



US00D516702S

(12) **United States Design Patent**
Flores

(10) **Patent No.:** **US D516,702 S**
(45) **Date of Patent:** **** Mar. 7, 2006**

(54) **PORTION OF A CEILING FAN HOUSING**

(75) Inventor: **Miguel Flores**, Riverside, CA (US)

(73) Assignee: **Minka Lighting, Inc.**, Corona, CA (US)

(**) Term: **14 Years**

(21) Appl. No.: **29/211,393**

(22) Filed: **Aug. 16, 2004**

(51) **LOC (8) Cl.** **23-04**

(52) **U.S. Cl.** **D23/411**

(58) **Field of Classification Search** D23/377,
D23/379, 385, 411, 413; 416/5; 392/364;
D26/59, 81–88, 72; 362/96

See application file for complete search history.

(56) **References Cited**

U.S. PATENT DOCUMENTS

D392,033 S	*	3/1998	Jaspers-Fayer	D23/377
D396,101 S	*	7/1998	Jaspers-Fayer	D23/377
D402,026 S	*	12/1998	Chuang et al.	D23/377
D484,233 S	*	12/2003	Bucher et al.	D23/377

OTHER PUBLICATIONS

Minka Aire; The Art of Air Management; Jan. 2000; Churchill Model; pp. 16–17.

Minka Aire; The Art of Air Management; Jan. 2000; Clasique Model; pp. 20–21.

Minka Aire; The Art of Air Management; Jan. 2002; Chantal Model; pp. 34–35.

Minka Aire; The Art of Air Management; Jan. 2004; Napoli Model; pp. 30–31.

Home Lighting & Accessories; Jun. 2004; Summer Collections/Savoy House Model; pp. 50–51.

Item No. 839142ST; Iron Pendant Similar Iron Scrollwork; Fine Art Lamps 2003.

Item No. Unknown; Similar Carved Scrollwork; from Montage Vini Collection; Montage 2003.

* cited by examiner

Primary Examiner—Lisa Lichtenstein

(74) *Attorney, Agent, or Firm*—Baker & McKenzie LLP

(57) **CLAIM**

The ornamental design for the portion of a ceiling fan housing, as shown and described.

DESCRIPTION

FIG. 1 is a perspective view from below of a portion of a ceiling fan housing in accordance with my design;

FIG. 2 is an enlarged perspective view from below of the portion of a ceiling fan housing in accordance with my design;

FIG. 3 is a reduced bottom plan view of the portion of a ceiling fan housing in accordance with my design;

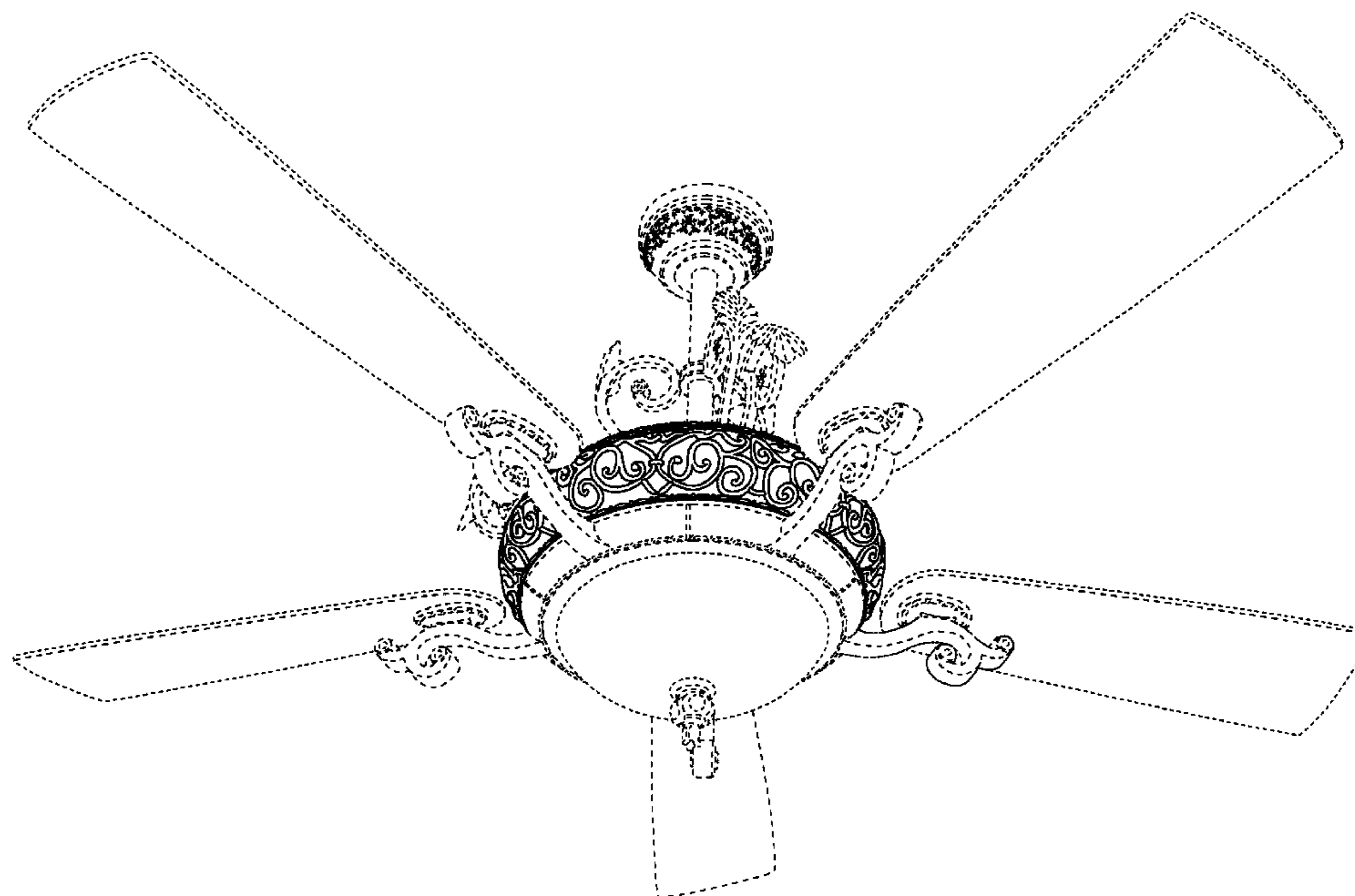
FIG. 4 is a reduced top plan view of the portion of a ceiling fan housing in accordance with my design;

FIG. 5 is a front elevation view of the portion of a ceiling fan housing in accordance with my design; and,

FIG. 6 is a side elevation view of the portion of a ceiling fan housing in accordance with my design.

The broken lines showing environmental structure are for illustrative purposes and form no part of the claimed design.

1 Claim, 6 Drawing Sheets



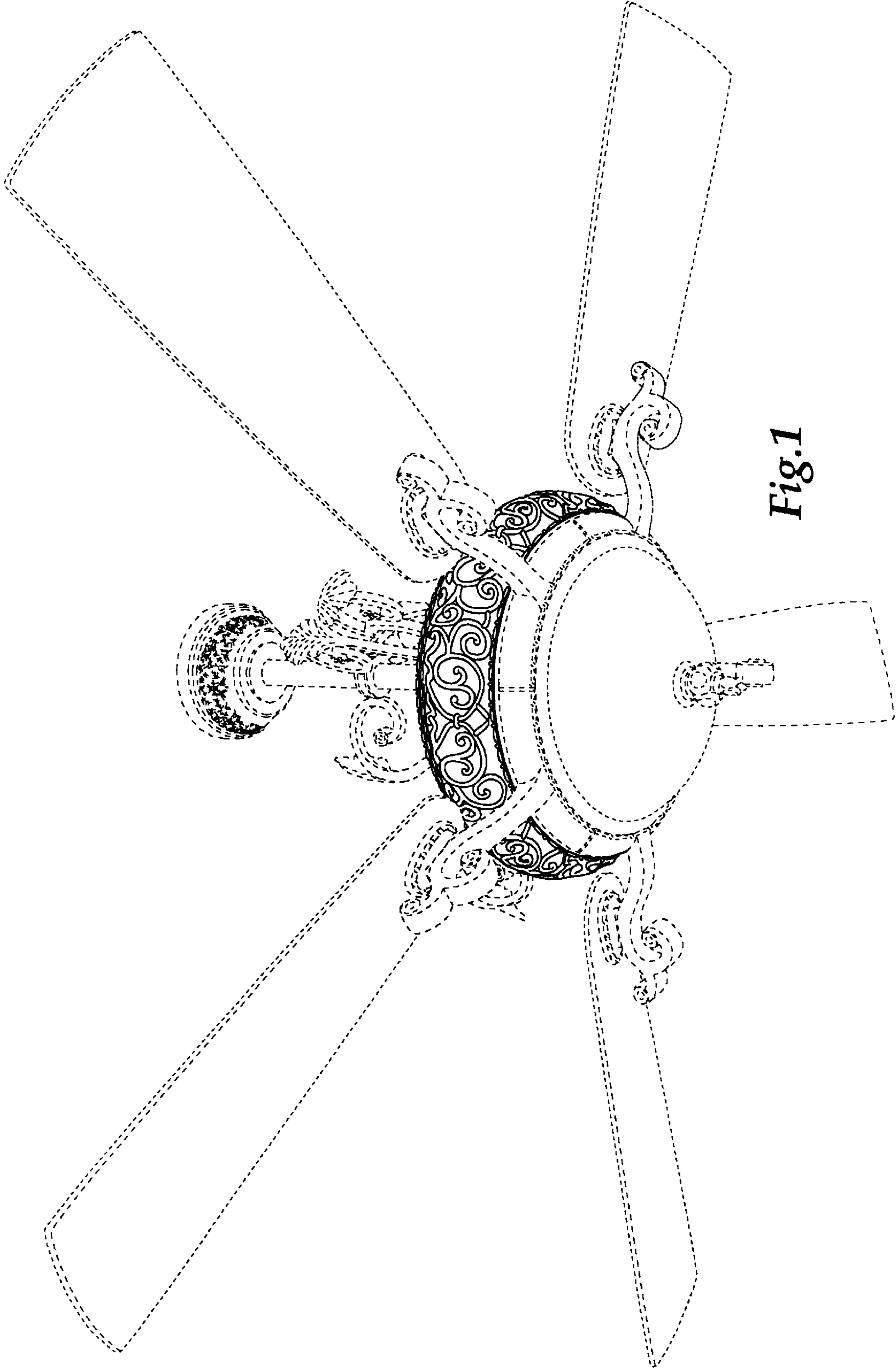


Fig. 1

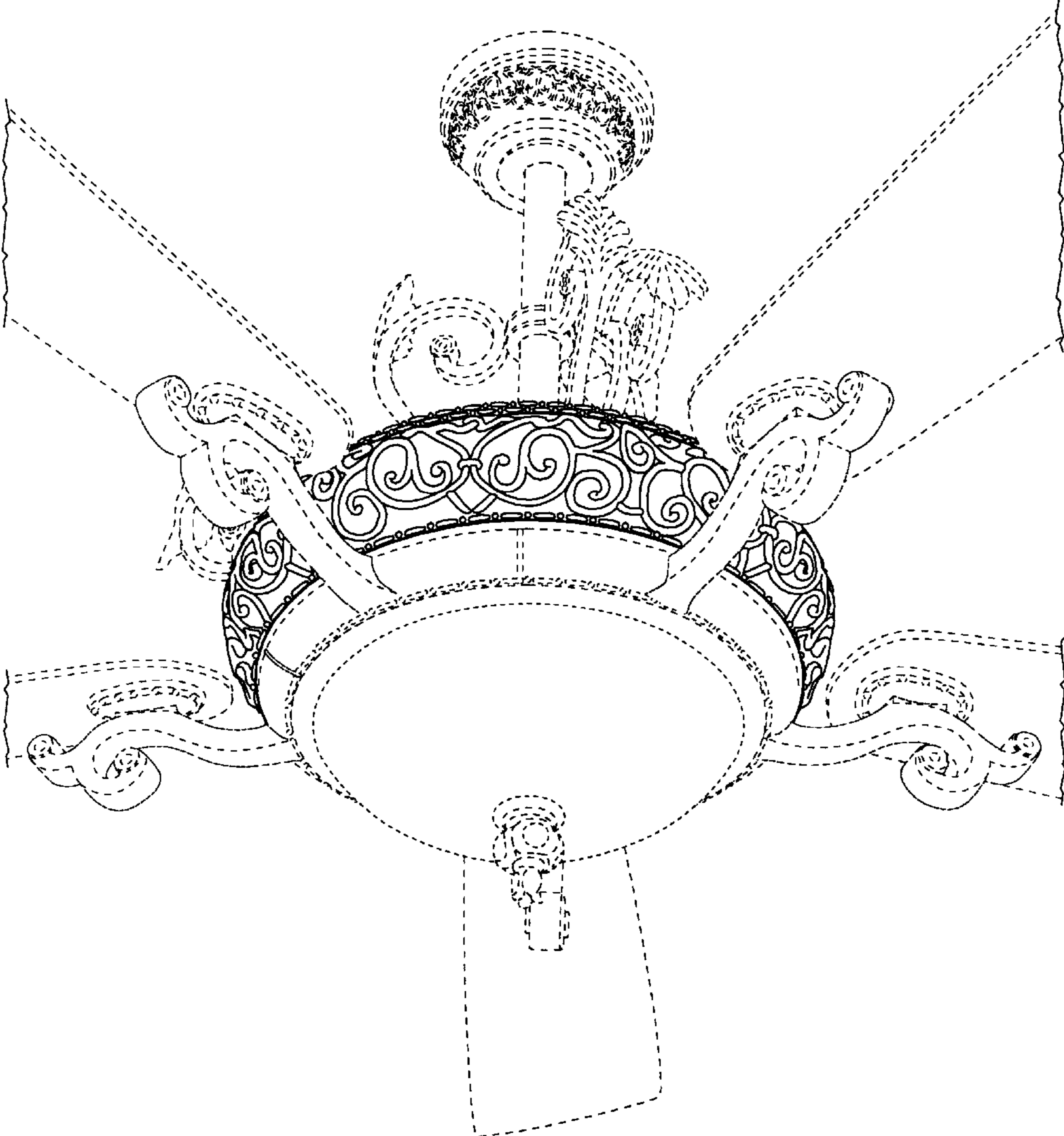


Fig.2

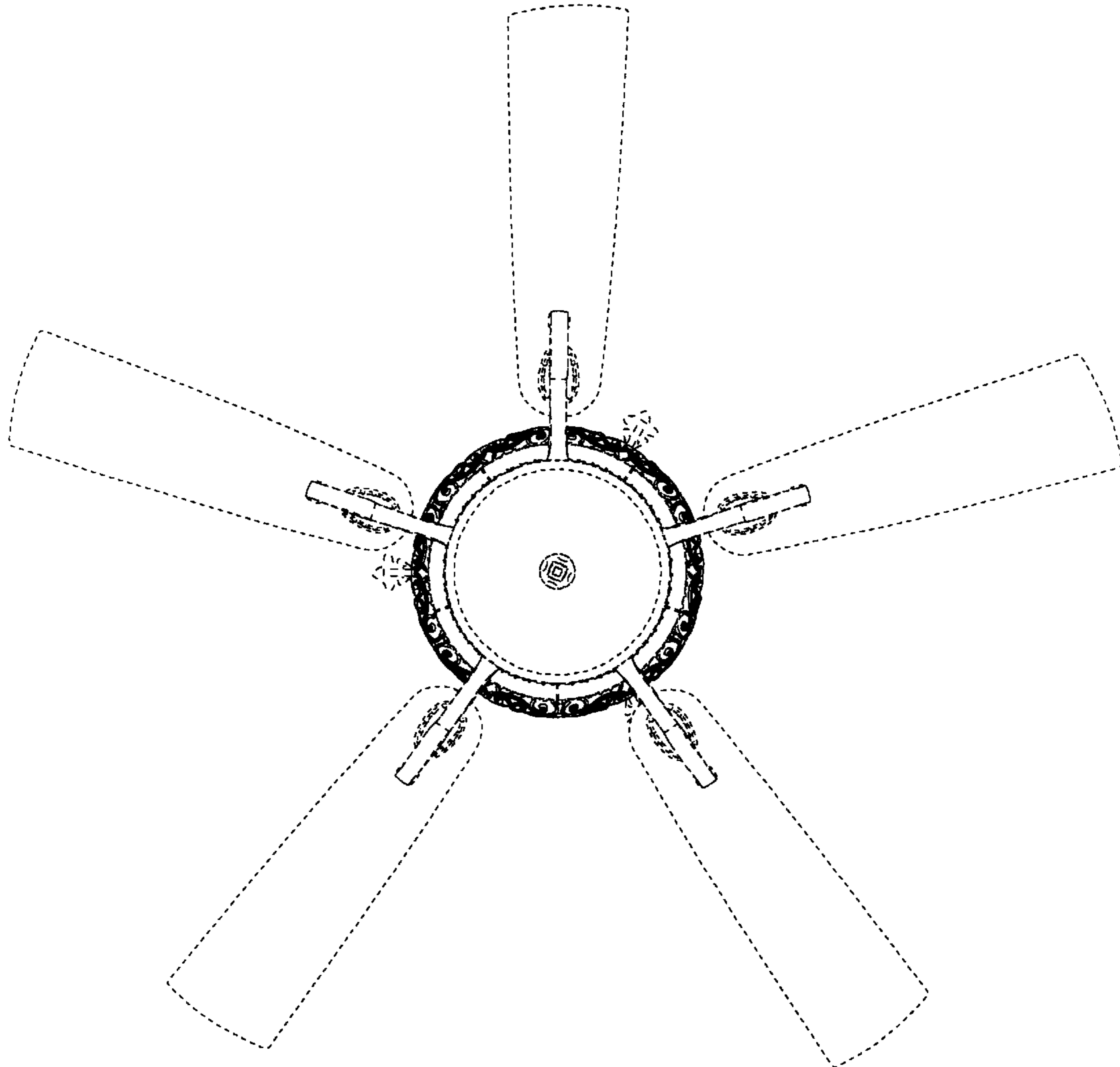


Fig.3

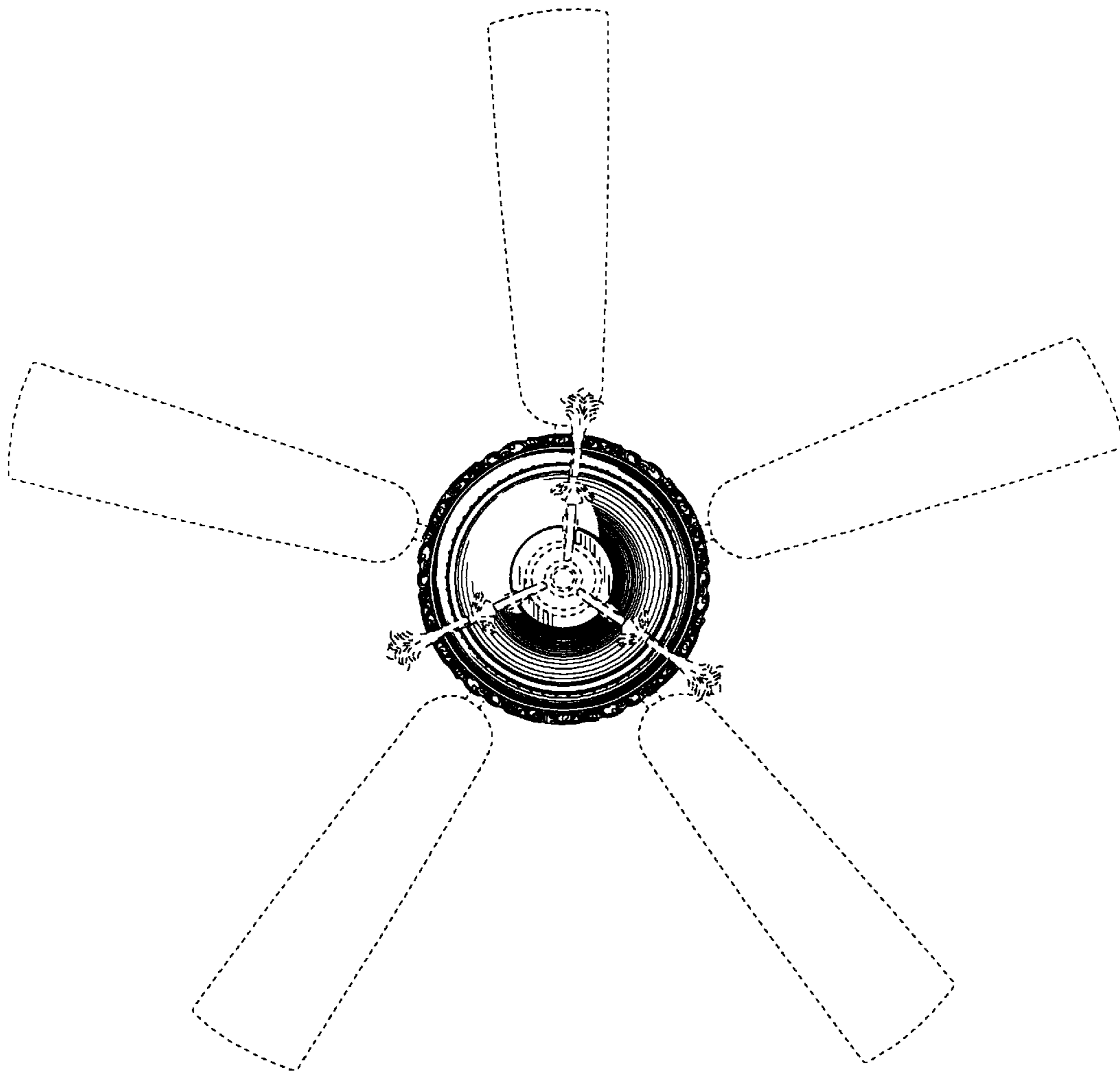


Fig.4

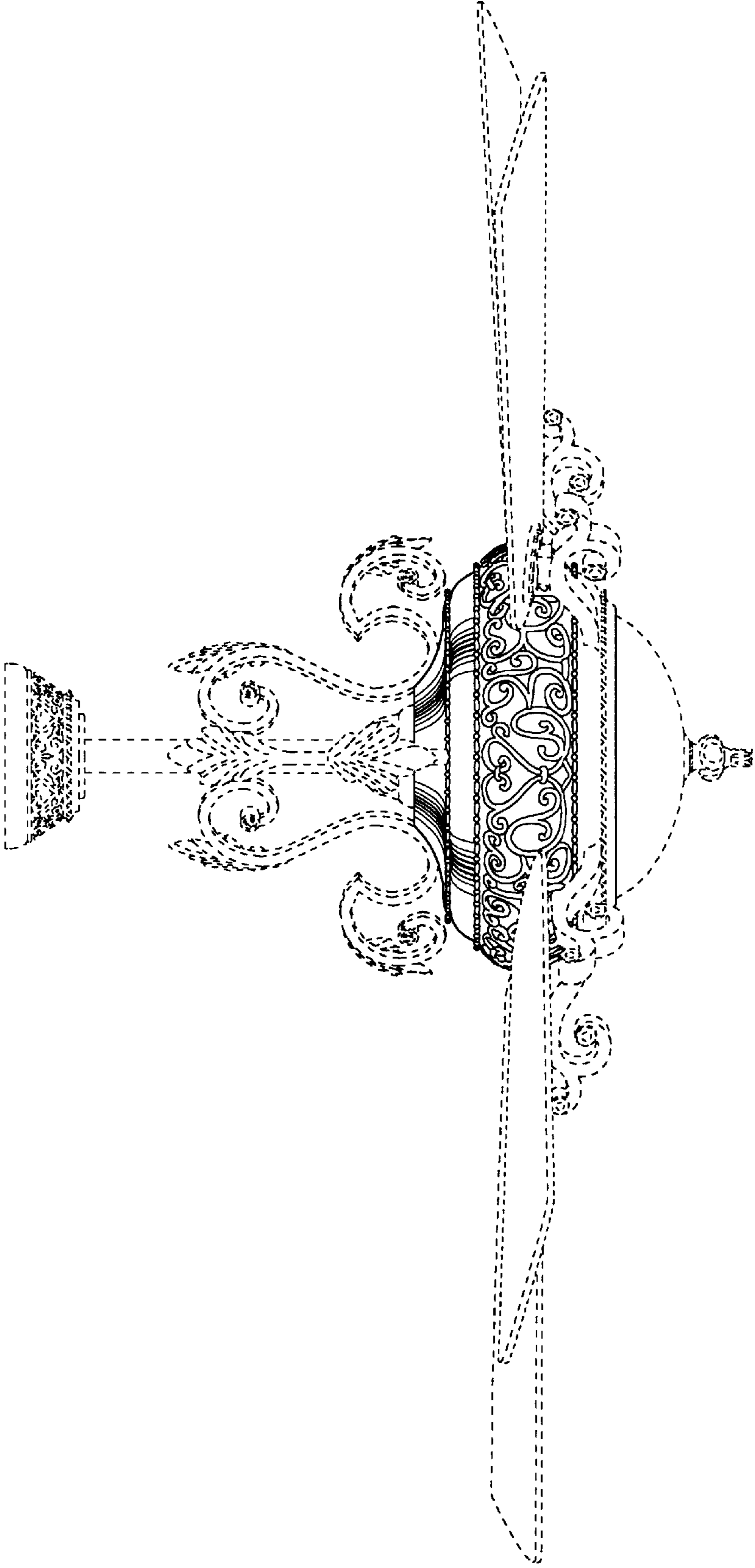


Fig.5

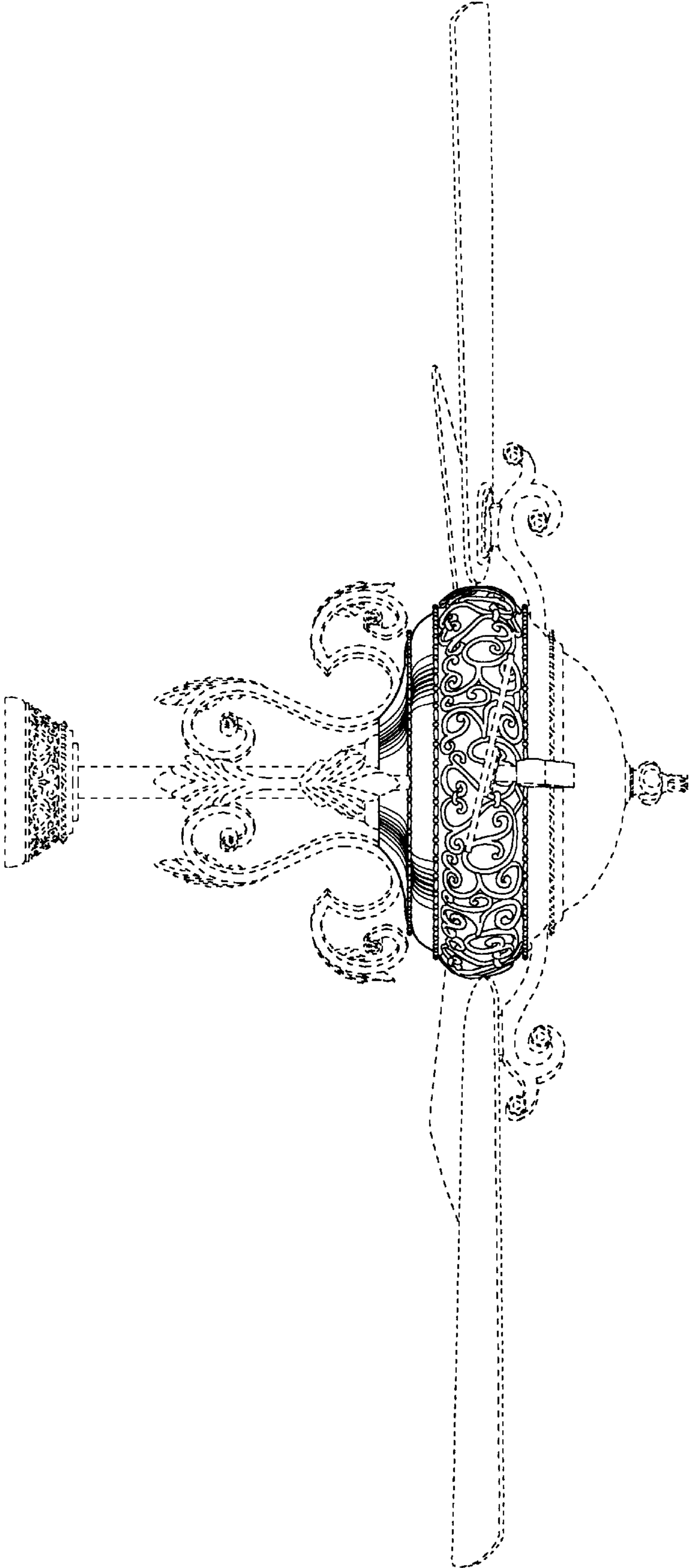


Fig.6