

US00D516699S

(12) **United States Design Patent** (10) **Patent No.:** **US D516,699 S**
Schlosser et al. (45) **Date of Patent:** **** Mar. 7, 2006**

(54) **OUTDOOR FIREPLACE**
(75) Inventors: **Erich J. Schlosser**, Barrington, IL (US); **Adrian A. Bruno**, Rolling Meadows, IL (US); **Charles Y. Choi**, Chicago, IL (US)
(73) Assignee: **Weber-Stephen Products Co.**, Palatine, IL (US)
(**) Term: **14 Years**
(21) Appl. No.: **29/201,518**
(22) Filed: **Mar. 16, 2004**
(51) **LOC (8) Cl.** **23-03**
(52) **U.S. Cl.** **D23/398**
(58) **Field of Classification Search** D23/398, D23/348, 343, 350, 317, 342, 346, 403; 126/120, 126/58, 121, 500, 25, 550, 519, 555, 9 R, 126/9 A; D7/332, 337
See application file for complete search history.

6,065,467 A 5/2000 Martin
D427,298 S * 6/2000 Maust et al. D23/343
6,102,029 A 8/2000 Stephen et al.
6,142,143 A 11/2000 Martin
6,220,240 B1 4/2001 Grady et al.
6,283,114 B1 9/2001 Geibel et al.
6,286,503 B1 9/2001 Bach et al.
6,354,288 B1 3/2002 McDonald
D455,206 S 4/2002 Davis et al.
6,385,881 B1 5/2002 Hess
6,439,225 B2 8/2002 Bach et al.
6,488,025 B1 12/2002 Cunningham
6,790,033 B2 9/2004 Grady et al.
2001/0032642 A1 10/2001 Bach et al.

OTHER PUBLICATIONS

Instructional annual for Coleman Gas Log Patio Hearth, Model 5076 Series, The Coleman Company, Inc., 2001, pp. 1-8.
Variety of outdoor fireplaces; published at least as early as Mar. 15, 2004; 2 pages.

* cited by examiner

Primary Examiner—Louis S. Zarfaz
Assistant Examiner—Susan Bennett Hattan
(74) *Attorney, Agent, or Firm*—Wallenstein Wagner & Rockey Ltd.

(56) **References Cited**
U.S. PATENT DOCUMENTS

1,224,157 A 5/1917 Fry
1,735,151 A 11/1929 Blaskewitz et al.
3,494,349 A 2/1970 Allen
3,742,189 A 6/1973 Conroy et al.
3,805,762 A 4/1974 Nelson
3,871,355 A 3/1975 Henry
4,233,890 A 11/1980 Jansen
4,245,505 A 1/1981 Baynes
4,485,972 A 12/1984 Freber
D293,191 S 12/1987 Stephen et al.
4,924,846 A 5/1990 Peacock et al.
5,076,257 A 12/1991 Raymer et al.
5,094,223 A 3/1992 Gonzalez
5,127,824 A 7/1992 Barker
5,598,834 A 2/1997 Grady
5,645,043 A 7/1997 Long et al.
5,738,084 A 4/1998 Hussong
5,832,915 A * 11/1998 Skidmore et al. 126/9 R
5,836,298 A 11/1998 Grady
5,848,585 A 12/1998 Long et al.
5,960,782 A 10/1999 Clements et al.
5,960,788 A 10/1999 Bach et al.
D420,115 S 2/2000 Bach et al.
6,044,836 A 4/2000 Oliver et al.

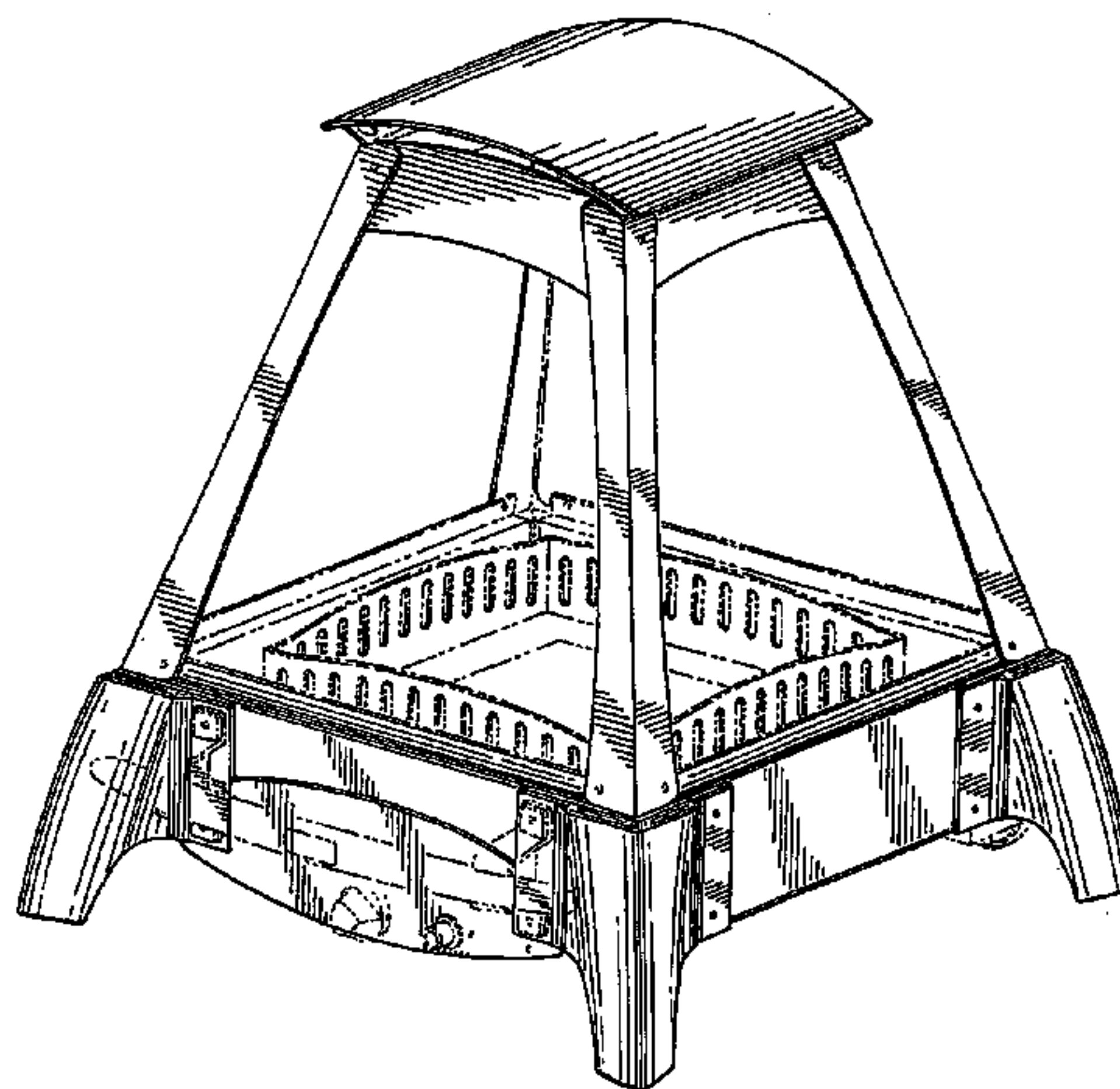
(57) **CLAIM**

The ornamental design for an outdoor fireplace, as shown and described.

DESCRIPTION

FIG. 1 is a front perspective view of the outdoor fireplace; FIG. 2 is a rear perspective view of the outdoor fireplace of FIG. 1; FIG. 3 is a front view of the outdoor fireplace of FIG. 1; FIG. 4 is a side plan view of the outdoor fireplace of FIG. 1, the opposite side view being the mirror image; FIG. 5 is a rear view of the outdoor fireplace of FIG. 1; FIG. 6 is a top view of outdoor fireplace of FIG. 1; and, FIG. 7 is a bottom elevation view of outdoor fireplace of FIG. 1.
The broken line showing of other features of the outdoor fireplace is for illustrative purposes only and forms no part of the claimed design.

1 Claim, 7 Drawing Sheets



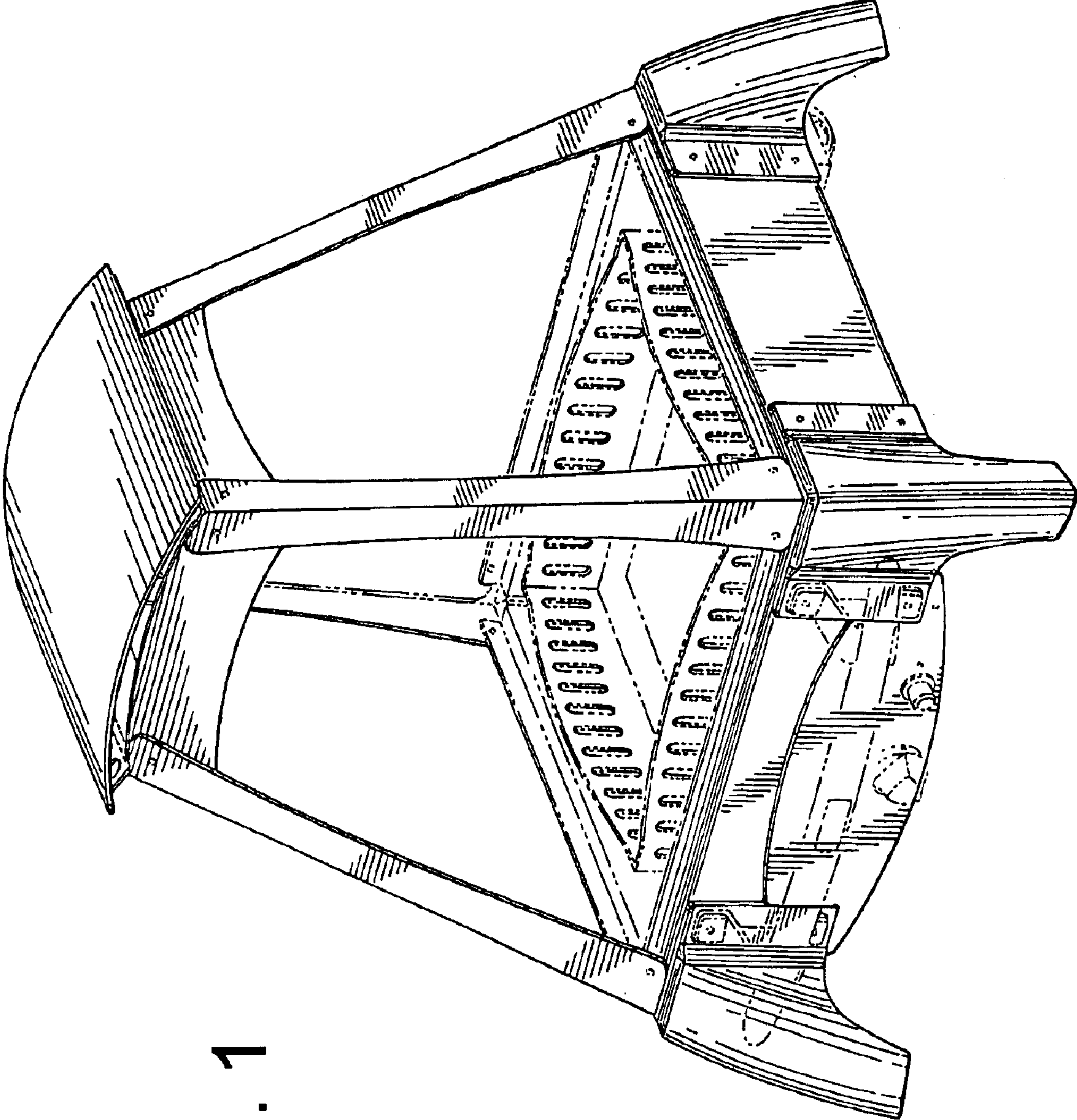


FIG. 1

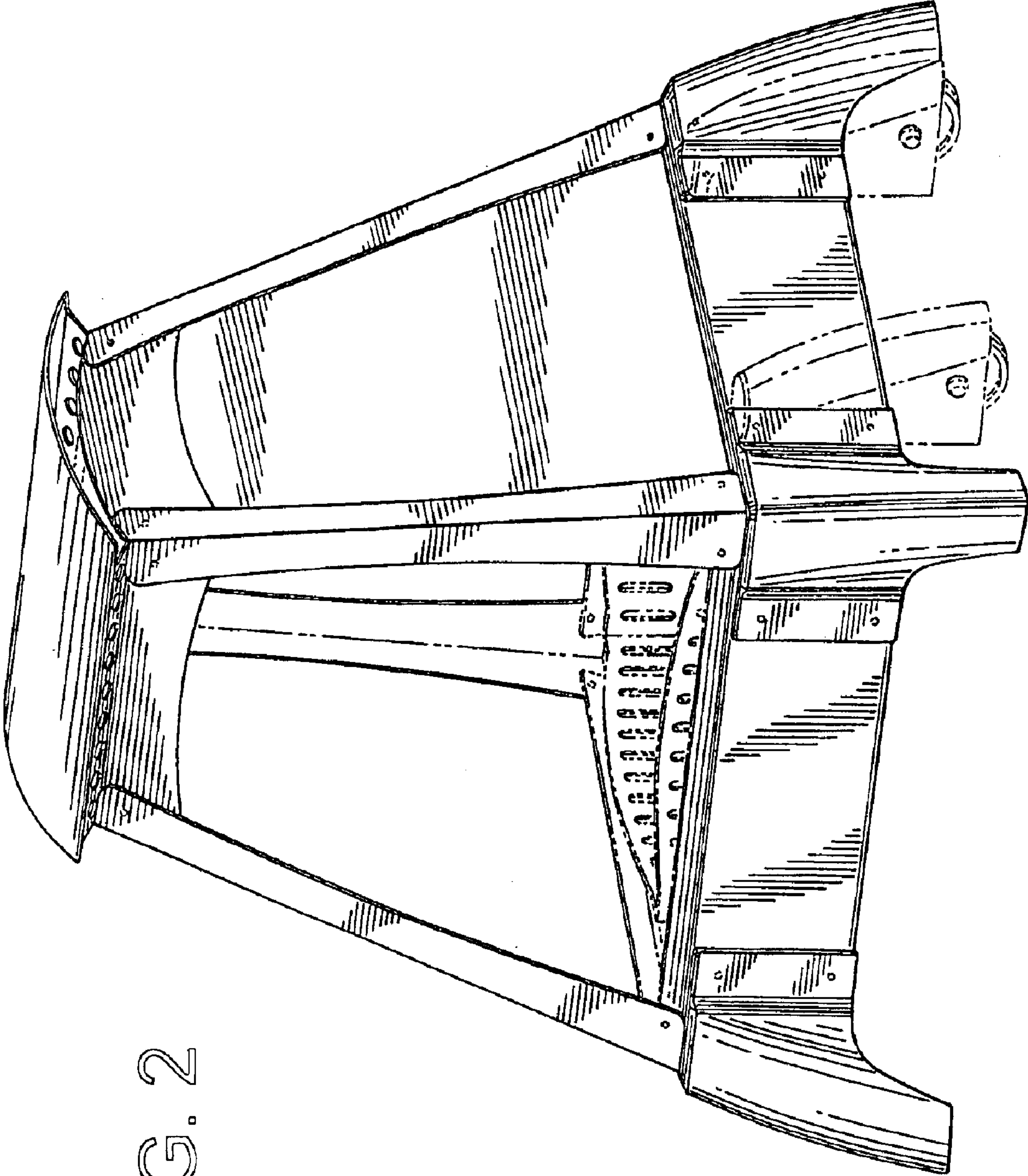


FIG. 2

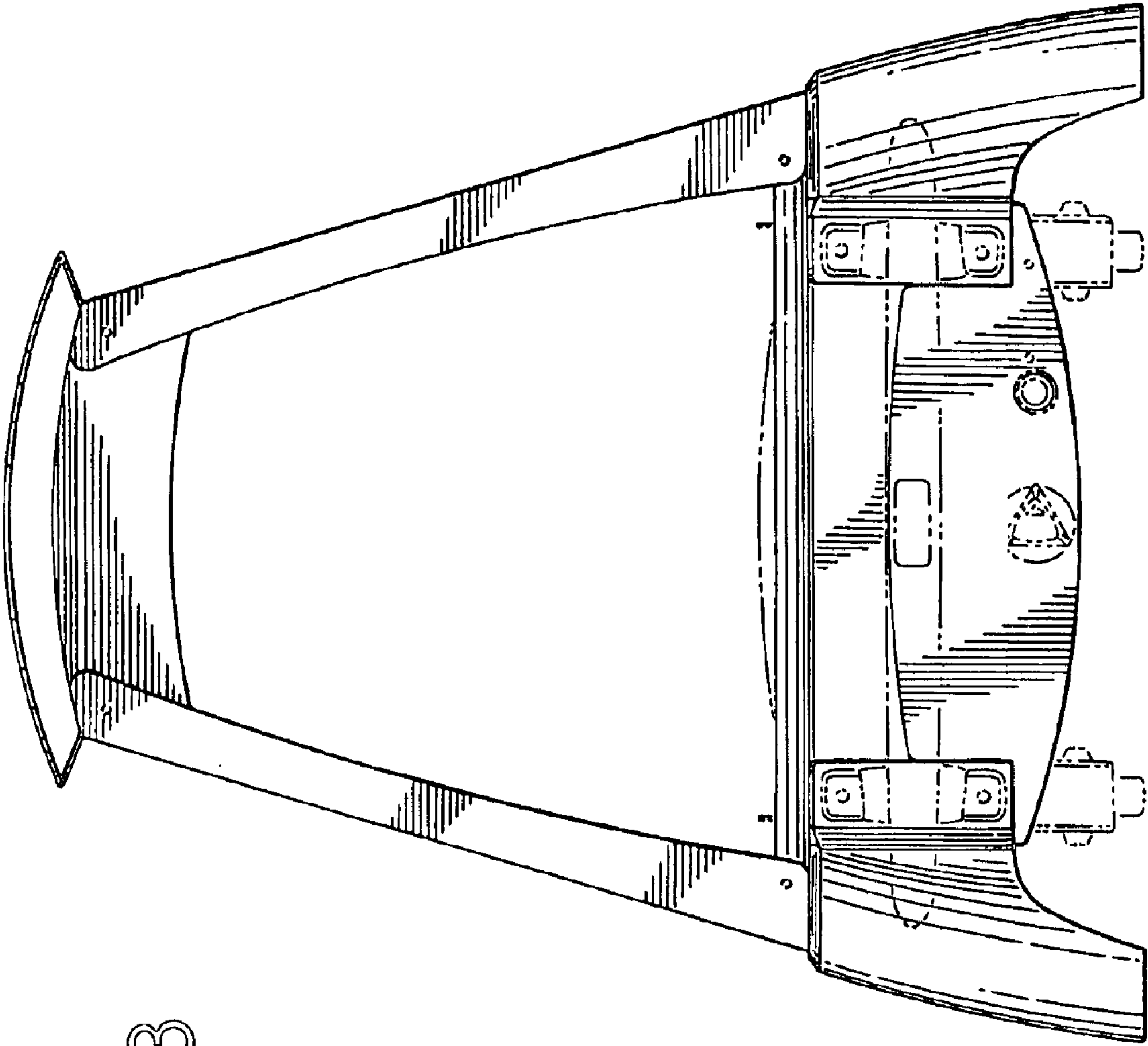


FIG. 3

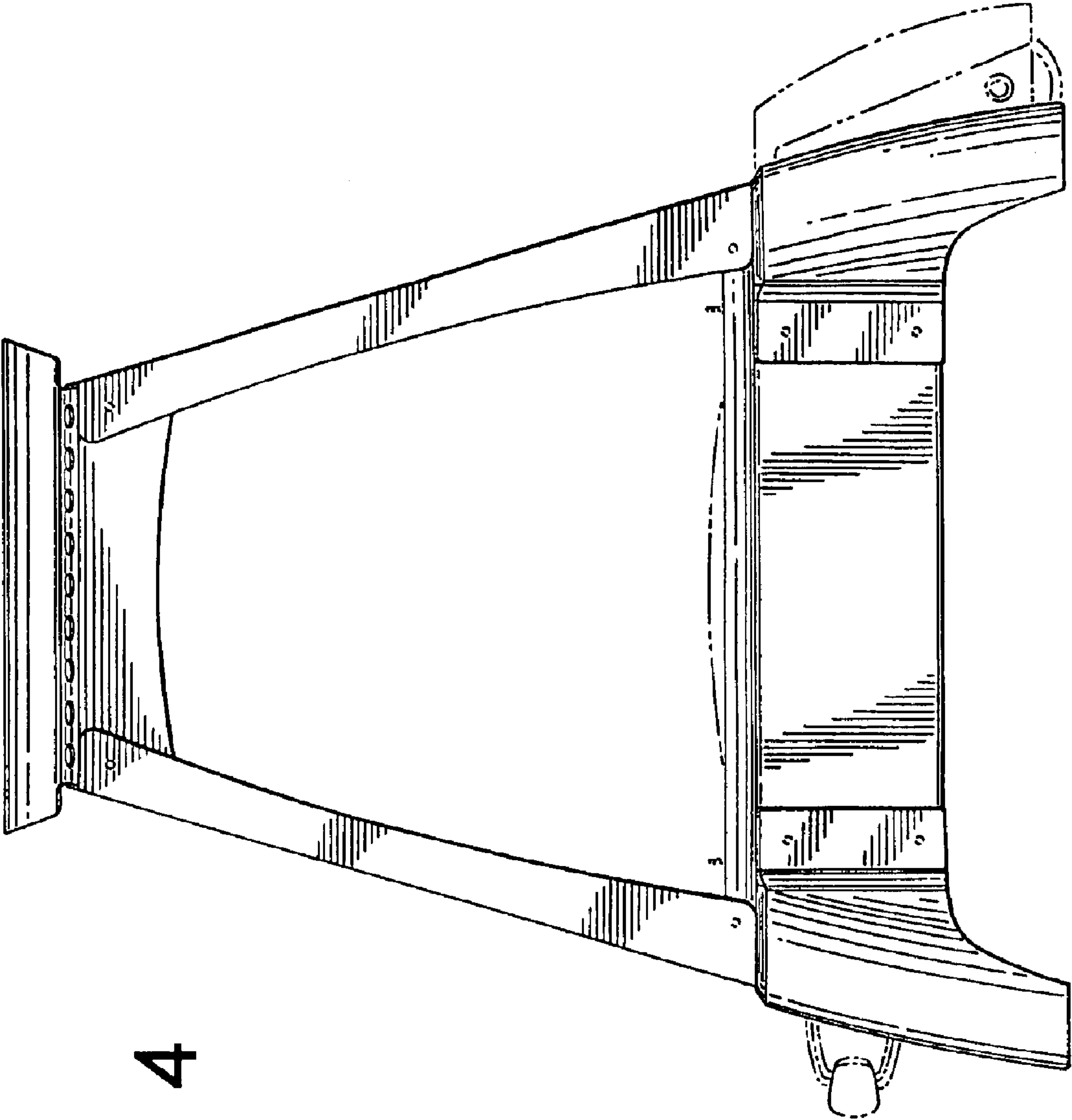


FIG. 4

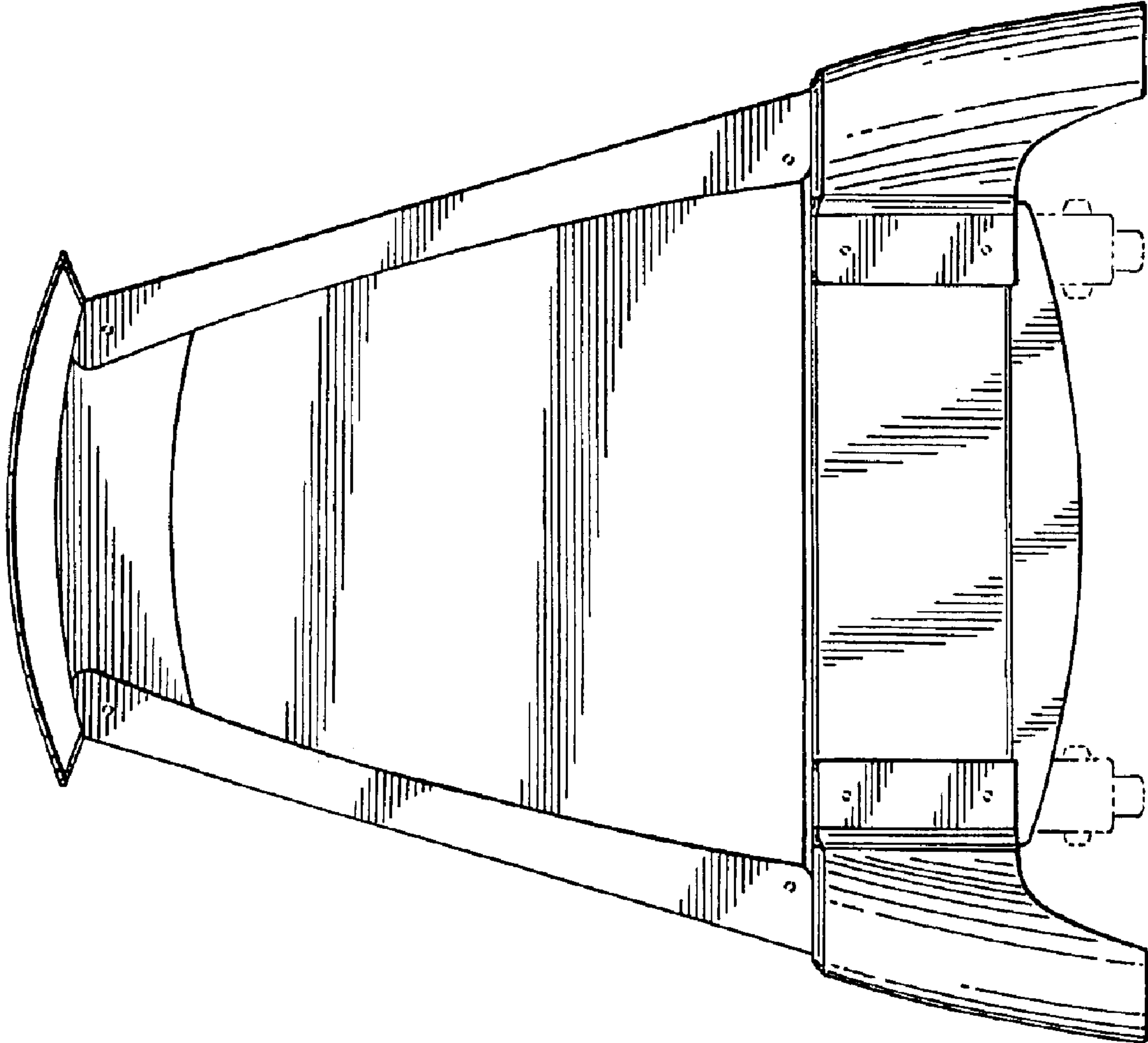


FIG. 5

FIG. 6

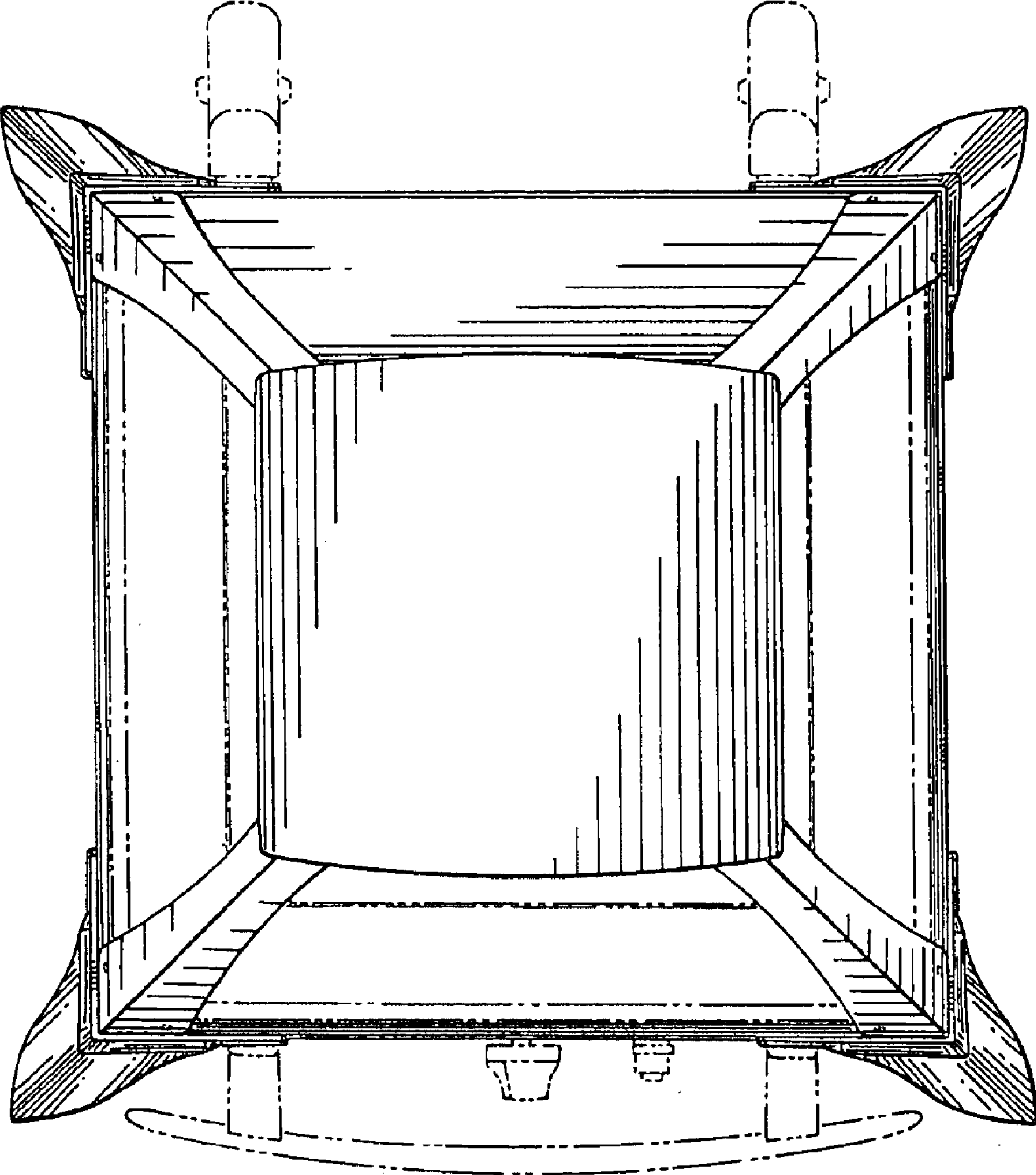


FIG. 7

