



US00D516698S

(12) **United States Design Patent** (10) **Patent No.:** **US D516,698 S**
Stout, Jr. et al. (45) **Date of Patent:** **** Mar. 7, 2006**

(54) **DUCT END PORTION**

(75) Inventors: **William K. Stout, Jr.**, Mason, OH (US); **Ammon W. Weaver**, Liberty, KY (US)

(73) Assignee: **Eastern Sheet Metal LLC**, Cincinnati, OH (US)

(**) Term: **14 Years**

(21) Appl. No.: **29/205,507**

(22) Filed: **May 14, 2004**

(51) **LOC (8) Cl.** **23-04**

(52) **U.S. Cl.** **D23/393**

(58) **Field of Classification Search** D23/393, D23/394, 354, 262, 269, 202; 285/414-415, 285/454, 424, 363-364; 29/890.15, 890.032
See application file for complete search history.

(56) **References Cited**

U.S. PATENT DOCUMENTS

3,749,425 A	7/1973	Howland	285/191
5,129,690 A	7/1992	Meinig et al.	285/363
5,599,600 A	2/1997	Rau	428/36.9
5,649,662 A	7/1997	Krichau et al.	228/128
D383,195 S *	9/1997	Sonden et al.	D23/262
D383,196 S *	9/1997	Sonden et al.	D23/202
D386,246 S *	11/1997	Sonden et al.	D23/262
5,983,496 A	11/1999	Hermanson	29/890.15
D446,298 S *	8/2001	Thurman	D23/393
6,289,706 B1	9/2001	Hermanson	72/82
6,301,781 B1	10/2001	Hermanson	29/890.15
D453,042 S	1/2002	Mattsson et al.	D23/393
D454,949 S	3/2002	Mattsson et al.	D23/393
D456,071 S	4/2002	Mattsson et al.	D23/393
D456,072 S	4/2002	Mattsson et al.	D23/393
D461,887 S	8/2002	Mattsson et al.	D23/393
D466,652 S *	12/2002	Thurman	D23/393
D475,781 S	6/2003	Mattsson et al.	D23/393
6,644,083 B2	11/2003	Pakker	72/86
6,758,502 B2 *	7/2004	Mattsson et al.	285/424
D504,503 S *	4/2005	Thurman	D23/393
2003/0160452 A1 *	8/2003	Mattsson et al.	285/424

* cited by examiner

Primary Examiner—Catherine R. Oliver

(74) *Attorney, Agent, or Firm*—Dinsmore & Shohl LLP

(57) **CLAIM**

The ornamental design for a duct end portion, as shown and described.

DESCRIPTION

FIG. 1 is a top plan view of a duct end portion showing a first embodiment of our design;

FIG. 2 is a front elevational view of the duct end portion of FIG. 1;

FIG. 3 is an enlarged view of portions of the duct end portion taken at view 3 of FIG. 2;

FIG. 4 is a right side elevational view of FIG. 1, with the left side elevational view being identical;

FIG. 5 is a bottom plan view of FIG. 1;

FIG. 6 is a top, left and front perspective view of FIG. 1;

FIG. 7 is an enlarged view of portions of the duct end portion taken at view 7 of FIG. 6;

FIG. 8 is an enlarged view of portions of the duct end portion taken at view 8 of FIG. 6;

FIG. 9 is an enlarged view of portions of the duct end portion taken at view 9 of FIG. 6;

FIG. 10 is a top plan view of a duct end portion showing a second embodiment of our design;

FIG. 11 is a front elevational view of the duct end portion of FIG. 10;

FIG. 12 is an enlarged view of portions of the duct end portion taken at view 12 of FIG. 11;

FIG. 13 is a right side elevational view of FIG. 10, with the left side elevational view being identical;

FIG. 14 is a bottom plan view of FIG. 10;

FIG. 15 is a top, left and front perspective view of FIG. 10;

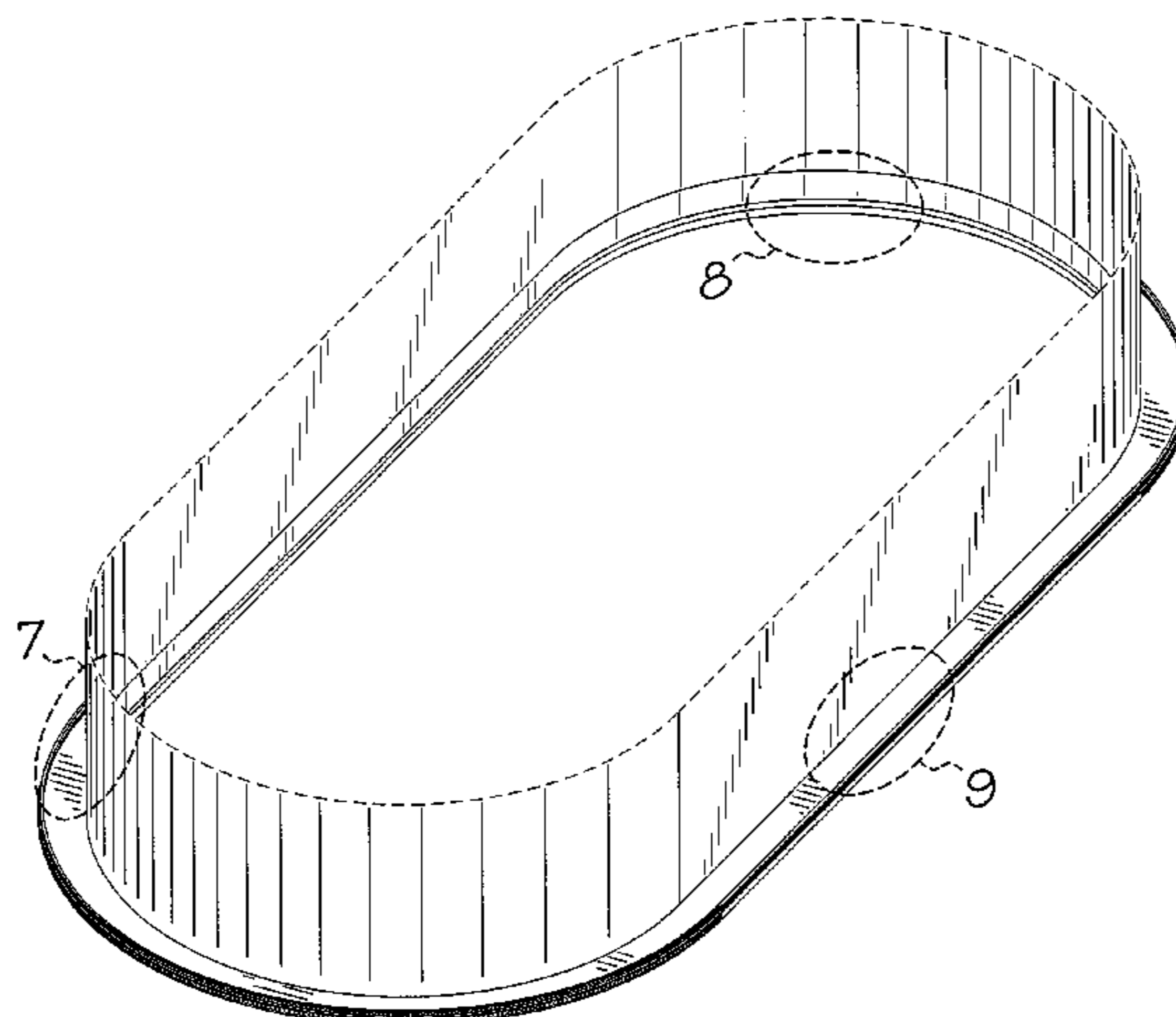
FIG. 16 is an enlarged view of portions of the duct end portion taken at view 16 of FIG. 15;

FIG. 17 is an enlarged view of portions of the duct end portion taken at view 17 of FIG. 15; and,

FIG. 18 is an enlarged view of portions of the duct end portion taken at view 18 of FIG. 15.

The broken lines which define the bounds of the claimed design form no part thereof.

1 Claim, 12 Drawing Sheets



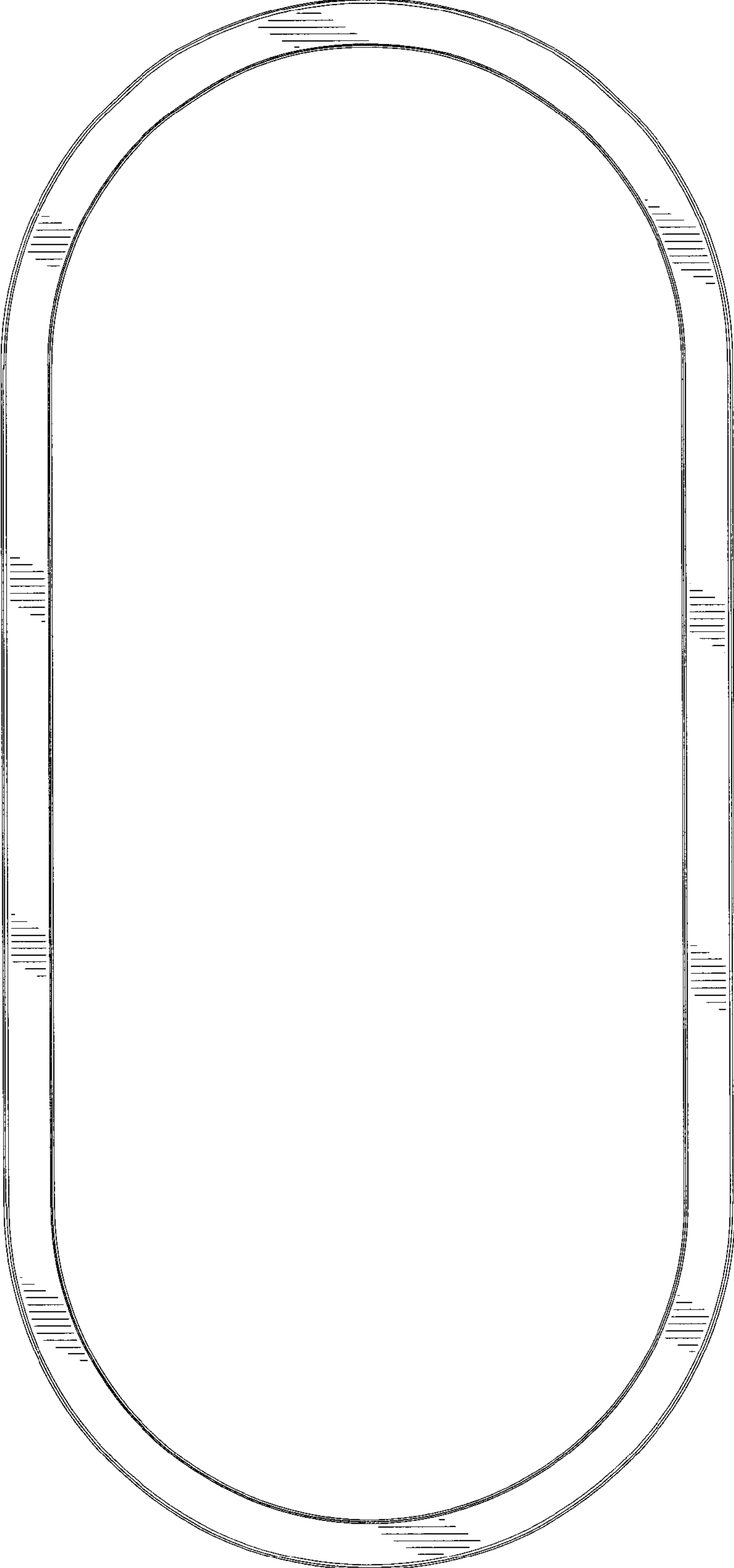


FIG. 1

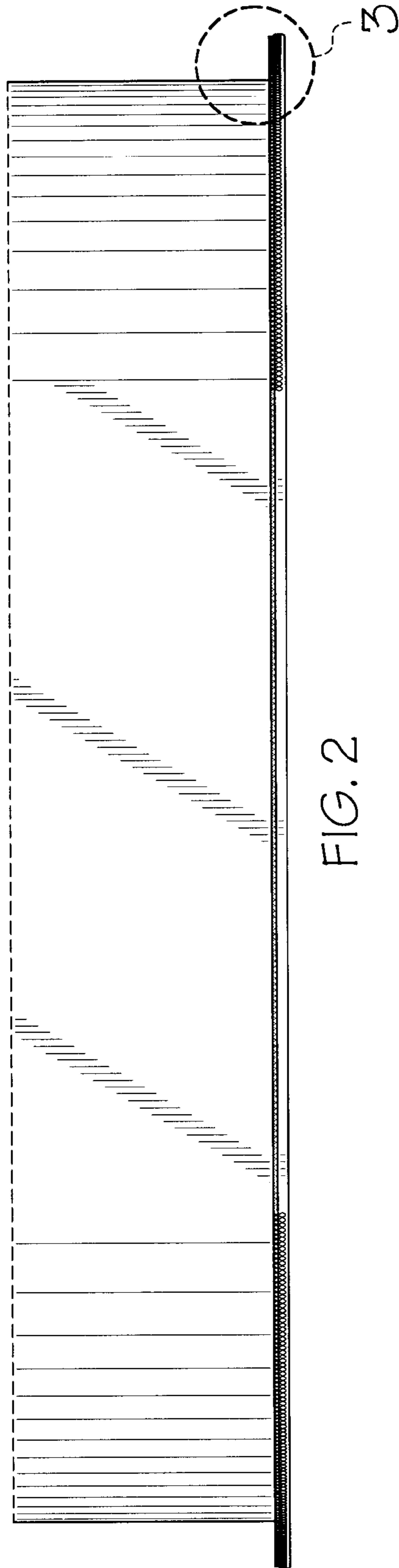


FIG. 2

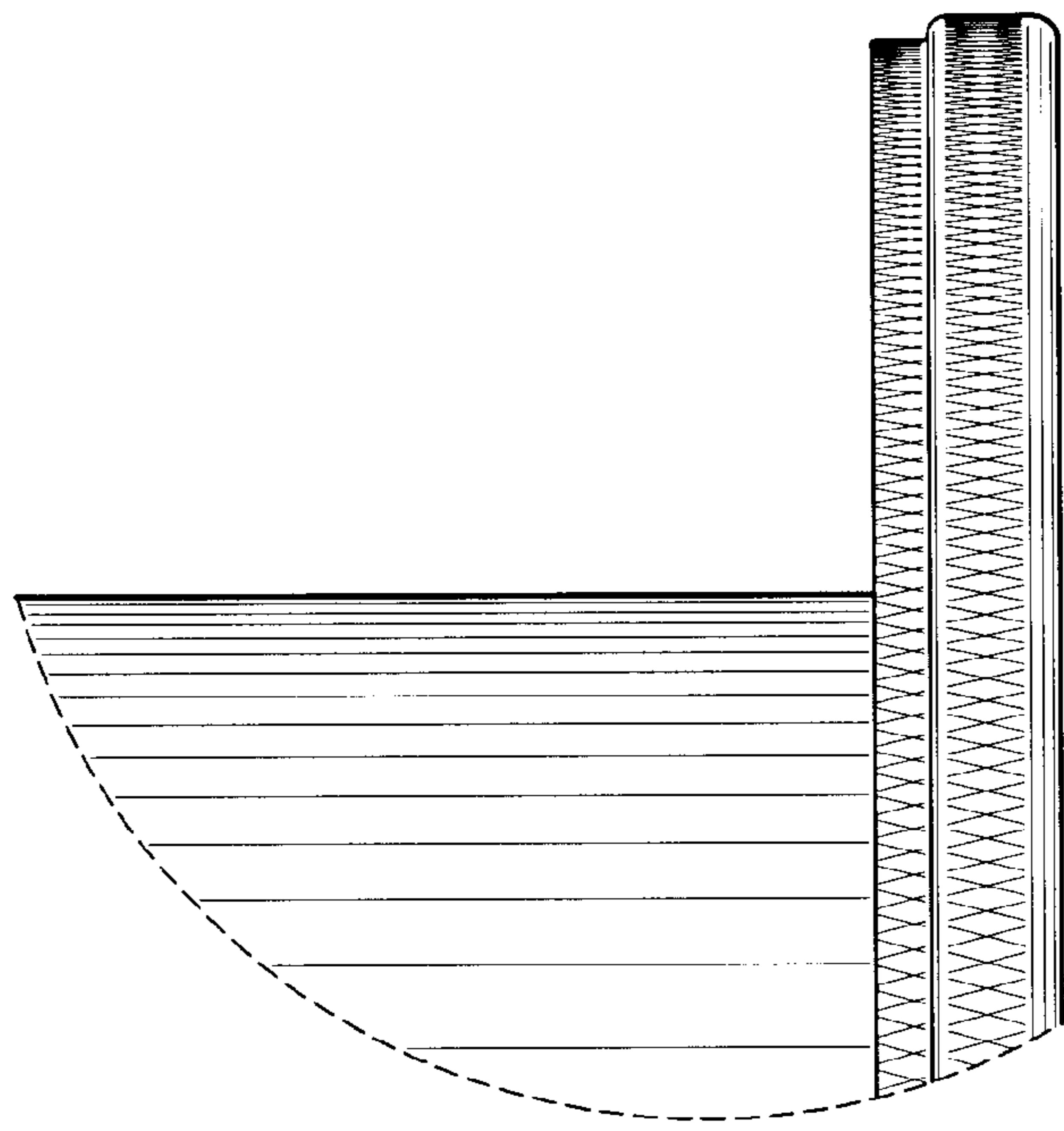


FIG. 3

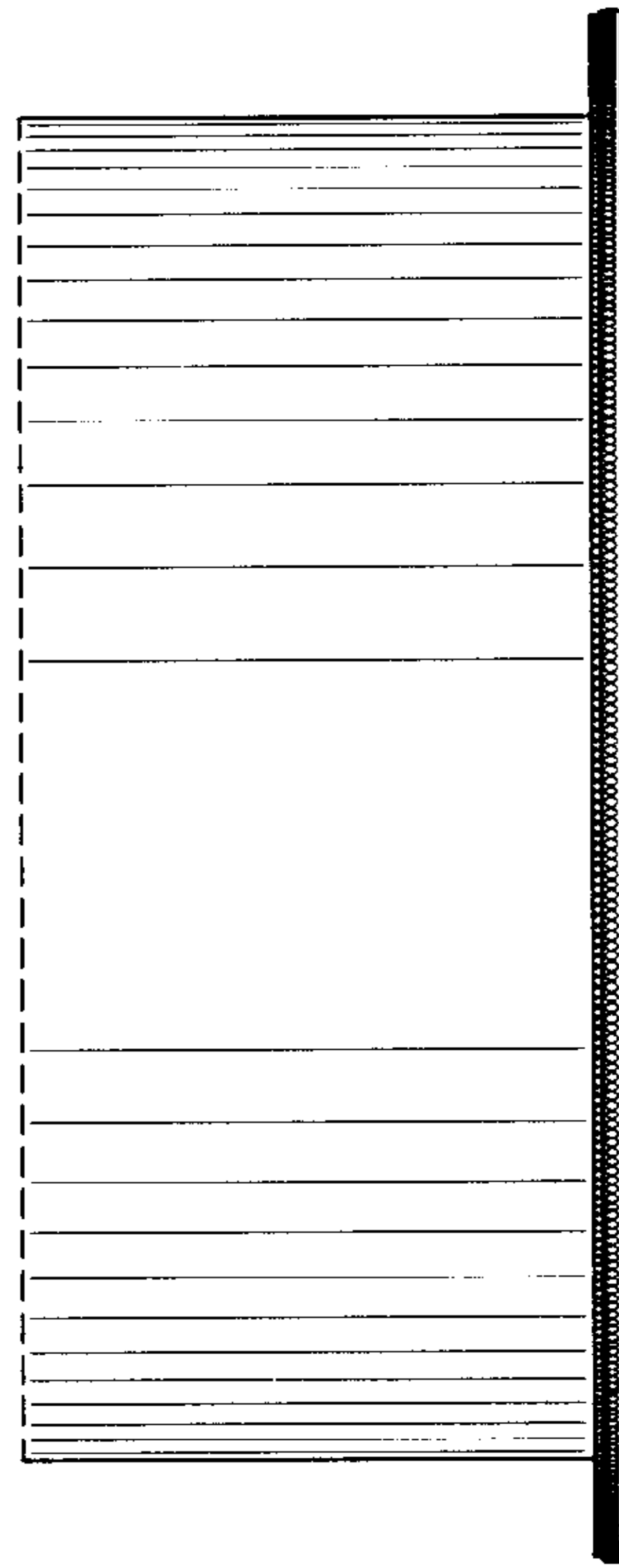


FIG. 4

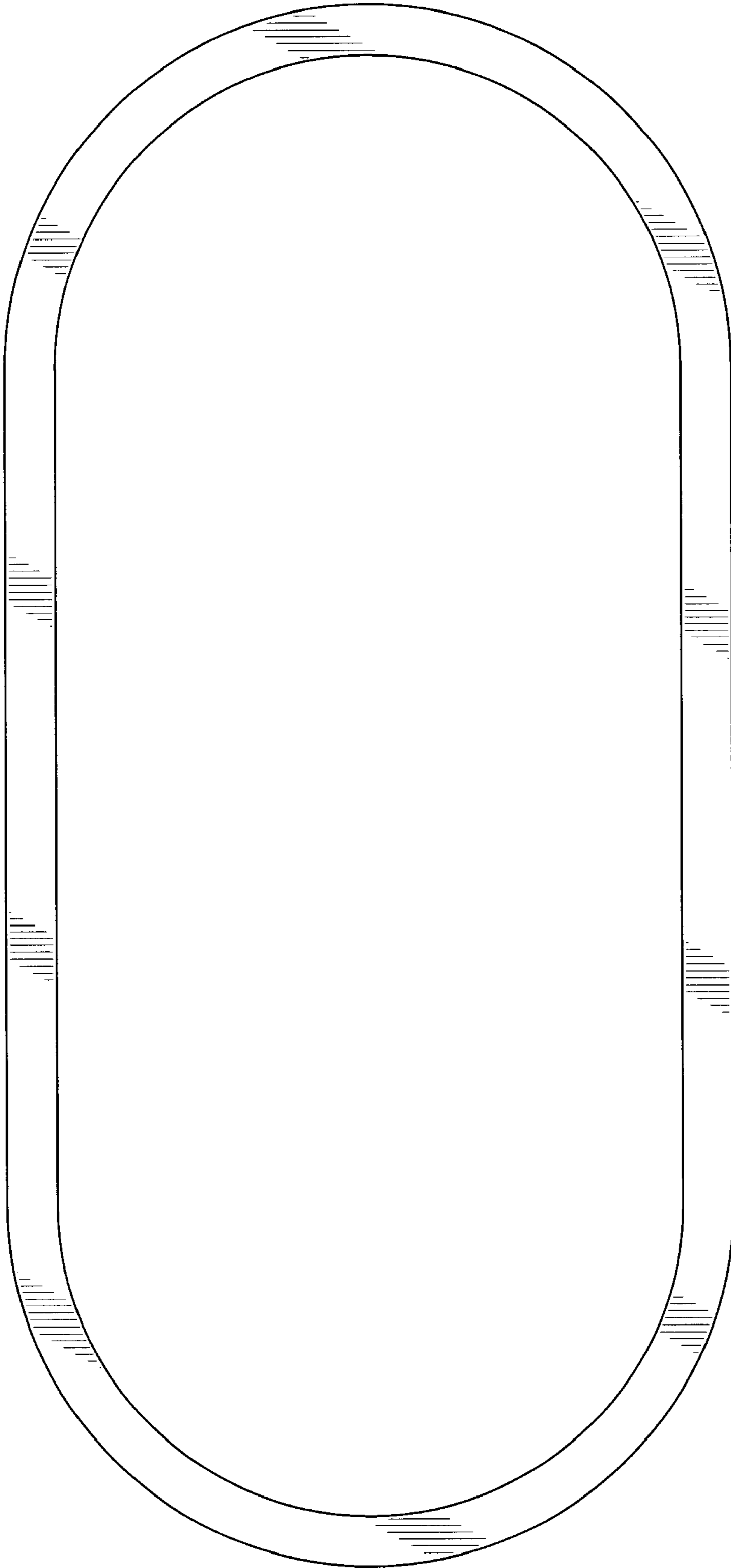
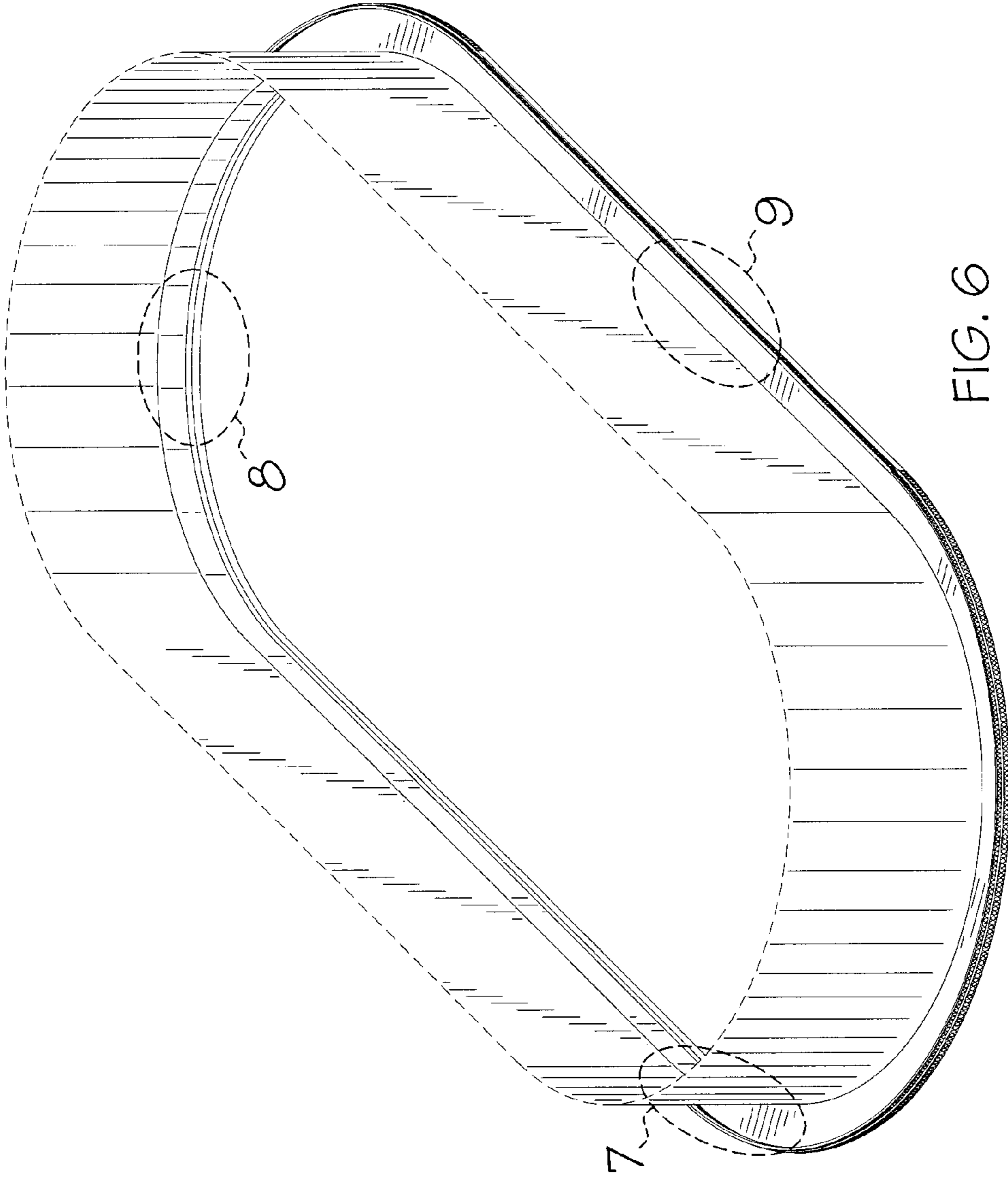


FIG. 5



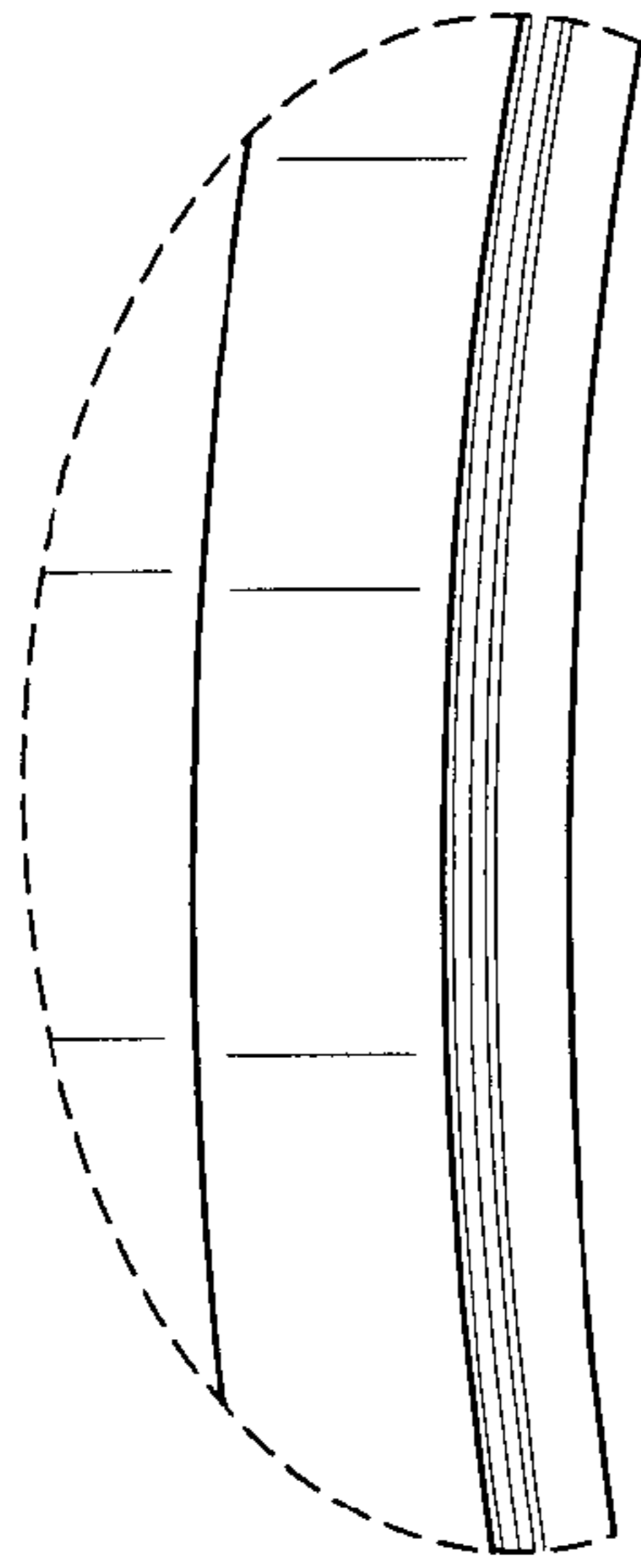


FIG. 8

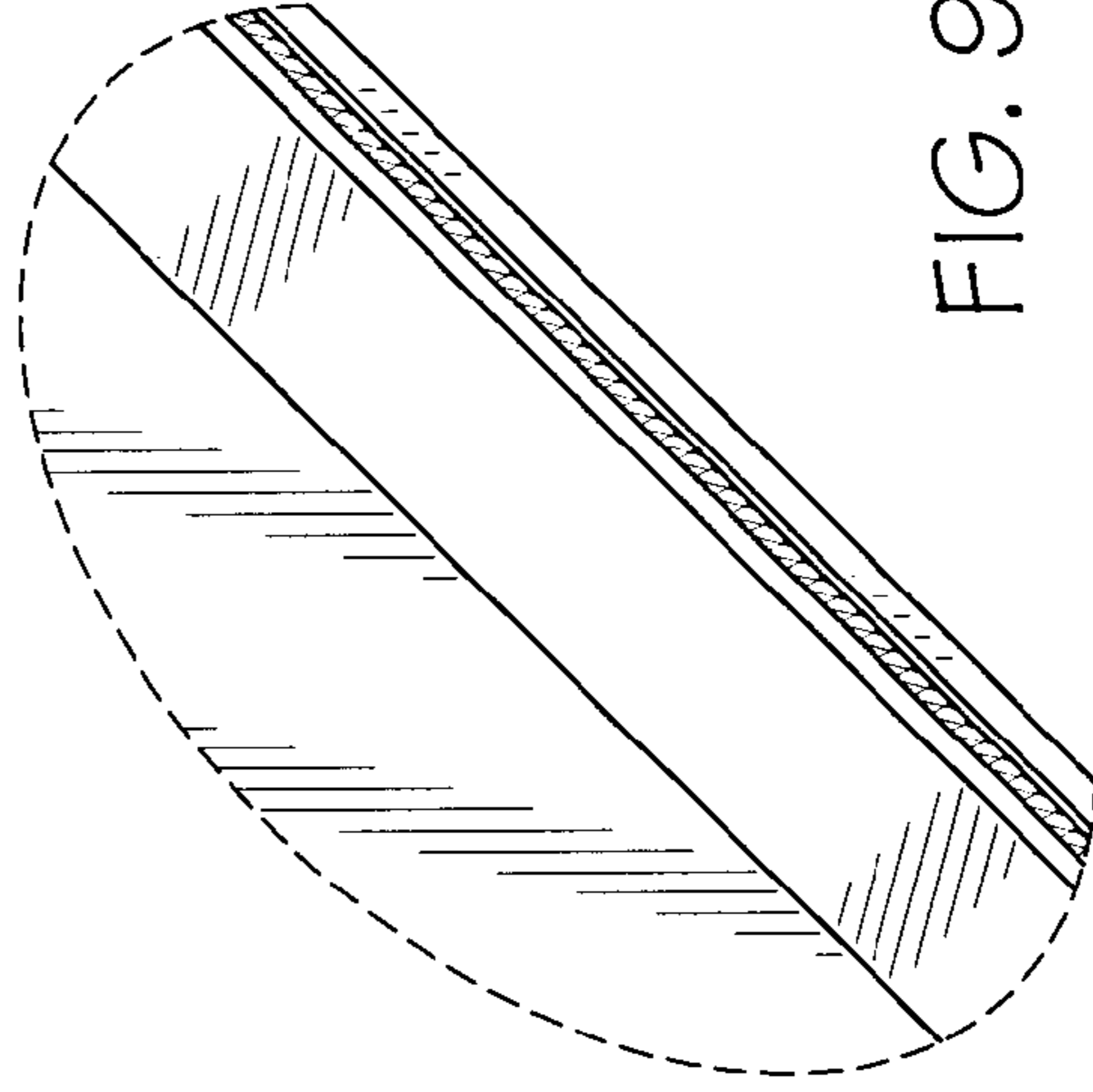


FIG. 9

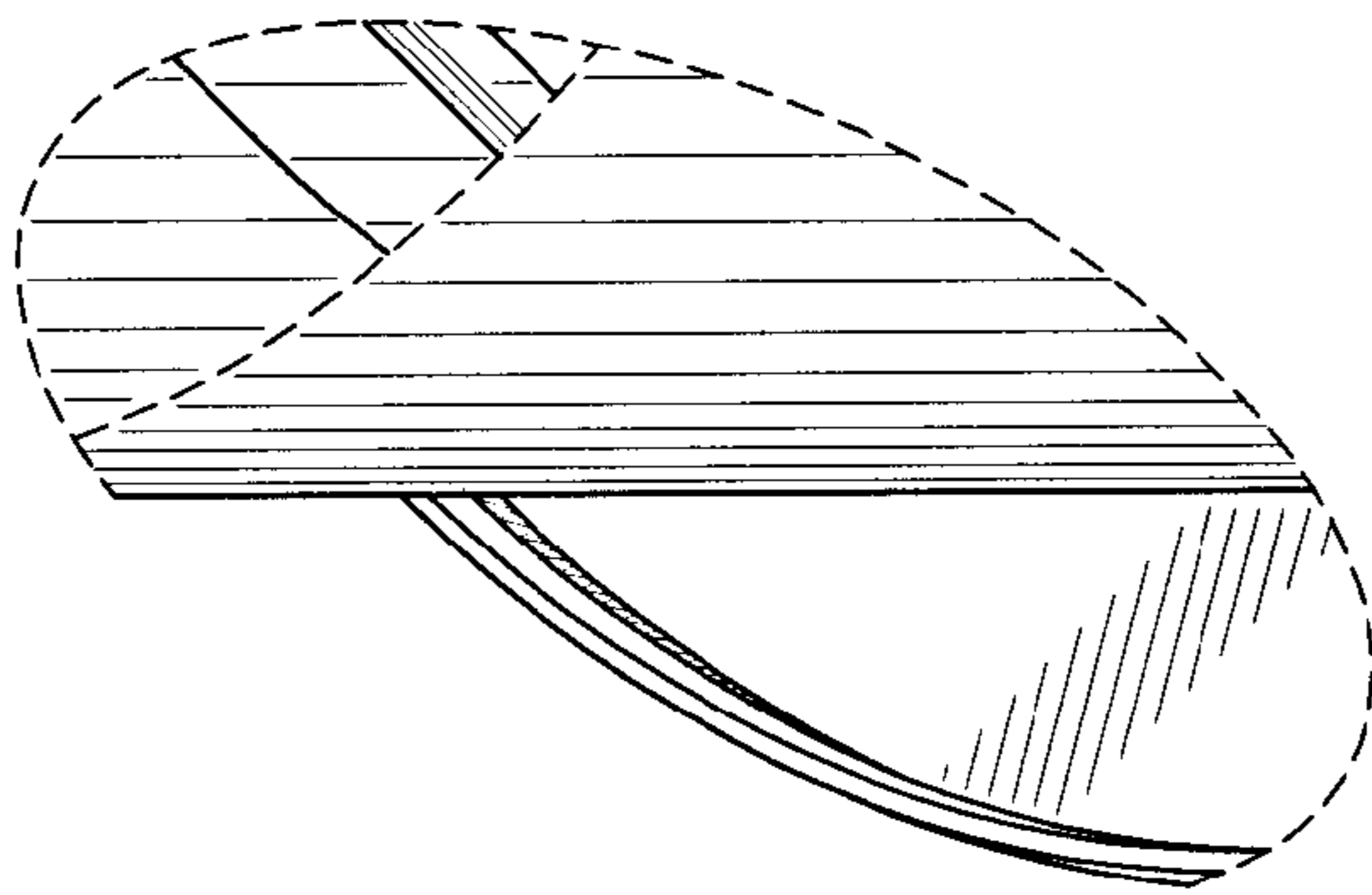


FIG. 7

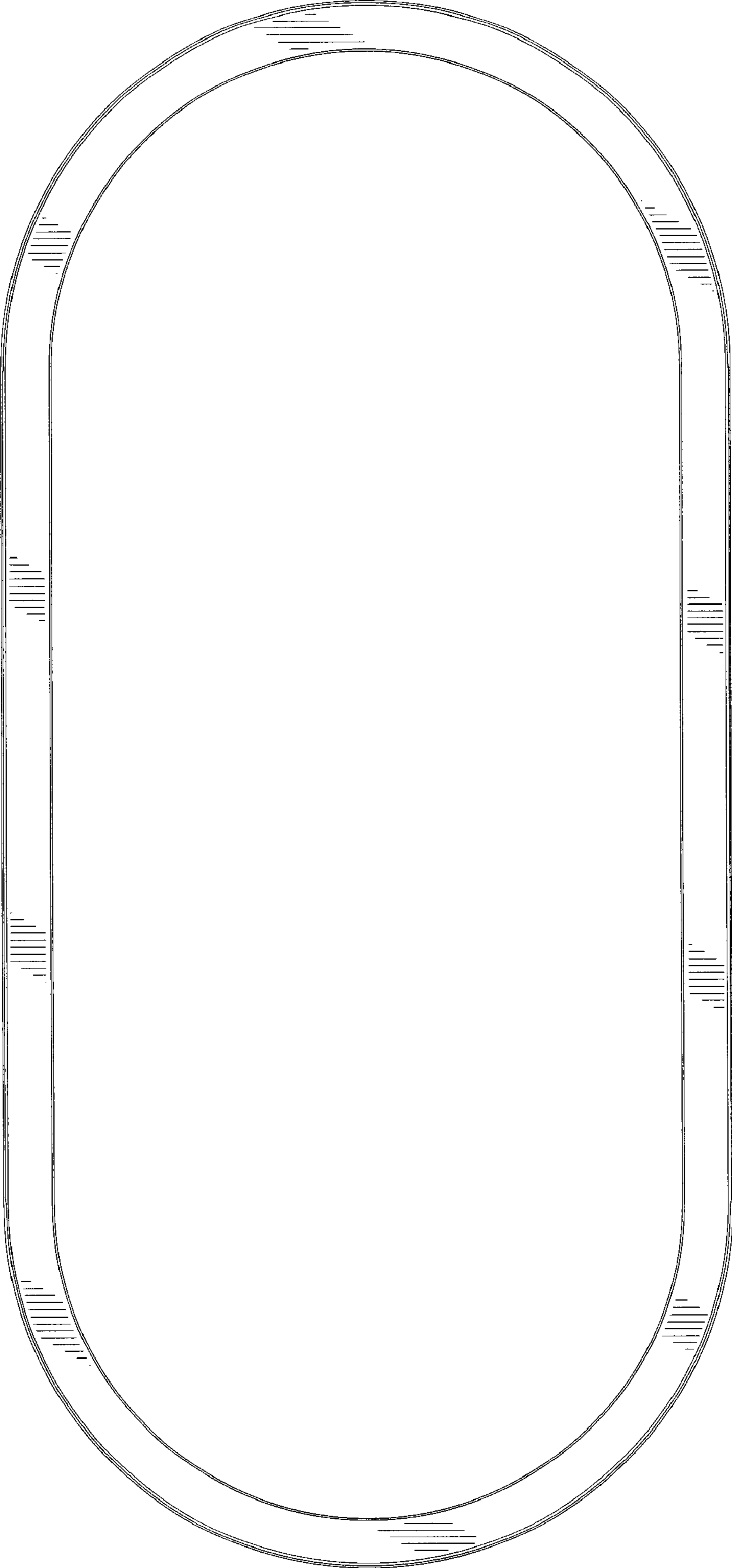


FIG. 10

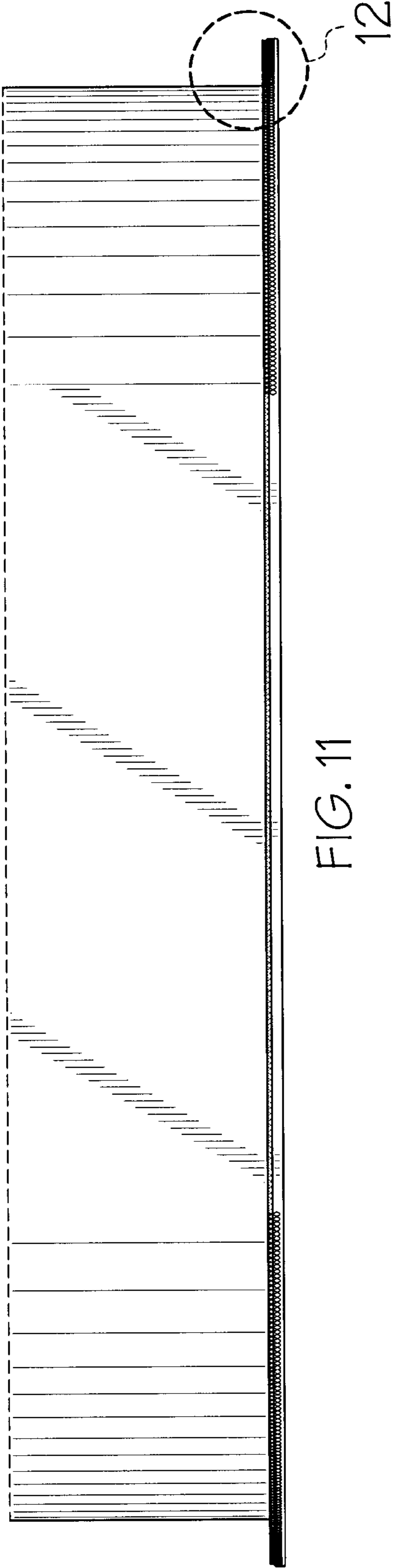


FIG. 11

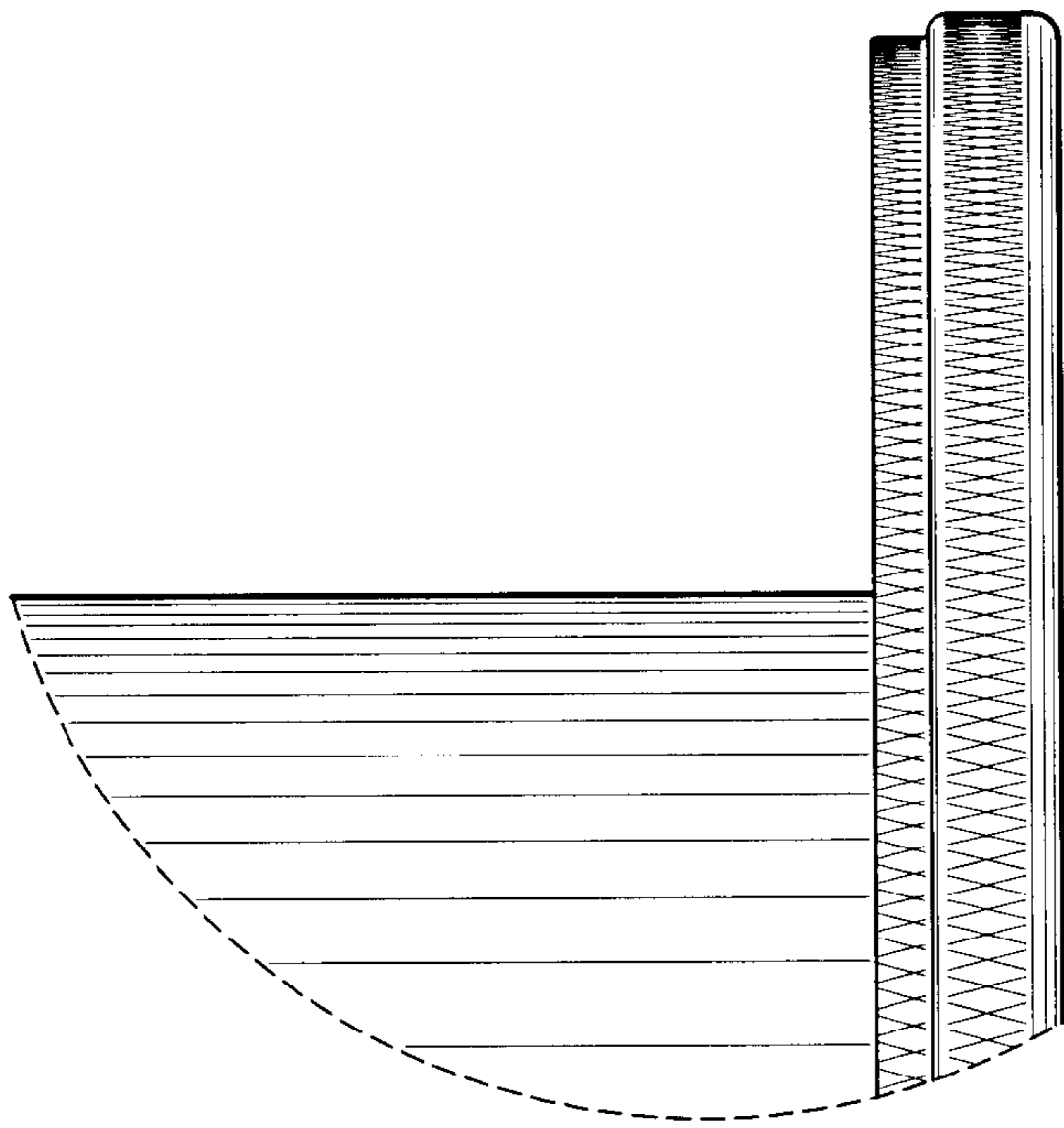


FIG. 12

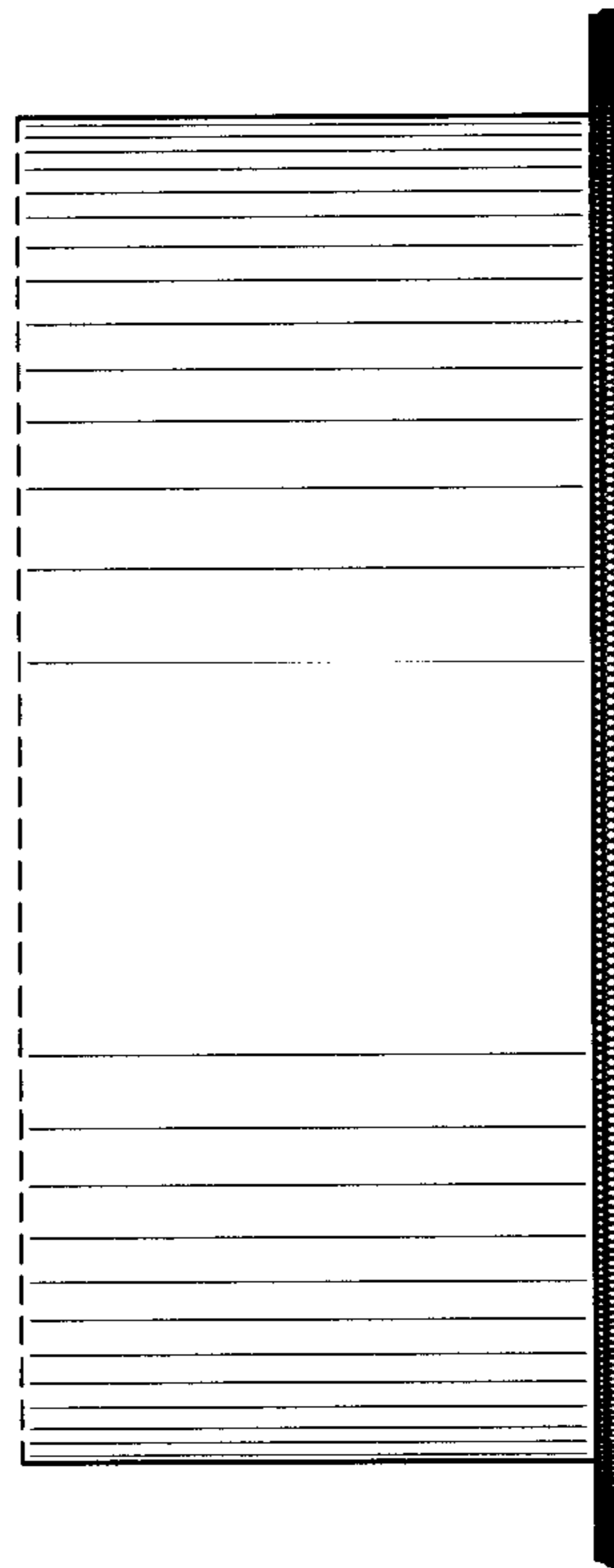


FIG. 13

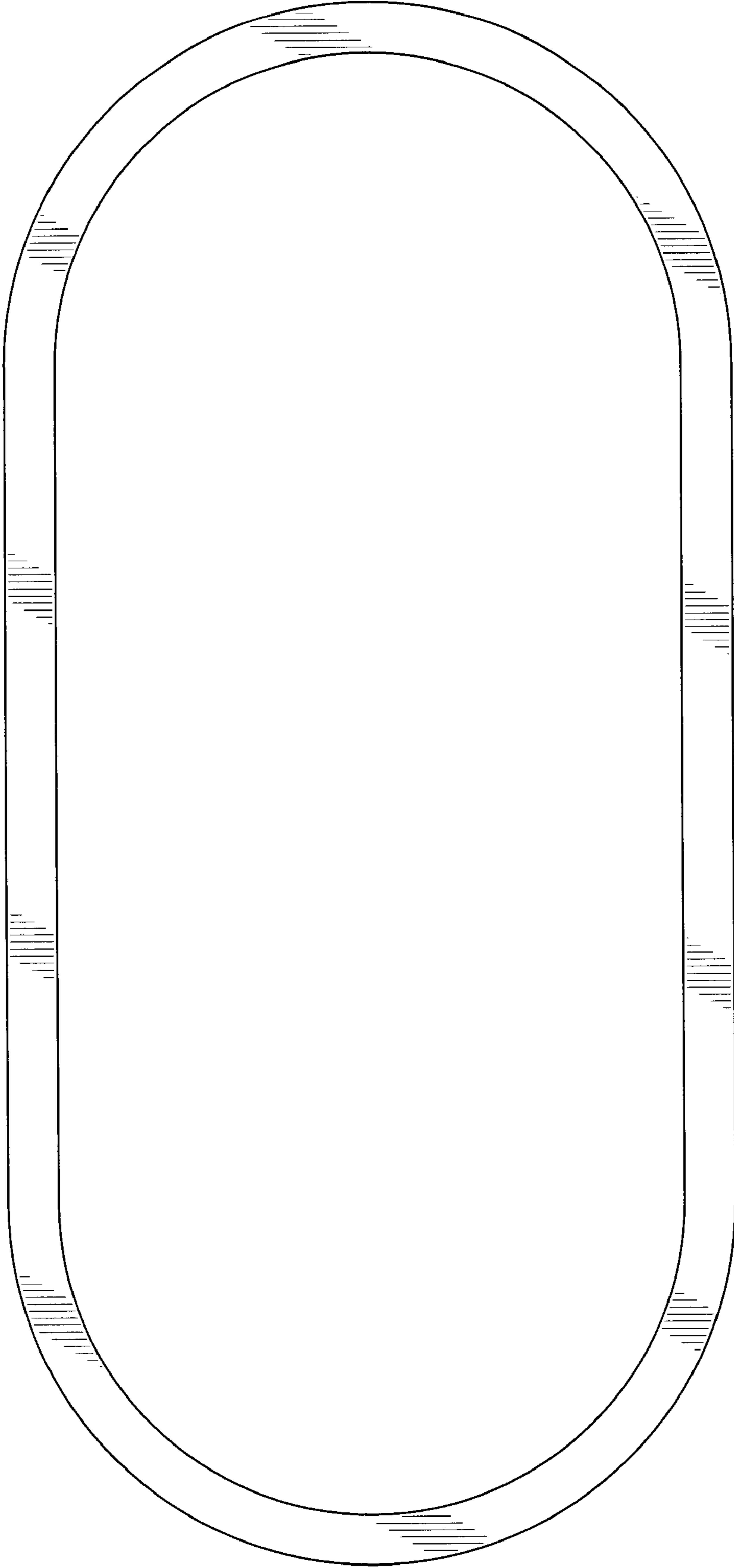


FIG. 14

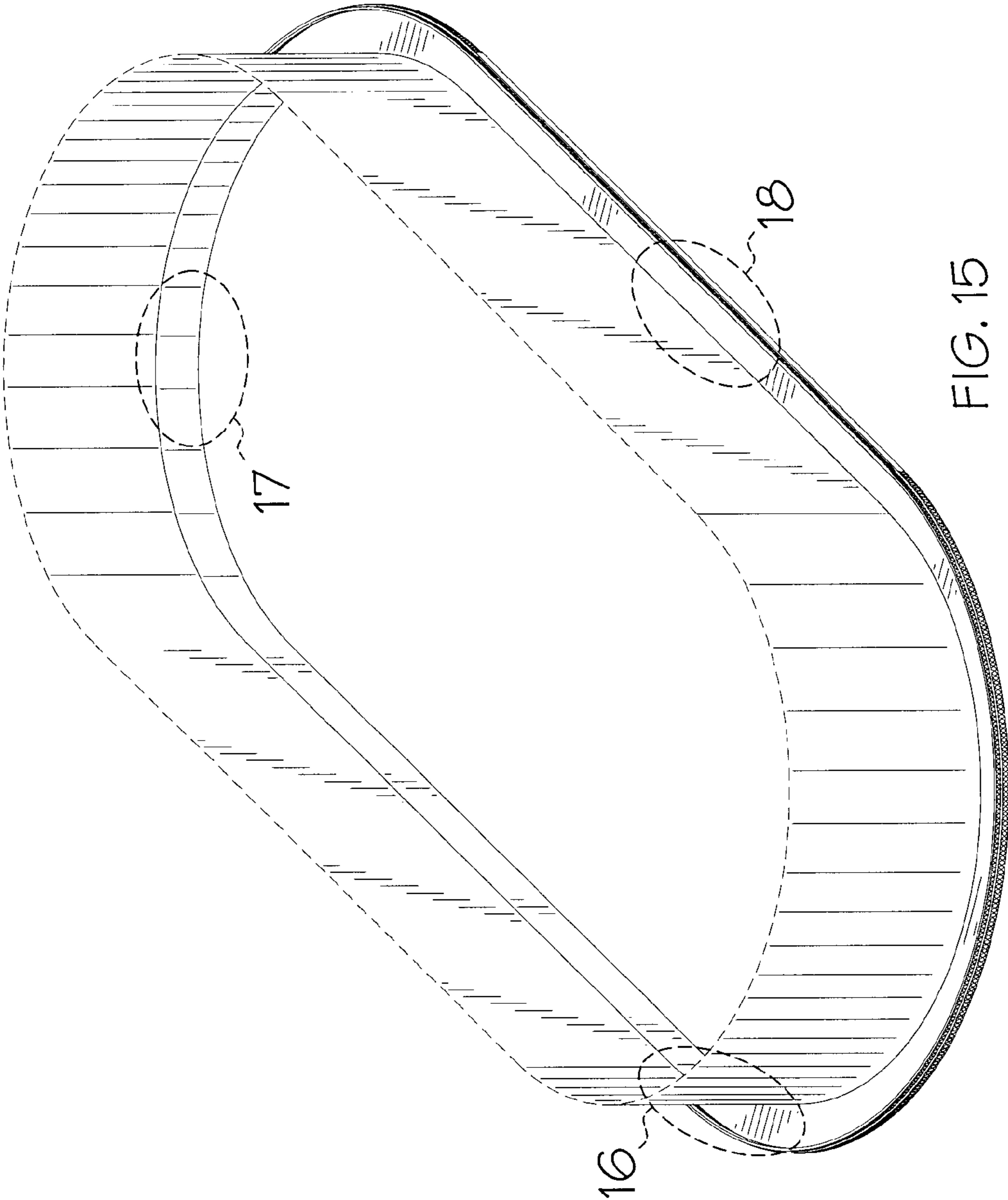


FIG. 15

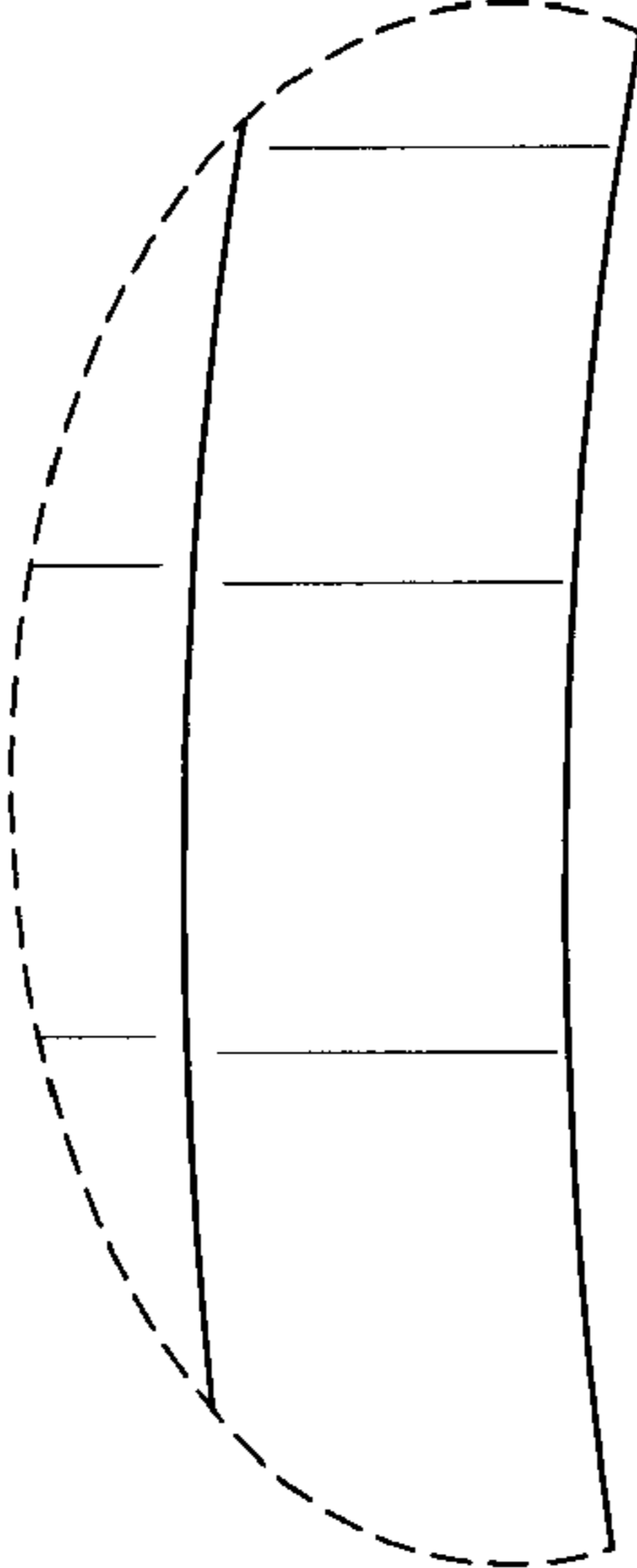


FIG. 17

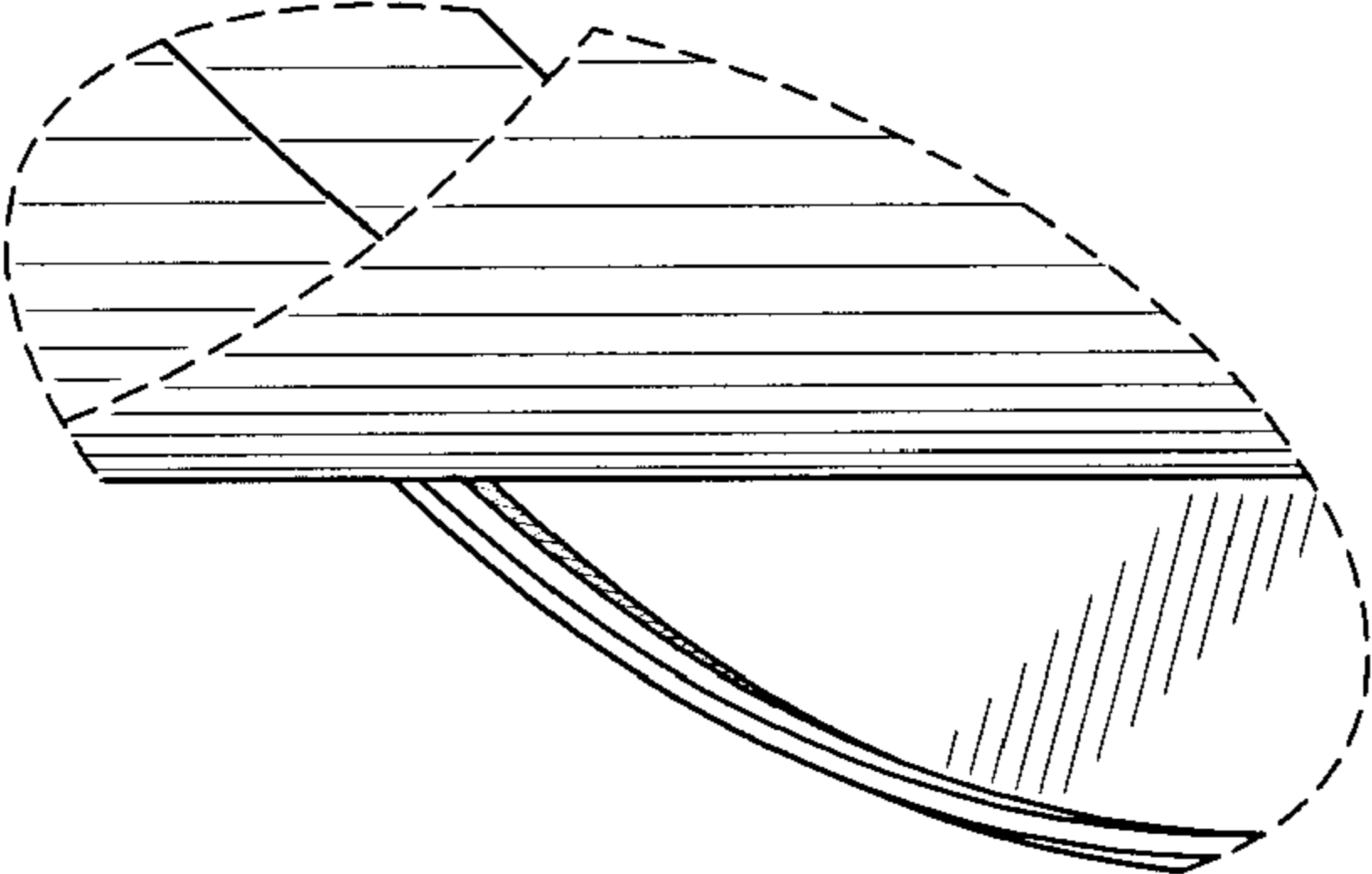


FIG. 16

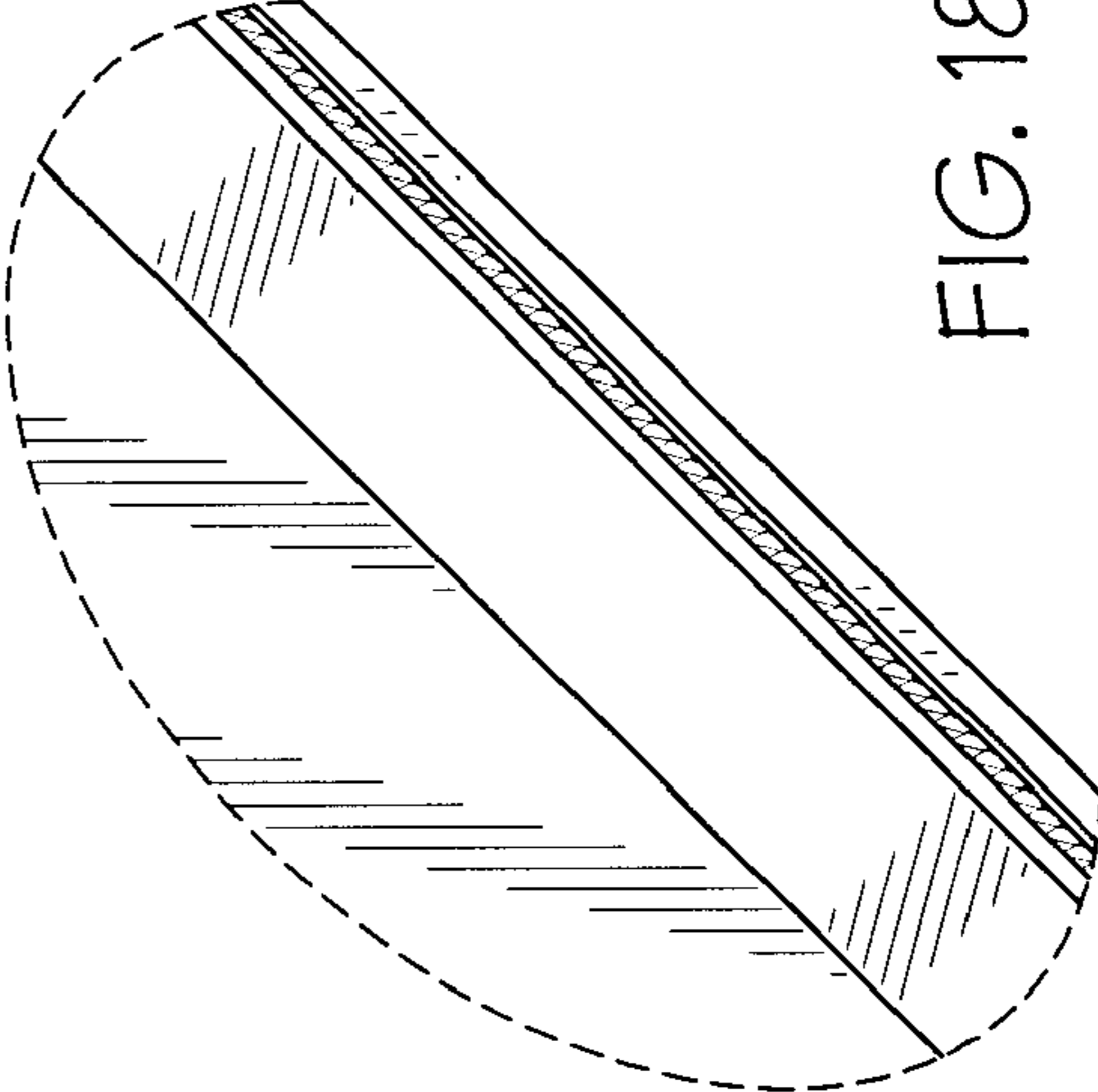


FIG. 18