



US00D516696S

(12) **United States Design Patent**
Chen

(10) **Patent No.:** **US D516,696 S**
(45) **Date of Patent:** **** Mar. 7, 2006**

(54) **CEILING FAN HOUSING**

D508,120 S * 8/2005 Chen D23/377

(76) Inventor: **Chia-Teh Chen**, 5 Fl., No. 30, Yi Shian Rd., Sung Shan Chiu, Taipei (TW)

* cited by examiner

(**) Term: **14 Years**

Primary Examiner—Lisa Lichtenstein
(74) *Attorney, Agent, or Firm*—Charles E. Baxley

(21) Appl. No.: **29/219,989**

(57) **CLAIM**

(22) Filed: **Dec. 22, 2004**

The ornamental design for a ceiling fan housing, as shown and described.

(51) **LOC (8) Cl.** **23-04**

DESCRIPTION

(52) **U.S. Cl.** **D23/377; D23/379**

(58) **Field of Classification Search** D23/377,
D23/379, 385, 411, 413; 416/5
See application file for complete search history.

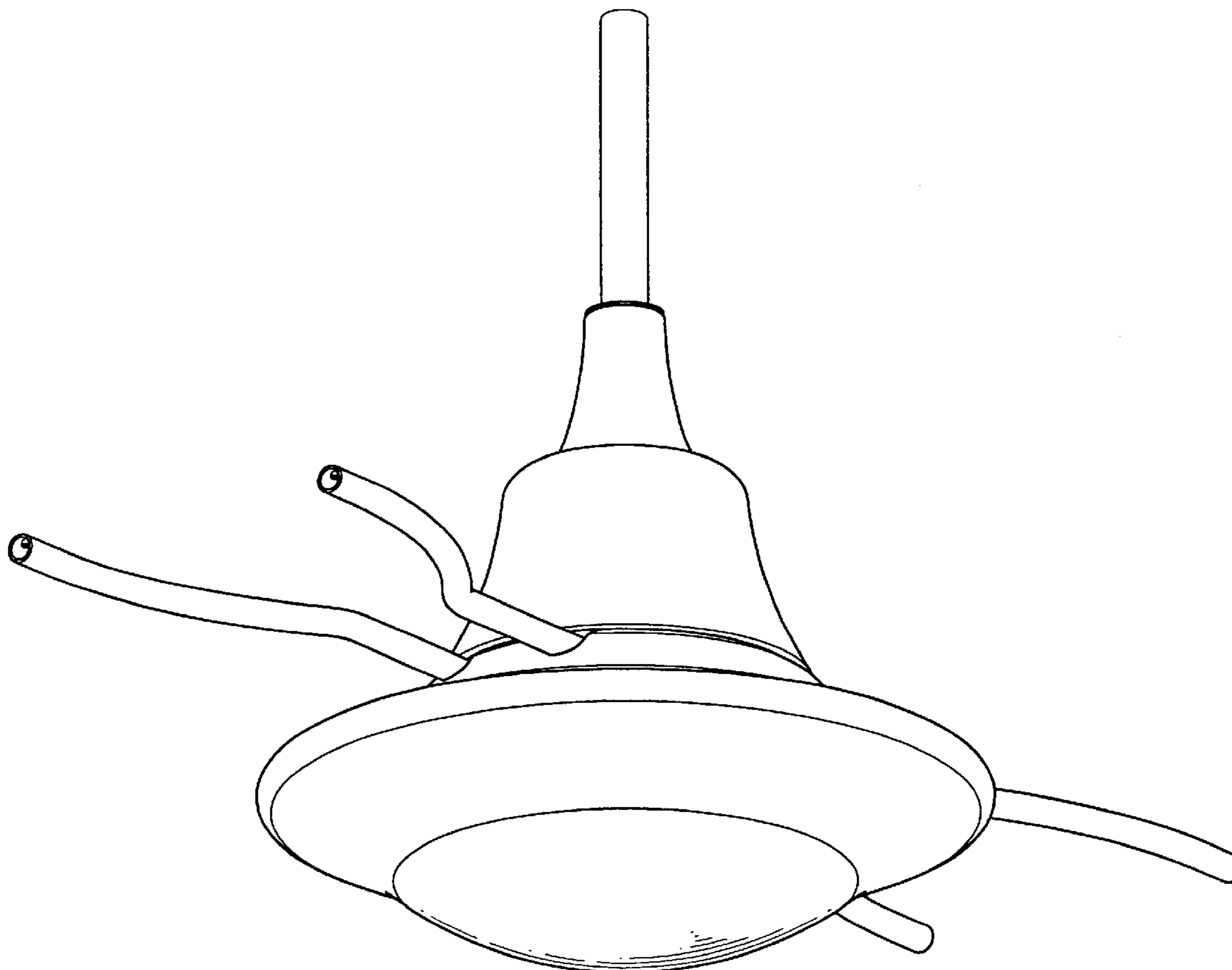
FIG. 1 is a perspective view of an ceiling fan housing showing my new design;
FIG. 2 is a front elevational view thereof;
FIG. 3 is a rear elevational view thereof,
FIG. 4 is a left side elevational view thereof,
FIG. 5 is a right side elevational view thereof,
FIG. 6 is a top plan view thereof; and,
FIG. 7 is a bottom plan view to that shown.

(56) **References Cited**

U.S. PATENT DOCUMENTS

- D485,896 S * 1/2004 Chen D23/377
- D495,411 S * 8/2004 Chen D23/377
- D506,821 S * 6/2005 Chen D23/377

1 Claim, 4 Drawing Sheets



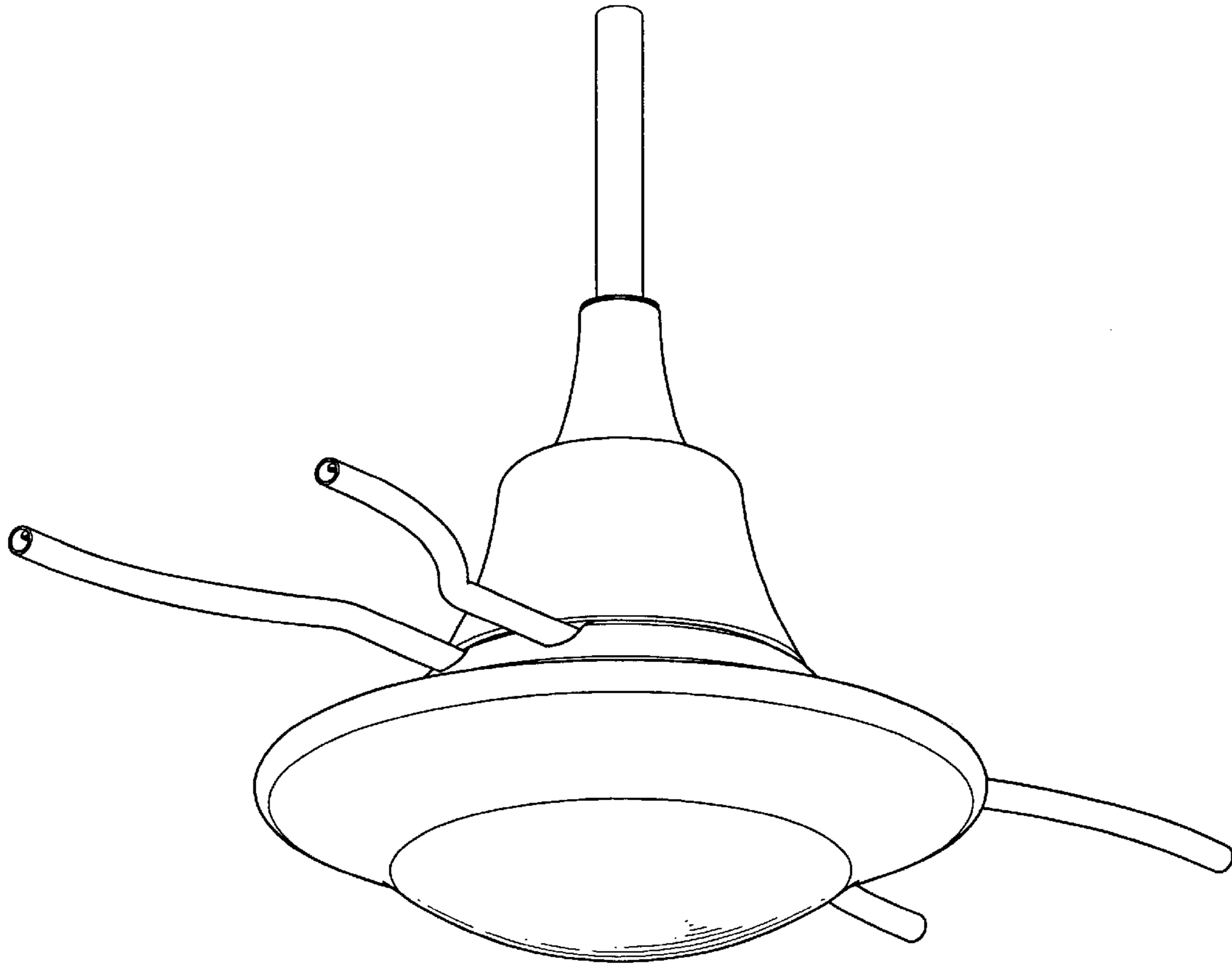


FIG. 1

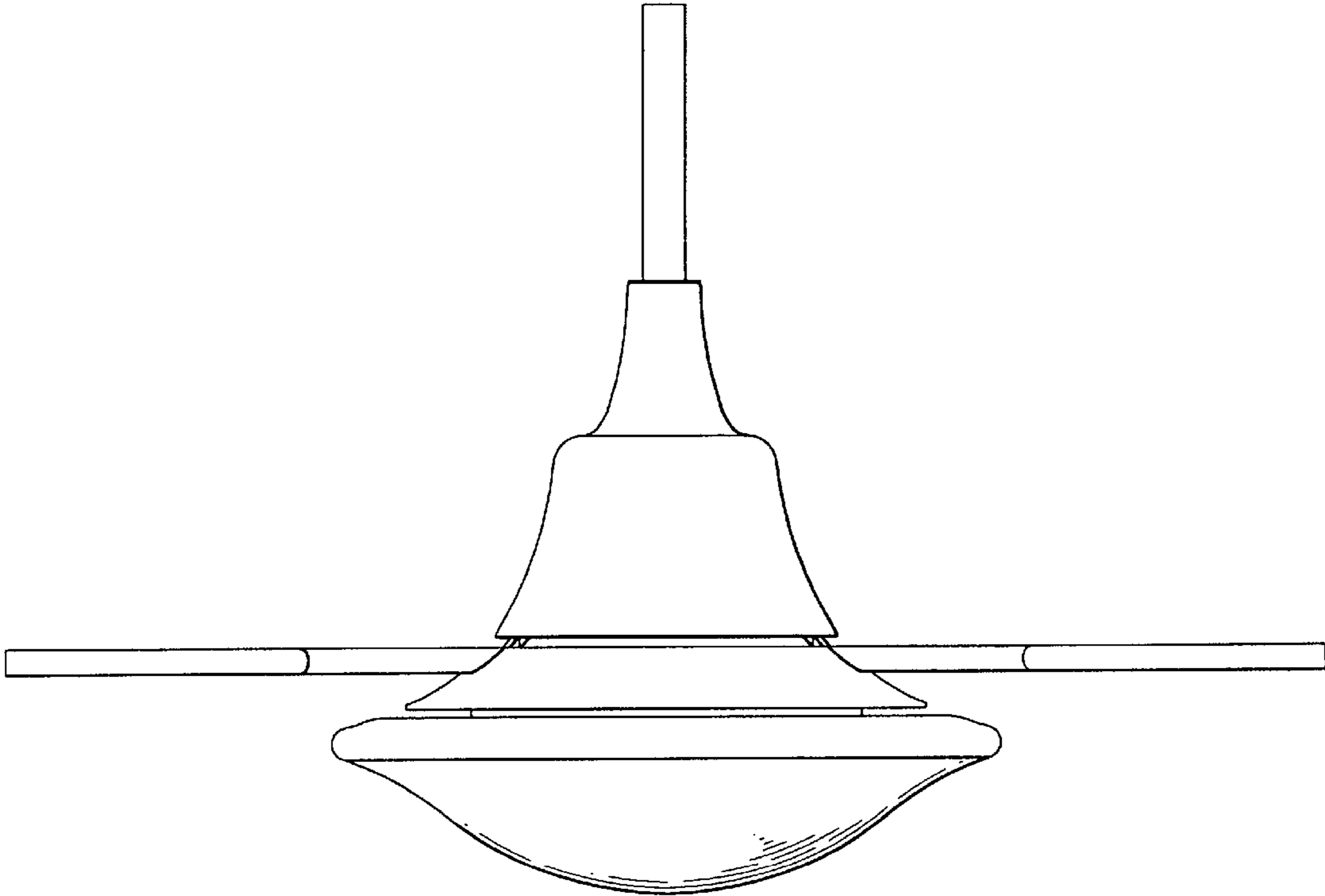


FIG. 2

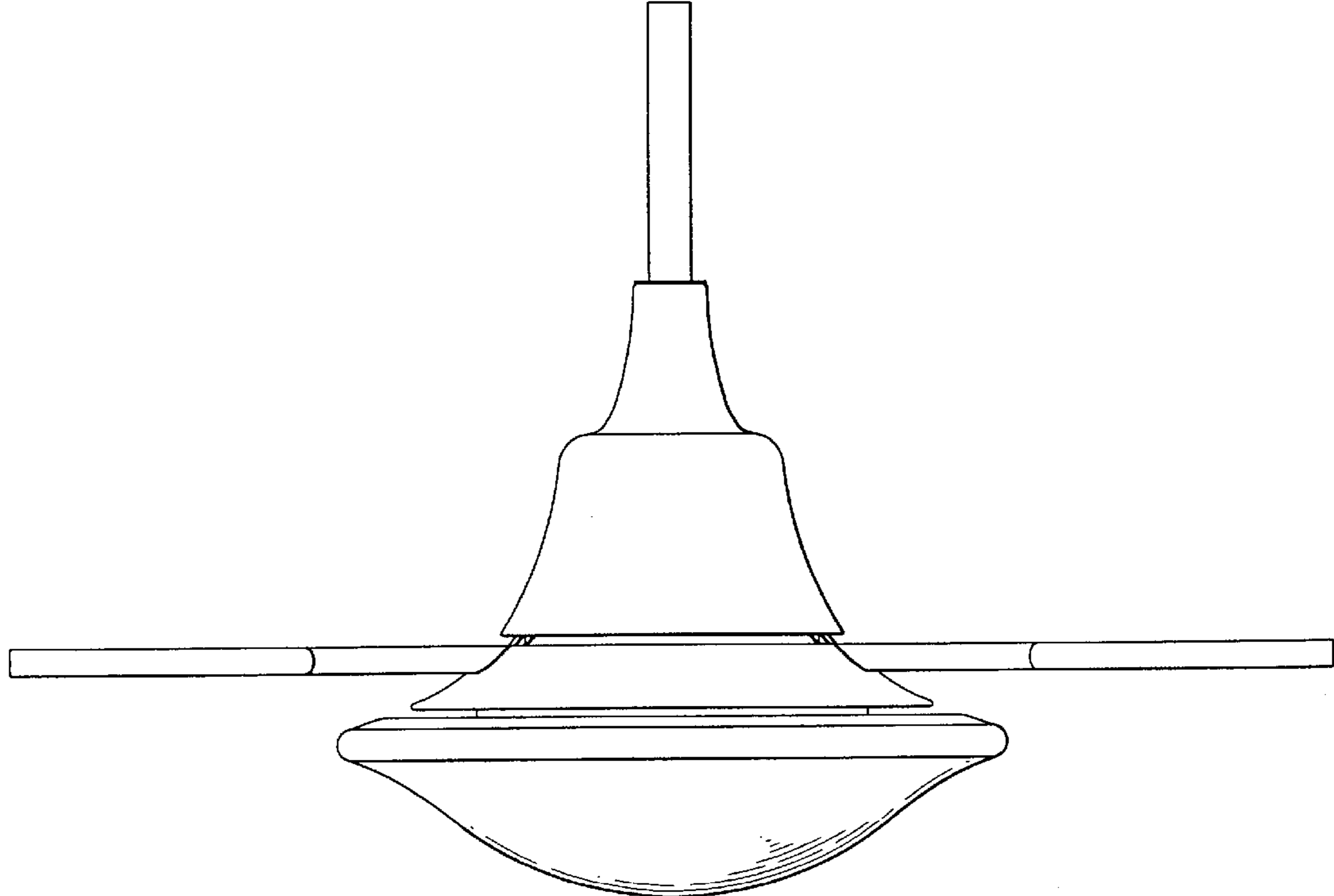


FIG. 3

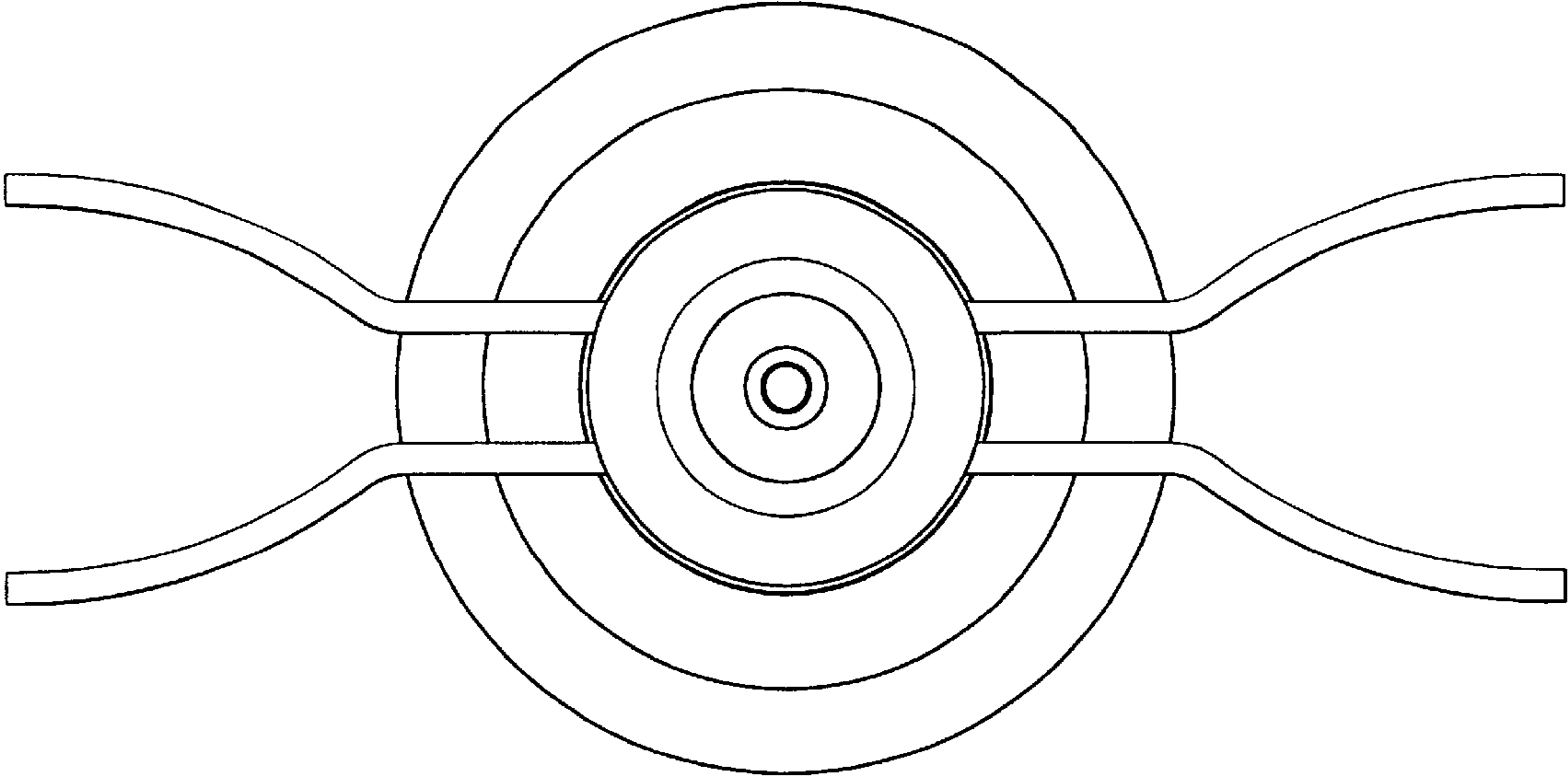


FIG. 4

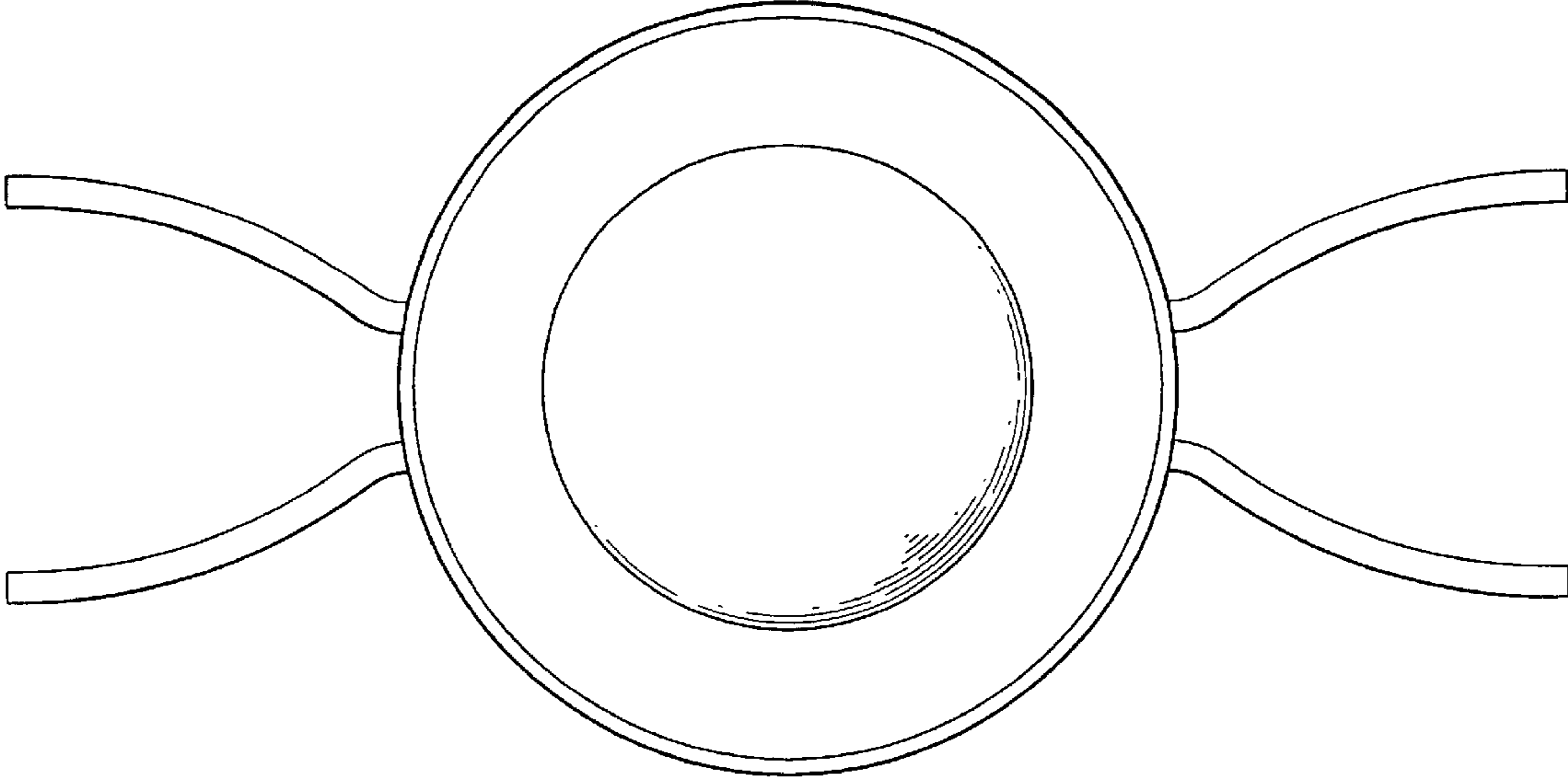


FIG. 5

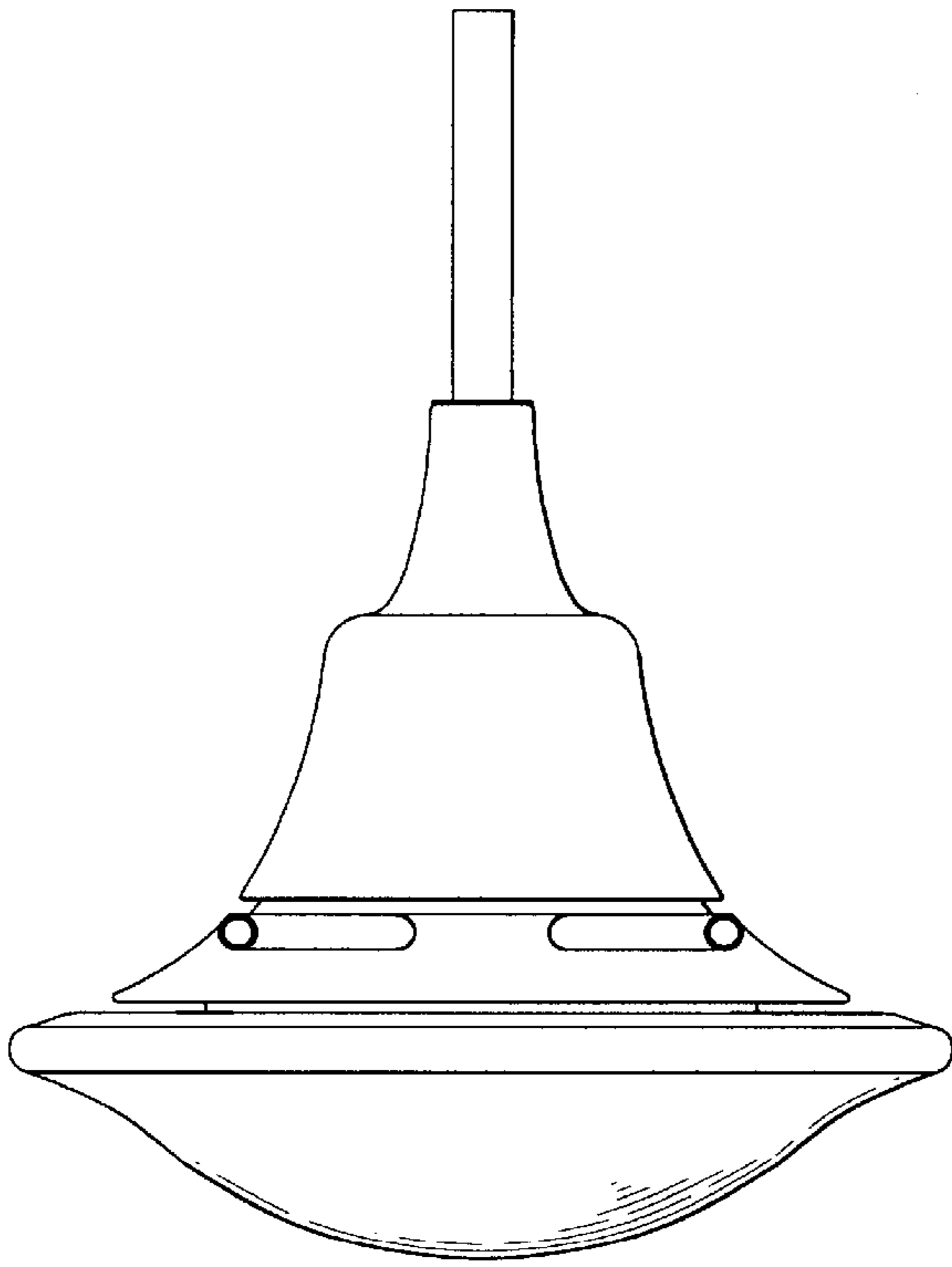


FIG. 6

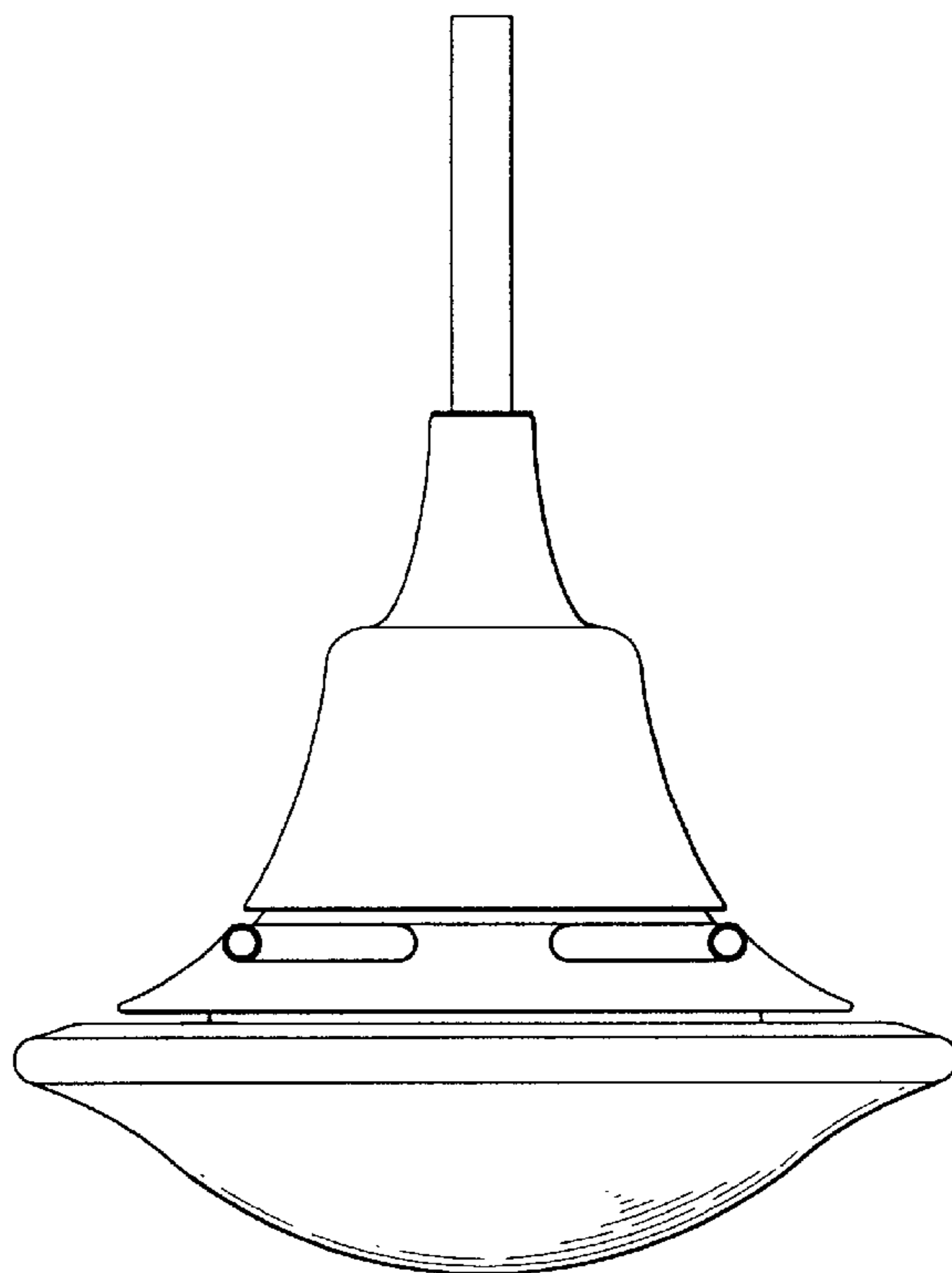


FIG. 7