



US00D516694S

(12) **United States Design Patent**
Vetter

(10) **Patent No.:** **US D516,694 S**

(45) **Date of Patent:** **** Mar. 7, 2006**

(54) **EXTRACTOR HOOD**

(75) **Inventor:** **Roland Vetter**, Giengen-Sachsenhausen (DE)

(73) **Assignee:** **BSH Bosch und Siemens Hausgeraete GmbH**, Munich (DE)

(**) **Term:** **14 Years**

(21) **Appl. No.:** **29/212,085**

(22) **Filed:** **Aug. 26, 2004**

(30) **Foreign Application Priority Data**

Feb. 26, 2004 (EM) 000144381

(51) **LOC (8) Cl.** **23-04**

(52) **U.S. Cl.** **D23/372**

(58) **Field of Classification Search** D23/372;
126/299 R, 299 D

See application file for complete search history.

(56) **References Cited**

U.S. PATENT DOCUMENTS

6,202,641 B1 * 3/2001 Lazzaro 126/299 D

D443,351 S * 6/2001 Strand et al. D23/372

D471,268 S * 3/2003 Segers D23/372

D490,887 S * 6/2004 Segers D23/372

* cited by examiner

Primary Examiner—Lisa Lichtenstein

(74) *Attorney, Agent, or Firm*—John T. Winburn; Russell W. Warnock; Craig J. Loest

(57) **CLAIM**

The ornamental design for an extractor hood, as shown and described.

DESCRIPTION

FIG. 1 is a perspective view of an extractor hood showing my ornamental design;

FIG. 2 is a perspective view showing the extension of the extractor hood embodiment shown in FIG. 1;

FIG. 3 is a front plan view of the extractor hood embodiment shown in FIG. 1;

FIG. 4 is a right side showing the extension of the extractor hood embodiment shown in FIG. 2;

FIG. 5 is a right side view of the extractor hood embodiment shown in FIG. 1;

FIG. 6 is a left side view showing the extension of the extractor hood embodiment shown in FIG. 2;

FIG. 7 is a left side view of the extractor hood embodiment shown in FIG. 1;

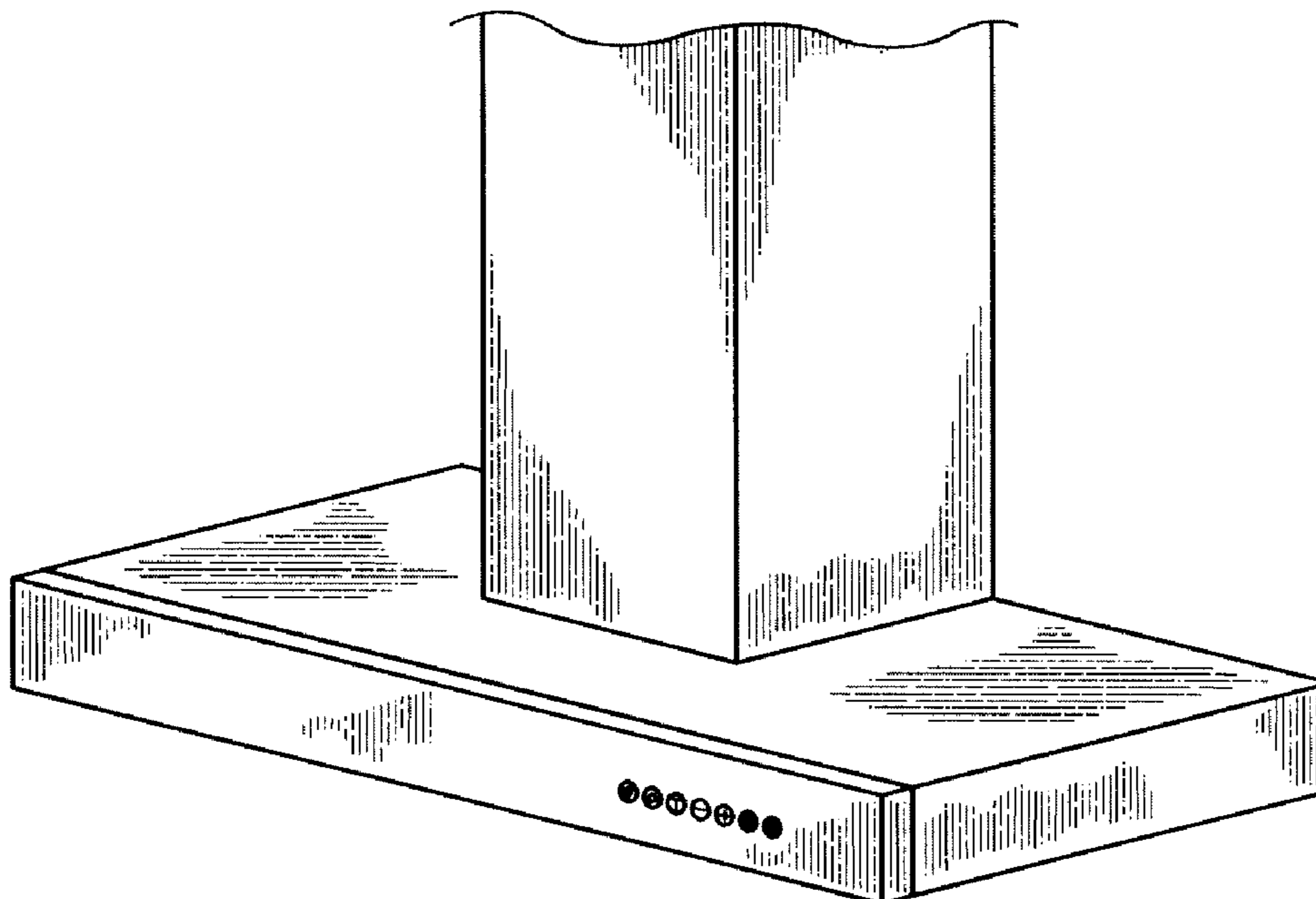
FIG. 8 is a back view of the extractor hood embodiment shown in FIG. 1;

FIG. 9 is a bottom plan view of the extractor hood embodiment shown in FIG. 1; and,

FIG. 10 is a bottom perspective view showing the extension of the extractor hood embodiment shown in FIG. 2.

The extractor hood has been shown broken-away in the middle of the verticle column to indicate indeterminate length.

1 Claim, 3 Drawing Sheets



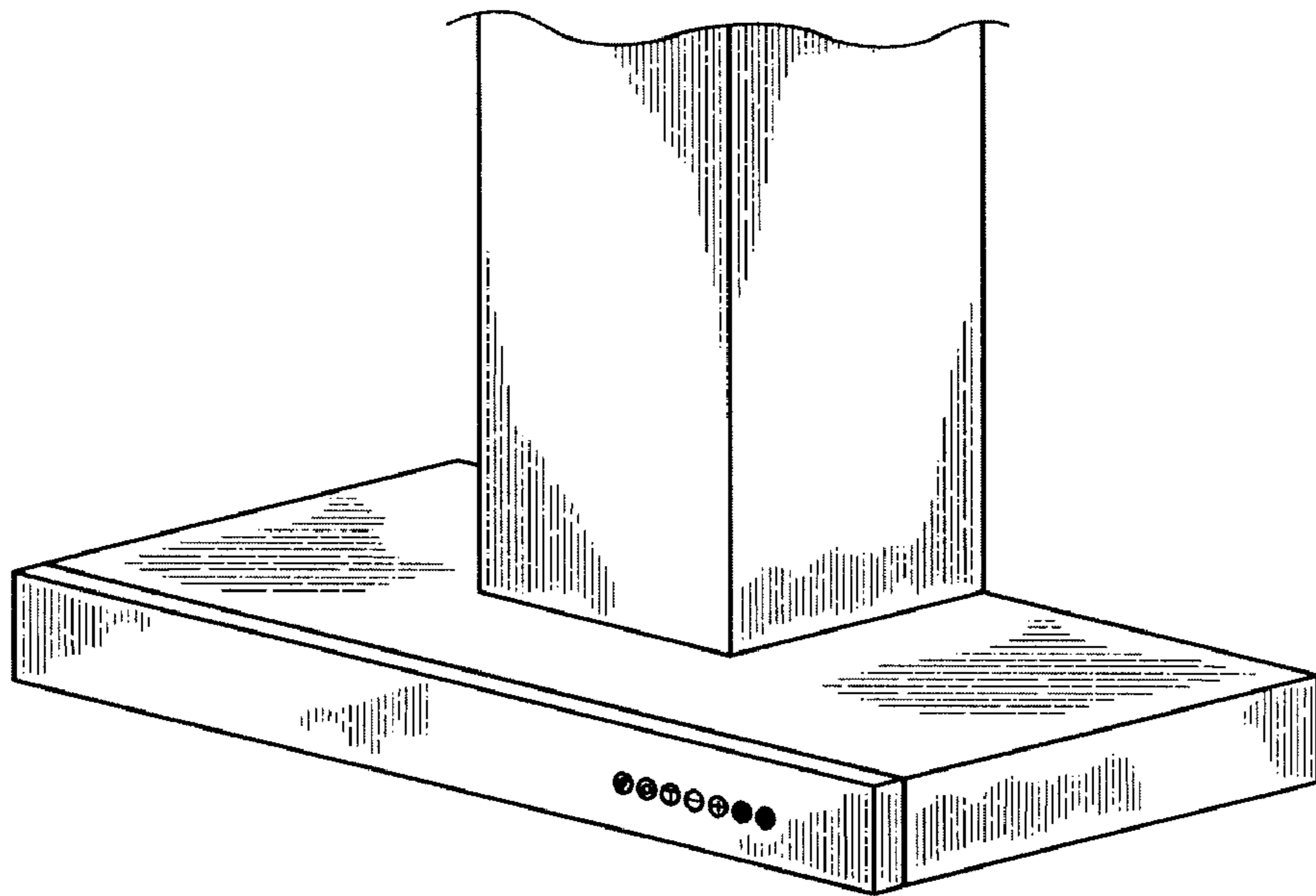


FIG. 1

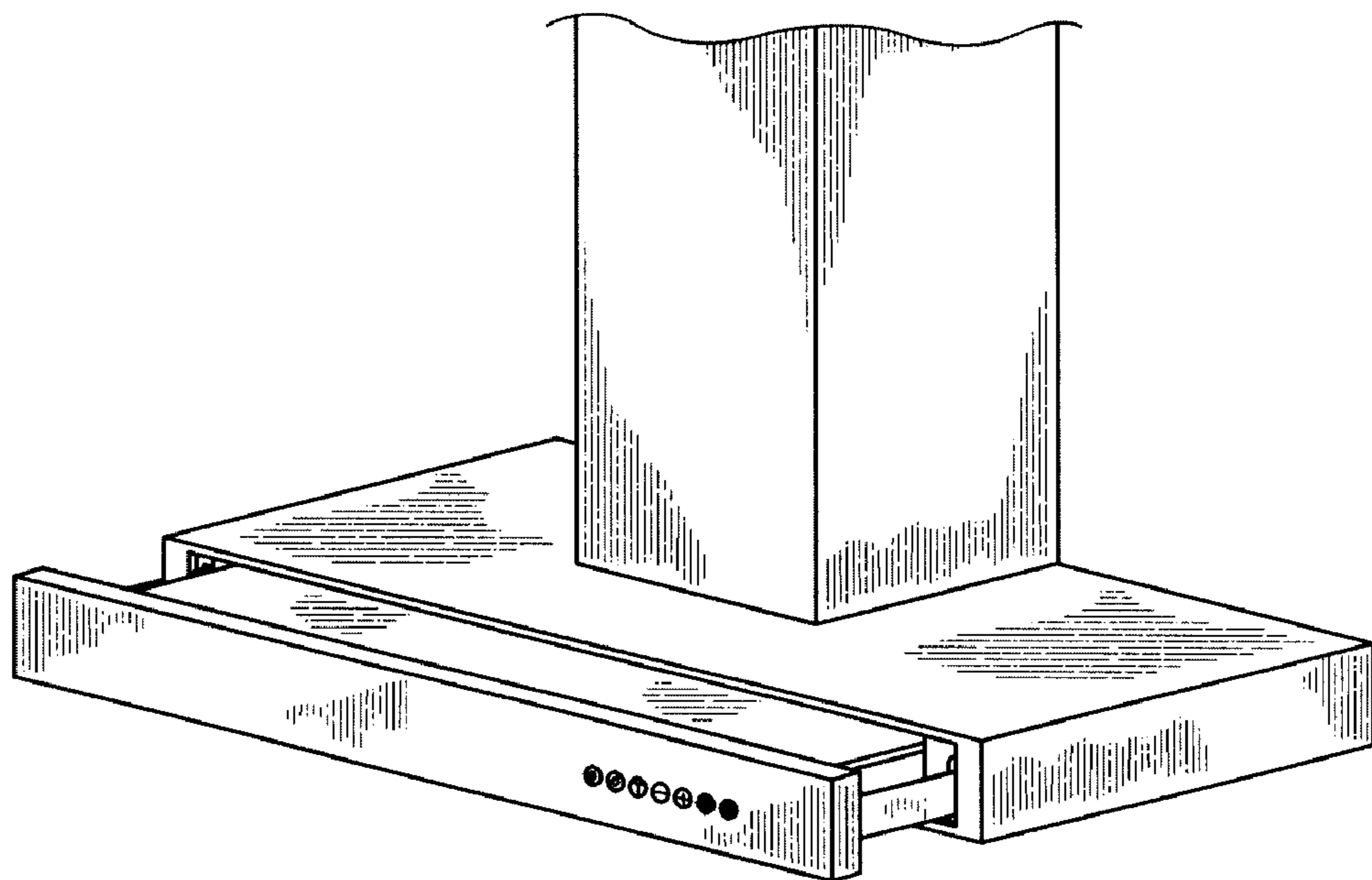


FIG. 2

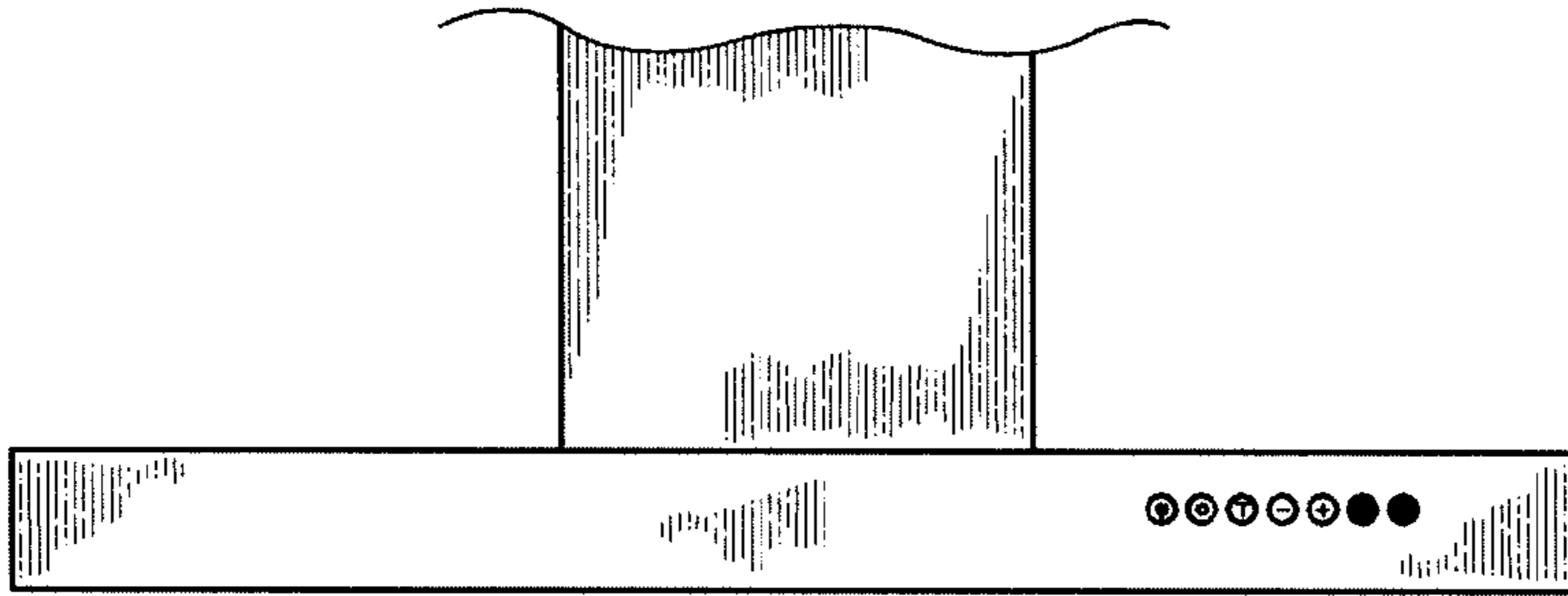


FIG. 3

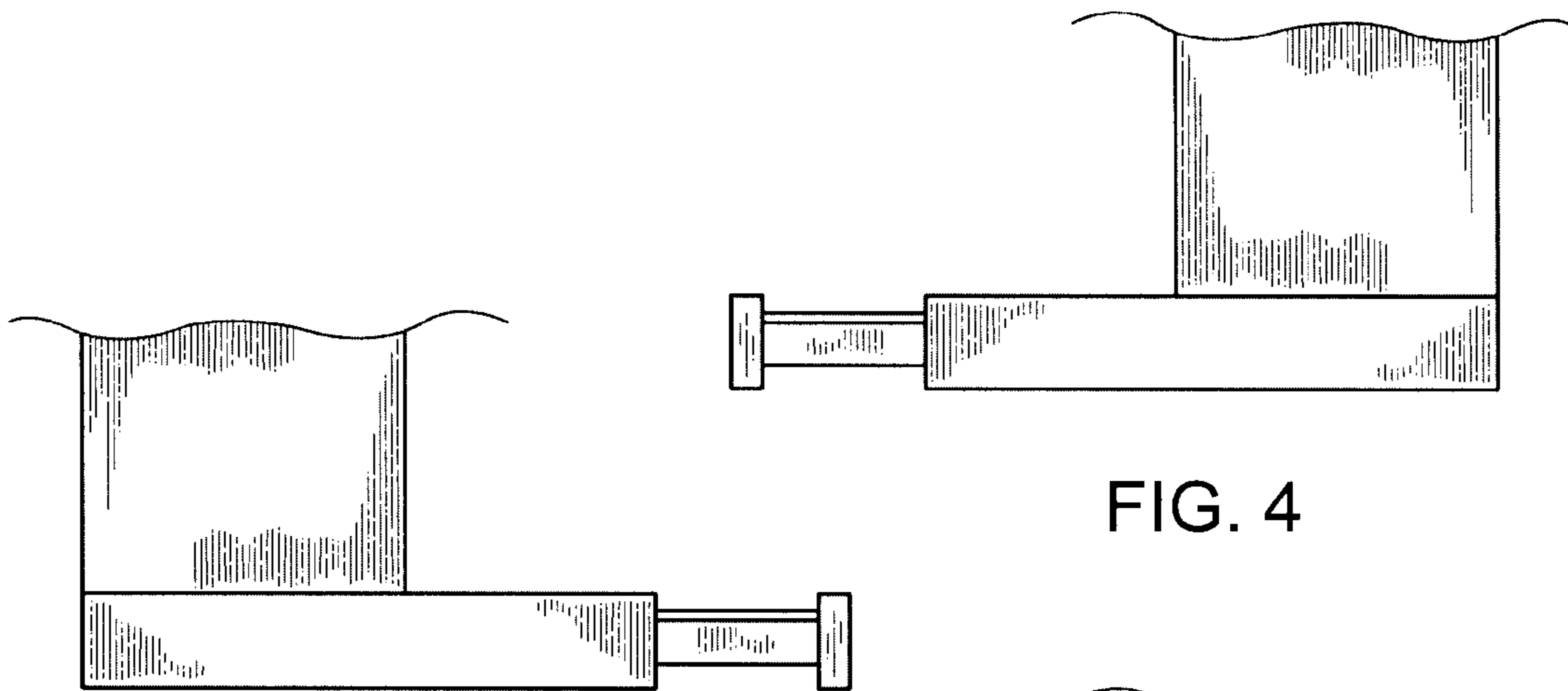


FIG. 4



FIG. 6

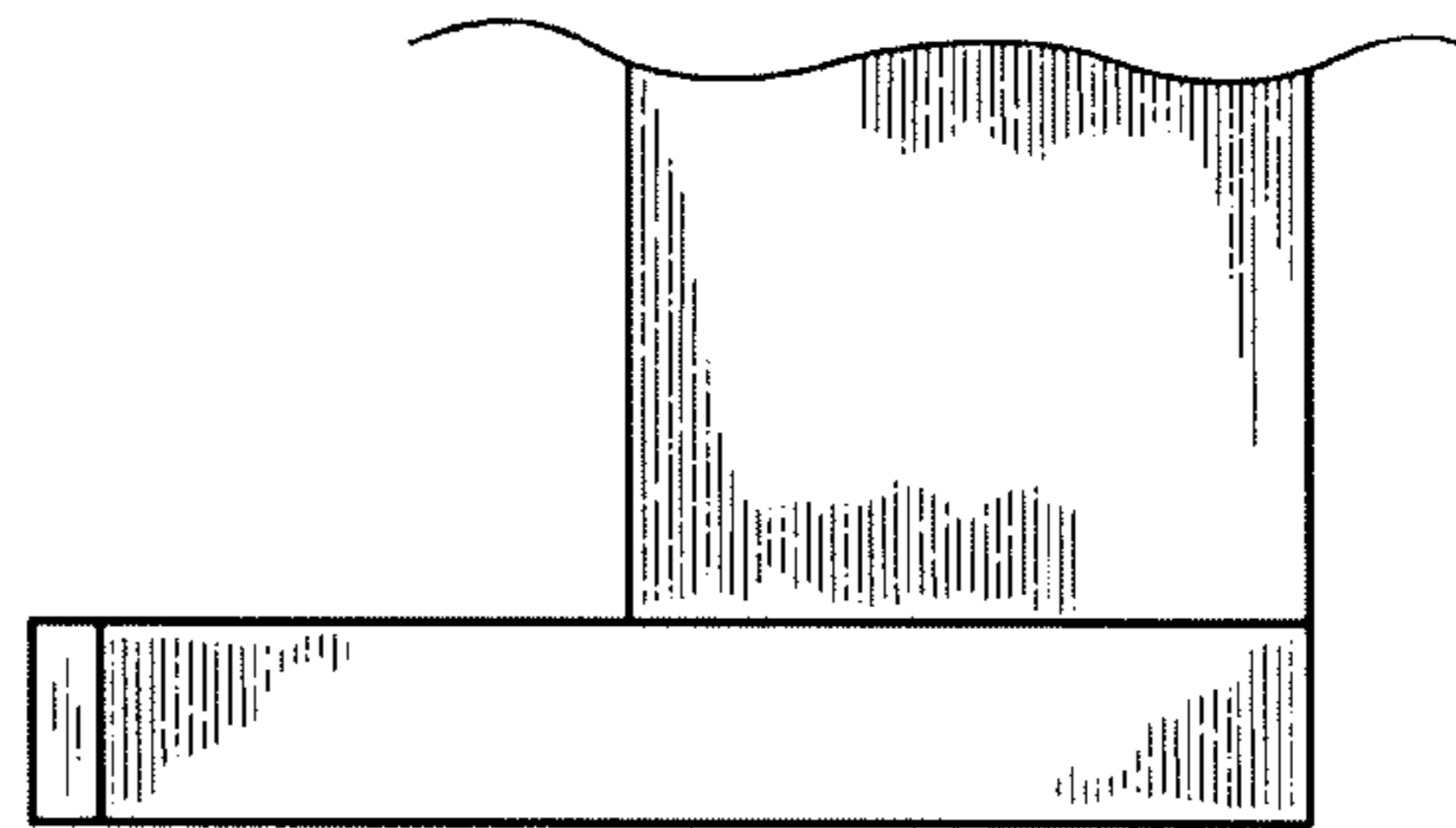


FIG. 5

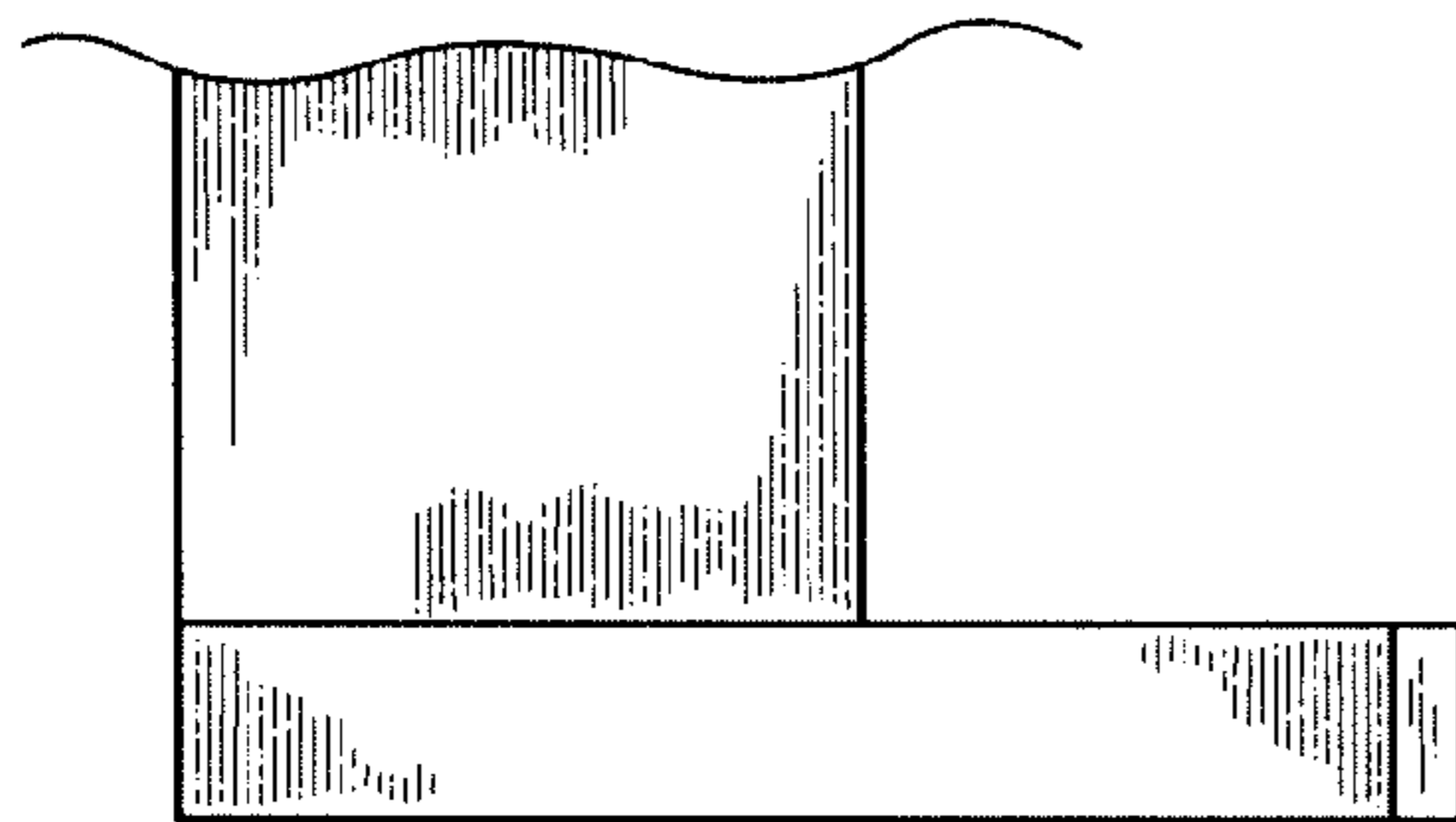


FIG. 7

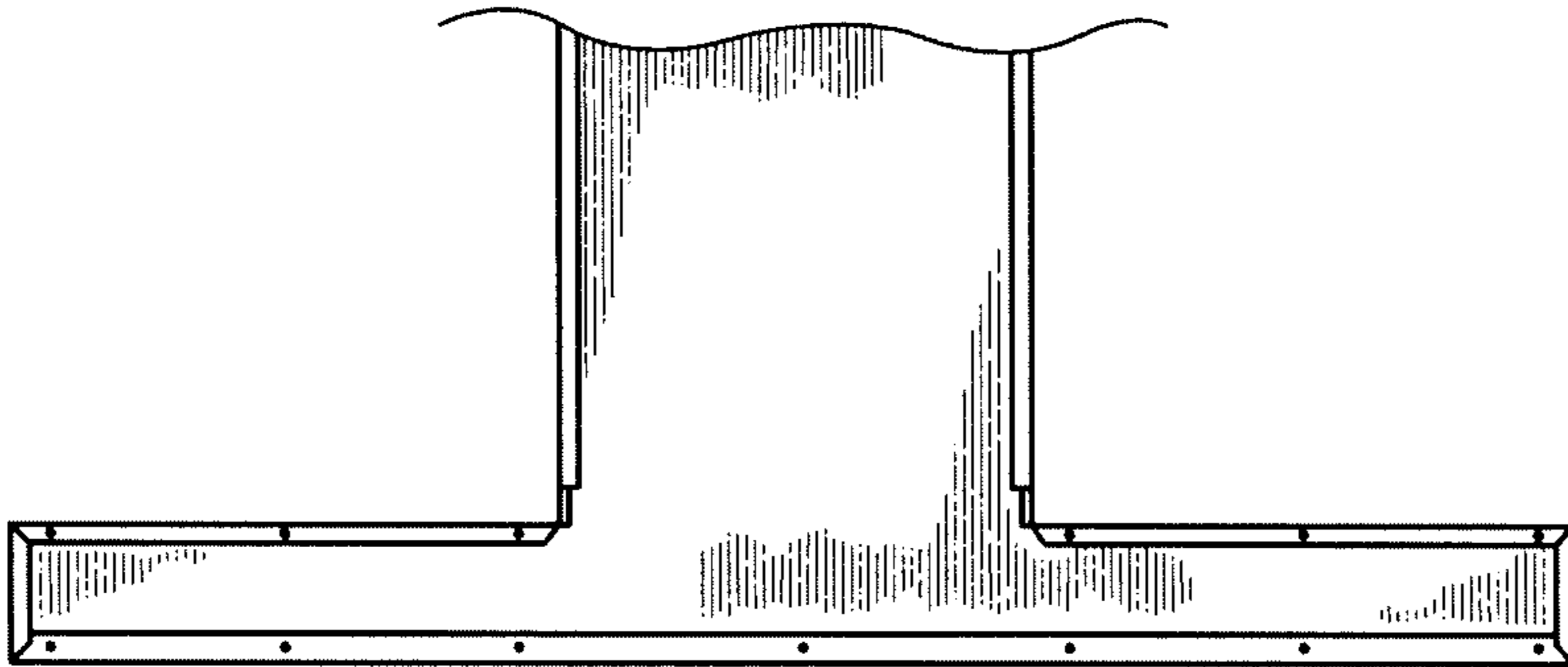


FIG. 8

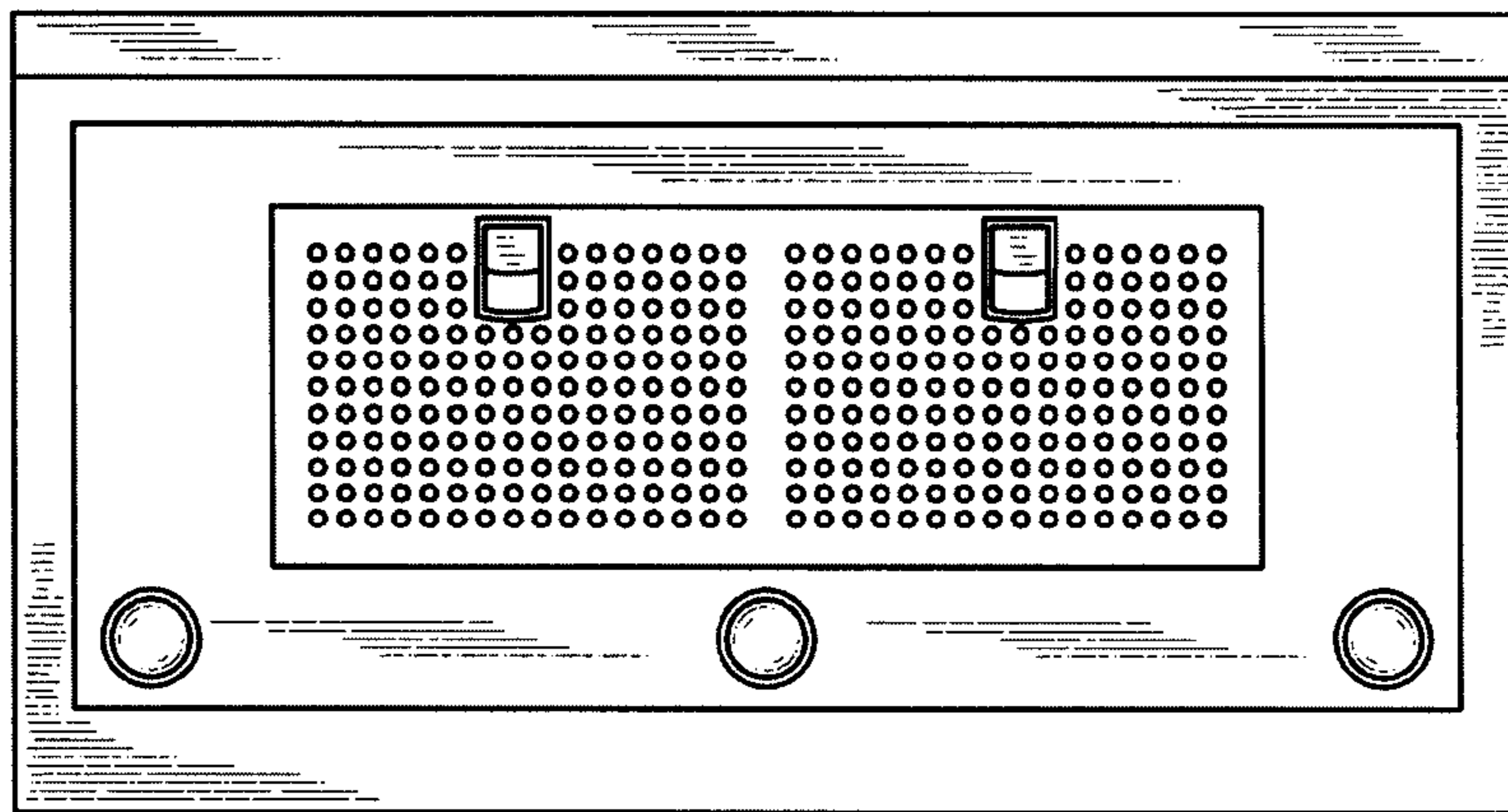


FIG. 9

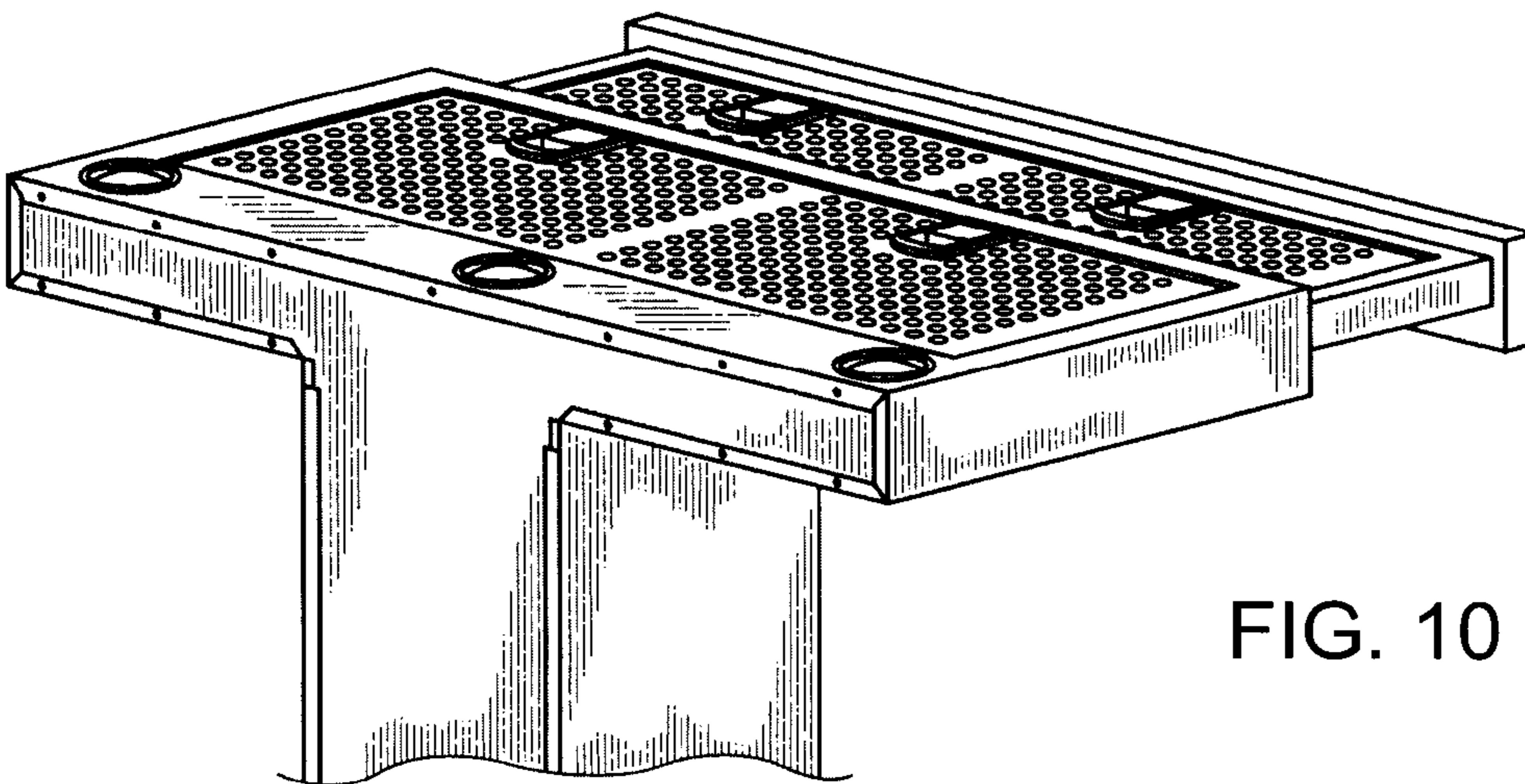


FIG. 10