



US00D516692S

(12) **United States Design Patent**
Caserta et al.

(10) **Patent No.:** **US D516,692 S**
(45) **Date of Patent:** **** Mar. 7, 2006**

(54) **SUBSTANCE EVAPORATOR**
(75) Inventors: **Andrea Caserta**, Barcelona (ES);
Ruben Garcia Fabrega, Barcelona
(ES); **Pere Casas Colomer**, Barcelona
(ES)

(73) Assignee: **DBK Espana S.A.** (ES)

(**) Term: **14 Years**

(21) Appl. No.: **29/207,405**

(22) Filed: **Jun. 14, 2004**

(51) **LOC (8) Cl.** **23-04**

(52) **U.S. Cl.** **D23/366**

(58) **Field of Classification Search** D23/356-369;
392/390, 392, 394; 239/135, 136, 58; 261/DIG. 17,
261/DIG. 65

See application file for complete search history.

(56) **References Cited**

U.S. PATENT DOCUMENTS

D393,063 S	*	3/1998	Wefler	D23/366
D432,222 S	*	10/2000	Rymer et al.	D23/366
D433,744 S	*	11/2000	Basaganas	D23/366
D440,291 S	*	4/2001	Wolpert et al.	D23/360
D449,101 S	*	10/2001	Wolpert et al.	D23/366
D461,549 S	*	8/2002	Garcia	D23/360
D461,885 S	*	8/2002	Jordi	D23/366
D462,755 S	*	9/2002	Basaganas Millan	D23/366
D465,019 S	*	10/2002	Wu	D23/366

D466,204 S	*	11/2002	Wolpert et al.	D23/366
D469,862 S	*	2/2003	Cruver et al.	D23/366
D473,638 S	*	4/2003	Cruver, IV	D23/366
D474,268 S	*	5/2003	Choke-arpornchai et al.	D23/366
D480,792 S	*	10/2003	Millan	D23/366
D481,787 S	*	11/2003	Millan	D23/366
D485,340 S	*	1/2004	Wu	D23/366
D485,341 S	*	1/2004	Wu	D23/366
D491,256 S	*	6/2004	Fellows et al.	D23/366
D501,546 S	*	2/2005	Cruver et al.	D23/366
D501,921 S	*	2/2005	Caserta et al.	D23/366
D502,540 S	*	3/2005	Cruver et al.	D23/366

* cited by examiner

Primary Examiner—Sandra S. Snapp

(74) *Attorney, Agent, or Firm*—Michael Best & Friedrich
LLP

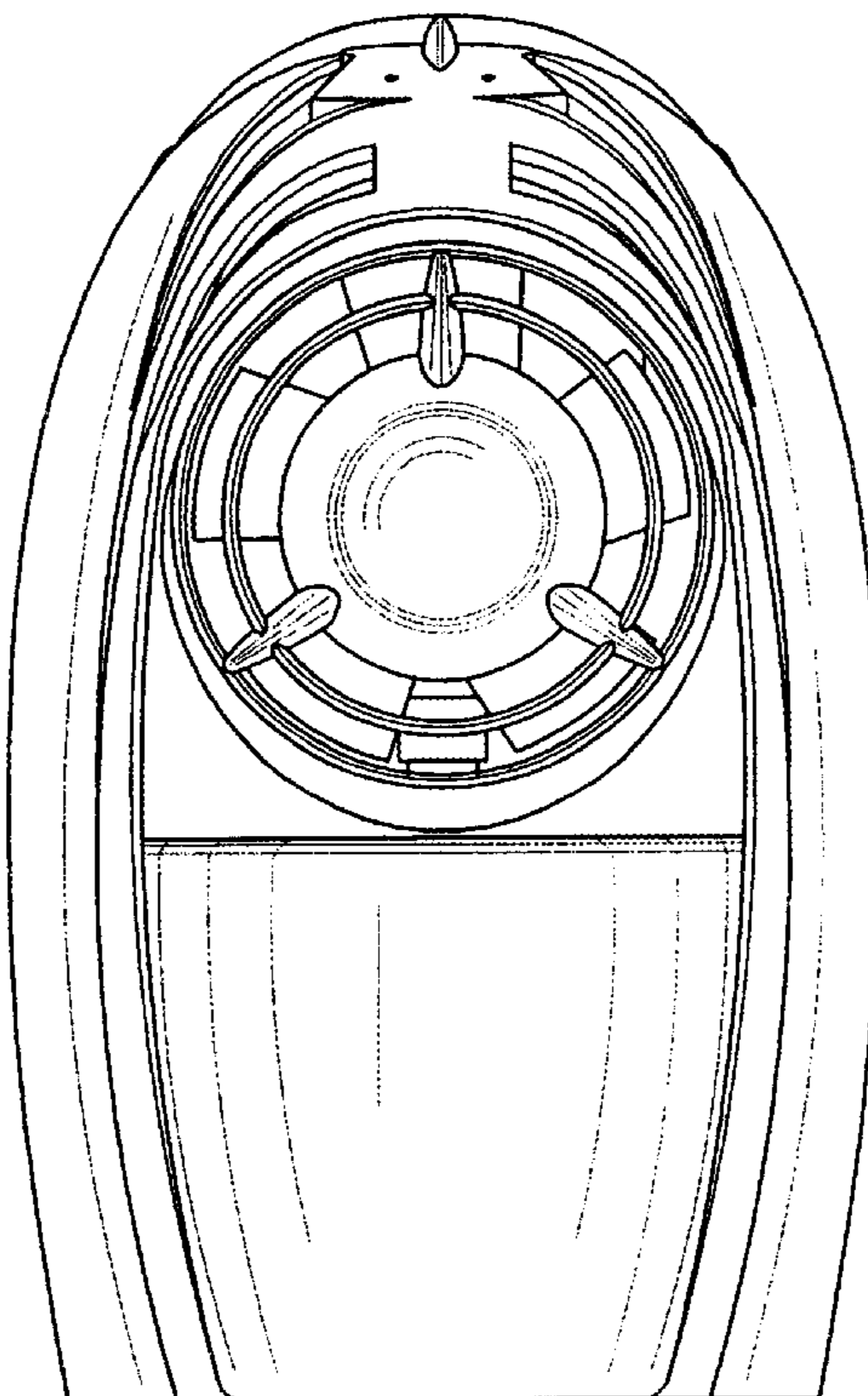
(57) **CLAIM**

The ornamental design for a substance evaporator, as shown
and described.

DESCRIPTION

FIG. 1 is a front elevational view of the substance evaporator
of the instant invention;
FIG. 2 is a back elevational view thereof;
FIG. 3 is a left side elevational view thereof;
FIG. 4 is a right side elevational view thereof;
FIG. 5 is a top plan view thereof; and,
FIG. 6 is a bottom plan view thereof.

1 Claim, 6 Drawing Sheets



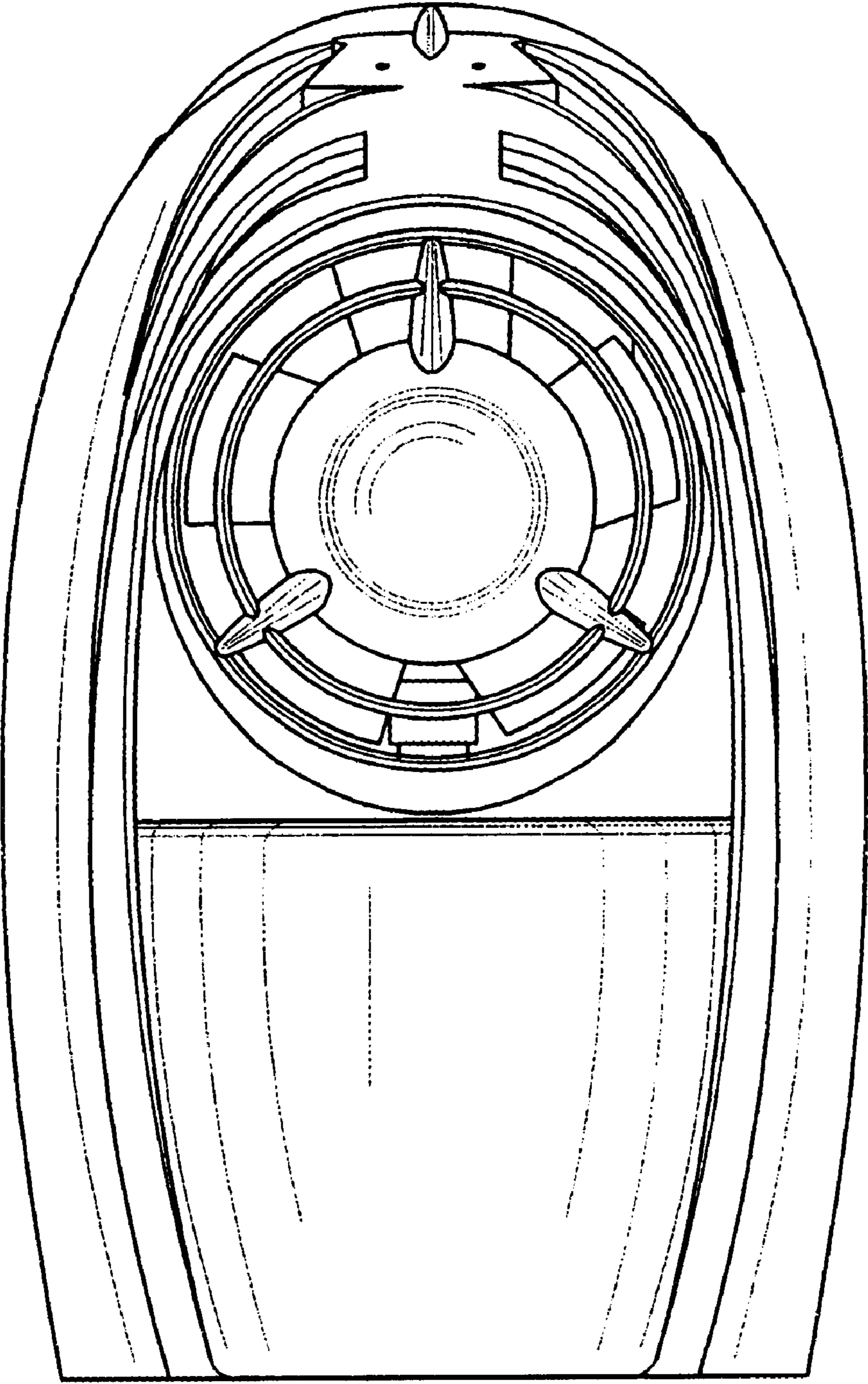


FIG. 1

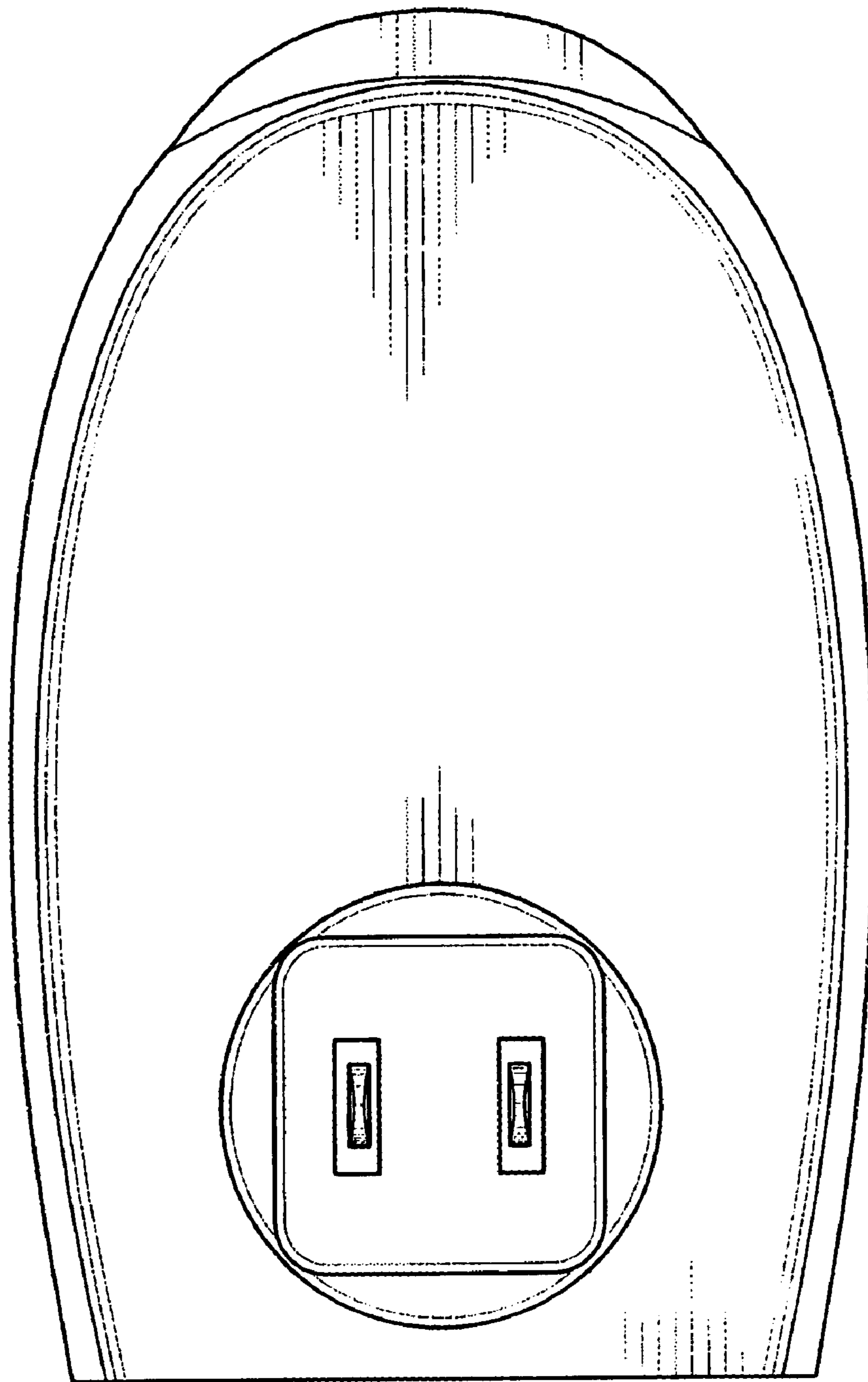


FIG. 2

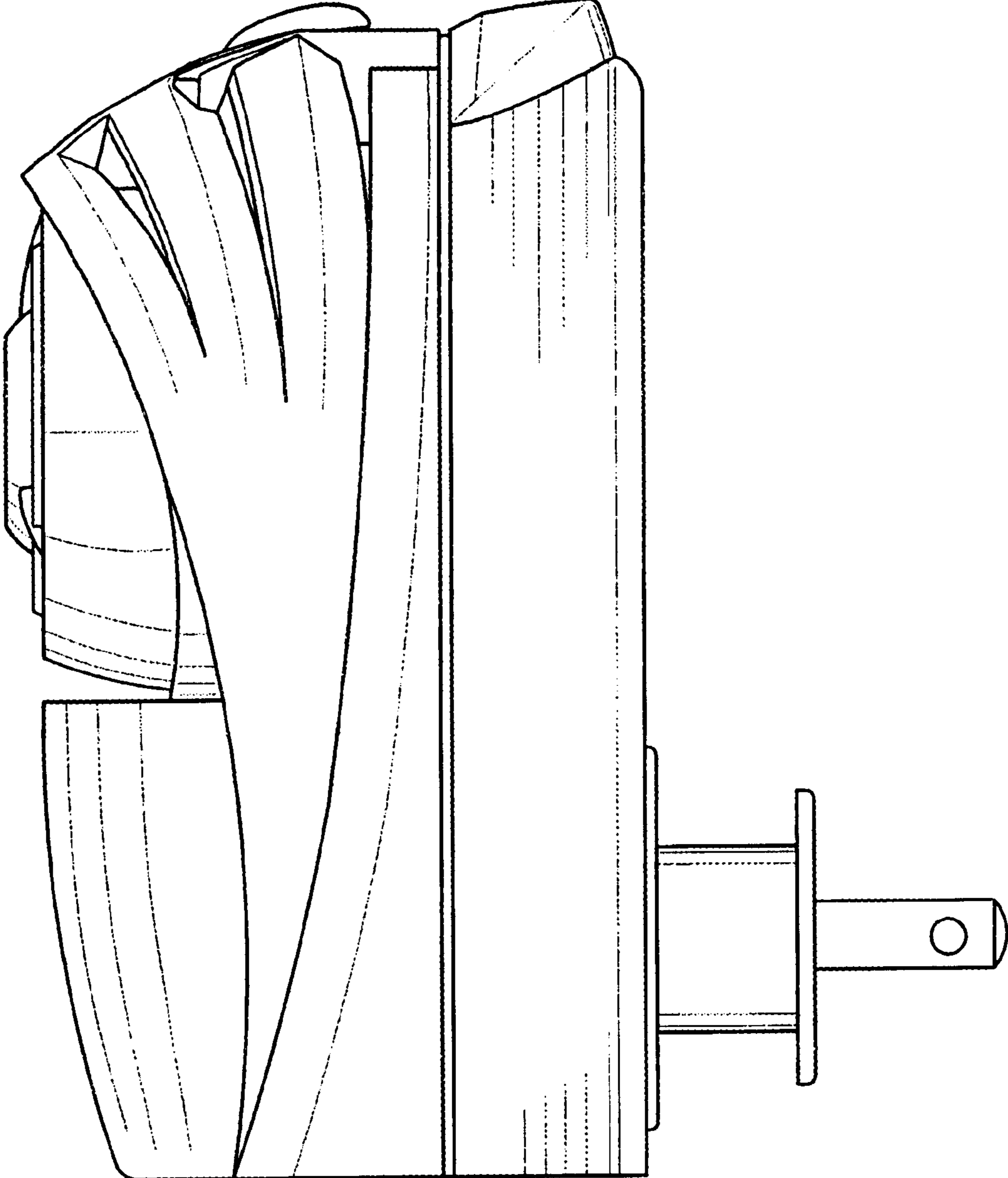


FIG. 3

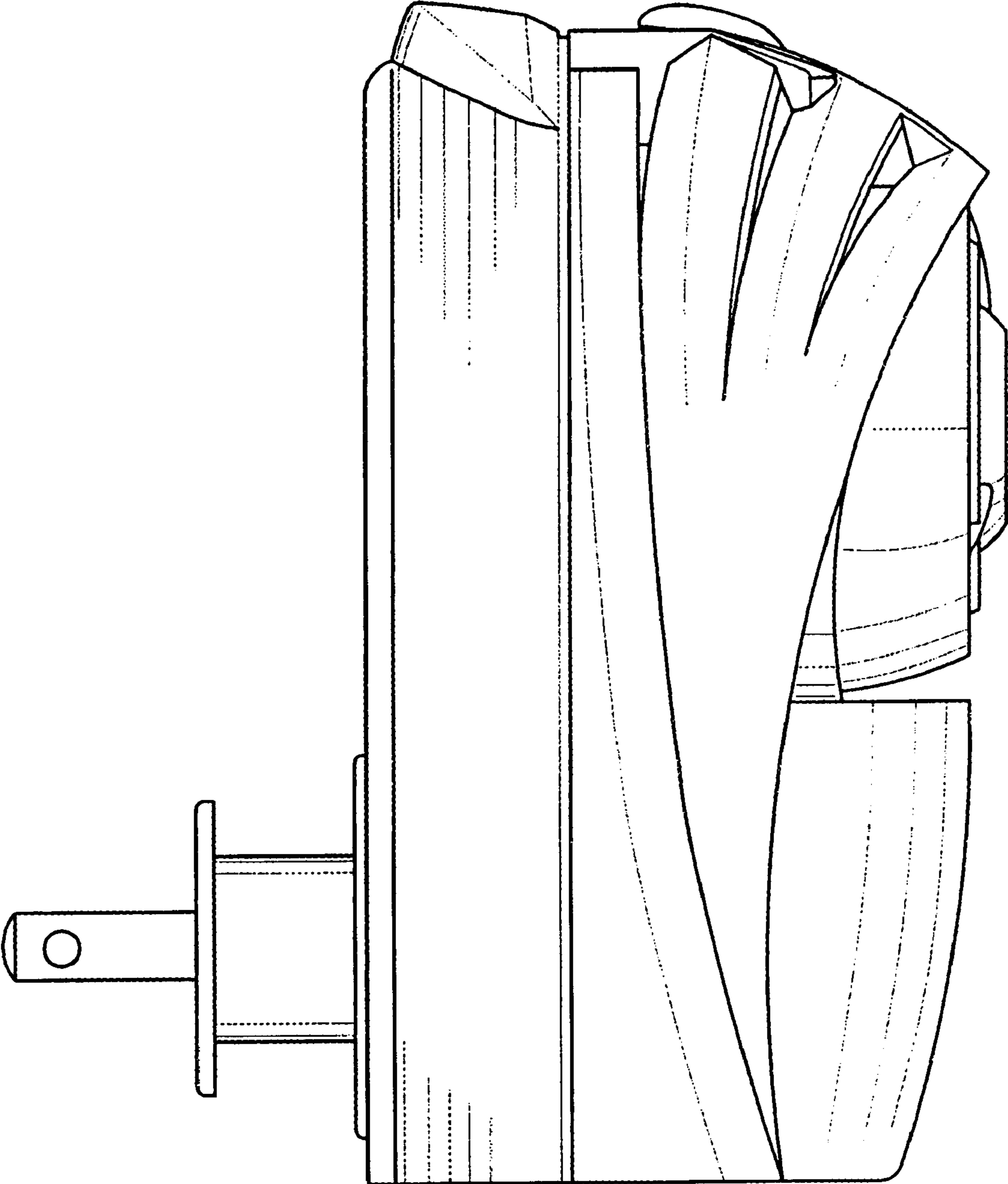


FIG. 4

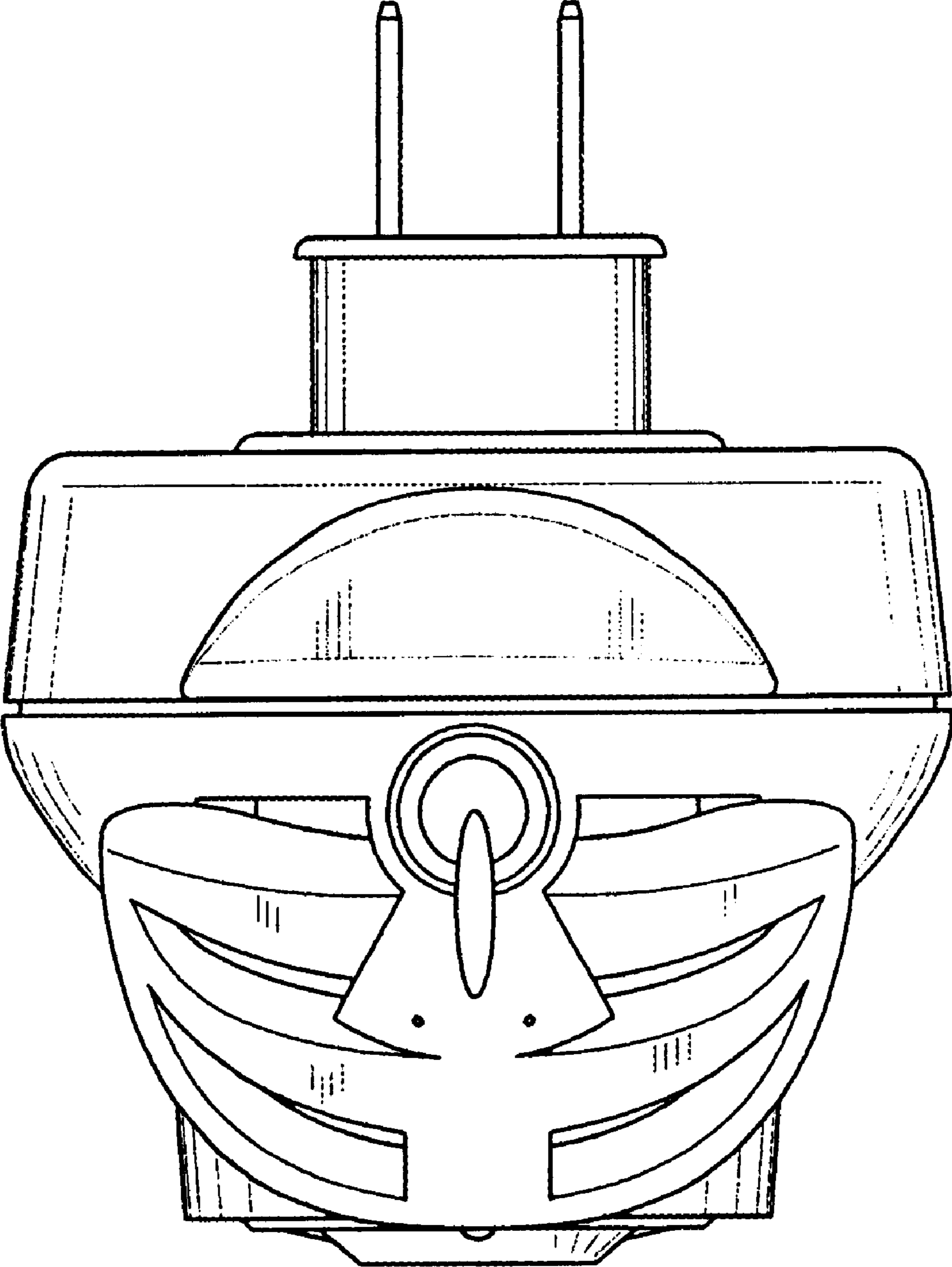


FIG. 5

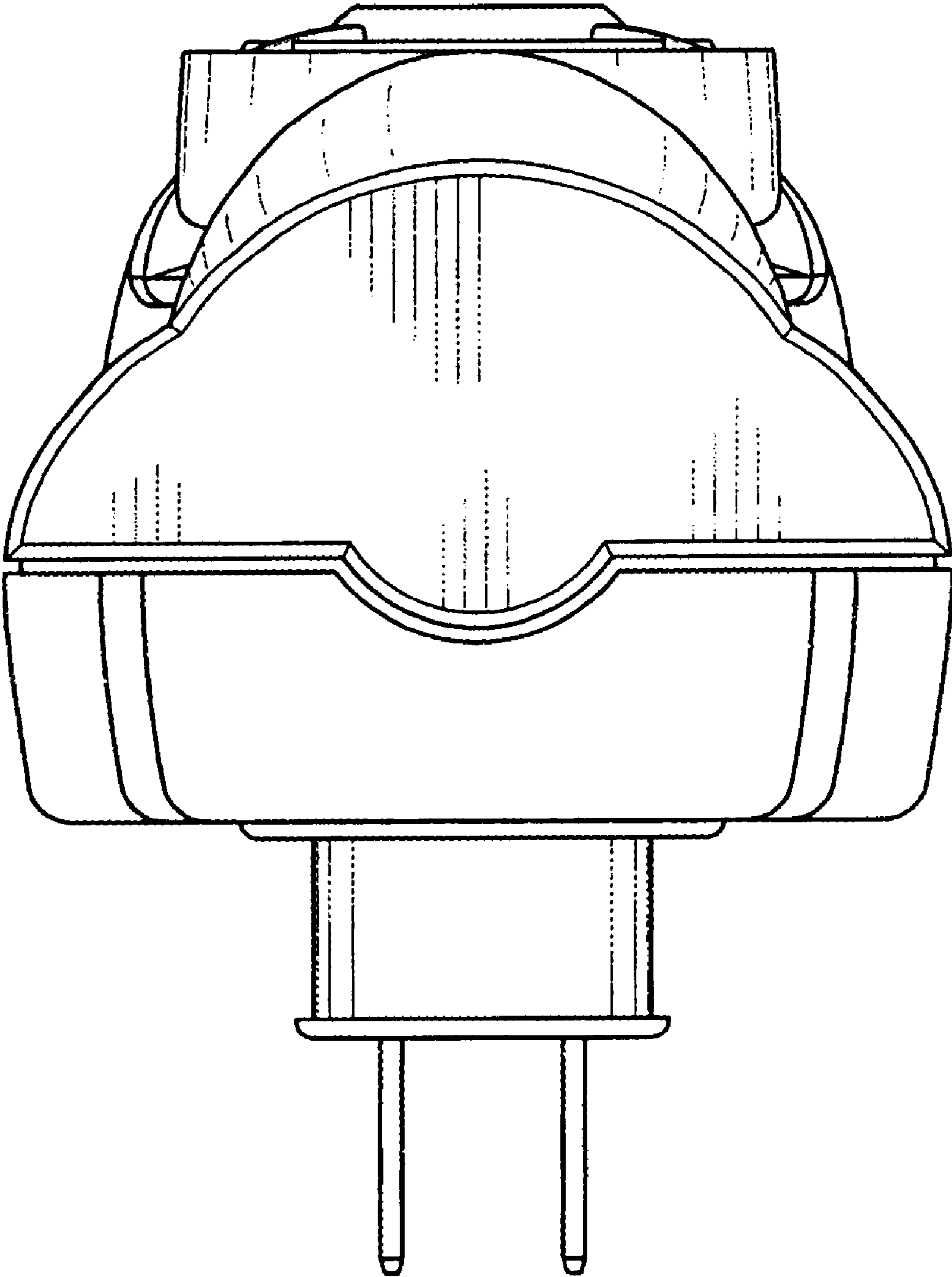


FIG. 6