



US00D516691S

(12) **United States Design Patent**
Caserta et al.

(10) **Patent No.:** **US D516,691 S**
(45) **Date of Patent:** **** Mar. 7, 2006**

(54) **PLUG-IN PORTION OF AN AIR FRESHENER DEVICE**

(75) Inventors: **Andrea Caserta**, Barcelona (ES);
Ruben García Fábrega, Barcelona (ES); **Pere Casas Colomer**, Barcelona (ES)

(73) Assignee: **DBK Espana, S.A.**, Barcelona (ES)

(**) Term: **14 Years**

(21) Appl. No.: **29/198,548**

(22) Filed: **Jan. 30, 2004**

(51) **LOC (8) Cl.** **23-04**

(52) **U.S. Cl.** **D23/366**

(58) **Field of Classification Search** 239/135,
239/136, 58; 261/DIG. 17, DIG. 65; D23/356-369;
392/390, 392; D21/392

See application file for complete search history.

(56) **References Cited**

U.S. PATENT DOCUMENTS

6,104,867 A	*	8/2000	Stathakis et al.	392/403
D437,636 S	*	2/2001	Basaganas	D23/366
D440,291 S	*	4/2001	Wolpert et al.	D23/360

(Continued)

Primary Examiner—Antoine Duval Davis

Assistant Examiner—Sandra Snapp

(74) *Attorney, Agent, or Firm*—Schiff Hardin LLP

(57) **CLAIM**

The ornamental design for a plug-in portion of an air freshener device, as shown and described.

DESCRIPTION

An air freshener device has a wall socket plug-in portion and a material container designed to fit in a recess of the socket plug in portion.

FIG. 1 is a front and side perspective view of an embodiment of a plug-in portion of an air freshener device in accordance with the present invention;

FIG. 2 is a back view of an embodiment of a plug-in portion of an air freshener device in accordance with the present invention;

FIG. 3 is a side view of an embodiment of a plug-in portion of an air freshener device in accordance with the present invention;

FIG. 4 is a top view of an embodiment of a plug-in portion of an air freshener device in accordance with the present invention;

FIG. 5 is a front view of an embodiment of a plug-in portion of an air freshener device in accordance with the present invention;

FIG. 6 is a side view of an embodiment of a plug-in portion of an air freshener device in accordance with the present invention;

FIG. 7 is a bottom view of an embodiment of a plug-in portion of an air freshener device in accordance with the present invention;

FIG. 8 is a front and side perspective view of an embodiment of a combined plug-in portion and material container portion of an air freshener device in accordance with the present invention;

FIG. 9 is a back view of an embodiment of a combined plug-in portion and material container portion of an air freshener device in accordance with the present invention;

FIG. 10 is a side view of an embodiment of a combined plug-in portion and material container portion of an air freshener device in accordance with the present invention;

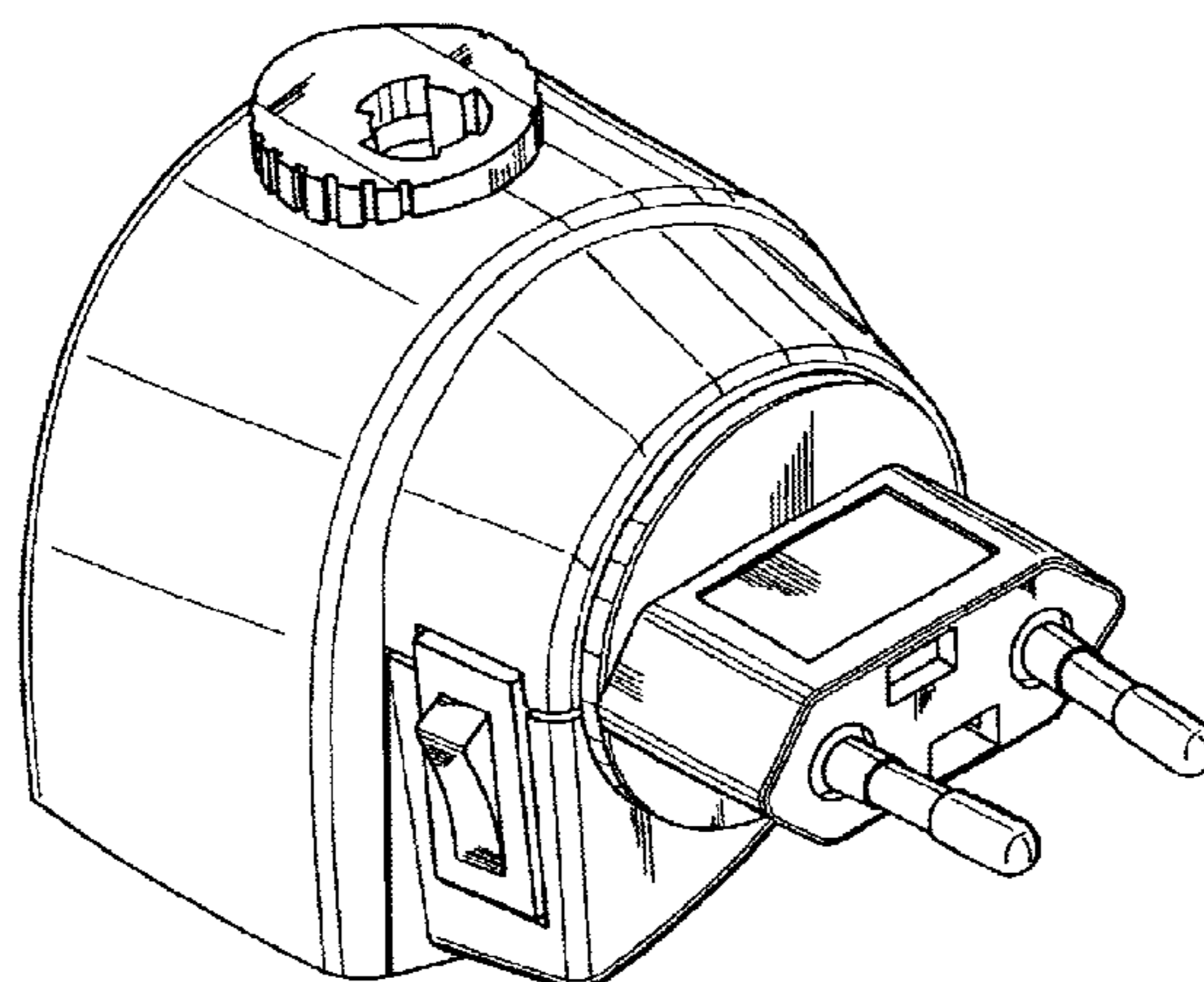
FIG. 11 is a top view of an embodiment of a combined plug-in portion and material container portion of an air freshener device in accordance with the present invention;

FIG. 12 is a front view of an embodiment of a combined plug-in portion and material container portion of an air freshener device in accordance with the present invention;

FIG. 13 is a side view of an embodiment of a combined plug-in portion and material container portion of an air freshener device in accordance with the present invention; and,

FIG. 14 is a bottom view of an embodiment of a combined plug-in portion and material container portion of an air freshener device in accordance with the present invention.

1 Claim, 14 Drawing Sheets



US D516,691 S

Page 2

U.S. PATENT DOCUMENTS

D447,550 S	*	9/2001	Basaganas	D23/366	D466,204 S	*	11/2002	Wolpert et al.	D23/366
D449,101 S	*	10/2001	Wolpert et al.	D23/366	D469,862 S	*	2/2003	Cruver et al.	D23/366
D461,885 S	*	8/2002	Jordi	D23/366	D501,546 S	*	2/2005	Cruver et al.	D23/366
D462,755 S	*	9/2002	Basaganas Millan	D23/366					

* cited by examiner

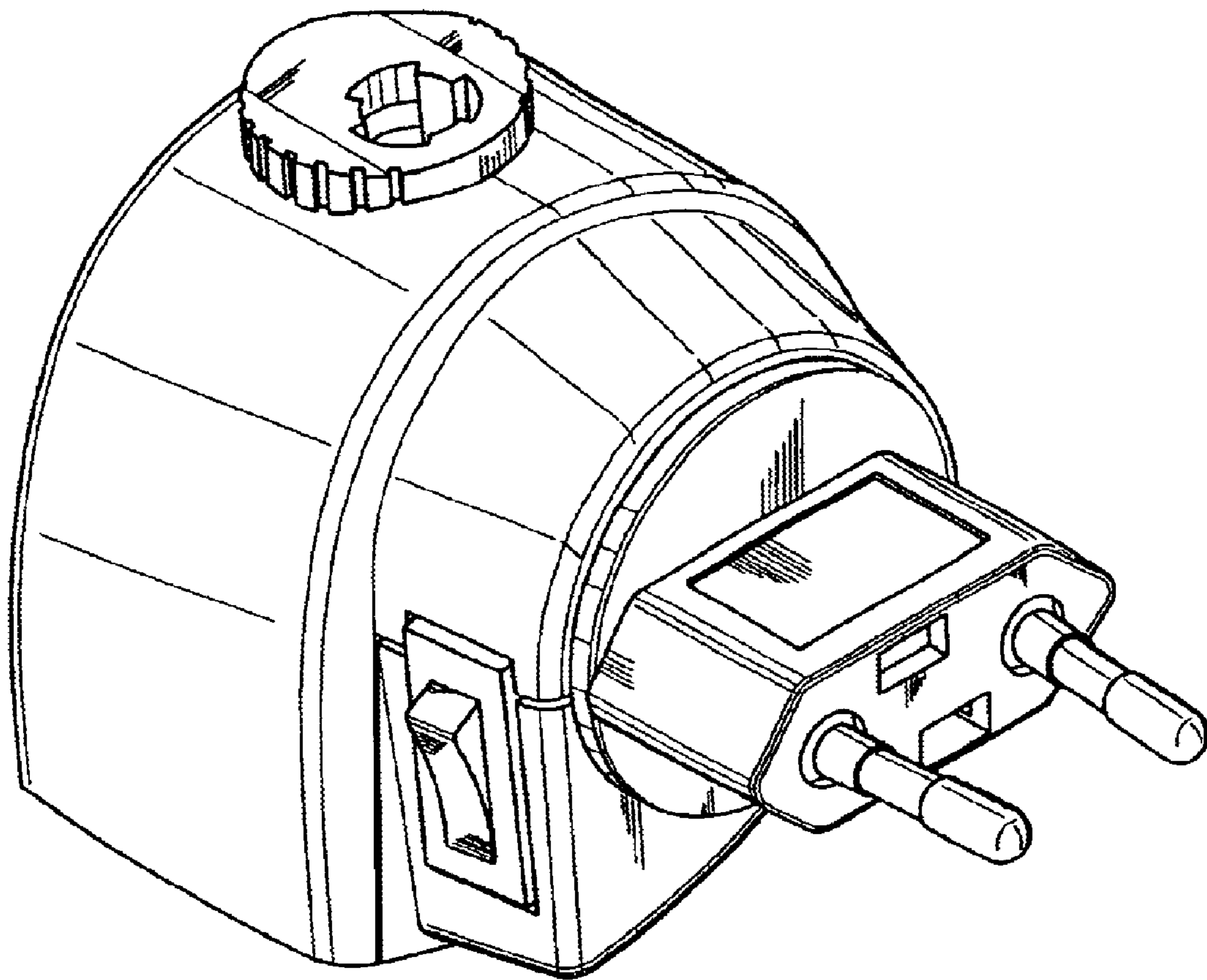


FIG. 1

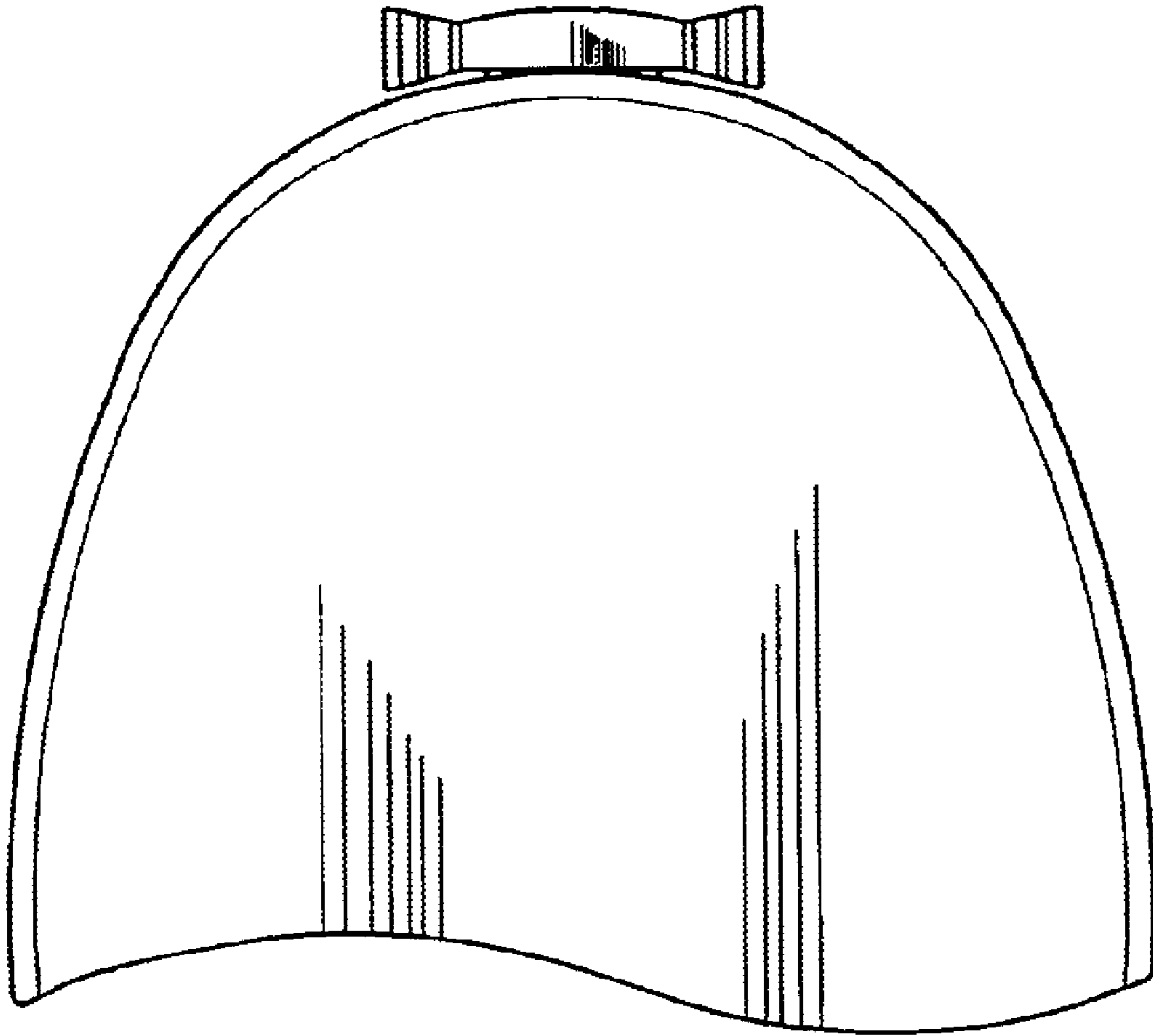


FIG. 2

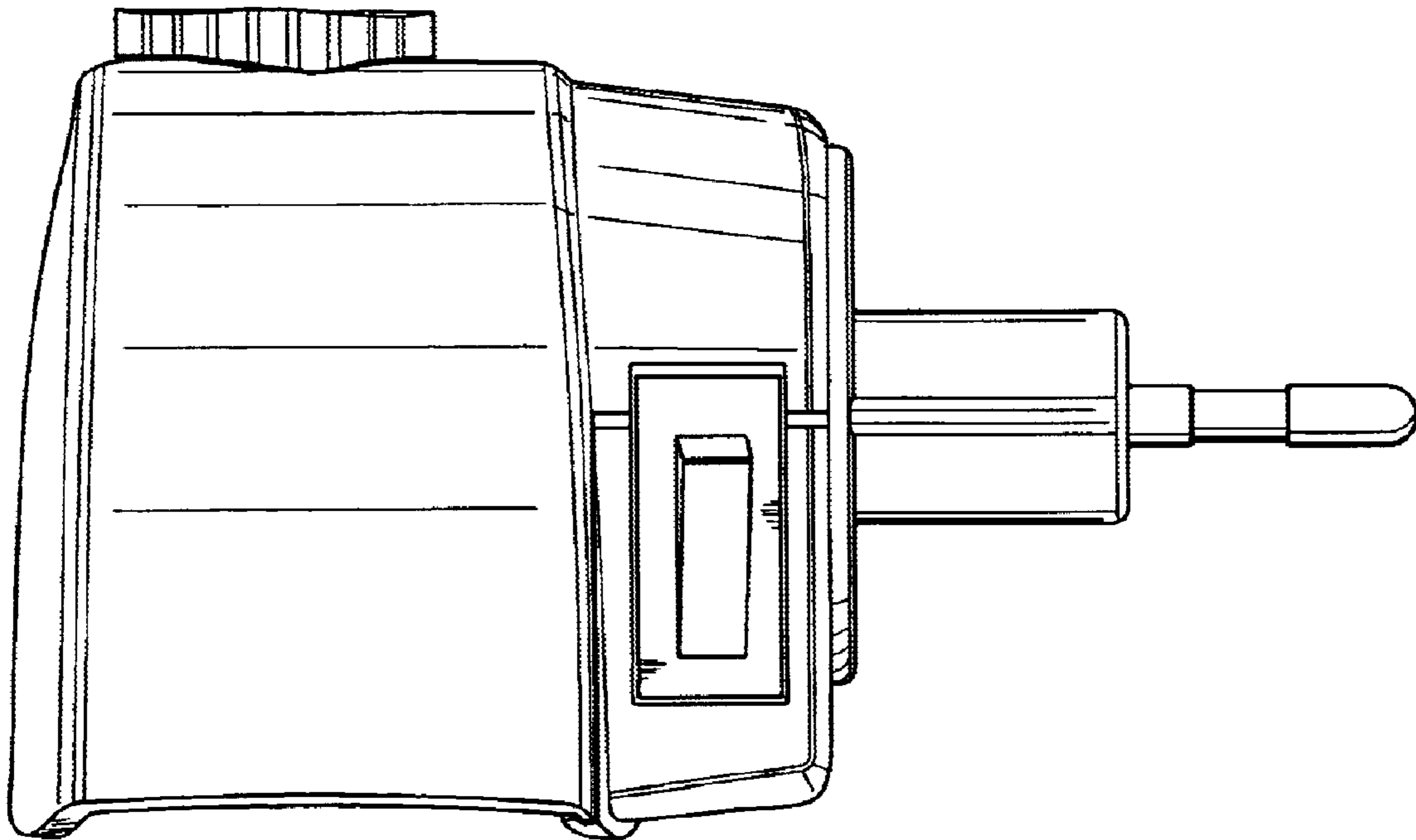


FIG. 3

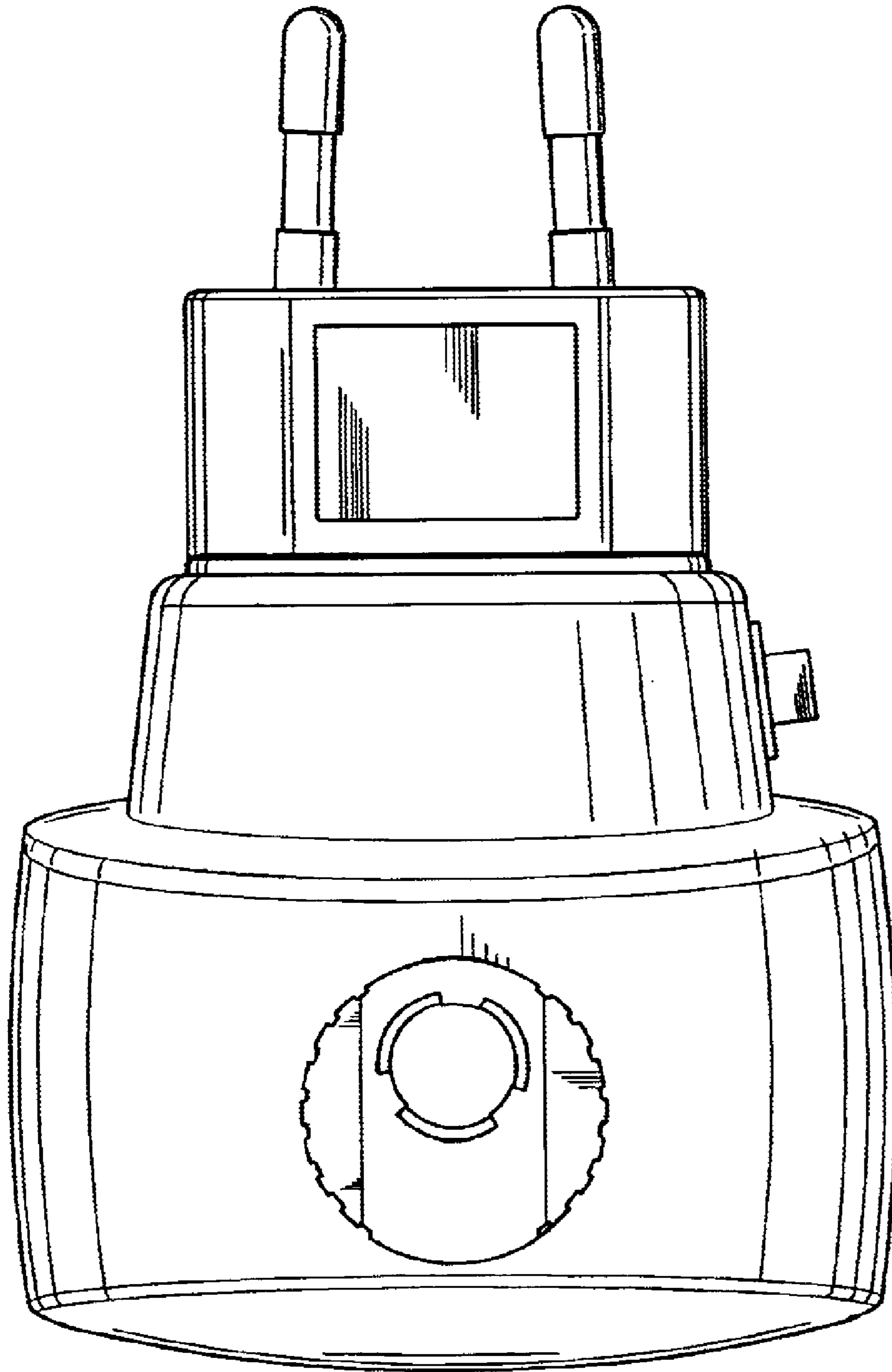


FIG. 4

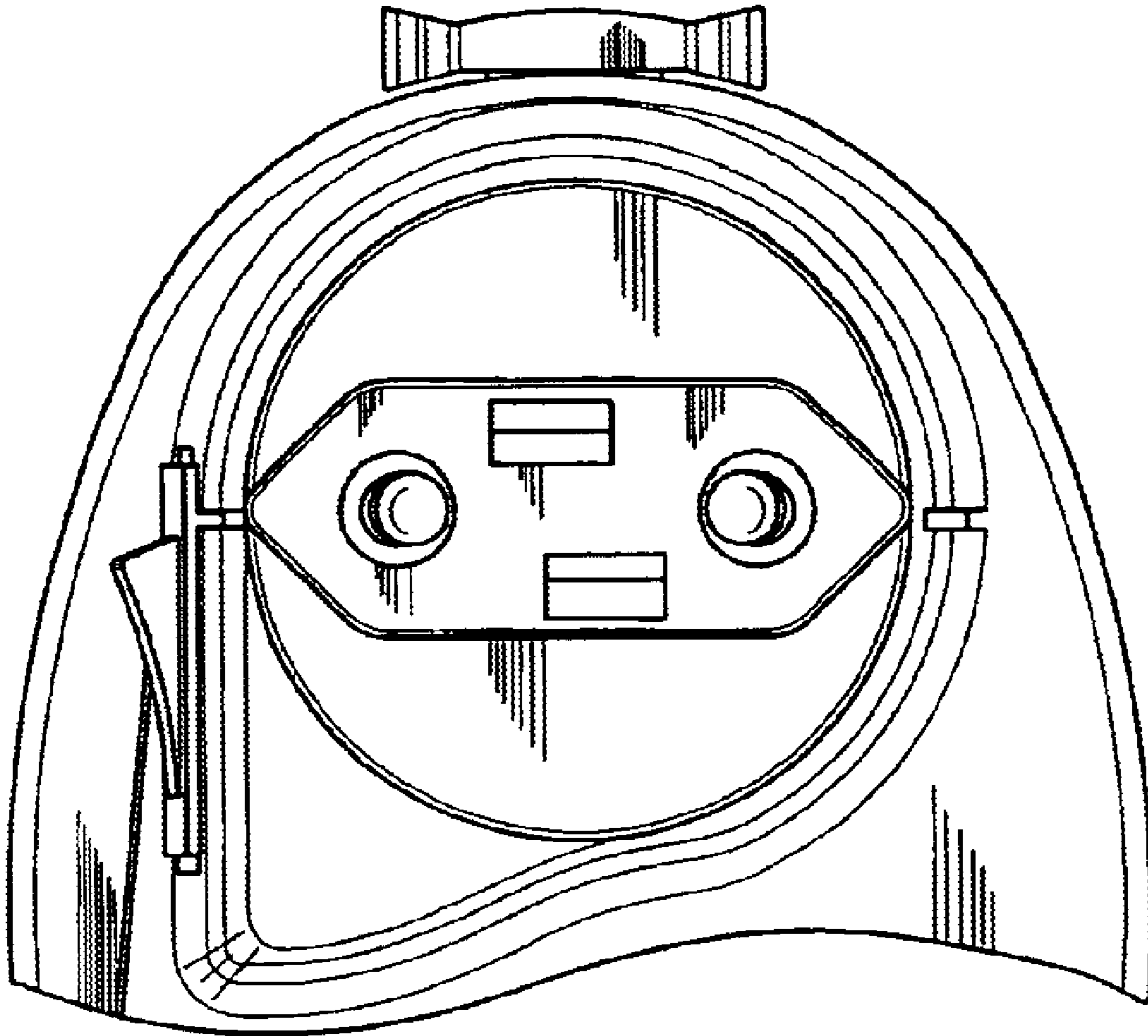


FIG. 5

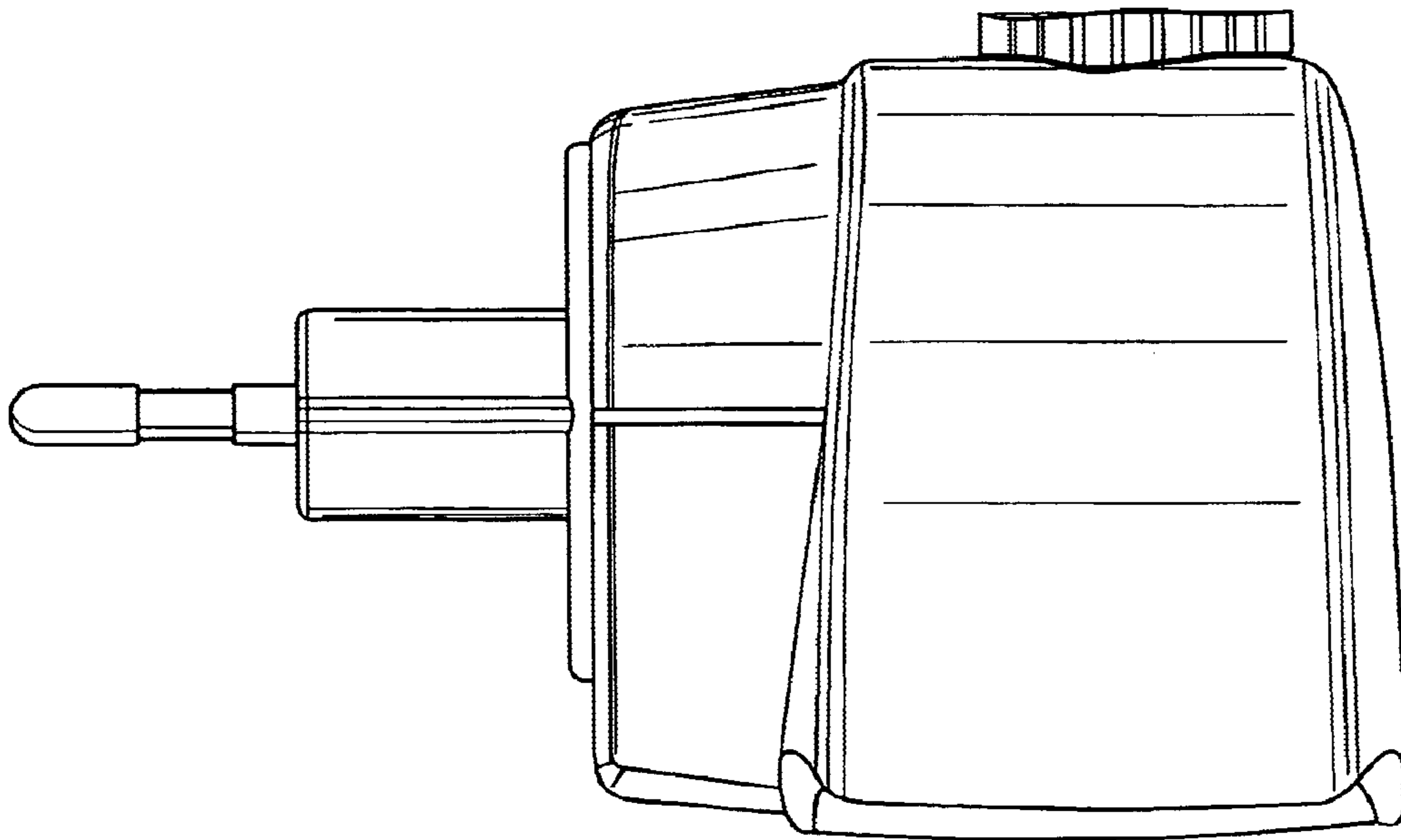


FIG. 6

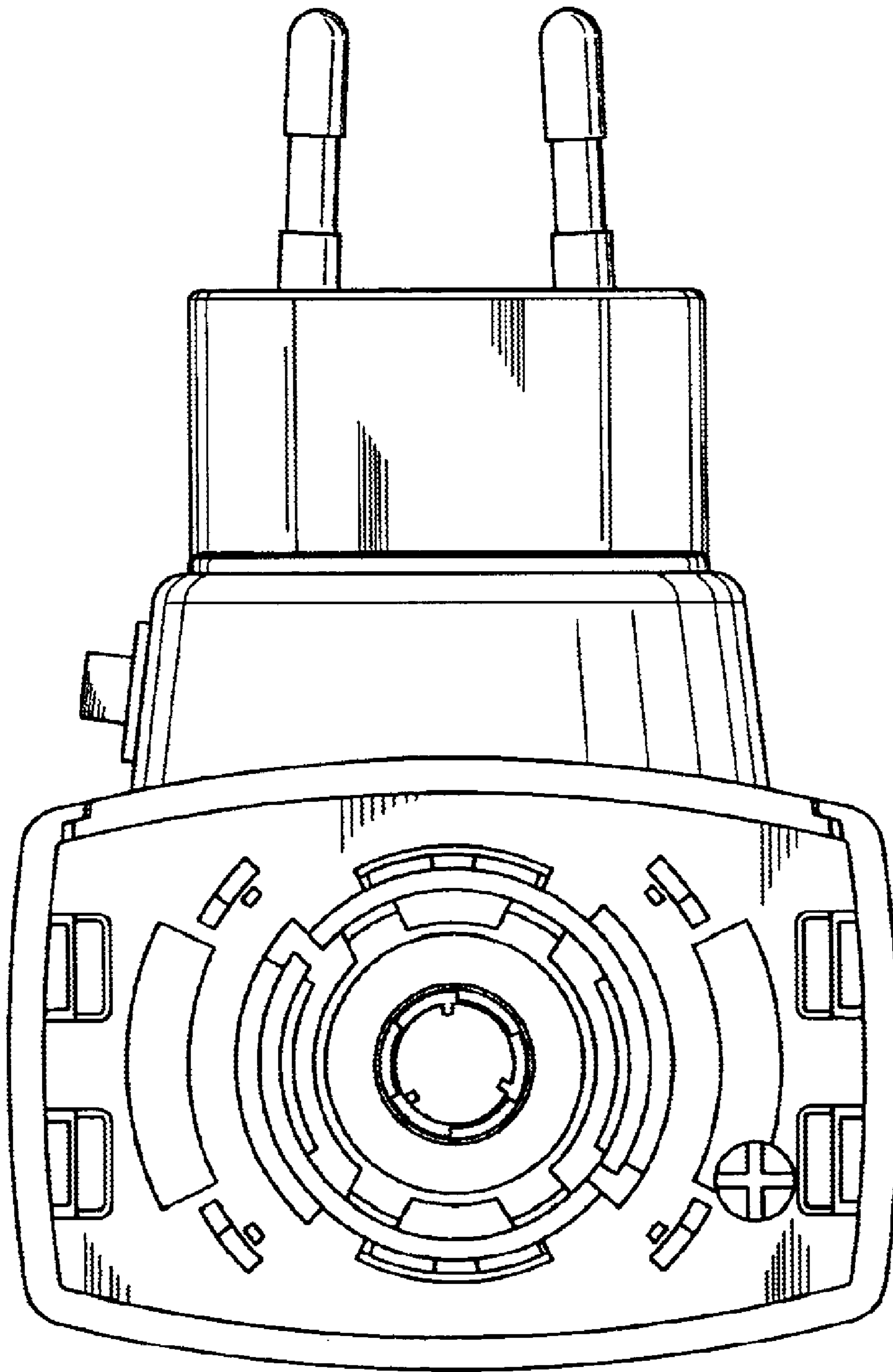


FIG. 7

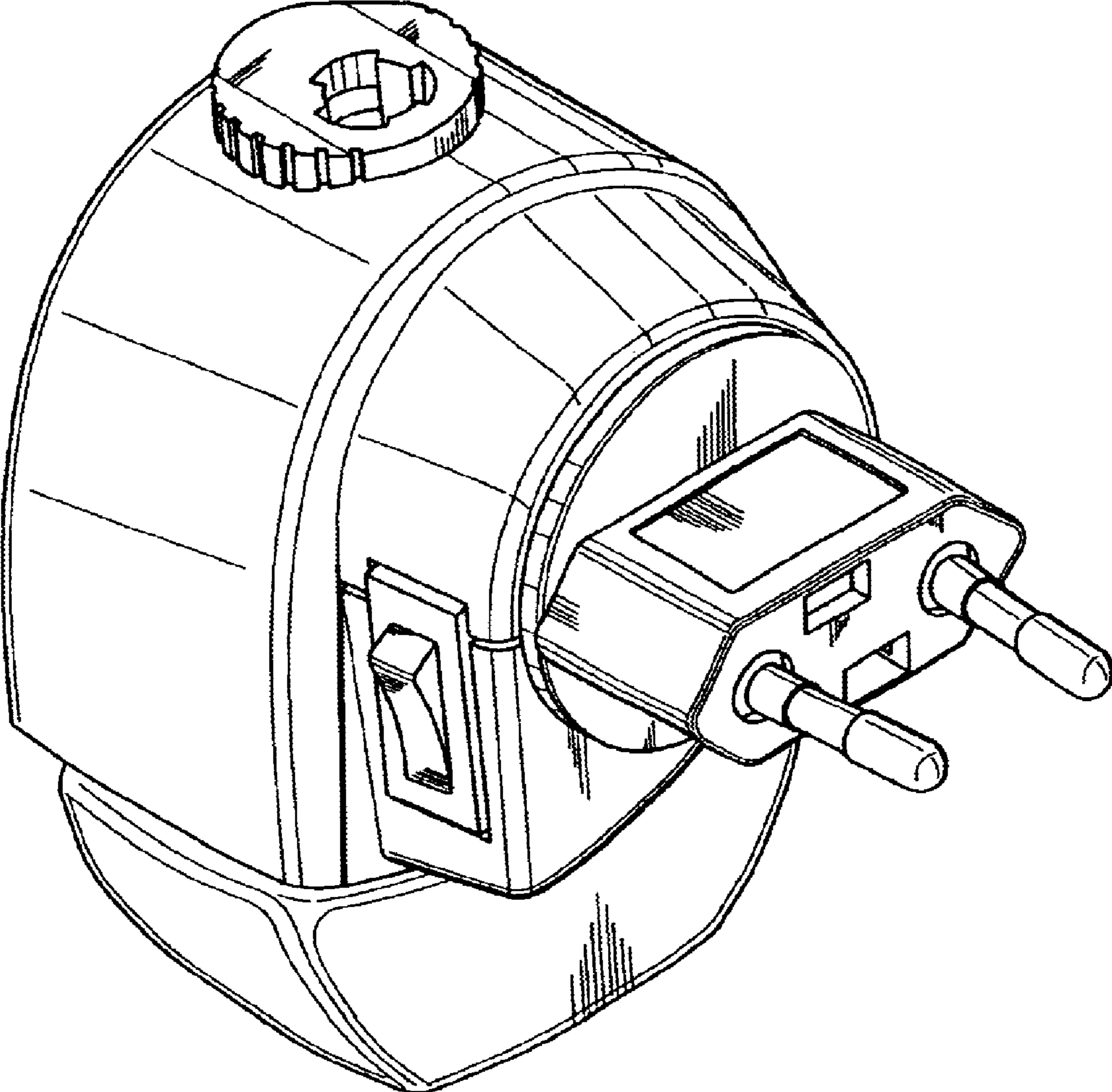


FIG. 8

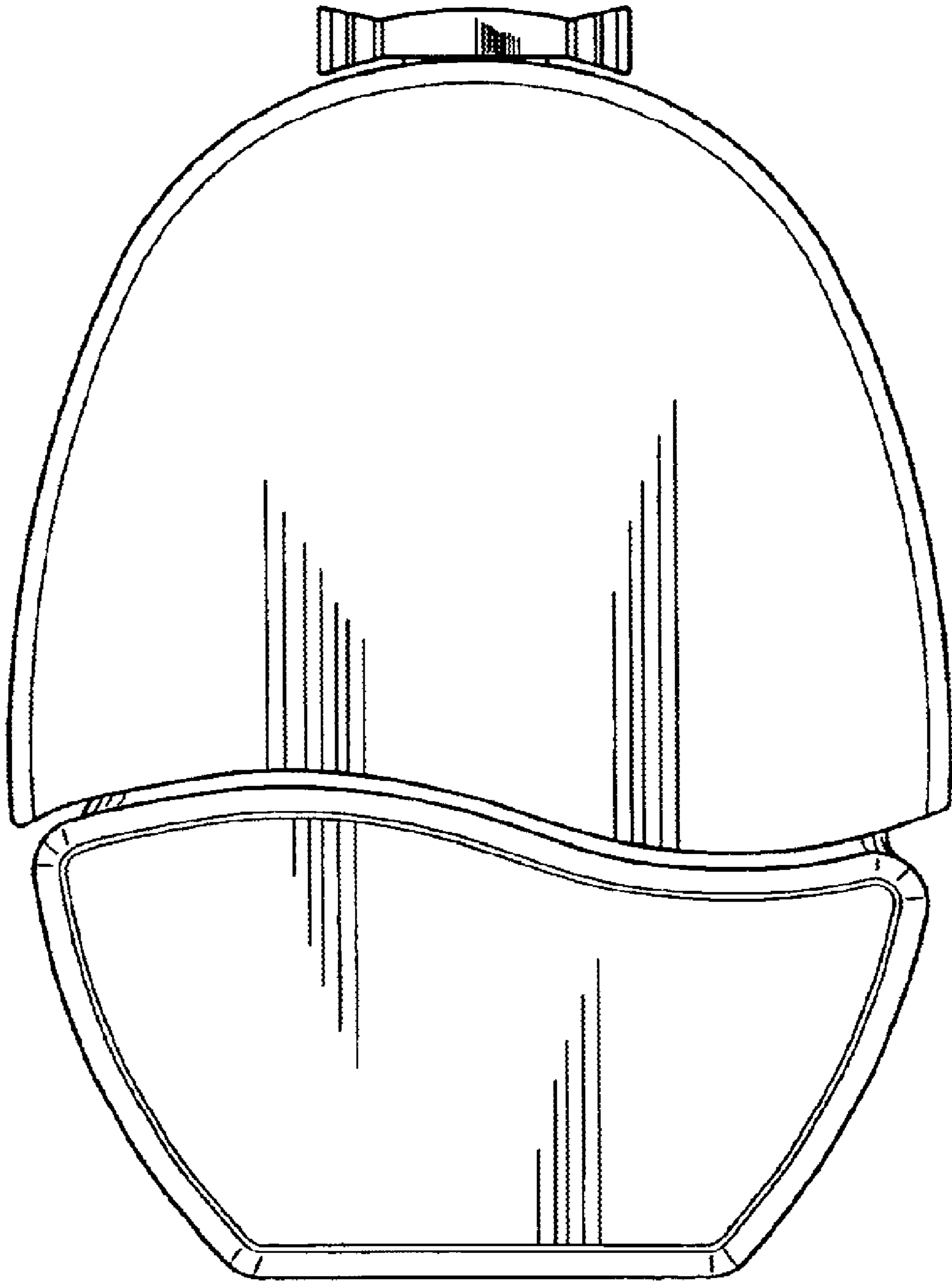


FIG. 9

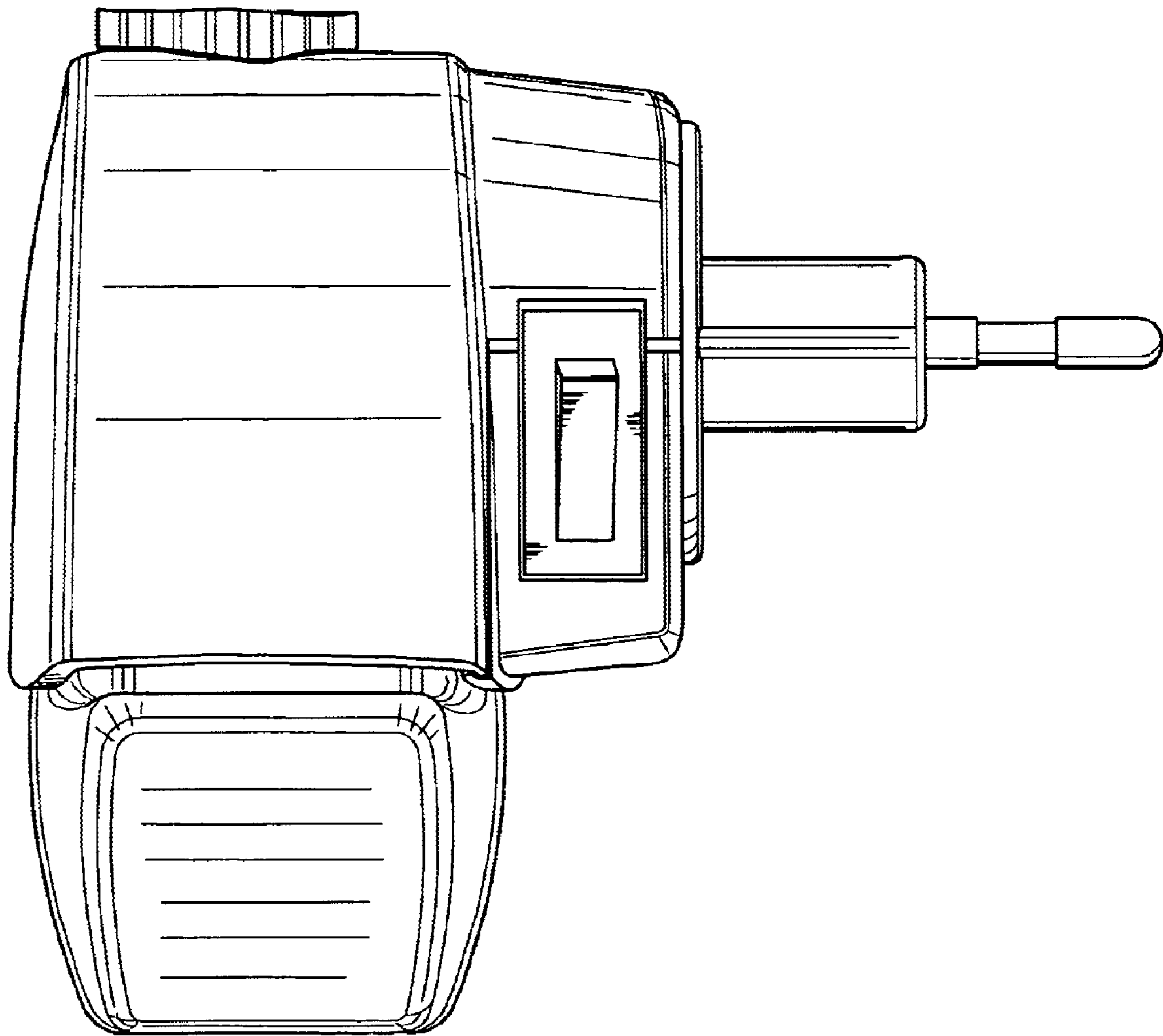


FIG. 10

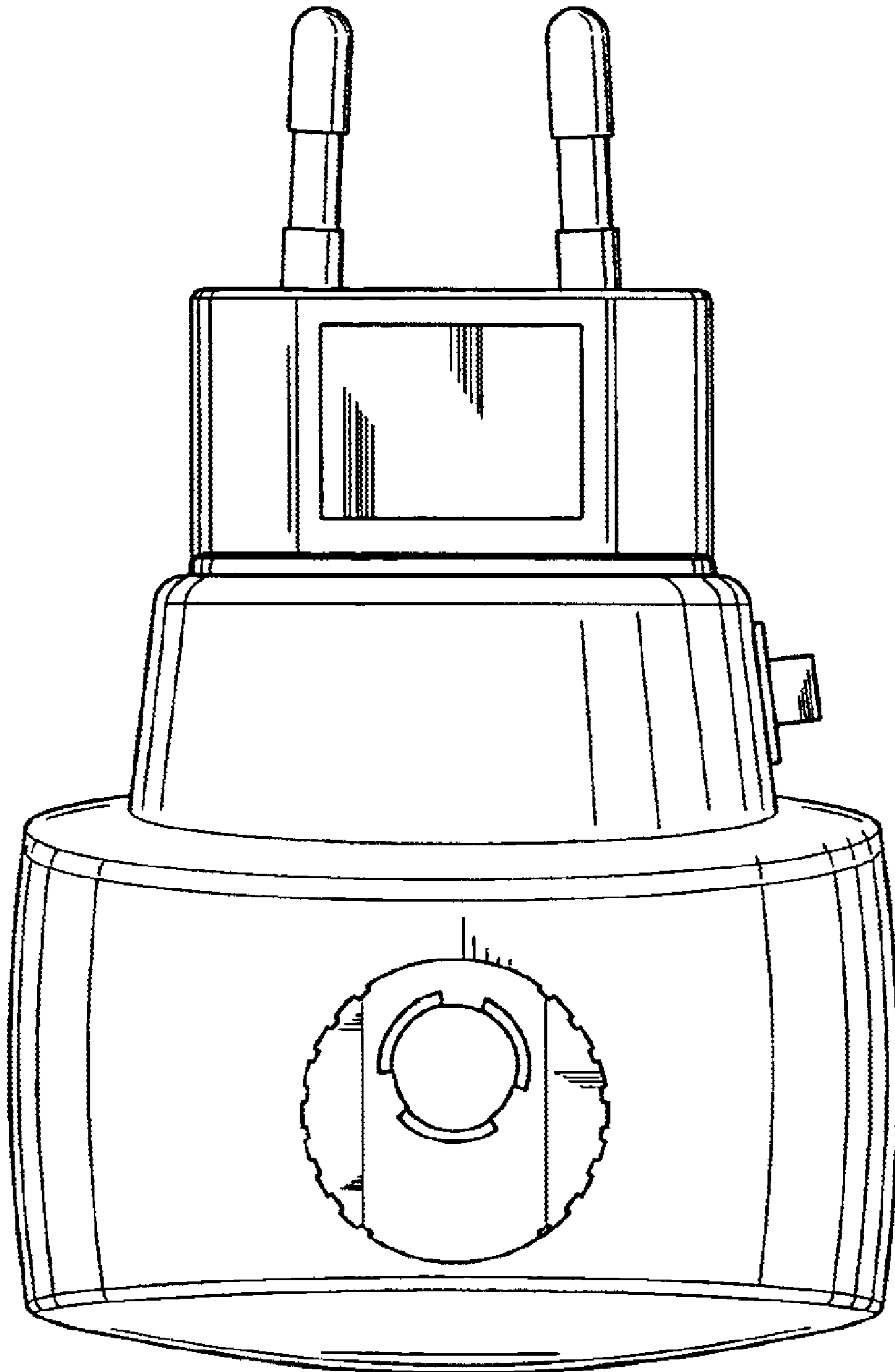


FIG. 11

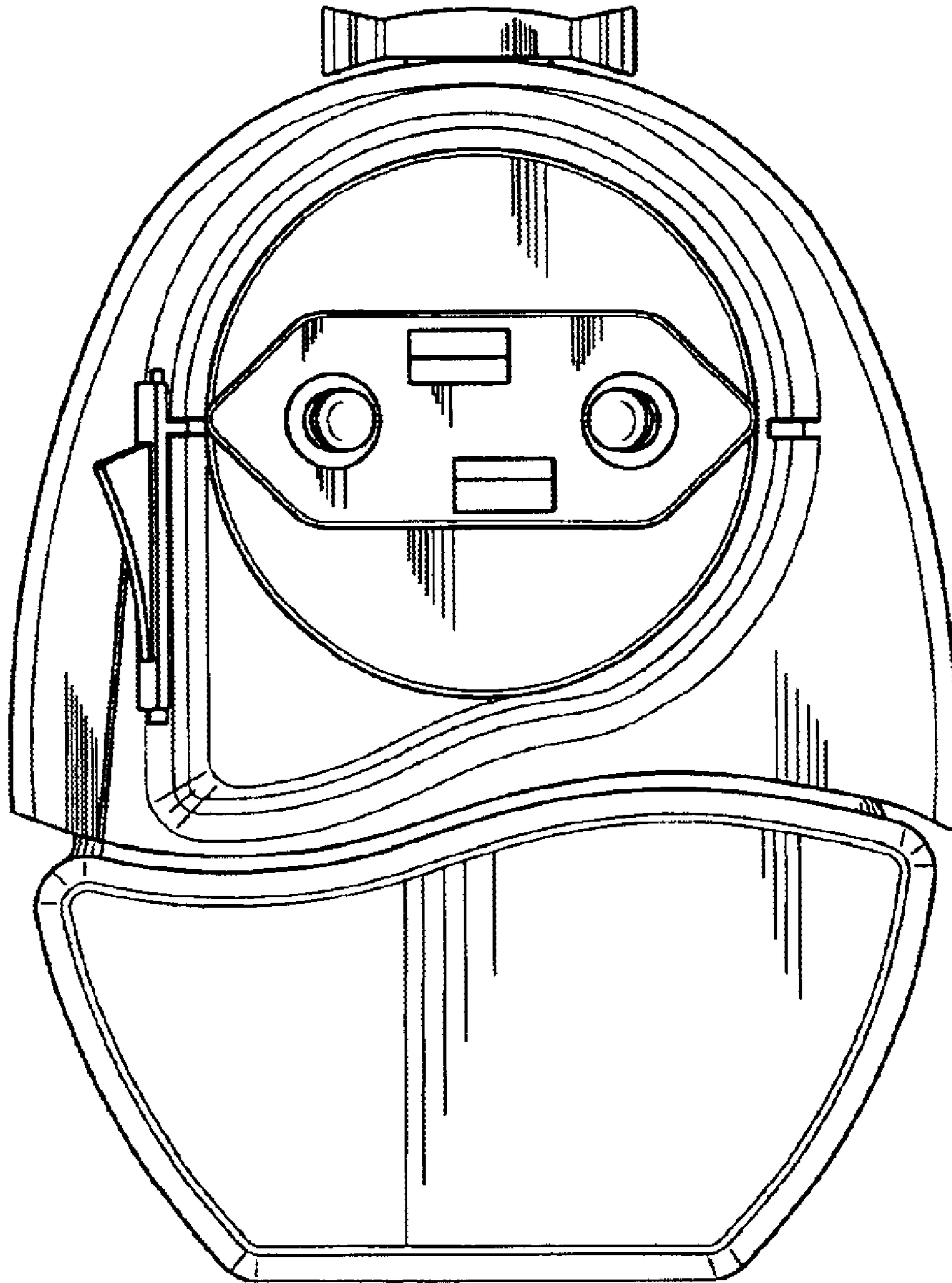


FIG. 12

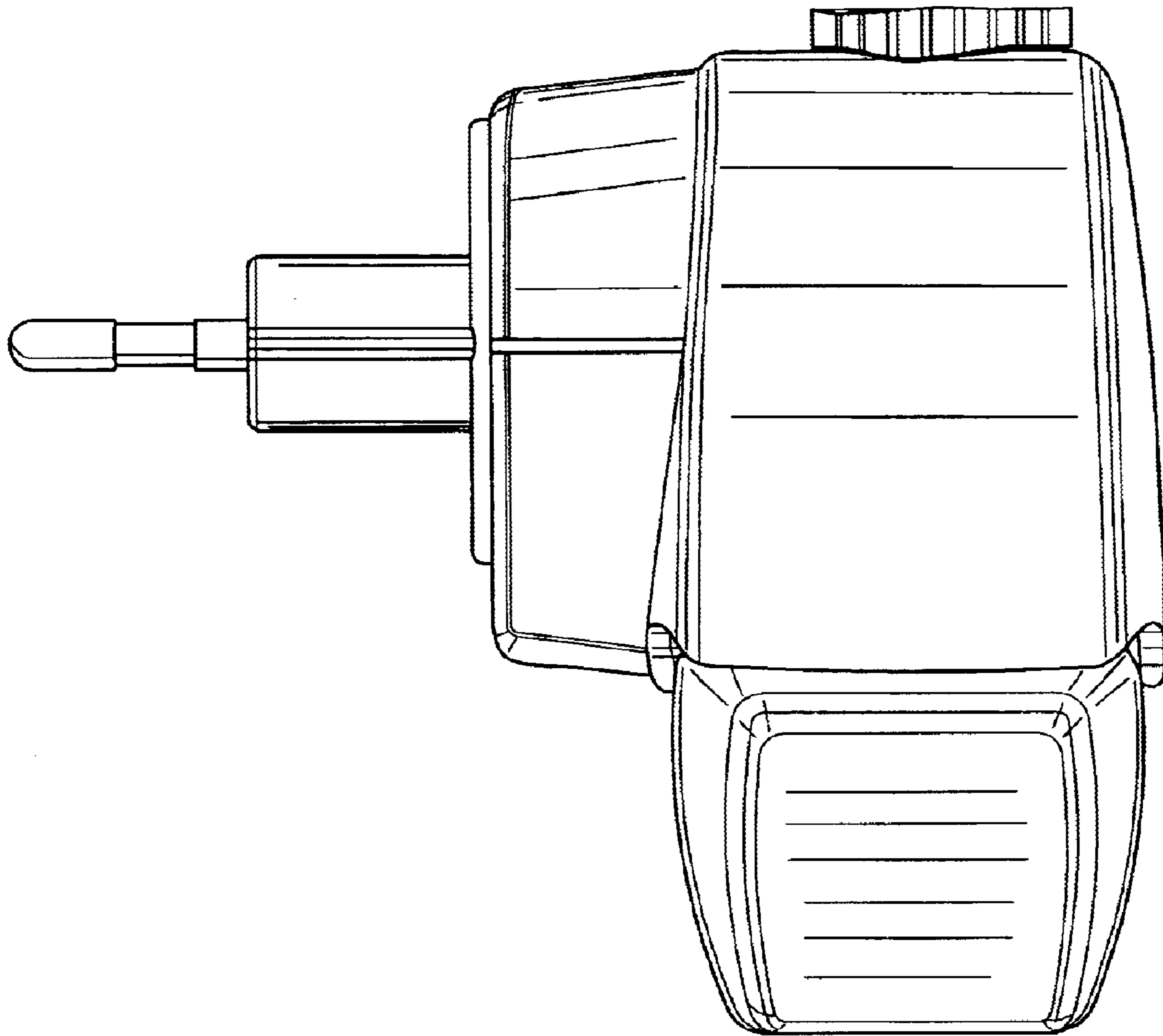


FIG. 13

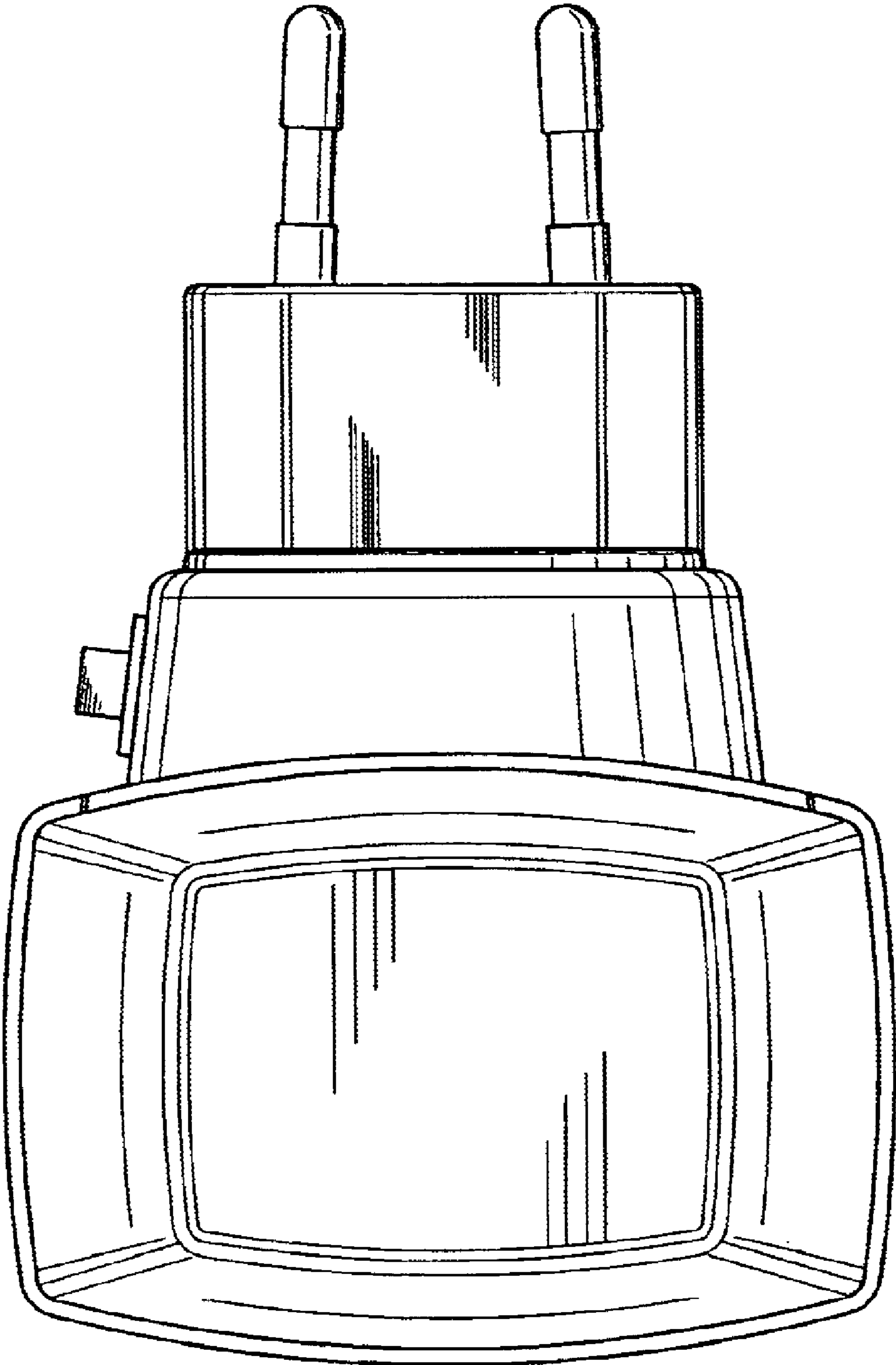


FIG. 14