



US00D516687S

(12) **United States Design Patent**
Shapiro

(10) **Patent No.:** **US D516,687 S**
(45) **Date of Patent:** **** Mar. 7, 2006**

(54) **PEDESTAL HEATER**

(75) Inventor: **Barry Shapiro**, Doylestown, PA (US)

(73) Assignee: **Lasko Holdings, Inc.**, Wilmington, DE (US)

(**) Term: **14 Years**

(21) Appl. No.: **29/197,208**

(22) Filed: **Jan. 9, 2004**

(51) **LOC (8) Cl.** **23-03**

(52) **U.S. Cl.** **D23/332; D23/335**

(58) **Field of Classification Search** D23/314,
D23/332, 335-337, 339-341; 126/9 A, 92 A,
126/92 B, 92 AC, 110 B, 110 D; 392/365-369,
392/373-376; 312/236

See application file for complete search history.

(56) **References Cited**

U.S. PATENT DOCUMENTS

- D481,783 S * 11/2003 Fok D23/328
- D483,457 S * 12/2003 Wang D23/336
- D499,473 S * 12/2004 Ching D23/332

* cited by examiner

Primary Examiner—Brian N Vinson

(74) *Attorney, Agent, or Firm*—RatnerPrestia

(57) **CLAIM**

The ornamental design for a pedestal heater, as shown and described.

DESCRIPTION

FIG. 1 is a right side front perspective view of a heater showing an embodiment of my new design;

FIG. 2 is a left side rear perspective view of the embodiment shown in FIG. 1;

FIG. 3 is a front elevation view of the embodiment shown in FIG. 1;

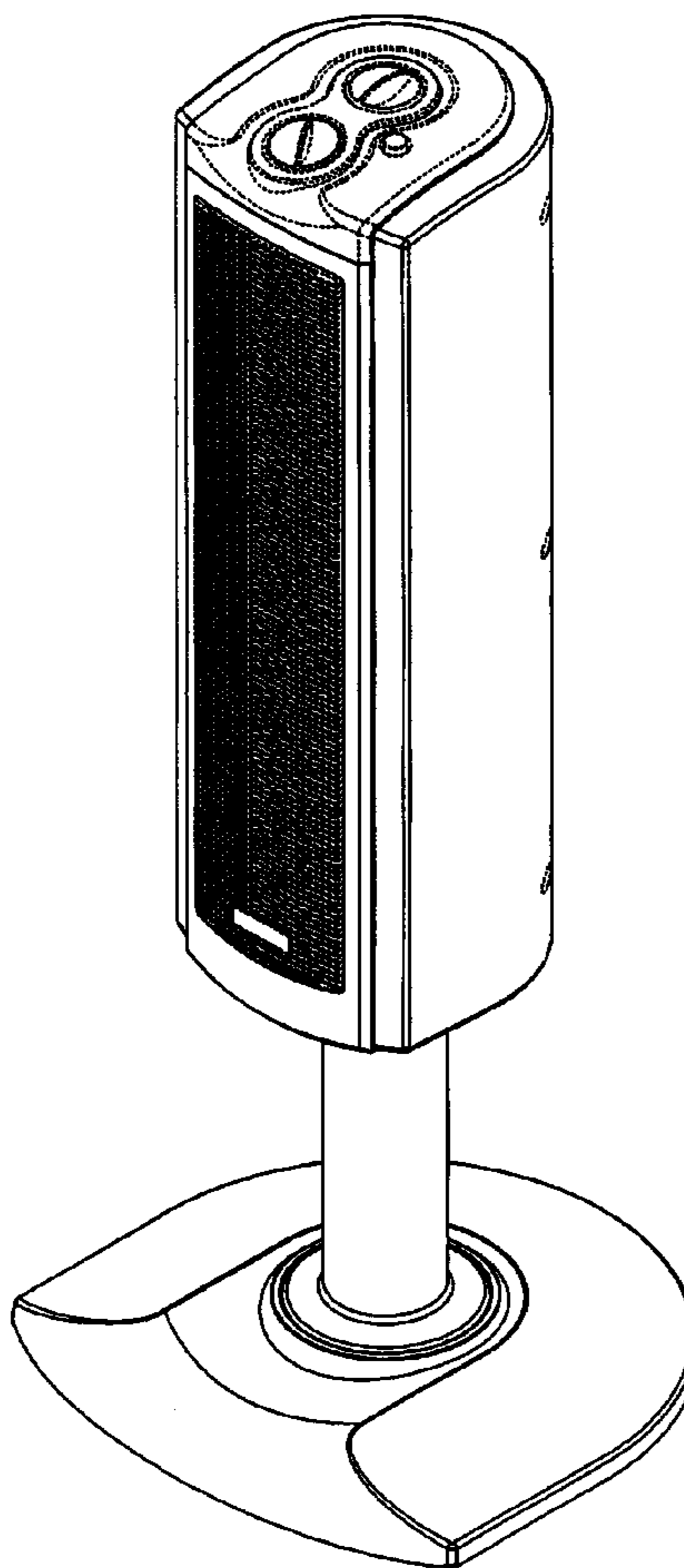
FIG. 4 is a side elevation view of the embodiment shown in FIG. 1, the opposite side being a mirror image of that shown;

FIG. 5 is a rear elevation view of the embodiment shown in FIG. 1; and,

FIG. 6 is a top plan view of the embodiment shown in FIG. 1.

The broken line showing of environmental structure in FIGS. 1-6 is for illustrative purposes only and forms no part of the claimed design.

1 Claim, 6 Drawing Sheets



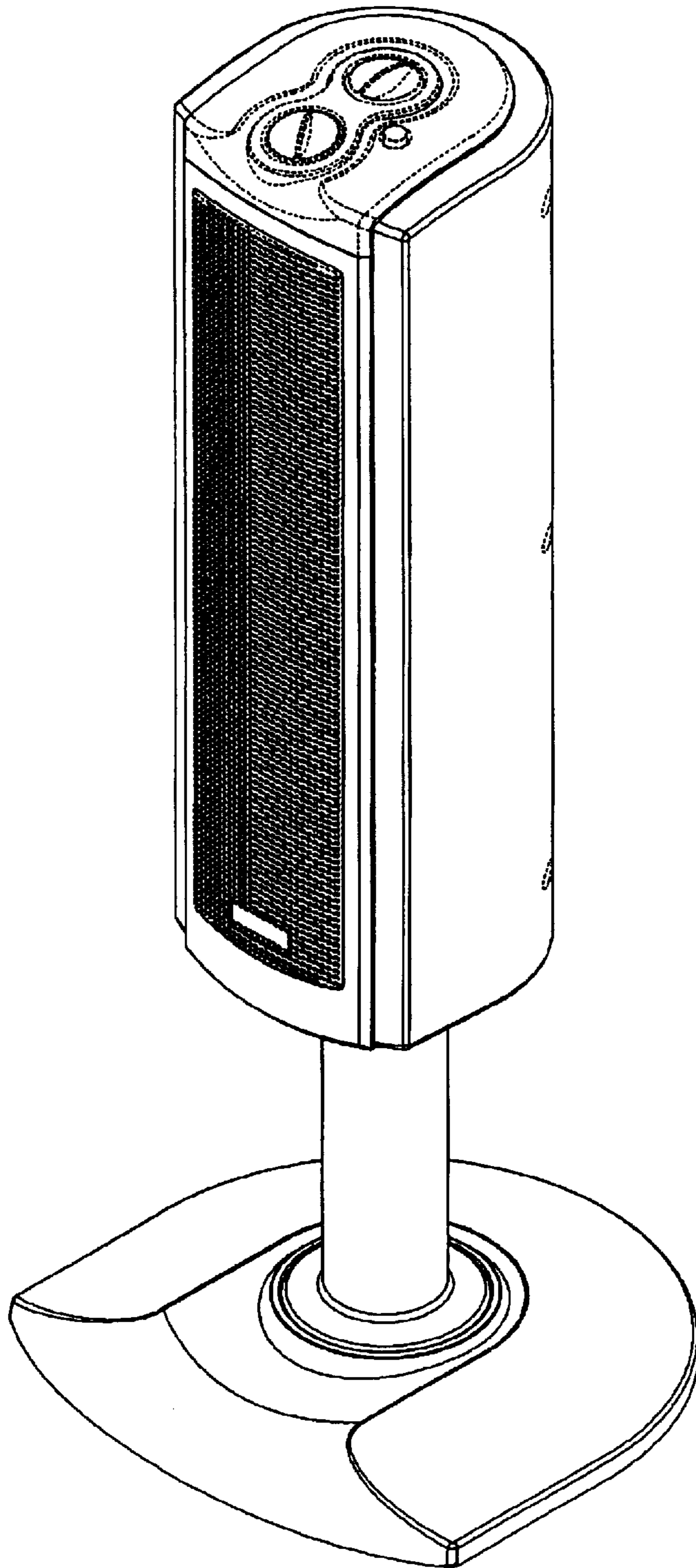


FIG. 1

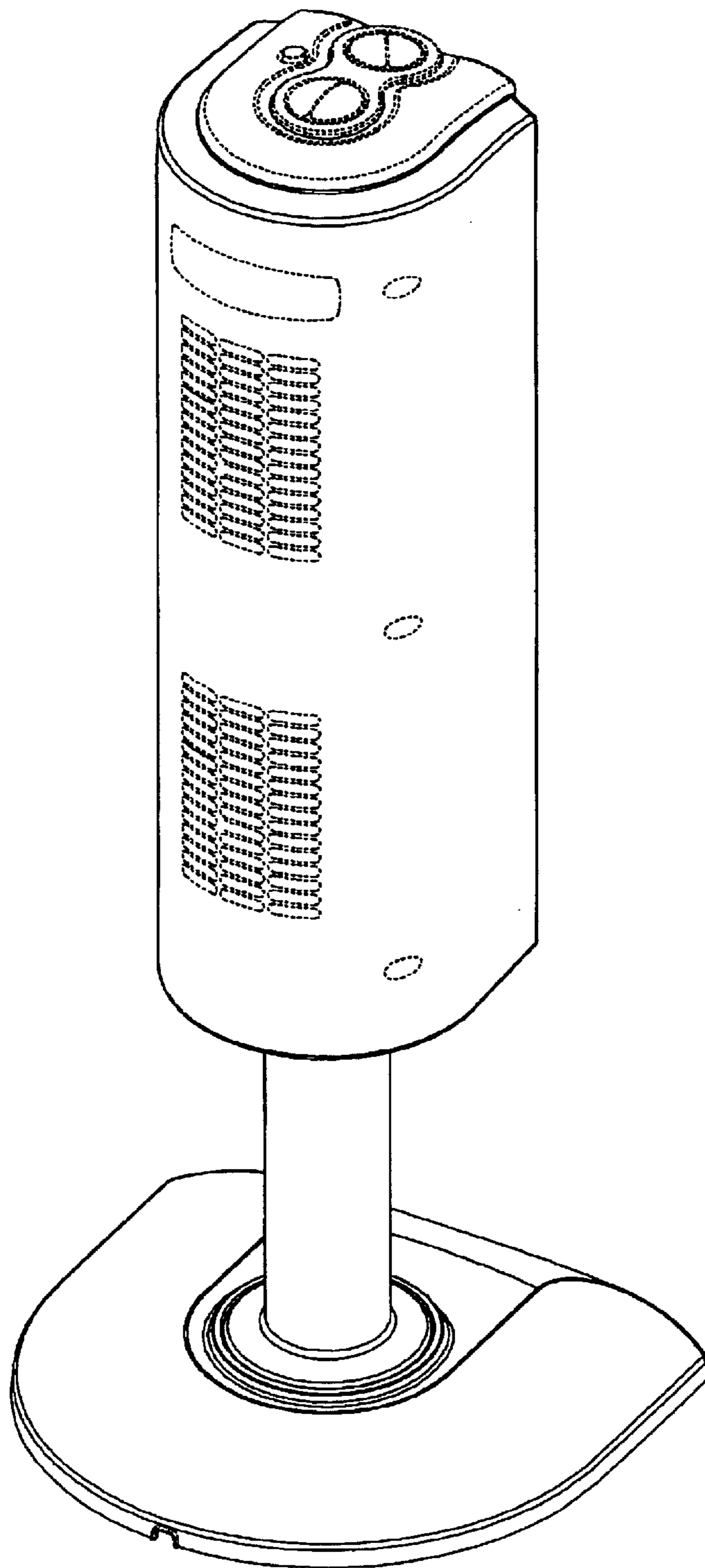


FIG. 2

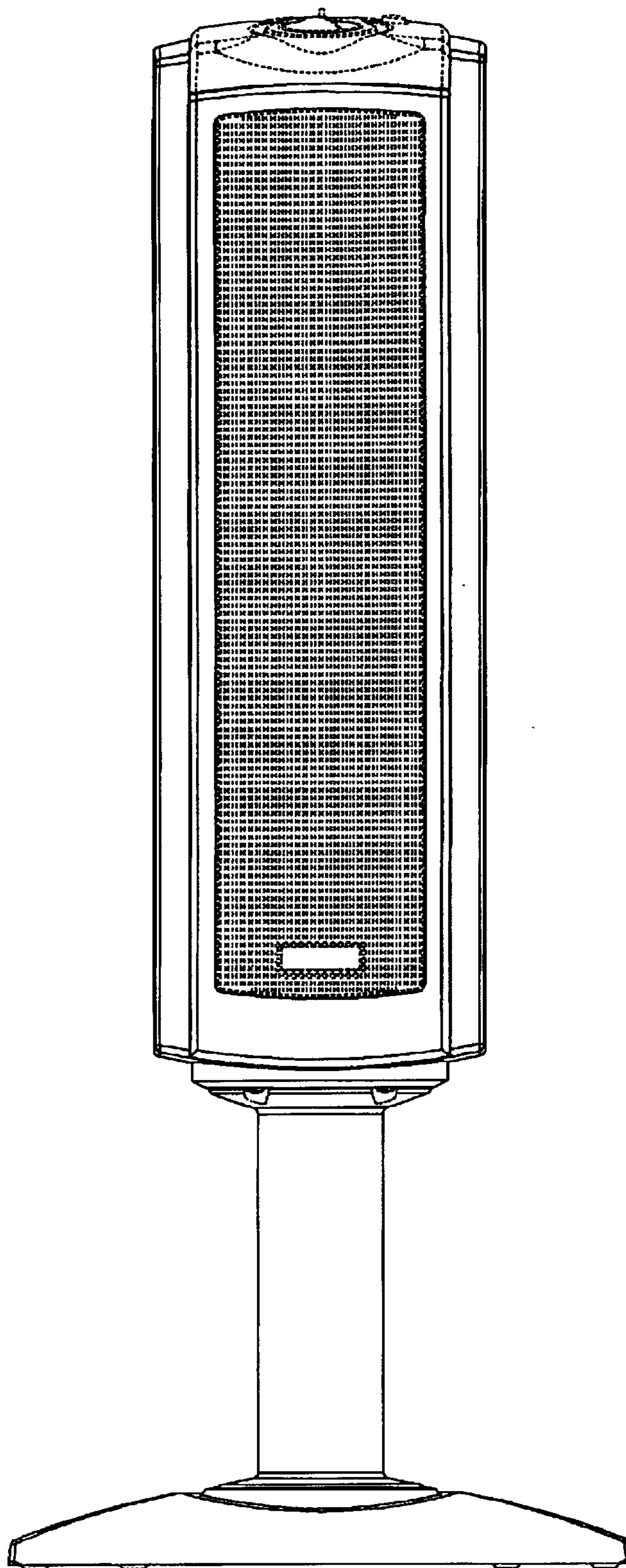


FIG. 3

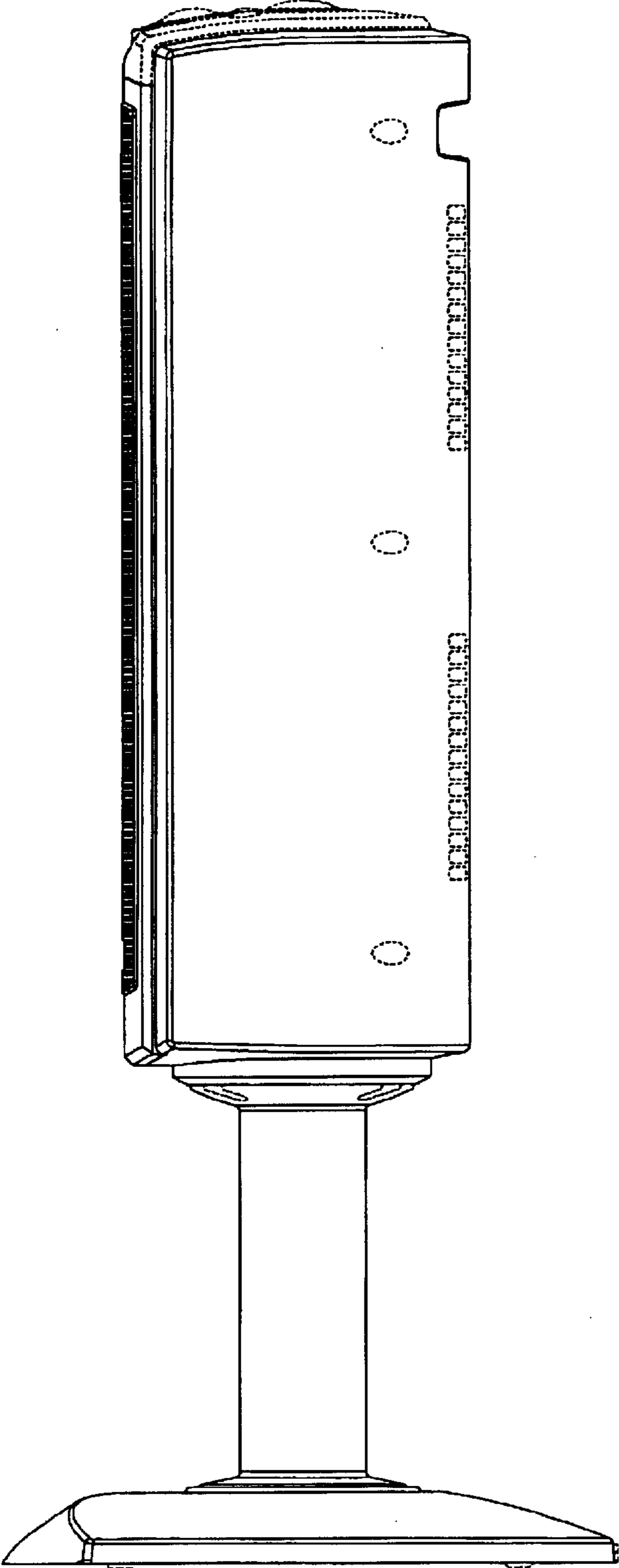


FIG. 4

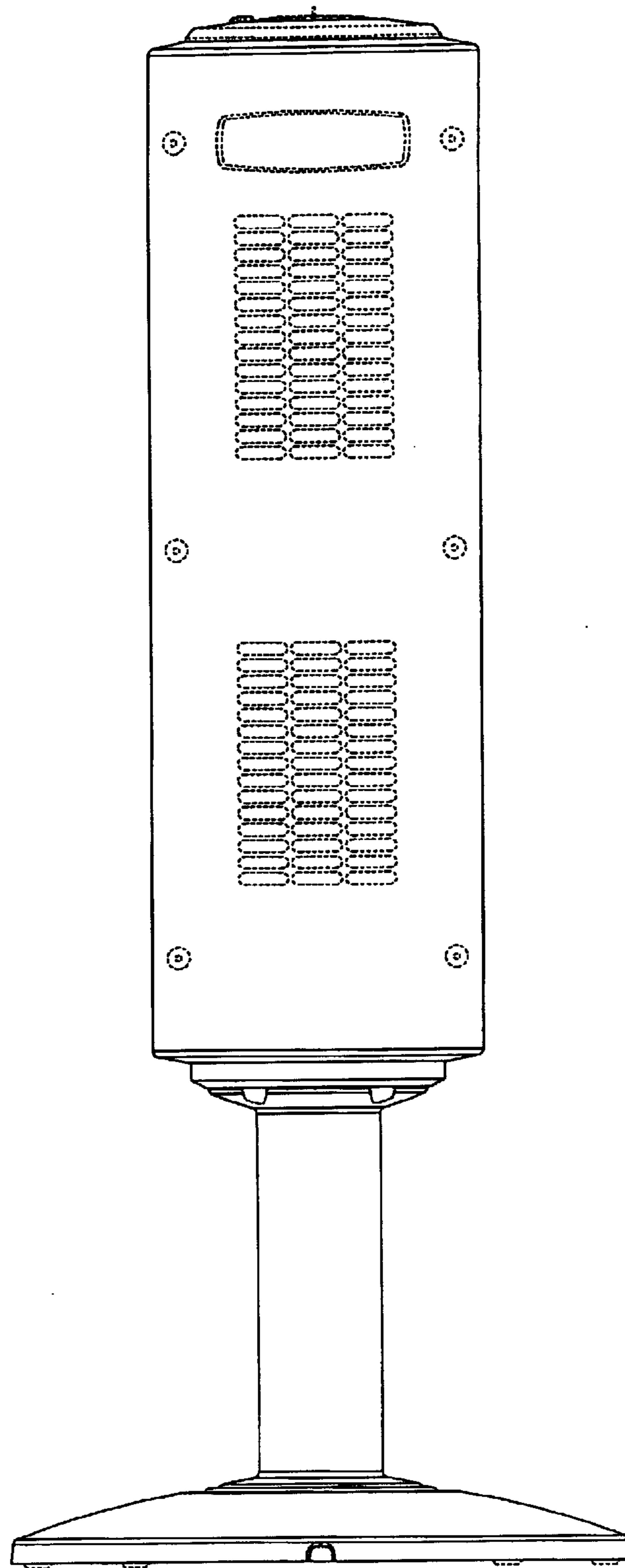


FIG. 5

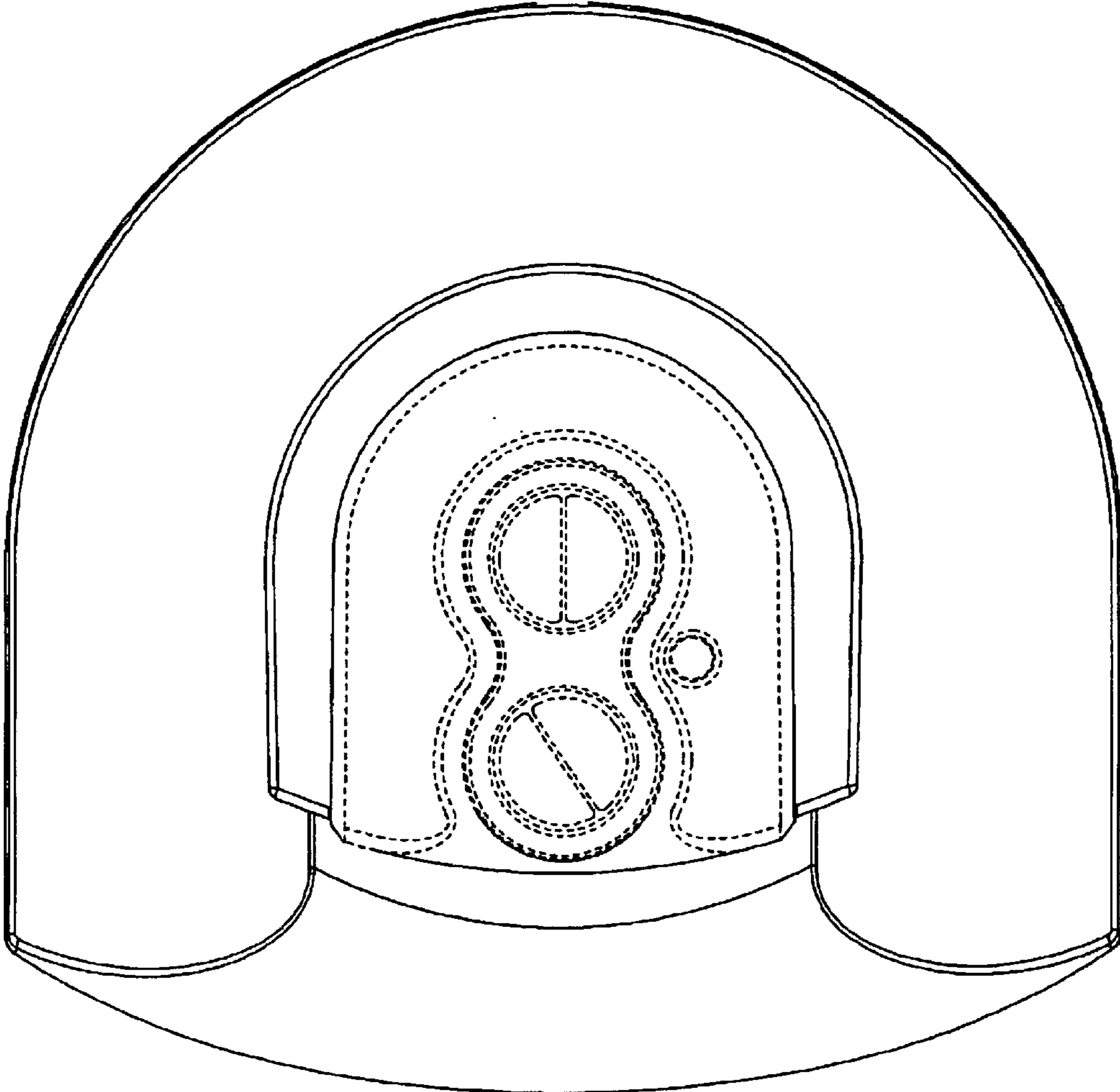


FIG. 6