



US00D516686S

(12) **United States Design Patent** (10) **Patent No.:** **US D516,686 S**
Wilk, Jr. et al. (45) **Date of Patent:** **** Mar. 7, 2006**

(54) **TEE COUPLING**

(75) Inventors: **Charles E. Wilk, Jr.**, Northampton, PA (US); **Anthony J. Cuvo**, Coopersburg, PA (US); **Jianyong Sun**, Macungie, PA (US)

(73) Assignee: **Victaulic Company**, Easton, PA (US)

(**) Term: **14 Years**

(21) Appl. No.: **29/211,753**

(22) Filed: **Aug. 20, 2004**

(51) **LOC (8) Cl.** **23-01**

(52) **U.S. Cl.** **D23/262**

(58) **Field of Classification Search** D23/262,
D23/263, 259; 285/133.11, 133.3, 133.21,
285/133.4–133.6

See application file for complete search history.

(56) **References Cited**

U.S. PATENT DOCUMENTS

922,805 A	5/1909	Nelson et al.	
1,965,273 A	7/1934	Wilson	285/139
2,147,353 A	2/1939	Scholtes	285/115
2,201,372 A	5/1940	Miller	285/115

(Continued)

FOREIGN PATENT DOCUMENTS

DE	36 31 547	4/1988
DE	297 21 759	5/1998
DE	297 21 760	5/1998
EP	0 922 896	12/1997
JP	9-329284	12/1997

OTHER PUBLICATIONS

IMI Yorkshire Fittings Group Web Page, including Tectite Products and Installation (4 pages; downloaded Mar. 15, 2000).

Cuprofit® Push-Fit for the Professionals, copyright 2001 (1 page; downloaded Nov. 21, 2001).

IBP Group Web Site, including cuprofit®, >B<press and DELCOP® Products, all copyrighted 1998 IBP (12 pages total; downloaded Mar. 15, 2000).

U.S. Appl. No. 10/869,758, filed Jun. 16, 2004, entitled *Mechanical Pipe Coupling Derived from a Standard Fitting* (Wilk Jr. et al); projected publication date Nov. 11, 2004.

German catalog entitled “isiflow UNIVERSAL” (3 pages), by Raufoss Metall GmbH, dated Feb. 1990.

Primary Examiner—Robin V. Webster

(74) *Attorney, Agent, or Firm*—Synnestvedt & Lechner LLP

(57) **CLAIM**

The ornamental design for a tee coupling, as shown and described.

DESCRIPTION

FIG. 1 is a perspective view of a first embodiment of our design for a tee coupling;

FIG. 2 is a left side view of the tee coupling shown in FIG. 1, the right side being shown in perspective in FIG. 1;

FIG. 3 is an end view of the tee coupling shown in FIG. 1, the opposite end view being identical;

FIG. 4 is a bottom view of the tee coupling shown in FIG. 1;

FIG. 5 is a top view of the tee coupling shown in FIG. 1;

FIG. 6 is a perspective view of a second embodiment of our design for a tee coupling;

FIG. 7 is a left side view of the tee coupling shown in FIG. 6, the right side being shown in perspective in FIG. 6;

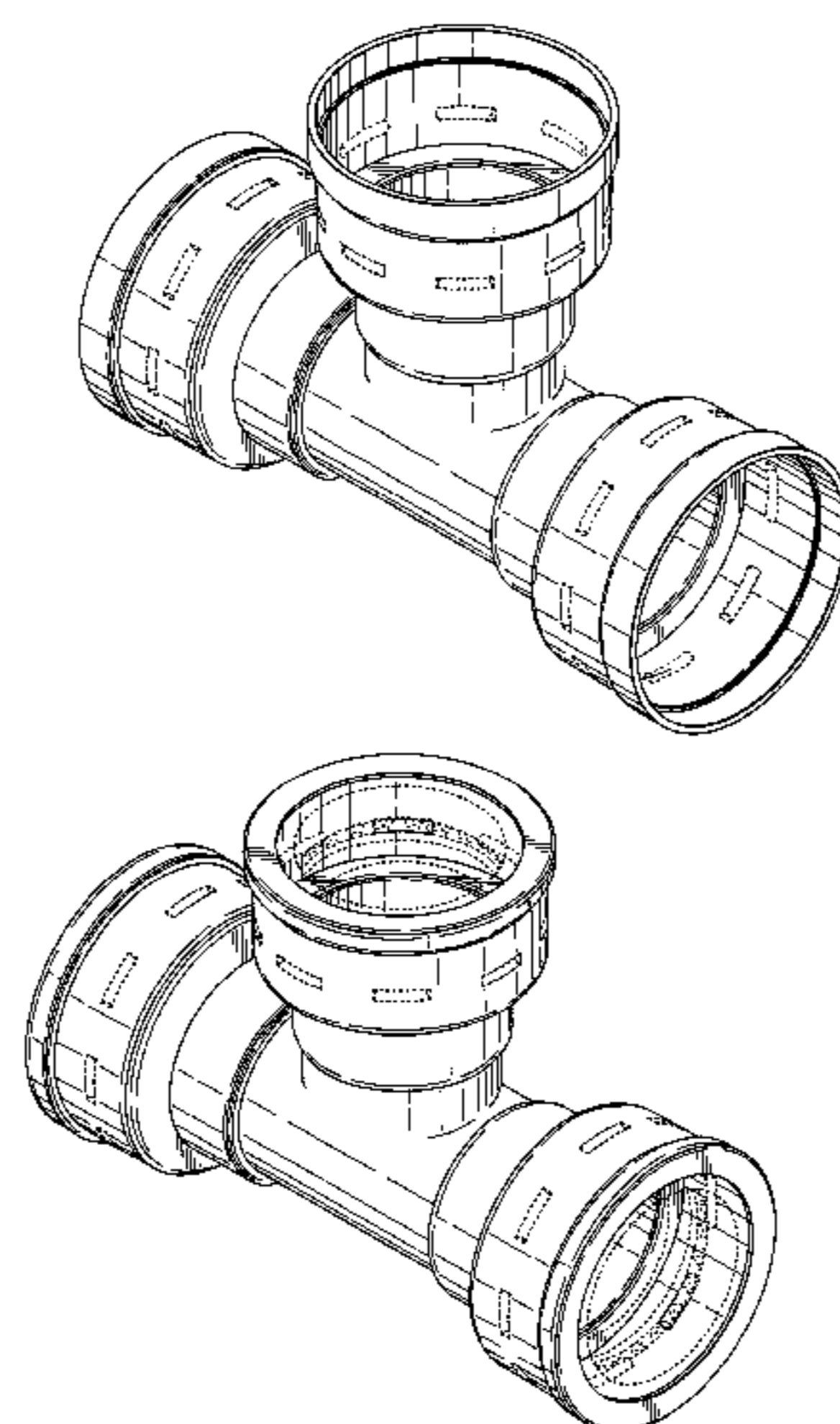
FIG. 8 is an end view of the tee coupling shown in FIG. 6, the opposite end view being identical;

FIG. 9 is a bottom view of the tee coupling shown in FIG. 6; and,

FIG. 10 is a top view of the tee coupling shown in FIG. 6.

The broken lines shown in the various Figures are for illustrative purposes only and form no part of the claimed design.

1 Claim, 4 Drawing Sheets



US D516,686 S

Page 2

U.S. PATENT DOCUMENTS

2,247,032 A	6/1941	Norton	285/321	5,160,175 A	11/1992	Yang	285/104
2,479,960 A	8/1949	Osborn	285/104	5,160,179 A	11/1992	Takagi	285/340
2,508,914 A	5/1950	Graham	285/105	5,284,582 A	2/1994	Yang	210/232
2,759,254 A	8/1956	Soehnlen et al.	29/428	5,295,697 A	3/1994	Weber et al.	277/181
2,779,610 A	1/1957	Risley	285/369	5,351,999 A	10/1994	Hattori	285/404
3,007,726 A	11/1961	Parkin	287/53	5,603,530 A	2/1997	Guest	285/105
3,058,762 A	10/1962	Howe	285/340	5,695,224 A	12/1997	Grenier	285/104
3,268,244 A	8/1966	Kotelly et al.	285/235	D389,562 S	* 1/1998	Picton	D23/263
3,312,483 A	4/1967	Leadbetter et al.	285/340	5,792,990 A	8/1998	Piero	174/86
3,312,484 A	4/1967	Davenport	285/340	5,816,627 A	10/1998	Readman	285/340
3,483,789 A	12/1969	Wurzel	85/8.8	5,857,718 A	1/1999	Kleinschmidt	285/305
3,582,112 A	6/1971	Pico	285/96	5,988,705 A	11/1999	Norkey	285/319
D234,847 S	4/1975	Hoffman	D23/262	6,058,755 A	5/2000	Viegner	72/292
3,924,877 A	12/1975	Leopold et al.	285/340	D427,668 S	7/2000	Stout, Jr.	D23/262
3,976,314 A	8/1976	Graham	285/238	6,106,031 A	8/2000	Guginsky	285/369
3,995,897 A	12/1976	Paskert	285/340	D430,482 S	9/2000	Stout, Jr.	D8/382
4,047,743 A	9/1977	Weintraub et al.	285/340	6,186,561 B1	2/2001	Kaishio et al.	285/319
4,072,328 A	2/1978	Elliott	285/169	6,450,550 B1	9/2002	Cornwell	285/340
4,073,514 A	2/1978	Pate	285/127	6,464,266 B1	10/2002	O'Neill et al.	285/240
4,146,252 A	3/1979	Buda	285/308	6,499,771 B1	12/2002	Snyder, Sr. et al.	285/319
4,146,254 A	3/1979	Turner et al.	285/105	6,517,124 B1	2/2003	LeQuere	285/340
4,586,734 A	5/1986	Grenier	285/340	D480,786 S	10/2003	Wilk, Jr. et al.	D23/263
4,593,943 A	6/1986	Hama et al.	285/308	D480,787 S	10/2003	Wilk, Jr. et al.	D23/263
4,610,468 A	9/1986	Wood	285/81	D481,109 S	10/2003	Dole et al.	D23/263
4,613,172 A	9/1986	Schattmaier	285/340	D481,110 S	10/2003	Snyder, Sr. et al.	D23/263
4,635,975 A	1/1987	Campbell	285/340	D481,447 S	10/2003	Dole et al.	D23/263
4,676,533 A	6/1987	Gerondale	285/158	D482,103 S	11/2003	Snyder, Sr. et al.	D23/263
D291,482 S	8/1987	Vassallo et al.	D23/262	D483,094 S	12/2003	Wilk, Jr. et al.	D23/262
4,744,412 A	5/1988	Kim et al.	165/70	D483,095 S	12/2003	Snyder, Sr. et al.	D23/262
4,747,626 A	5/1988	Hama et al.	285/308	D483,441 S	12/2003	Dole et al.	D23/262
4,749,214 A	6/1988	Hoskins et al.	285/379	D493,214 S	7/2004	Snyder, Sr. et al.	D23/262
4,842,306 A	6/1989	Zeidler et al.	285/104	2002/0135184 A1	9/2002	Snyder, Sr. et al.	
4,911,406 A	3/1990	Attwood	251/148	2002/0185868 A1	12/2002	Snyder, Sr. et al.	
4,919,457 A	4/1990	Moretti	285/39	2003/0067170 A1	4/2003	Snyder, Sr. et al.	
5,029,908 A	7/1991	Belisaire	285/323	2003/0071460 A1	4/2003	Snyder, Sr. et al.	
5,039,141 A	8/1991	Badoureaux	285/340				

* cited by examiner

FIG. 1

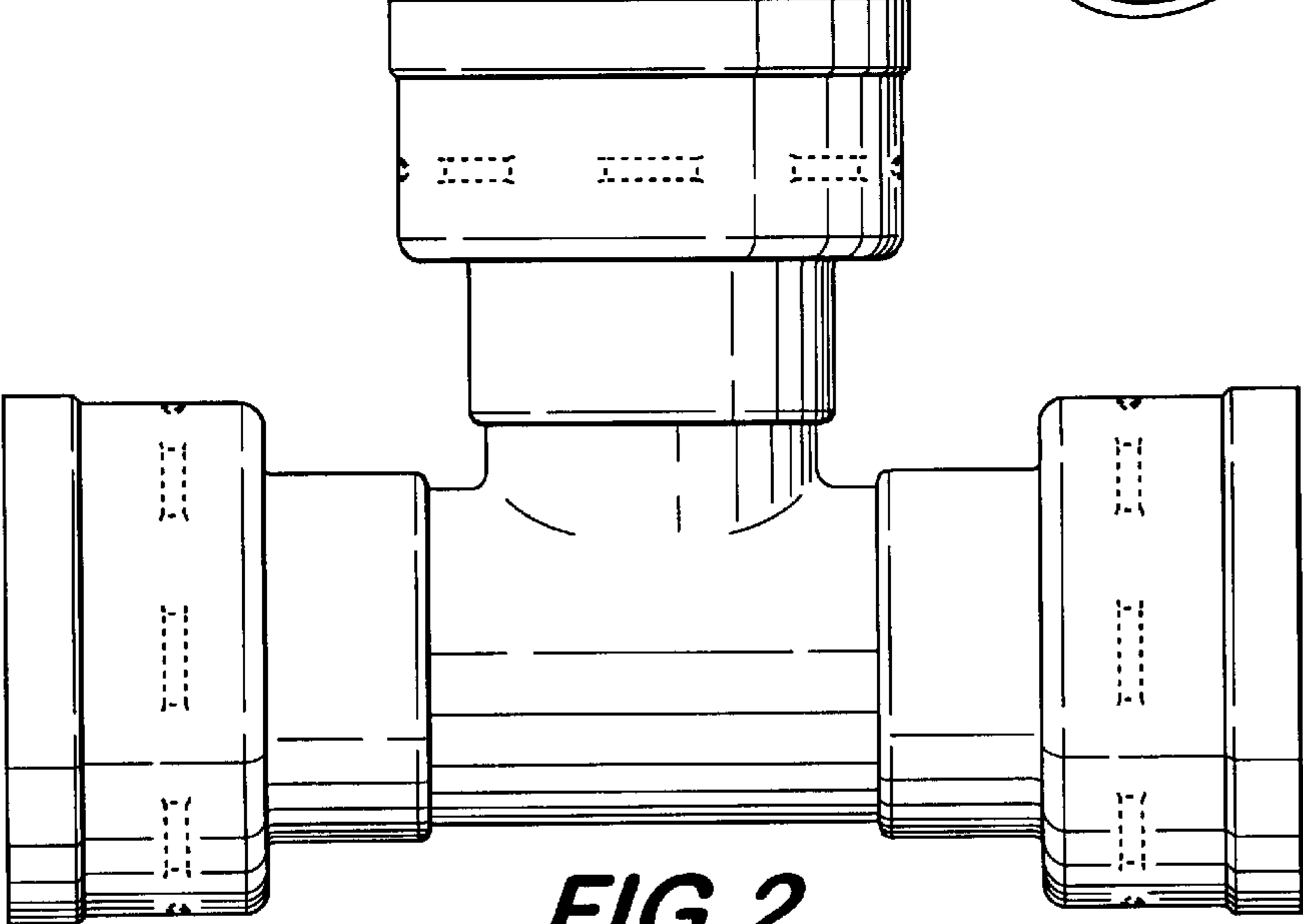
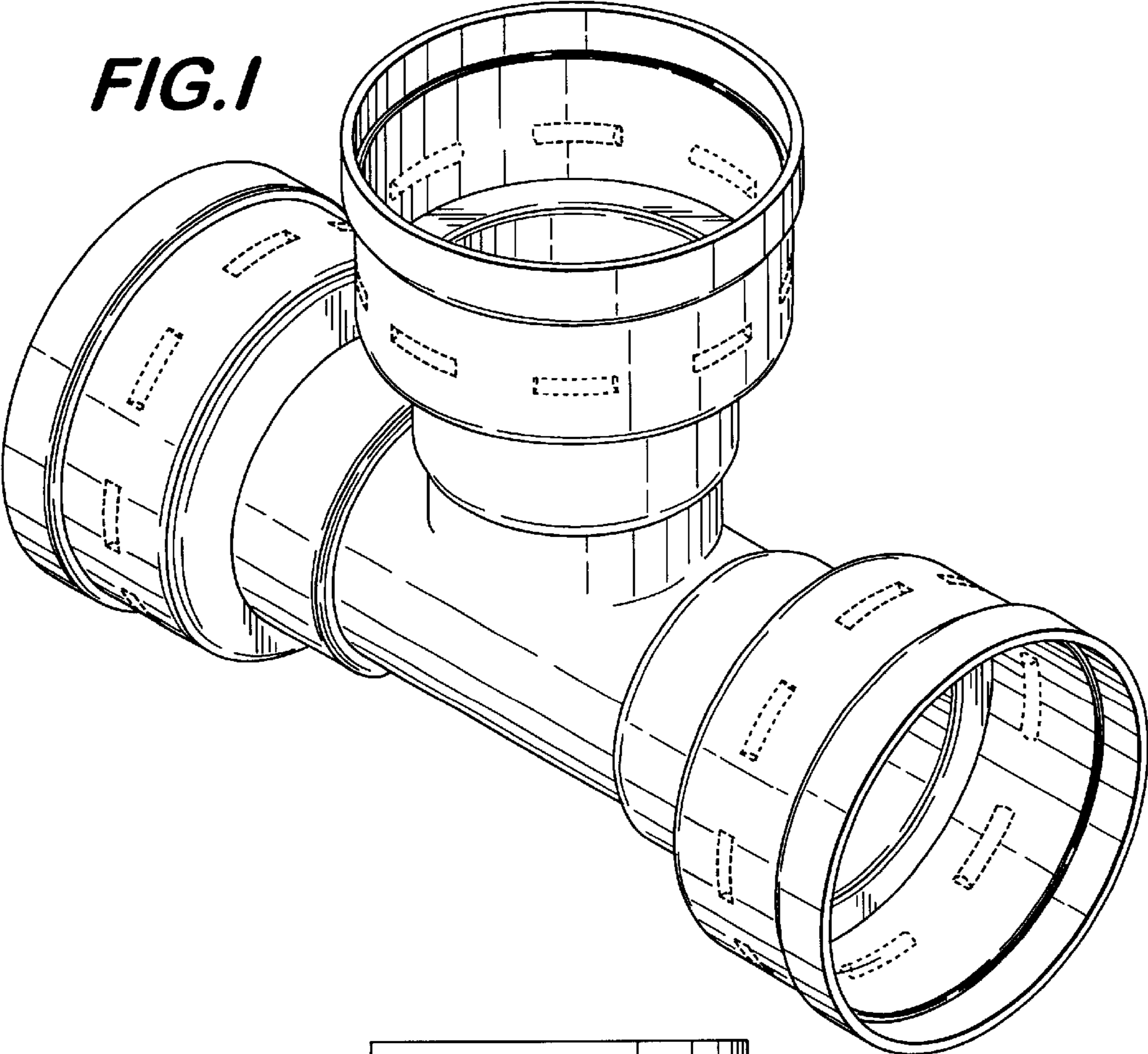


FIG. 2

FIG. 3

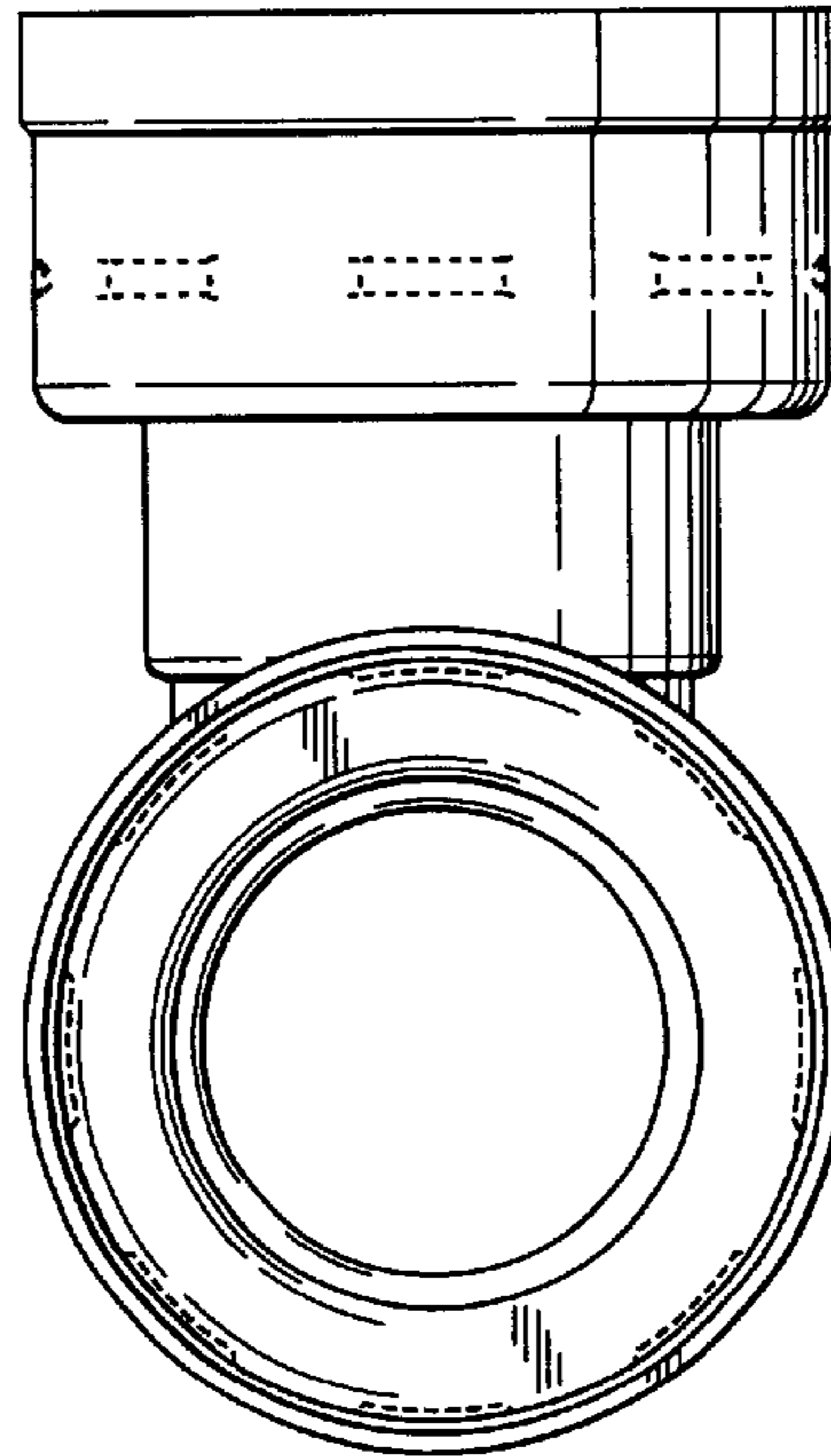


FIG. 4

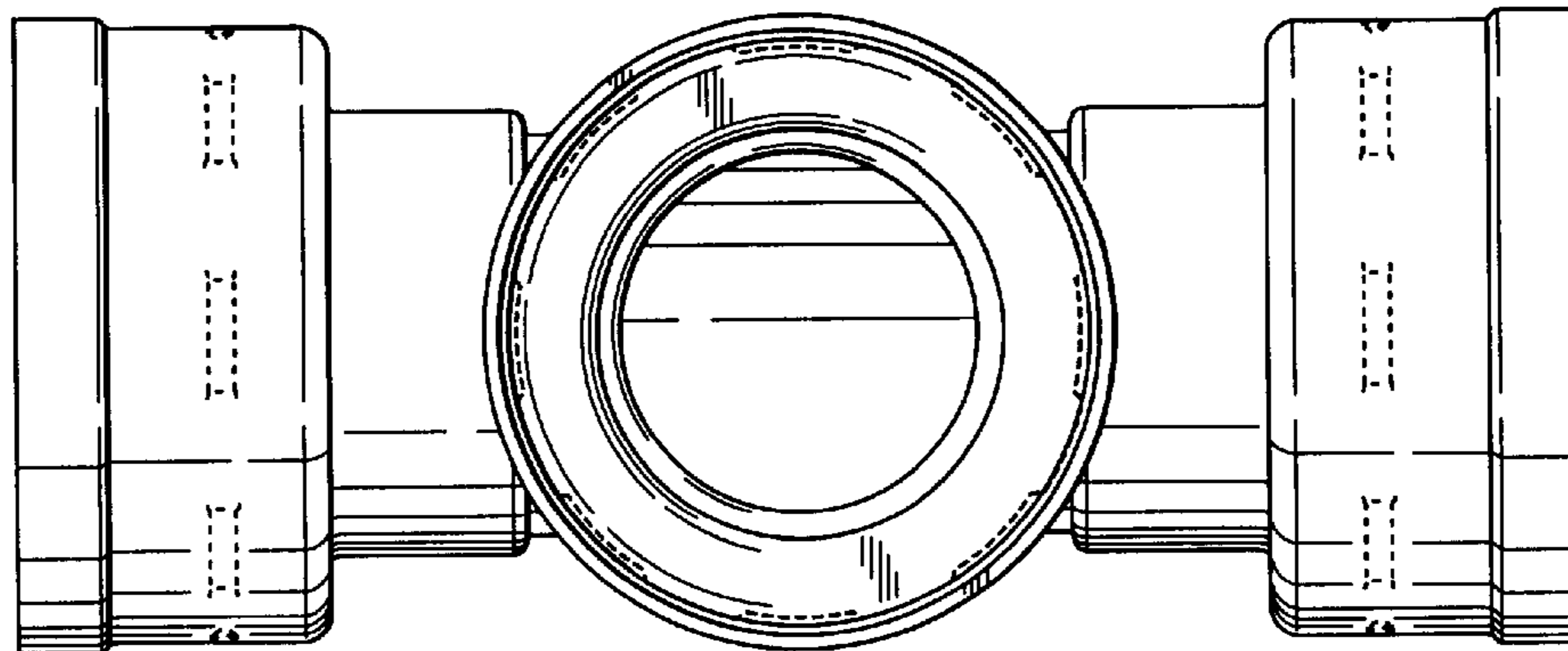
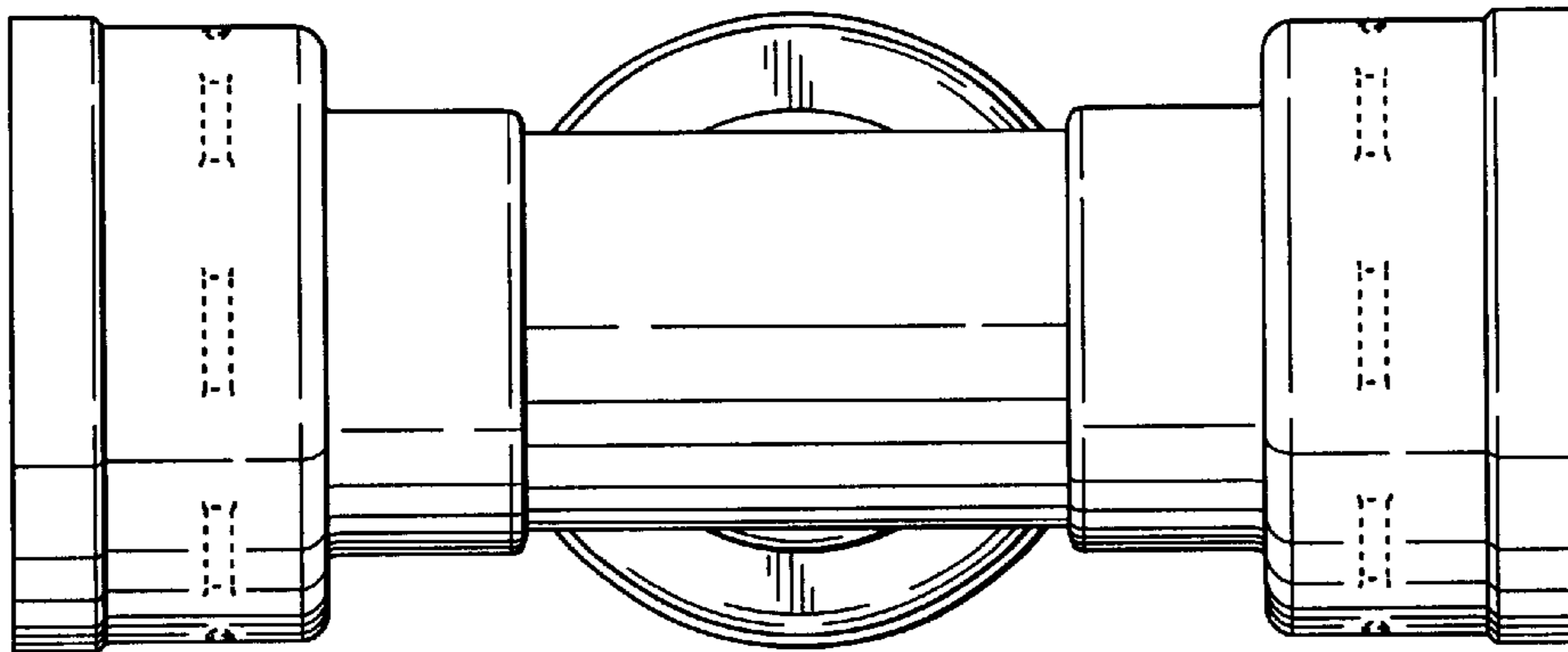


FIG. 5

FIG. 6

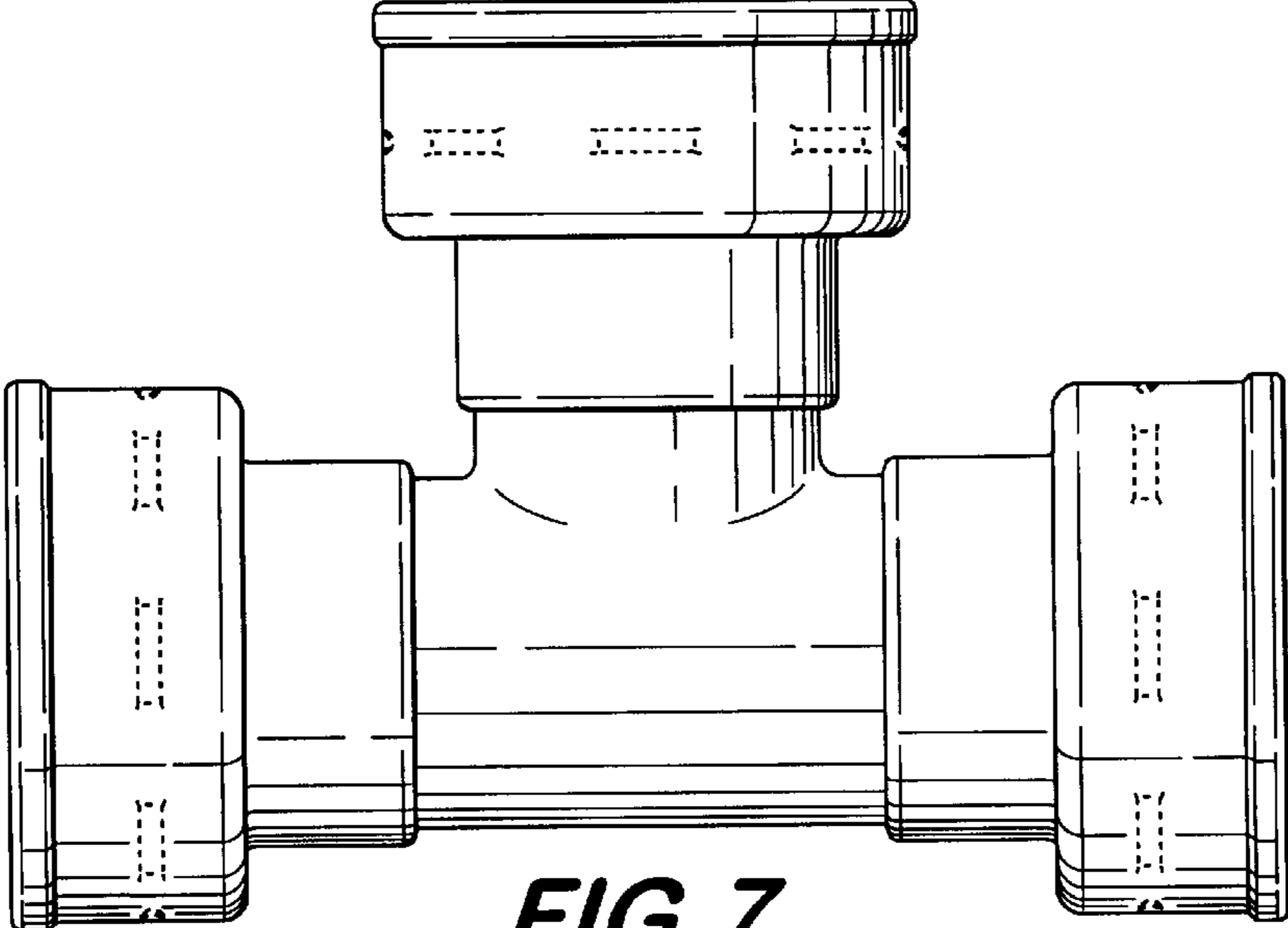
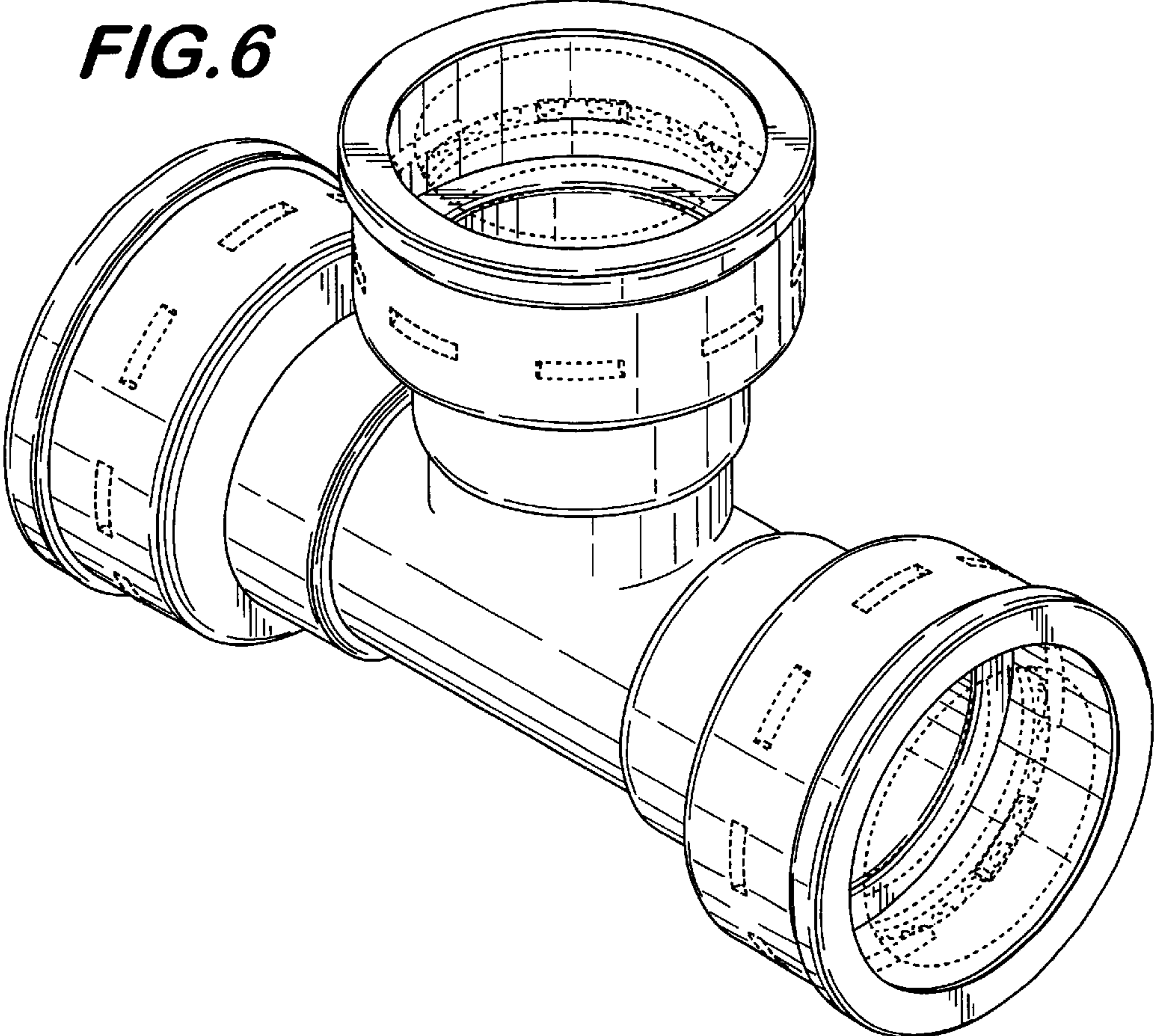


FIG. 7

FIG. 8

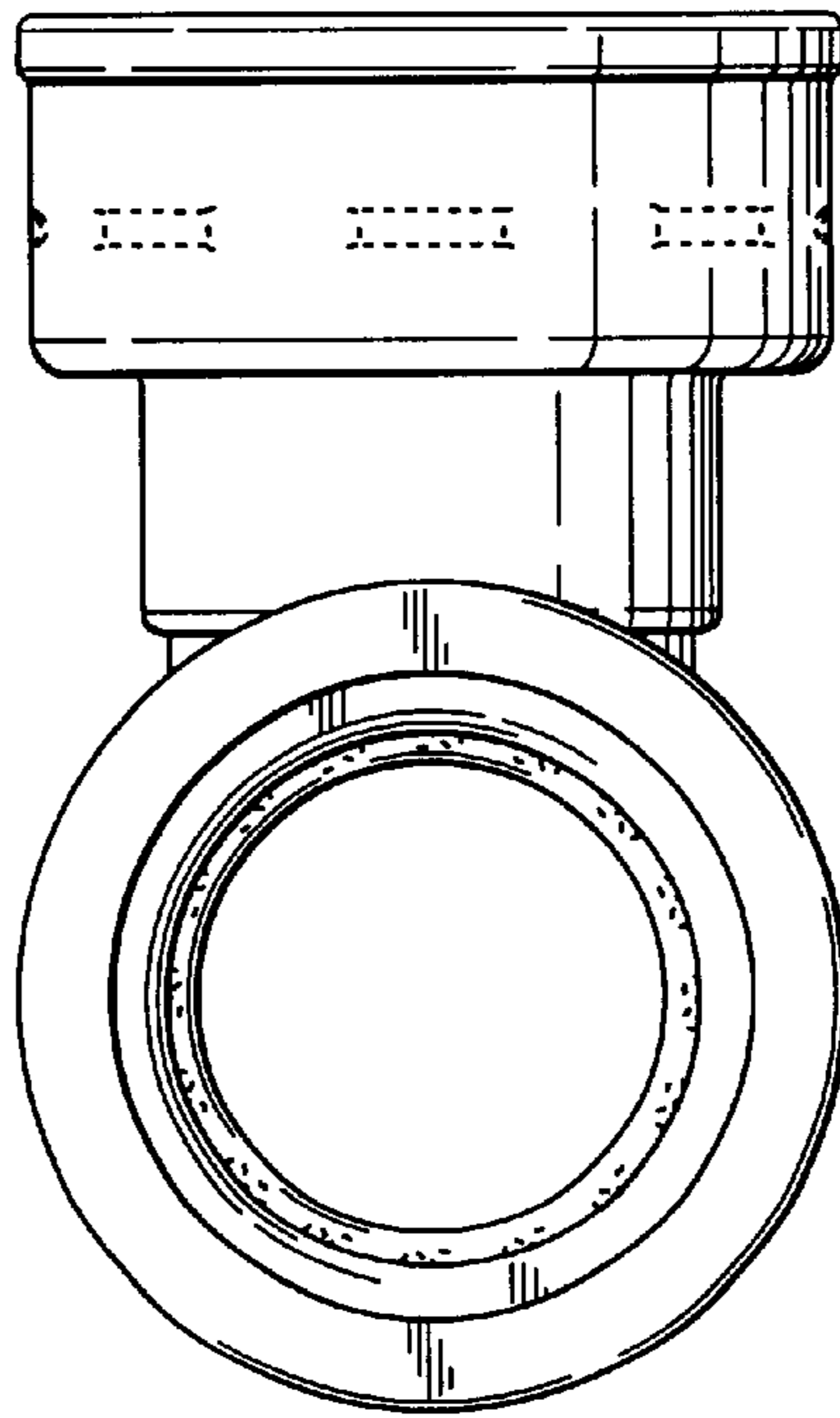


FIG. 9

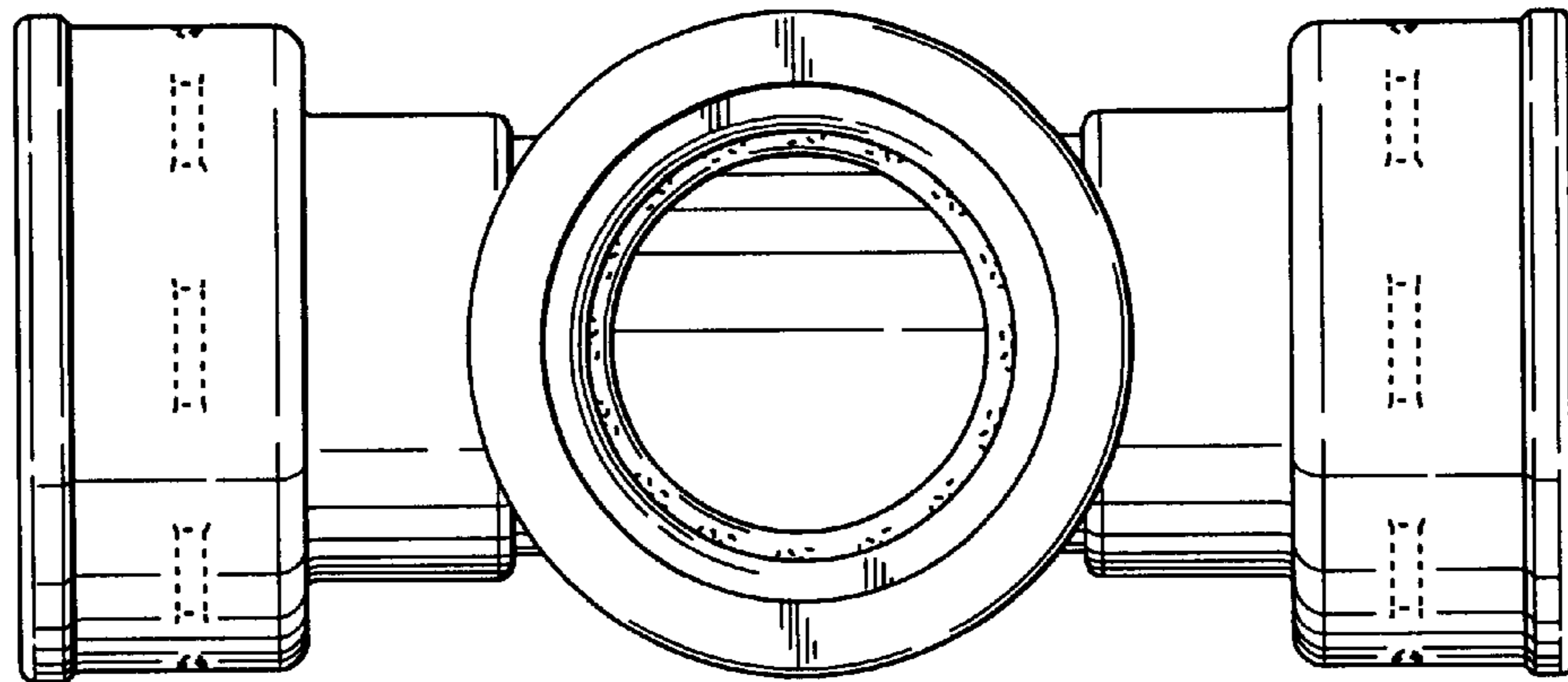
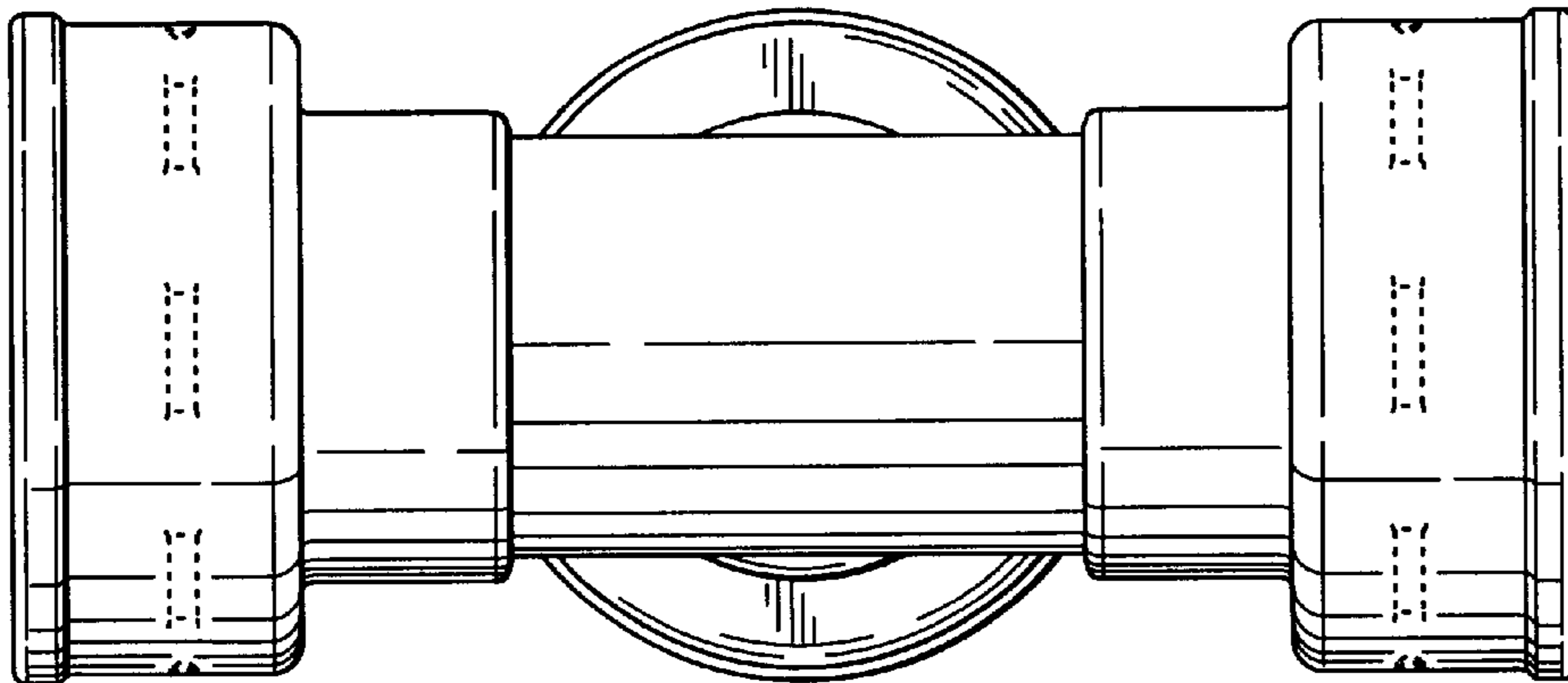


FIG. 10