



US00D516682S

(12) **United States Design Patent**  
**Kennard**

(10) **Patent No.:** **US D516,682 S**  
(45) **Date of Patent:** **\*\* Mar. 7, 2006**

(54) **FAUCET BASE**

D491,635 S \* 6/2004 Lin ..... D23/249  
D493,212 S \* 7/2004 Lin ..... D23/249

(75) **Inventor:** **Dan Kennard**, Norcross, GA (US)

\* cited by examiner

(73) **Assignee:** **Fusion Hardware Group, Inc.**,  
Norcross, GA (US)

*Primary Examiner*—Louis S. Zarfes

*Assistant Examiner*—Gregory Andoll

(\*\*) **Term:** **14 Years**

(74) *Attorney, Agent, or Firm*—Troxell Law Office, PLLC

(21) **Appl. No.:** **29/206,830**

(57) **CLAIM**

(22) **Filed:** **Jun. 4, 2004**

The ornamental design for faucet base, as shown and described.

(51) **LOC (8) Cl.** ..... **23-01**

**DESCRIPTION**

(52) **U.S. Cl.** ..... **D23/249**

(58) **Field of Classification Search** ..... D23/238–257;  
4/675–678; 137/801

FIG. 1 is a perspective view of faucet base showing my new design;

FIG. 2 is a front elevational view thereof;

FIG. 3 is a rear elevational view thereof;

FIG. 4 is a left elevational view thereof;

FIG. 5 is a right elevational view thereof; and,

FIG. 6 is a top plan view thereof.

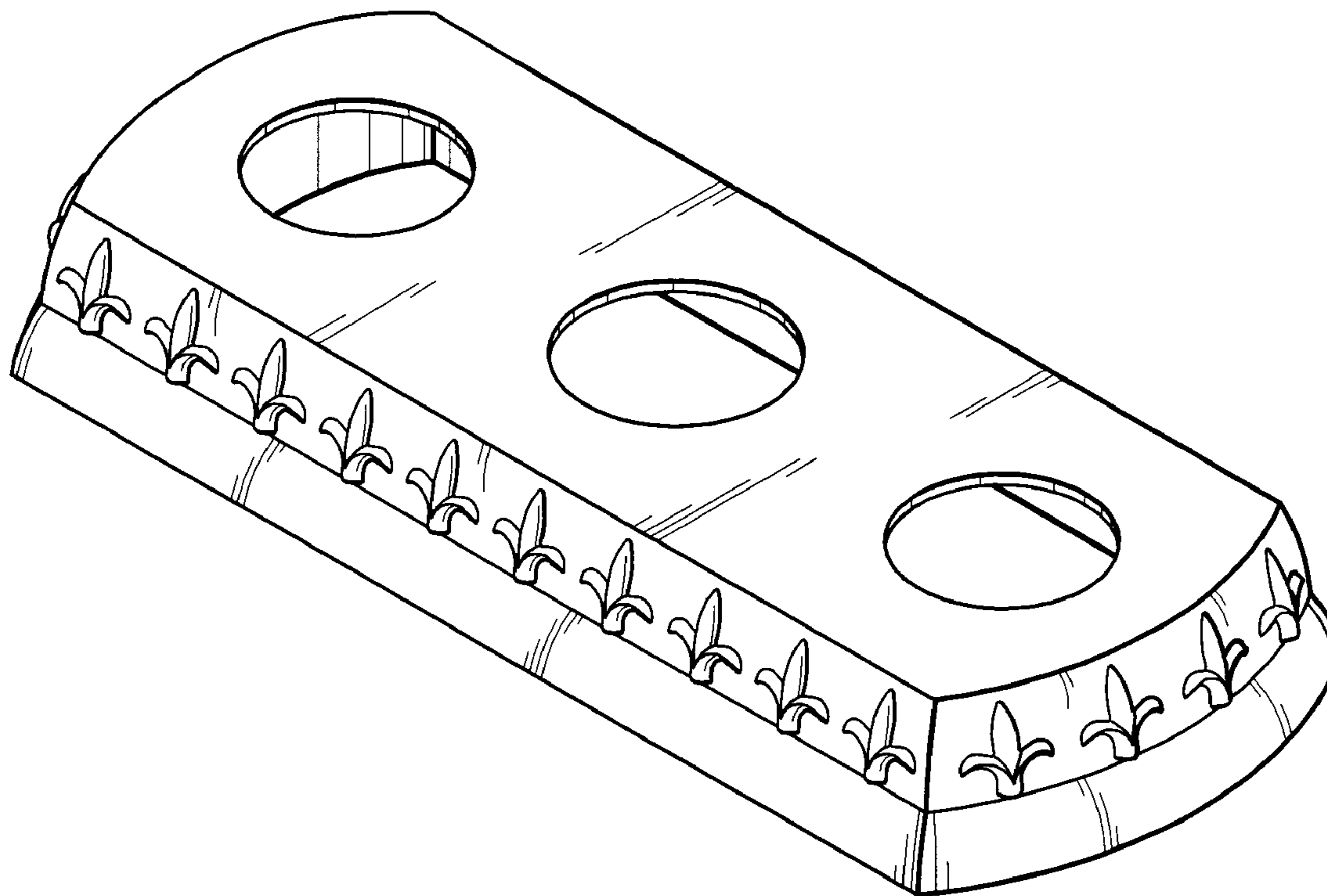
See application file for complete search history.

(56) **References Cited**

**U.S. PATENT DOCUMENTS**

D485,331 S \* 1/2004 Lin ..... D23/241

**1 Claim, 4 Drawing Sheets**



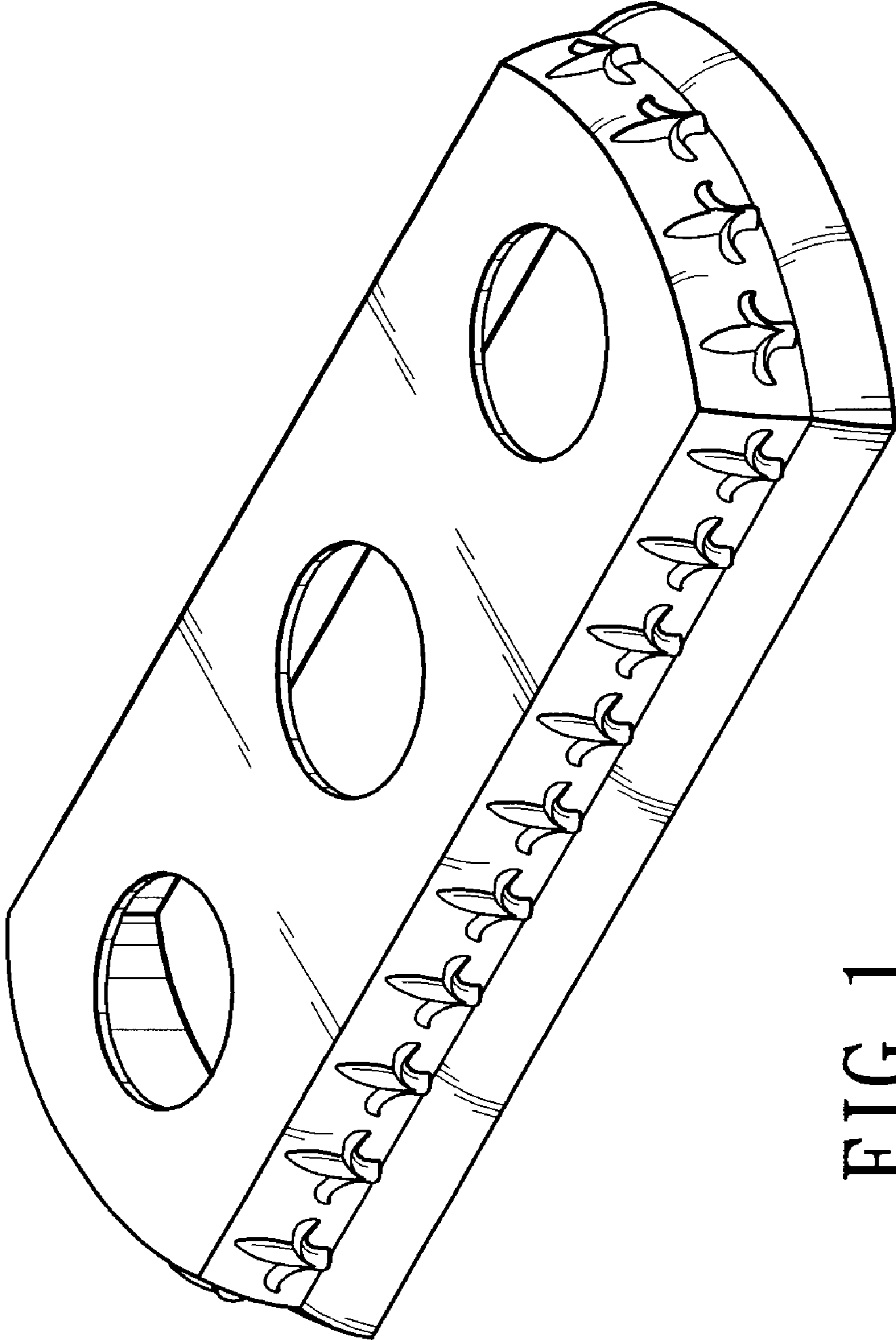


FIG. 1

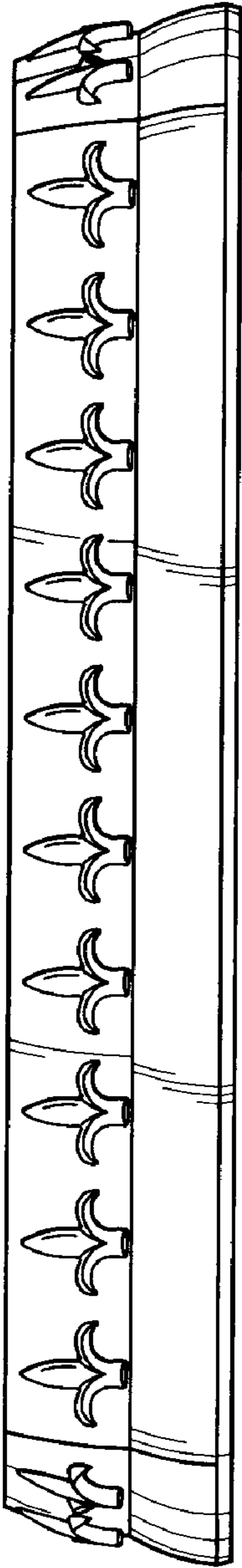


FIG. 2

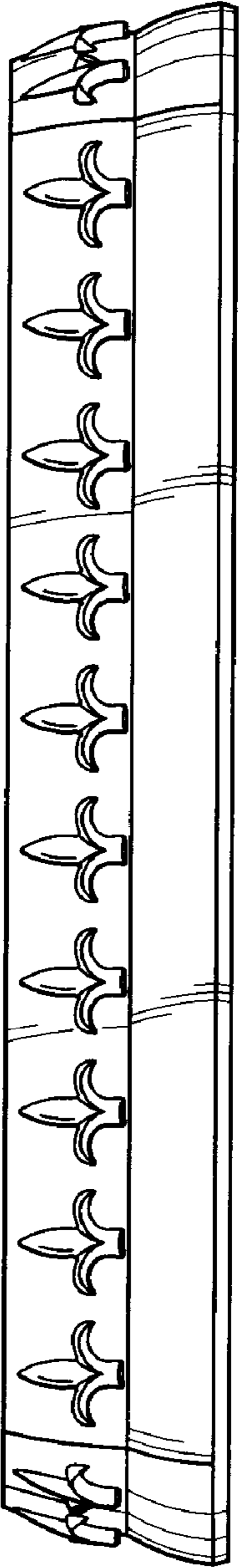


FIG. 3

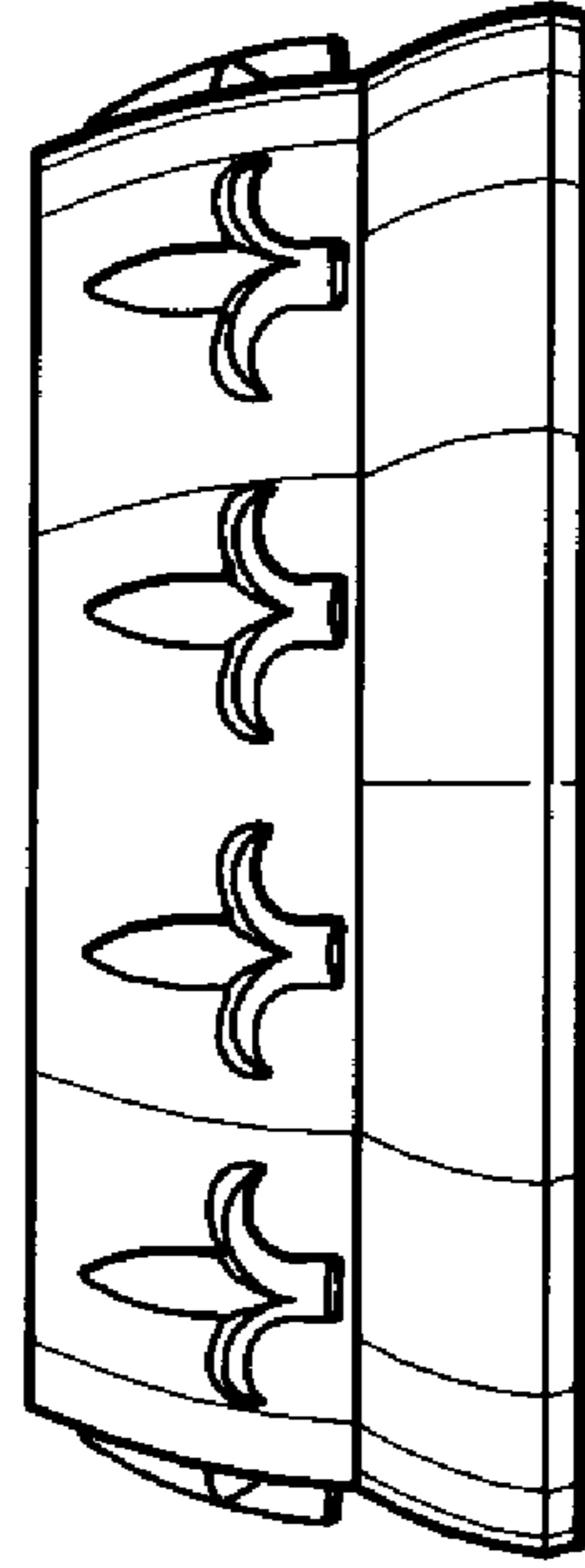


FIG. 5

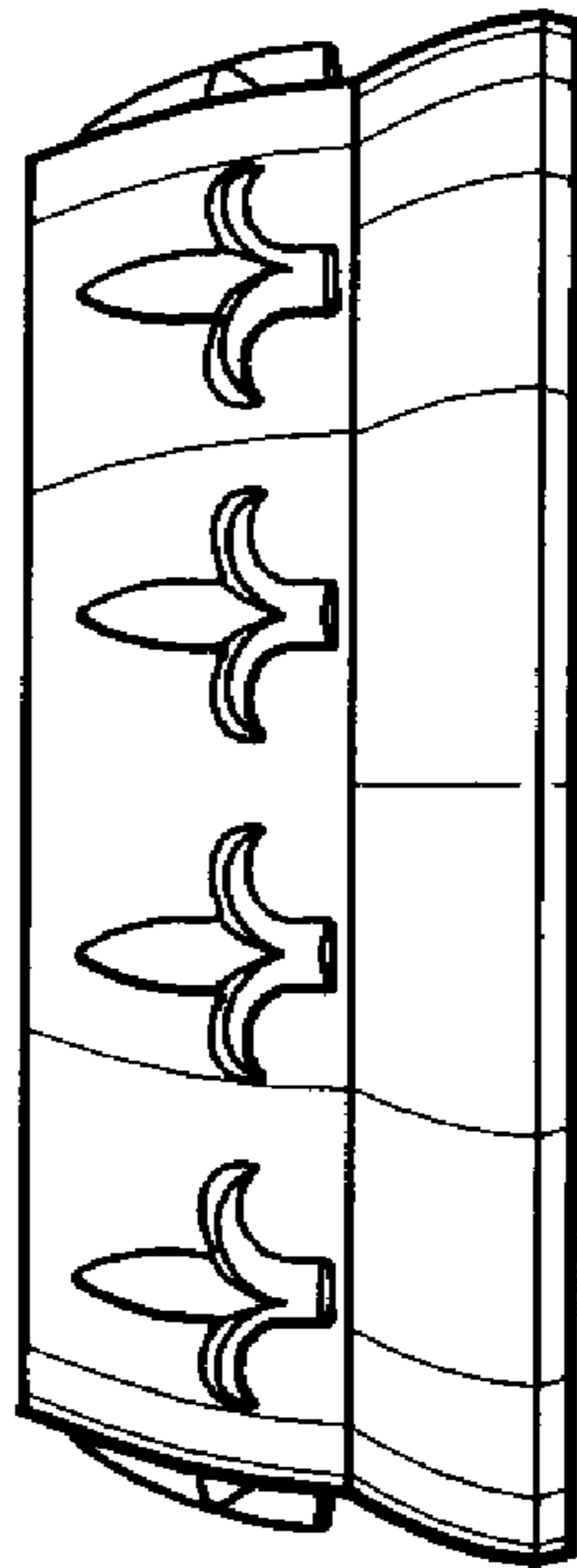


FIG. 4

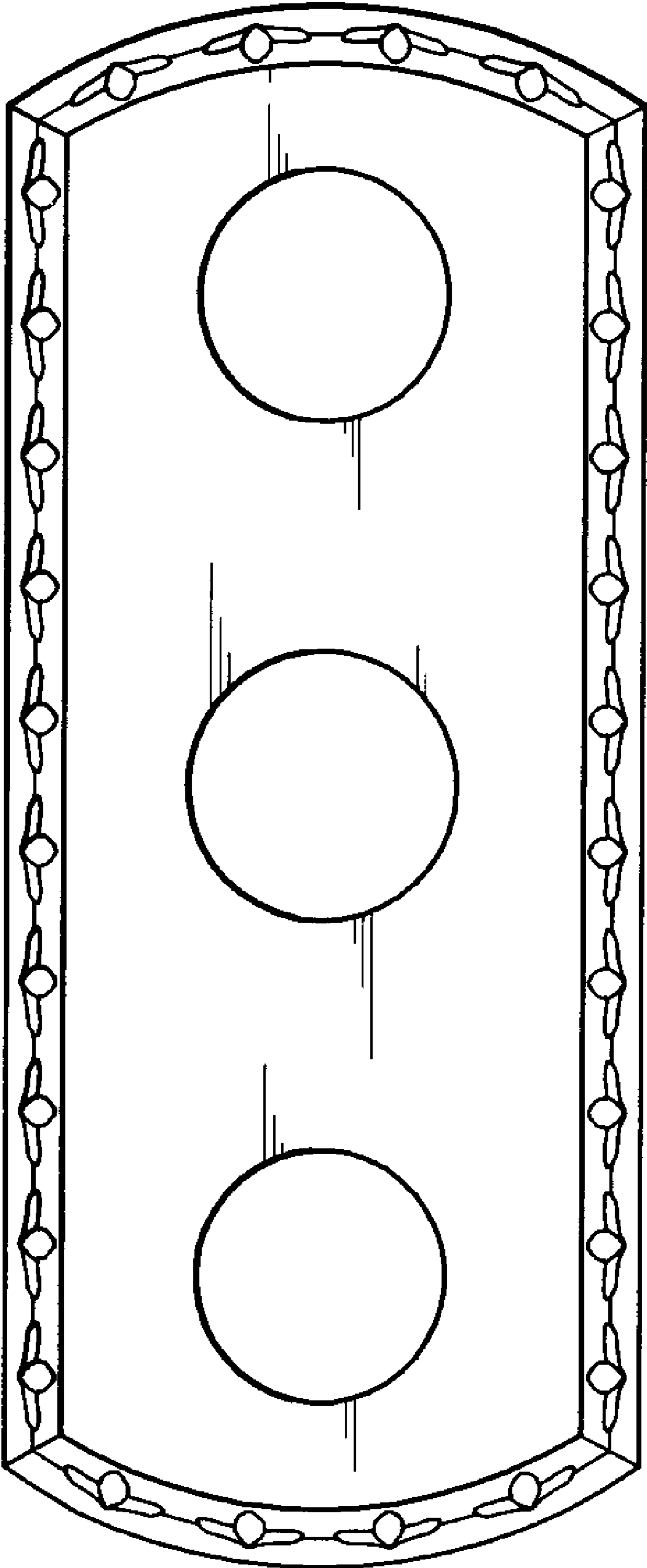


FIG. 6