



US00D516681S

(12) **United States Design Patent** (10) **Patent No.:** **US D516,681 S**
Gilbert (45) **Date of Patent:** **** Mar. 7, 2006**

(54) **SPOUT ASSEMBLY**

(75) Inventor: **Christopher Jon Gilbert**, Moreland Hills, OH (US)

(73) Assignee: **Moen Incorporated**, North Olmsted, OH (US)

(**) Term: **14 Years**

(21) Appl. No.: **29/202,399**

(22) Filed: **Mar. 30, 2004**

(51) **LOC (8) Cl.** **23-01**

(52) **U.S. Cl.** **D23/249**; D23/241; D23/242

(58) **Field of Classification Search** D23/238–257; 4/675–678; 137/801

See application file for complete search history.

D415,259 S 10/1999 Slothower
D433,484 S 11/2000 Spangler
D444,542 S 7/2001 Burns et al.
D458,666 S 6/2002 Mark et al.
D463,533 S 9/2002 Ko
6,467,104 B1 10/2002 Shieh
D466,981 S * 12/2002 Cosolito et al. D23/242
D472,608 S * 4/2003 Shieh D23/241
D476,063 S 6/2003 Haug et al.
D497,410 S * 10/2004 Warshawsky D23/241

OTHER PUBLICATIONS

GIAGNI H1 Bridge Kitchen Faucet Dimension. <http://www.faucet.com/prodimages//giagni/H1.jpg>. Viewed Apr. 8, 2005, printed Apr. 4, 2005.*

* cited by examiner

Primary Examiner—Louis S. Zarfes
Assistant Examiner—Gregory Andoll
(74) *Attorney, Agent, or Firm*—Calfee, Halter & Griswold LLP

(56) **References Cited**
U.S. PATENT DOCUMENTS

D25,950 S 8/1896 Totham
D809,720 1/1906 Mueller
D50,151 S 1/1917 Mortimer
D62,740 S 7/1923 Muend
D62,864 S 8/1923 Benjamin
D67,520 S 6/1925 Harper
D72,505 S 4/1927 Van Eweyk
D78,619 S 5/1929 Frankenberger
1,848,456 A 3/1932 Beebe
D94,760 S 3/1935 Hitchcock
2,314,071 A 3/1943 Bucknell et al.
D140,557 S 3/1945 Stanitz
D149,386 S 4/1948 Smolensky
D163,545 S 6/1951 Smolensky
D235,099 S 5/1975 Doman
D263,991 S 4/1982 Fleischmann et al.
D318,099 S 7/1991 Reid et al.
D340,968 S 11/1993 McKeone et al.
D350,596 S 9/1994 Paul
D352,991 S 11/1994 Kohler, Jr.
D377,516 S 1/1997 Doughty et al.
D378,230 S 2/1997 Doughty et al.
D382,042 S 8/1997 Bollenbacher
D408,897 S 4/1999 Warshawsky
D409,286 S 5/1999 Warshawsky
D411,611 S 6/1999 Warshawsky

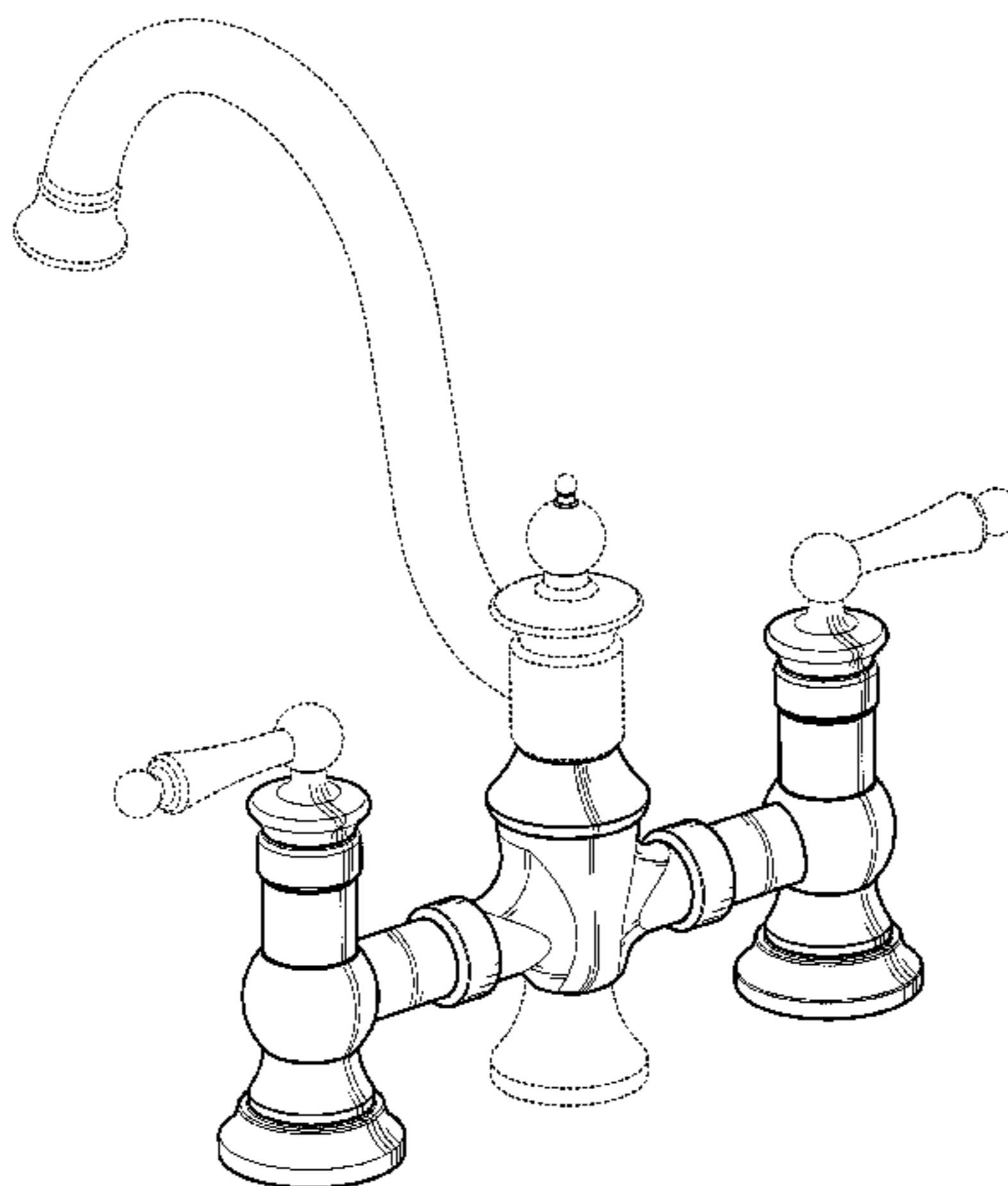
(57) **CLAIM**

The ornamental design for a spout assembly, as shown and described.

DESCRIPTION

FIG. 1 is a perspective view of a spout assembly of the new design;
FIG. 2 is a front elevational view of the spout assembly of FIG. 1;
FIG. 3 is a rear elevational view of the spout assembly of FIG. 1;
FIG. 4 is a left side elevational view of the spout assembly of FIG. 1;
FIG. 5 is a right side elevational view of the spout assembly of FIG. 1;
FIG. 6 is a top plan view of the spout assembly of FIG. 1; and,
FIG. 7 is a bottom plan view of the spout assembly of FIG. 1.
The portions of the Figures shown in phantom lines are not part of the claimed design and are for illustration only.

1 Claim, 7 Drawing Sheets



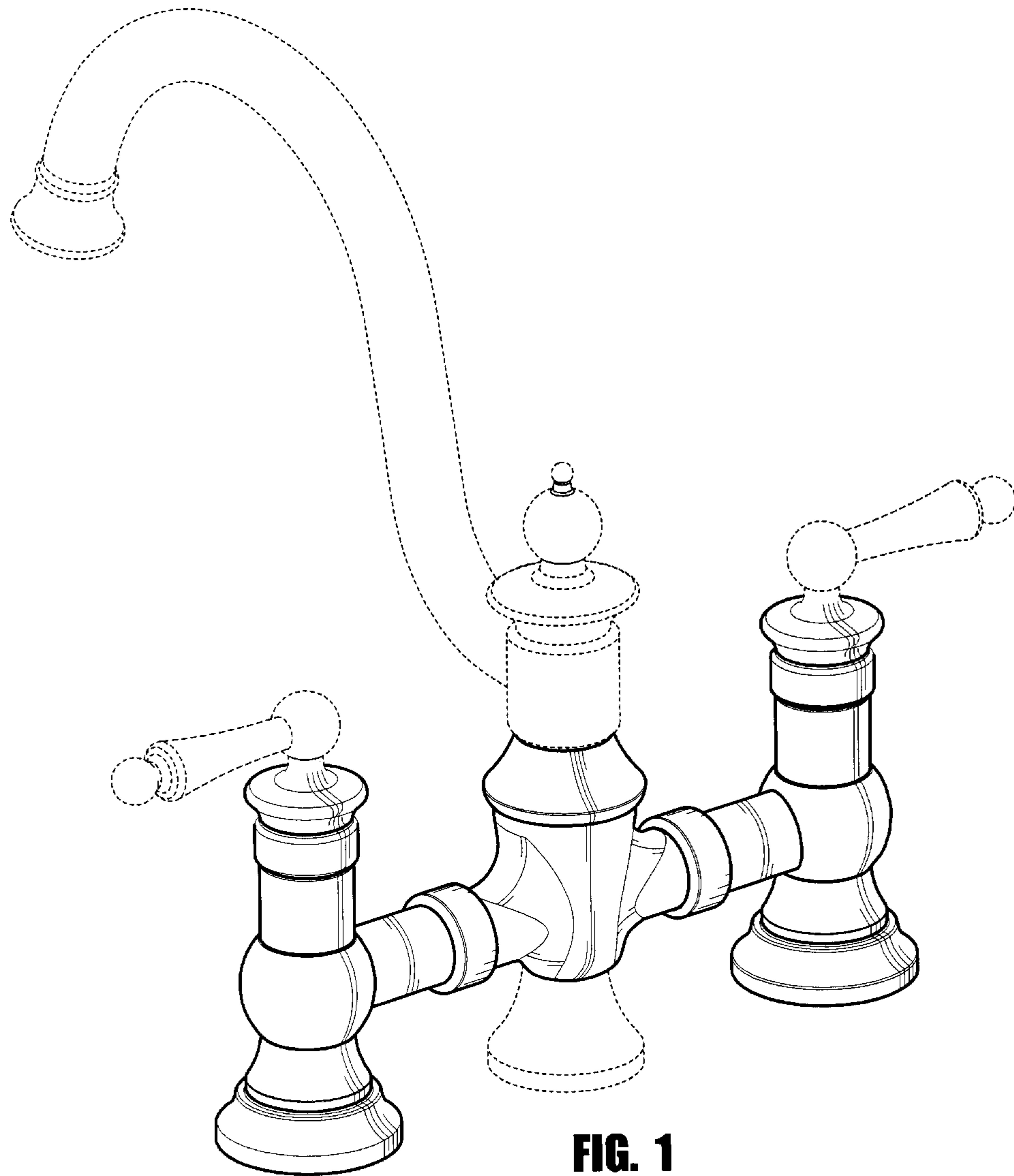


FIG. 1

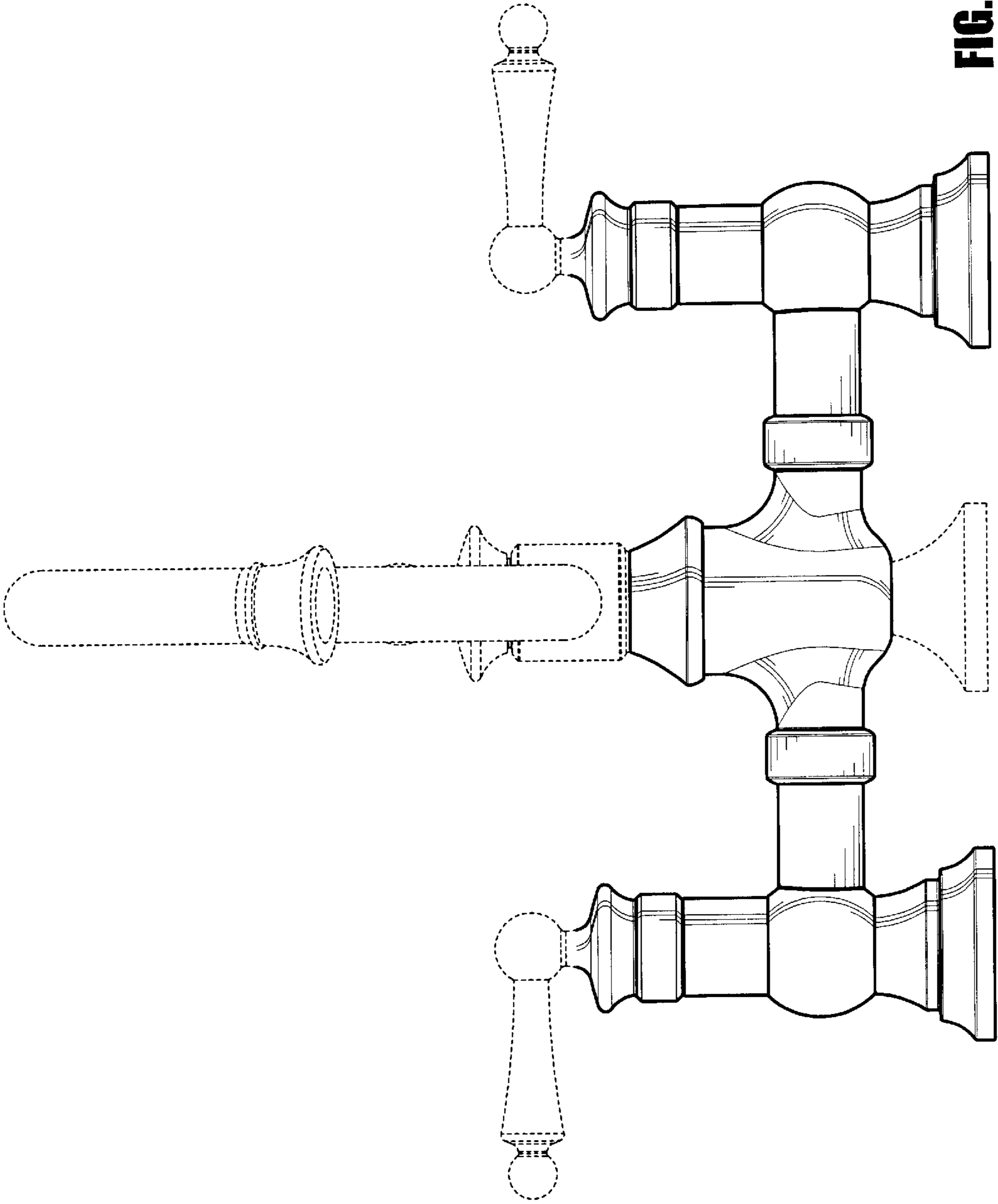


FIG. 2

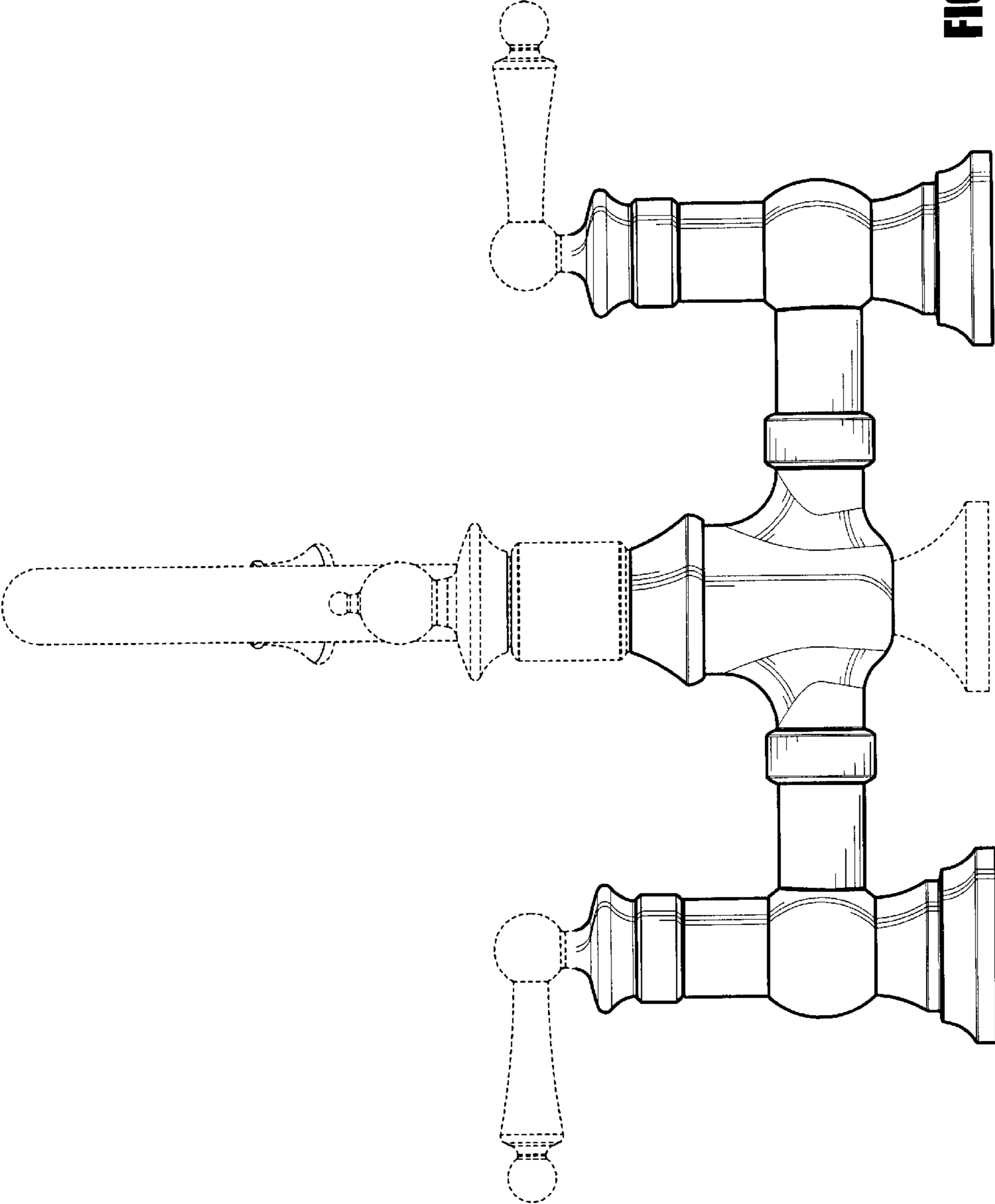


FIG. 3

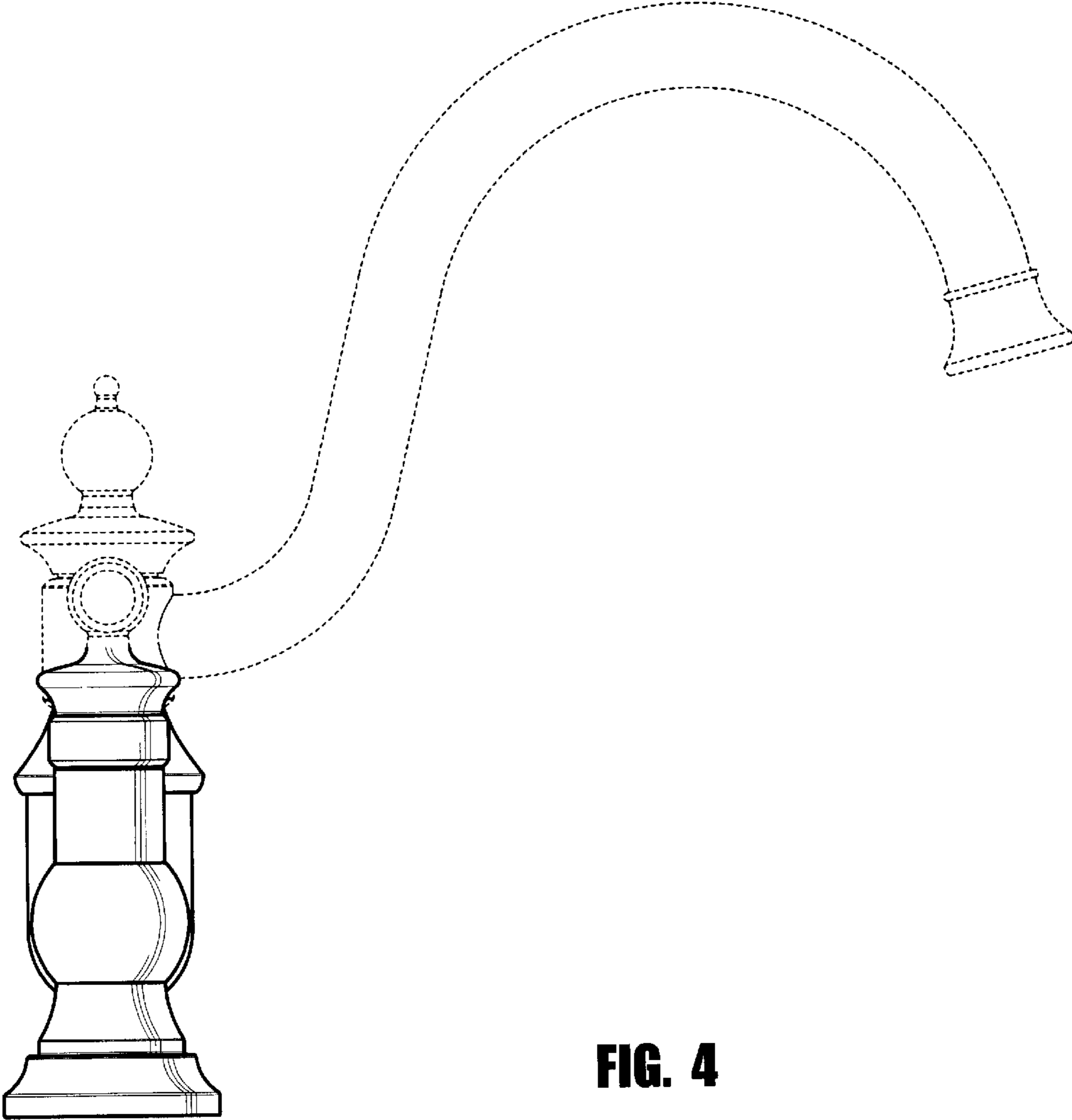


FIG. 4

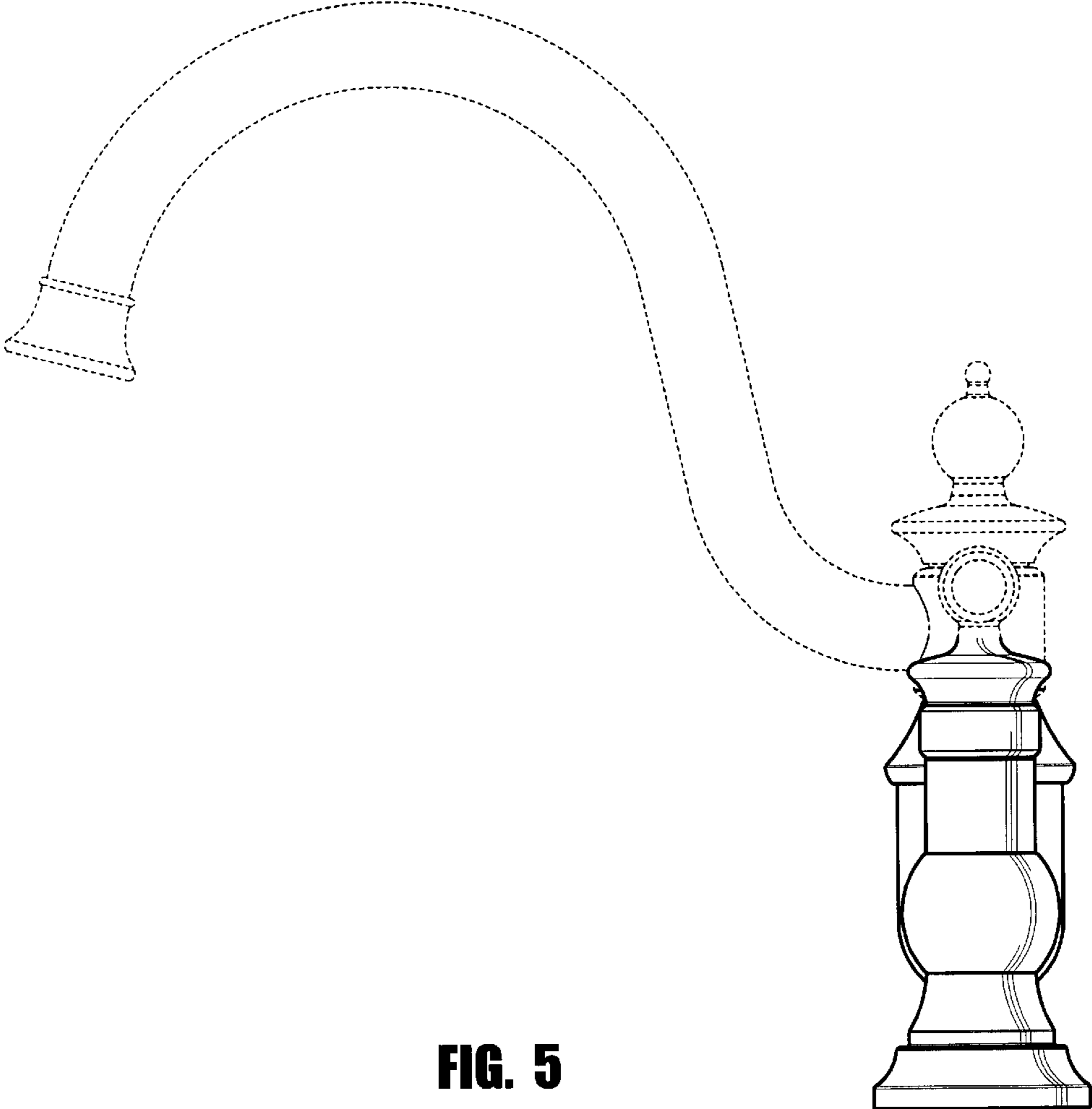


FIG. 5

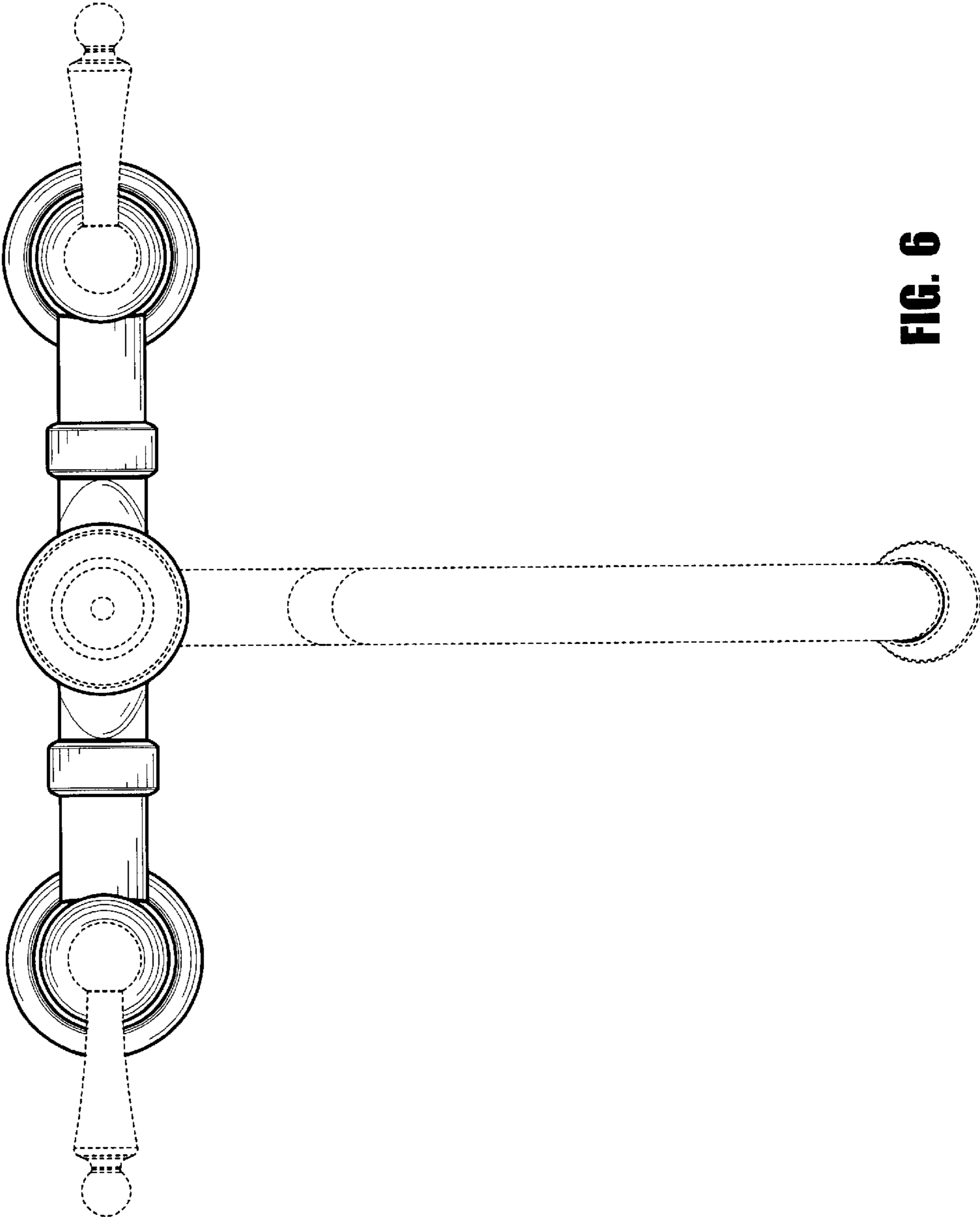


FIG. 6

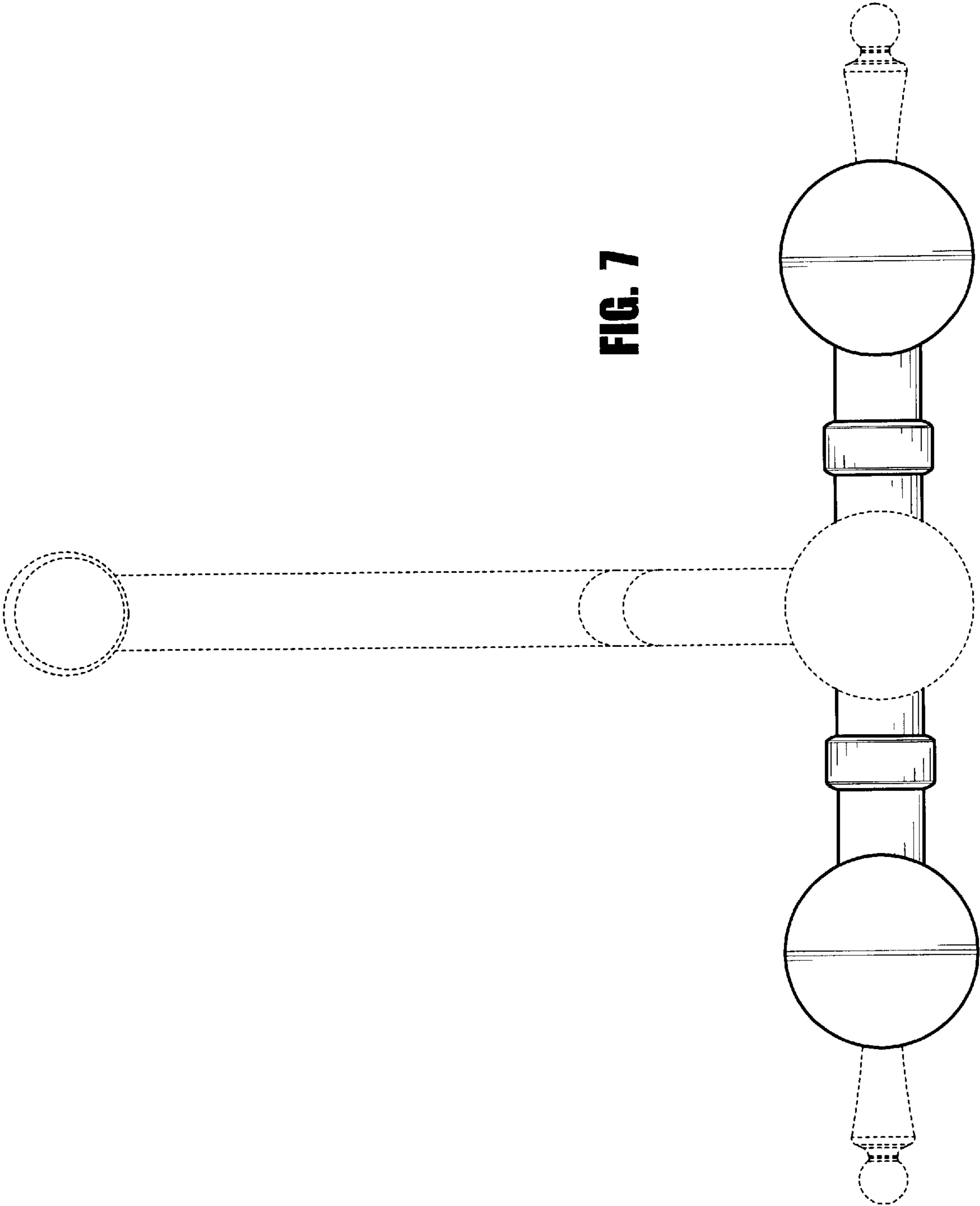


FIG. 7