



US00D516680S

(12) **United States Design Patent** (10) **Patent No.:** **US D516,680 S**
Schmitt et al. (45) **Date of Patent:** **** Mar. 7, 2006**

(54) **FAUCET THROAT PLATE ASSEMBLY**

(75) Inventors: **Paul A. Schmitt**, Wheaton, IL (US);
Martin E. Marcichow, Hoffman Estates, IL (US)

(73) Assignee: **Sloan Valve Company**, Franklin Park, IL (US)

(**) Term: **14 Years**

(21) Appl. No.: **29/189,167**

(22) Filed: **Aug. 29, 2003**

(51) **LOC (8) Cl.** **23-01**

(52) **U.S. Cl.** **D23/249; D23/238**

(58) **Field of Classification Search** D23/238-257;
4/675-687; 137/807, 615

See application file for complete search history.

(56) **References Cited**

U.S. PATENT DOCUMENTS

D329,688 S	*	9/1992	Yost	D23/255
5,215,216 A	*	6/1993	Van Marcke	4/678
D341,873 S	*	11/1993	Allen et al.	D23/238
D341,875 S	*	11/1993	Allen et al.	D23/238
D343,445 S	*	1/1994	Allen et al.	D23/238
D431,285 S	*	9/2000	Paterson et al.	D23/255
D441,847 S	*	5/2001	Oliver	D23/255

* cited by examiner

Primary Examiner—Louis S. Zarfaz

Assistant Examiner—Gregory Andoll

(74) *Attorney, Agent, or Firm*—Cook, Alex, McFarron, Manzo, Cummings & Mehler, Ltd.

(57) **CLAIM**

The ornamental design for a faucet throat plate assembly, as shown and described.

DESCRIPTION

FIG. 1 is a perspective view of our new design for a faucet throat plate assembly;

FIG. 2 is a front elevational view thereof;

FIG. 3 is a left side elevational view thereof, the right side being a mirror image of the left side;

FIG. 4 is a top plan view of the faucet body;

FIG. 5 is a bottom plan view of the faucet body and the faucet throat plate assembly; and

FIG. 6 is a rear view elevational view of the faucet body; and,

FIG. 7 is a bottom perspective view of the faucet throat plate assembly.

The broken line showing of the faucet body in FIGS. 1-7 is for illustrative purposes only and forms no part of the claimed design.

1 Claim, 3 Drawing Sheets

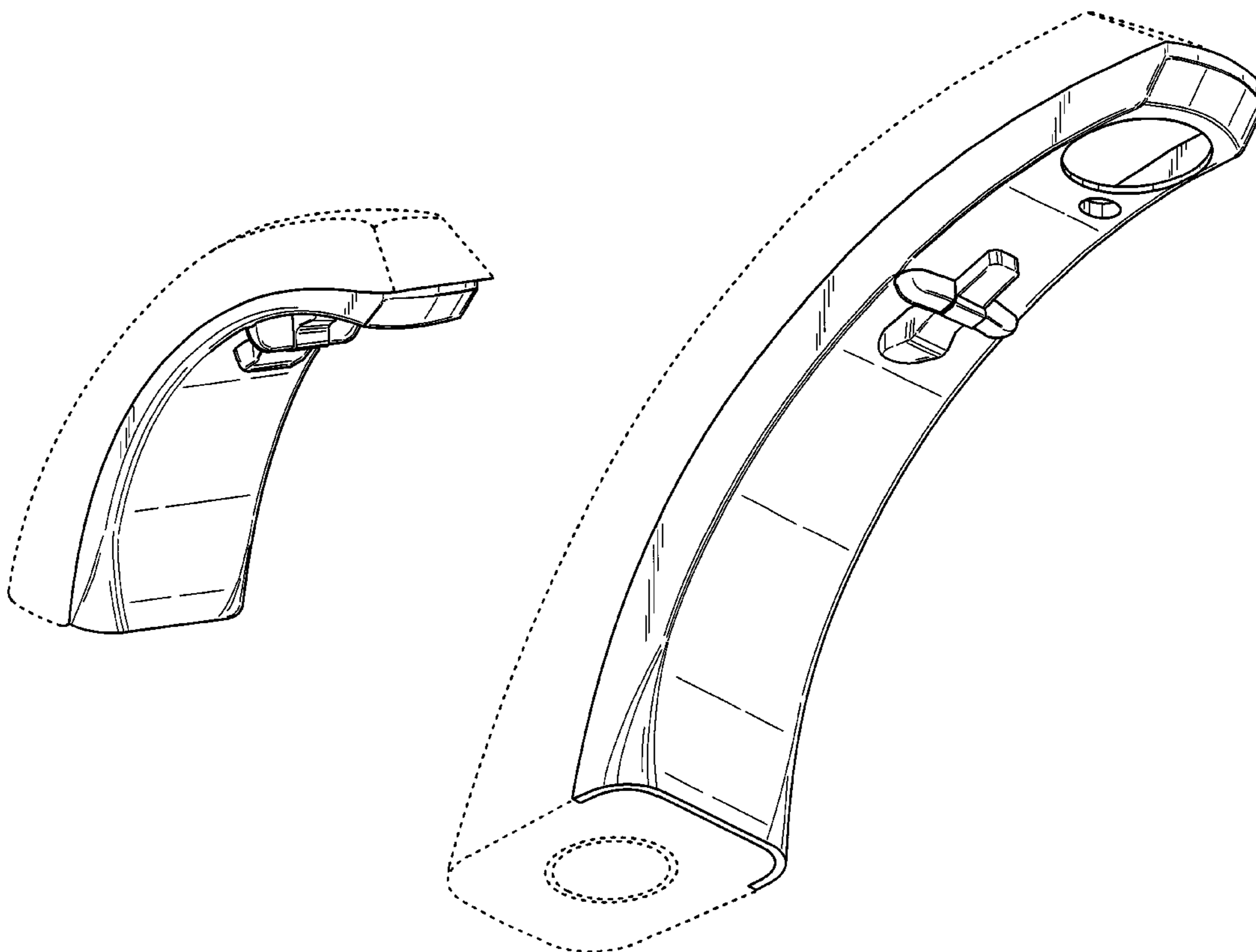


Fig. 1

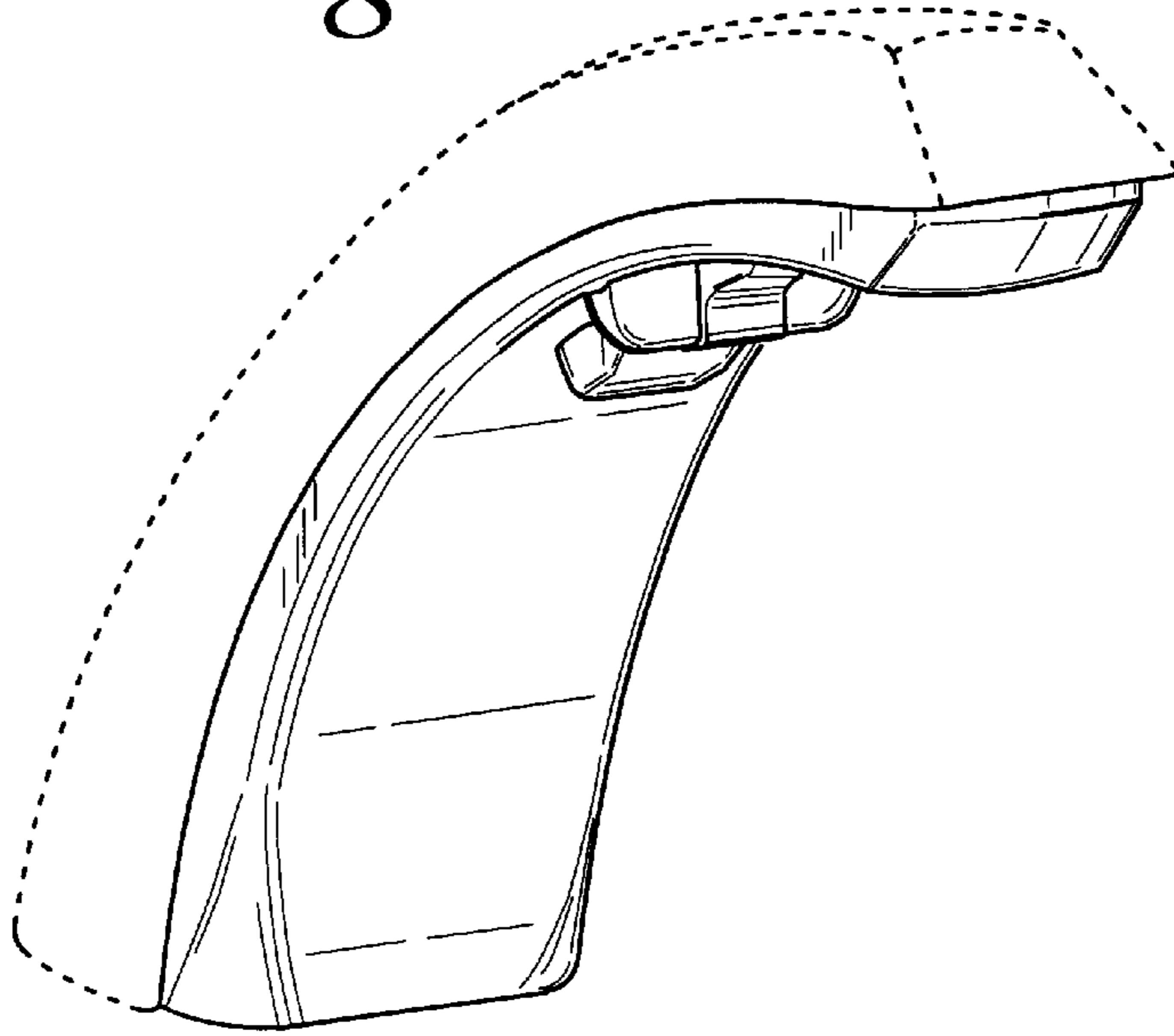


Fig. 2

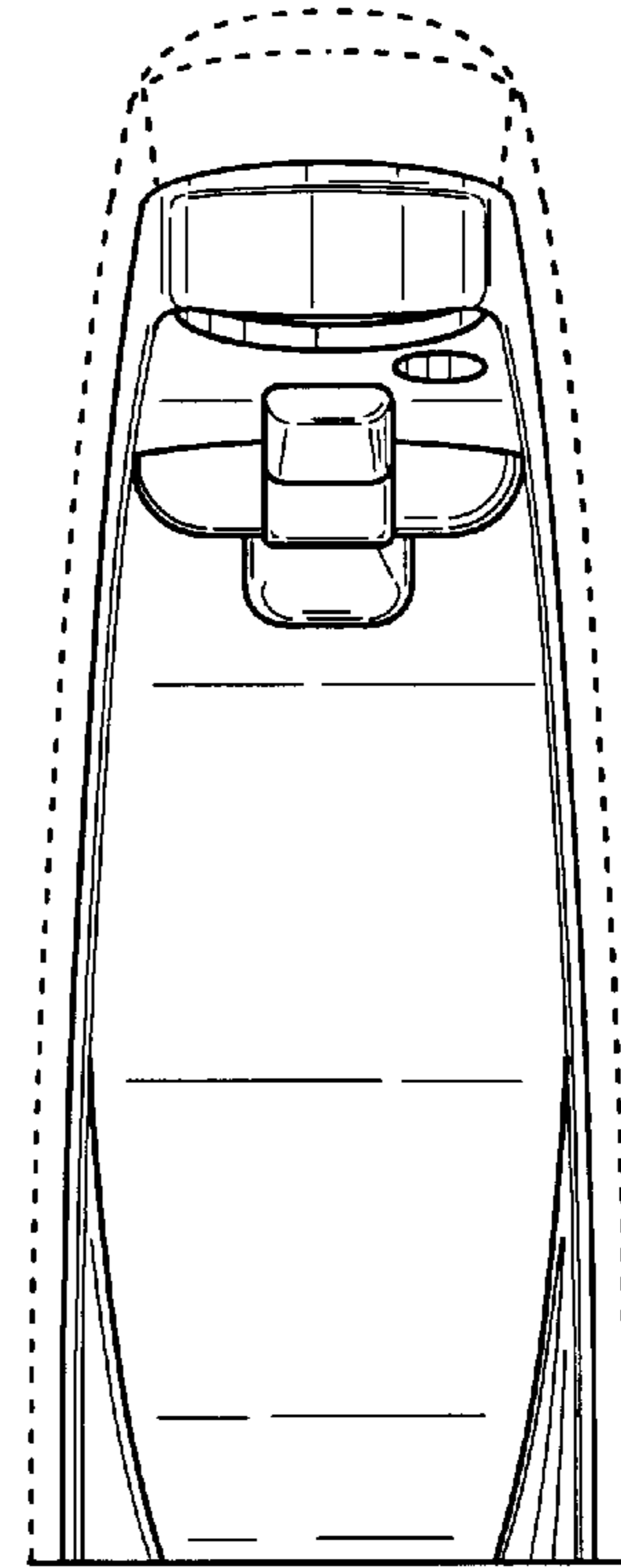


Fig. 3

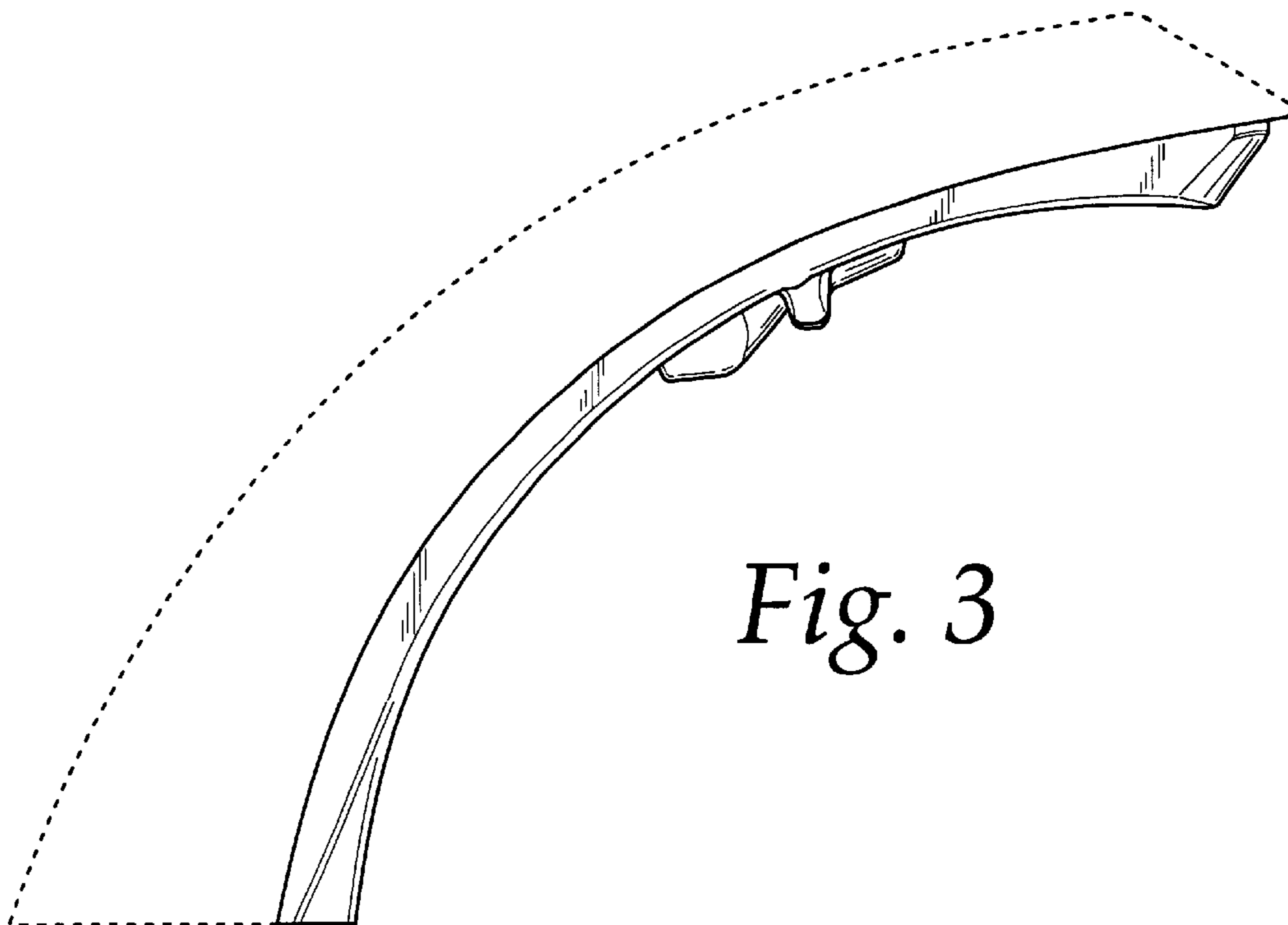


Fig. 4

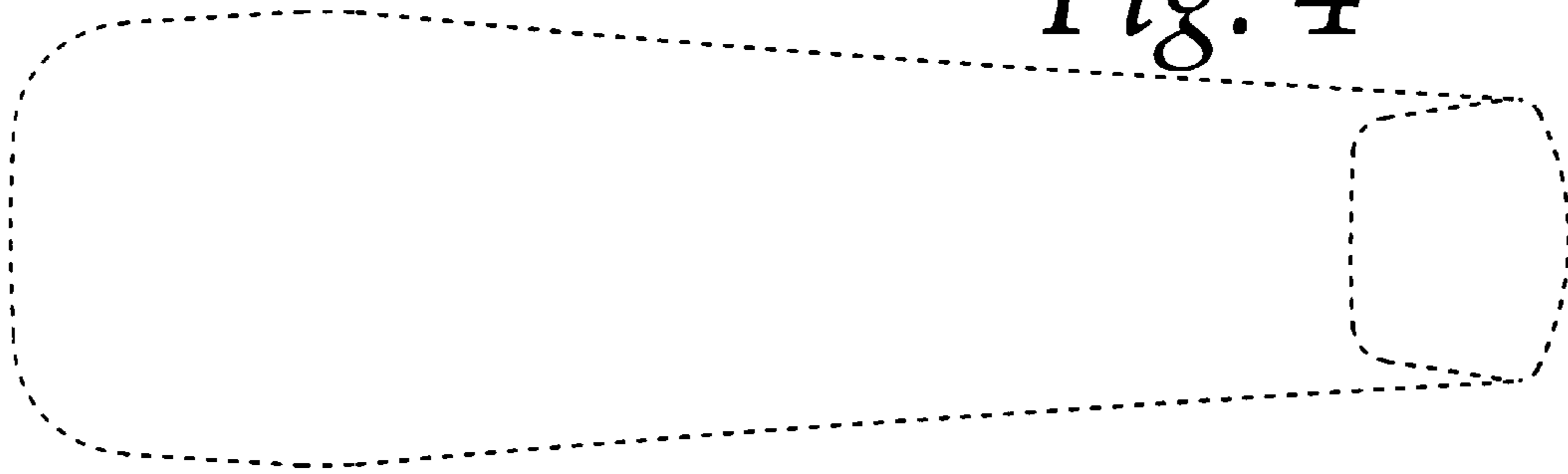


Fig. 5

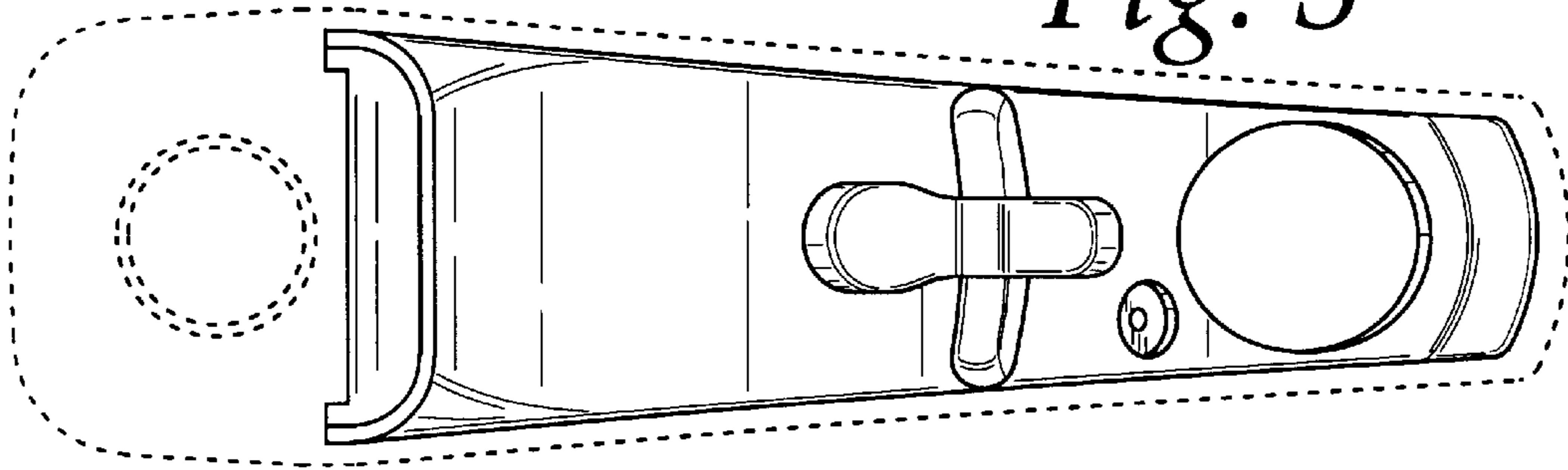
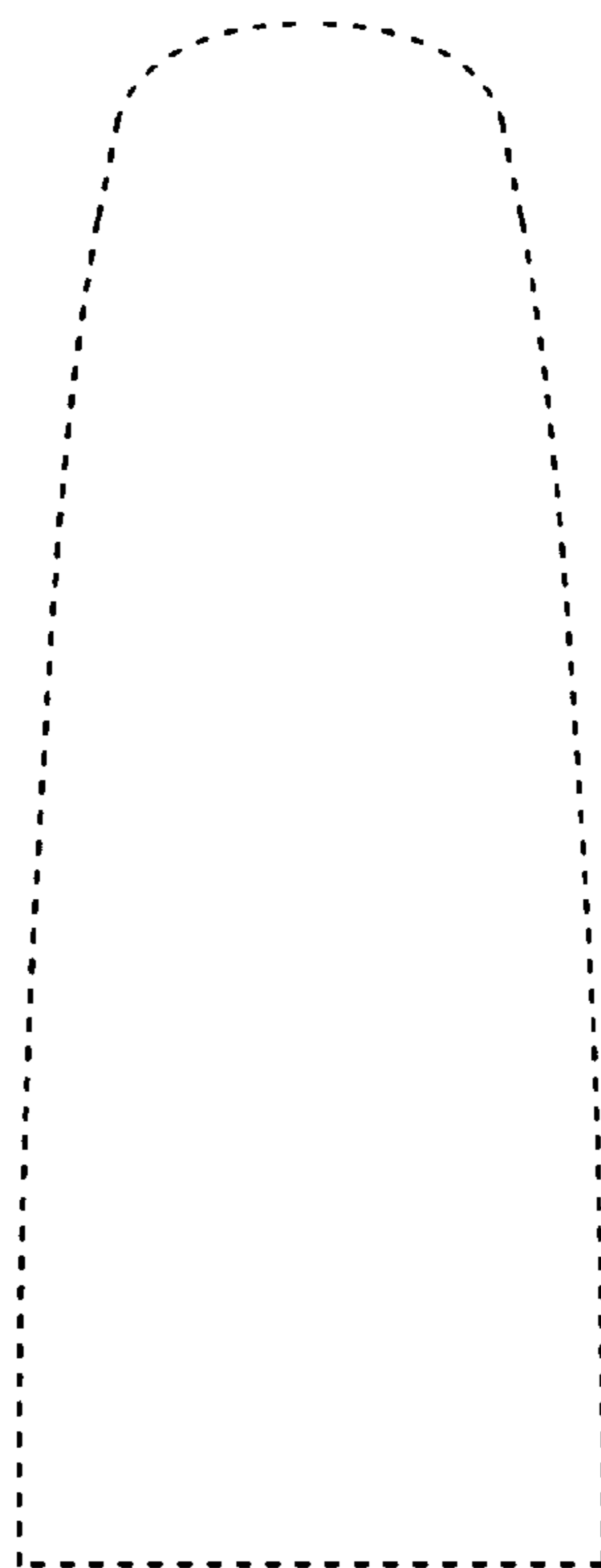


Fig. 6



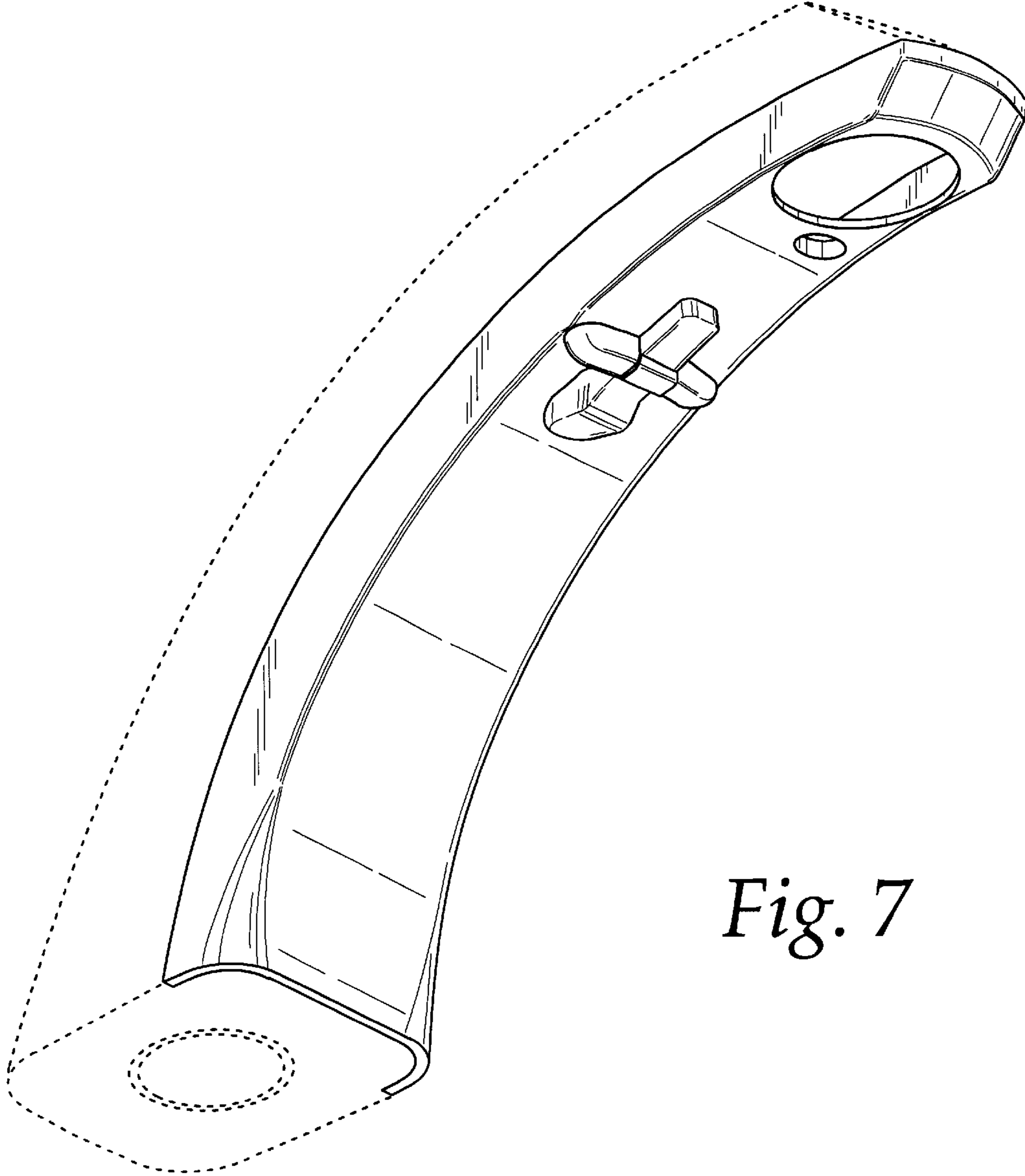


Fig. 7