



US00D516679S

(12) **United States Design Patent** (10) Patent No.: **US D516,679 S**
 Tripp et al. (45) Date of Patent: **** Mar. 7, 2006**

(54) HOSE BIB VALVE BODY	D396,524 S	7/1998	Patrick et al.
	D400,970 S	11/1998	Voo
(75) Inventors: Robert Tripp , Riverside, IL (US); Peter Berkman , Highland Park, IL (US)	D411,870 S	7/1999	Humber
	D411,872 S	* 7/1999	Mirth et al. D23/249
	D412,561 S	8/1999	Voo
	D429,518 S	8/2000	Ferrer Beltran
	D429,519 S	8/2000	Ferrer Beltran
	D429,520 S	8/2000	Ferrer Beltran
(73) Assignee: B & K Industries , Elk Grove Village, IL (US)	D430,272 S	* 8/2000	Hung-Lin D23/245
(**) Term: 14 Years	D430,922 S	* 9/2000	Hung-Lin D23/245
	D431,068 S	9/2000	Beaver et al.
(21) Appl. No.: 29/217,715	D438,595 S	3/2001	Ferrer Beltran
	D455,818 S	* 4/2002	Naoyuki D23/245
(22) Filed: Nov. 19, 2004	D477,655 S	* 7/2003	Paine D23/245
	D500,123 S	* 12/2004	Pelletz D23/245

Related U.S. Application Data

- (62) Division of application No. 29/195,135, filed on Dec. 5, 2003, now Pat. No. Des. 499,172, which is a division of application No. 29/163,336, filed on Jul. 1, 2002, now Pat. No. Des. 486,204.
- (51) **LOC (8) Cl.** **23-01**
- (52) **U.S. Cl.** **D23/245**
- (58) **Field of Classification Search** D23/233–237, D23/244–245, 249; 251/309–310, 315.01, 251/315.1, 315.14, 315.15
 See application file for complete search history.

References Cited

U.S. PATENT DOCUMENTS

D234,200 S	1/1975	Buechler
D237,968 S	12/1975	Olson, Jr.
D297,254 S	8/1988	Odate et al.
D304,490 S	11/1989	Hengesbach
D312,121 S	11/1990	Wozniak et al.
D318,319 S	7/1991	Rokita
D321,928 S	11/1991	Milo
D328,945 S	8/1992	Aarthun et al.
D359,102 S	6/1995	Bouc et al.
D372,073 S	7/1996	Ozaki et al.
D385,010 S	10/1997	Hennessy

* cited by examiner

Primary Examiner—Caron D. Veynar
Assistant Examiner—Maurice Stevens
 (74) *Attorney, Agent, or Firm*—Katten Muchin Rosenman LLP; John F. Paniaguas

(57) **CLAIM**

The ornamental design for a hose bib valve body, as shown and described.

DESCRIPTION

FIG. 1 is a perspective view of a hose bib valve body showing the handle in exploded phantom in accordance with the present invention;

FIG. 2 is a left side elevational view of the hose bib valve body shown in FIG. 1, the right side elevational view is a mirror image thereof; and,

FIG. 3 is a top plan view of the hose bib valve body shown in FIG. 1.

The broken line showing environment in FIG. 1 is for illustrative purposes only and forms no part of the claimed design.

1 Claim, 1 Drawing Sheet

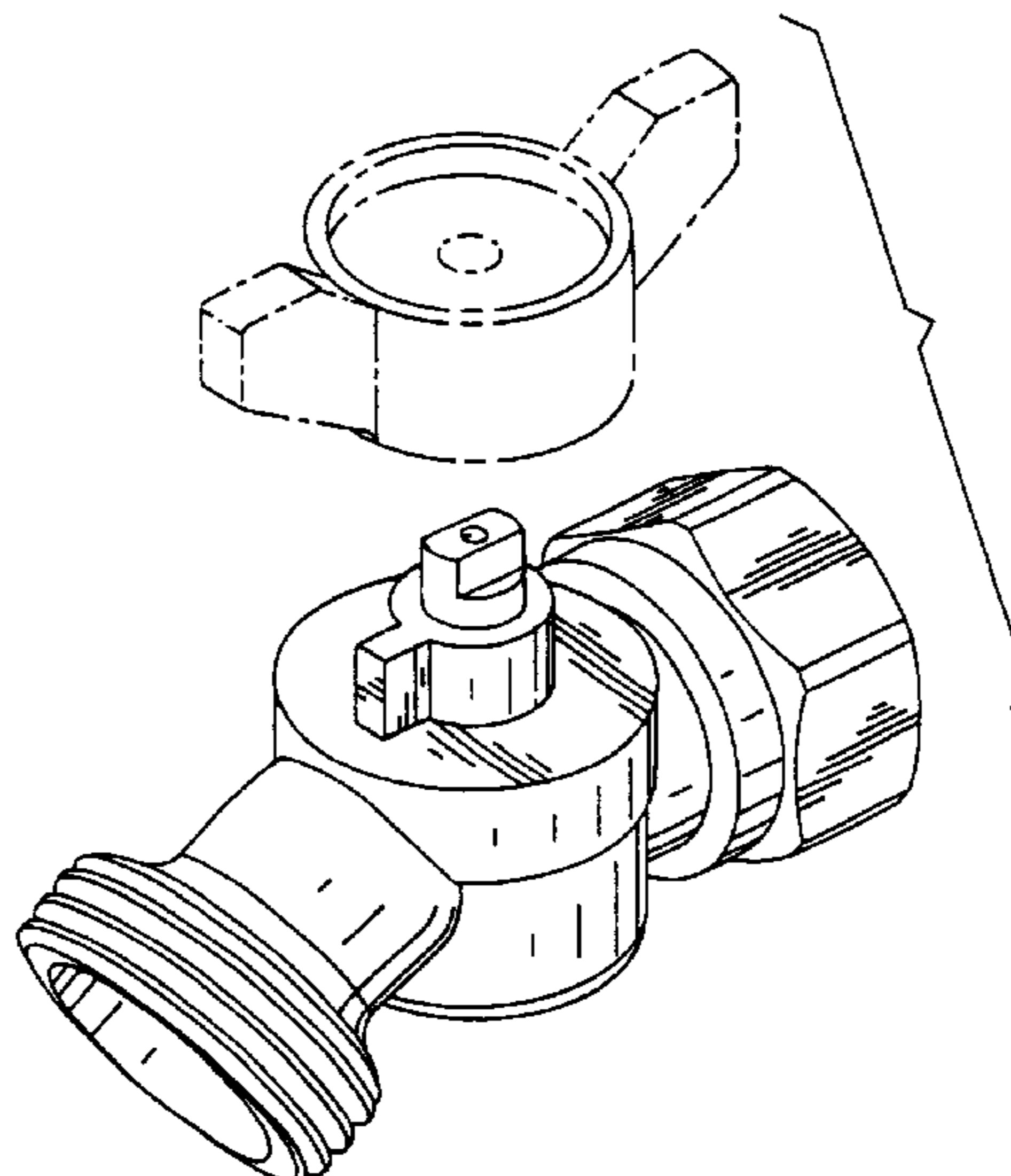


Figure 1

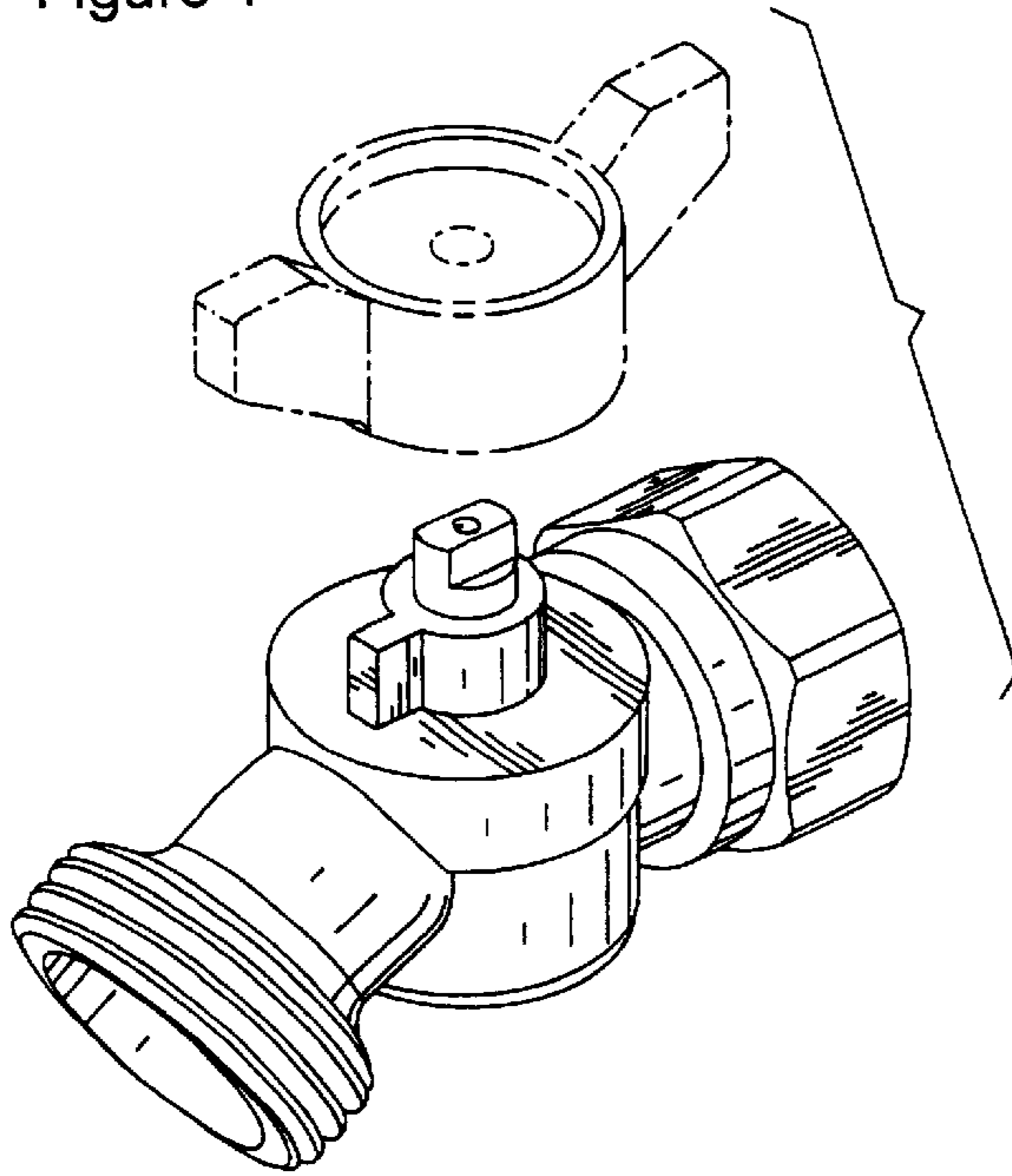


Figure 2

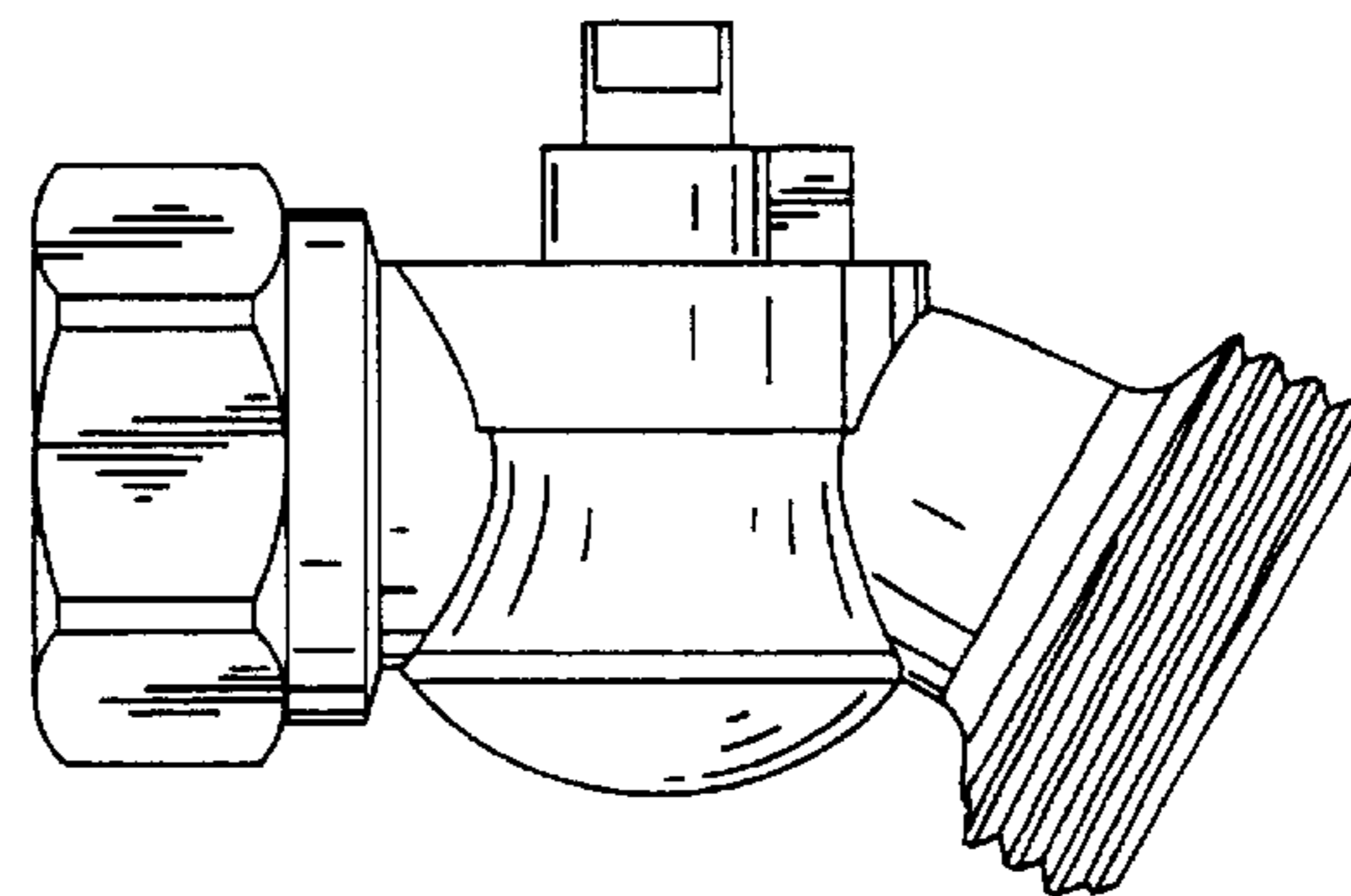


Figure 3

