



US00D516678S

(12) **United States Design Patent**
Tripp et al.

(10) **Patent No.:** **US D516,678 S**
(45) **Date of Patent:** **** Mar. 7, 2006**

(54) **HOSE BIB VALVE**

D412,561 S 8/1999 Voo

(Continued)

(75) Inventors: **Robert Tripp**, Riverside, IL (US);
Peter Berkman, Highland Park, IL (US)

Primary Examiner—Caron D. Veynar
Assistant Examiner—Maurice Stevens

(73) Assignee: **B & K Industries**, Elk Grove Village, IL (US)

(74) *Attorney, Agent, or Firm*—Katten Muchin Rosenman LLP; John S. Paniaguas

(**) **Term:** **14 Years**

(57) **CLAIM**

The ornamental design for a hose bib valve, as shown and described.

(21) Appl. No.: **29/217,659**

(22) Filed: **Nov. 19, 2004**

DESCRIPTION

Related U.S. Application Data

(62) Division of application No. 29/195,135, filed on Dec. 5, 2003, now Pat. No. Des. 499,172, which is a division of application No. 29/163,336, filed on Jul. 1, 2002, now Pat. No. Des. 486,204.

FIG. 1 is a perspective view of a first embodiment of a hose bib valve in accordance with the present invention.

FIG. 2 is a front elevational view of the hose bib valve shown in FIG. 1

FIG. 3 is a left side elevational view of the hose bib valve shown in FIG. 1, the right side elevational view is a mirror image thereof;

(51) **LOC (8) Cl.** **23-01**

(52) **U.S. Cl.** **D23/245**

(58) **Field of Classification Search** D23/233–237,
D23/244–245, 249; 251/309–310, 315.01,
251/315.14, 315.15, 315.1

FIG. 4 is a rear elevational view of the hose bib valve shown in FIG. 1;

FIG. 5 is a top plan view of the hose bib valve shown in FIG. 1;

FIG. 6 is a bottom plan view of the hose bib valve shown in FIG. 1;

See application file for complete search history.

FIG. 7 is a perspective view of a second embodiment of a hose bib valve in accordance with the present invention;

FIG. 8 is a front elevational view of the hose bib valve shown in FIG. 7;

(56) **References Cited**

U.S. PATENT DOCUMENTS

- D234,200 S 1/1975 Buechler
- D237,968 S 12/1975 Olson, Jr.
- D297,254 S 8/1988 Odate et al.
- D304,490 S 11/1989 Hengesbach
- D312,121 S 11/1990 Wozniak et al.
- D318,319 S 7/1991 Rokita
- D321,928 S 11/1991 Milo
- D328,945 S 8/1992 Aarthun et al.
- D359,102 S 6/1995 Bouc et al.
- D372,073 S 7/1996 Ozaki et al.
- D385,010 S 10/1997 Hennessy
- D396,524 S 7/1998 Patrick et al.
- D400,970 S 11/1998 Voo
- D411,870 S 7/1999 Humber
- D411,872 S * 7/1999 Mirth et al. D23/249

FIG. 9 is a left side elevational view of the hose bib valve shown in FIG. 7, the right side elevational view is a mirror image thereof;

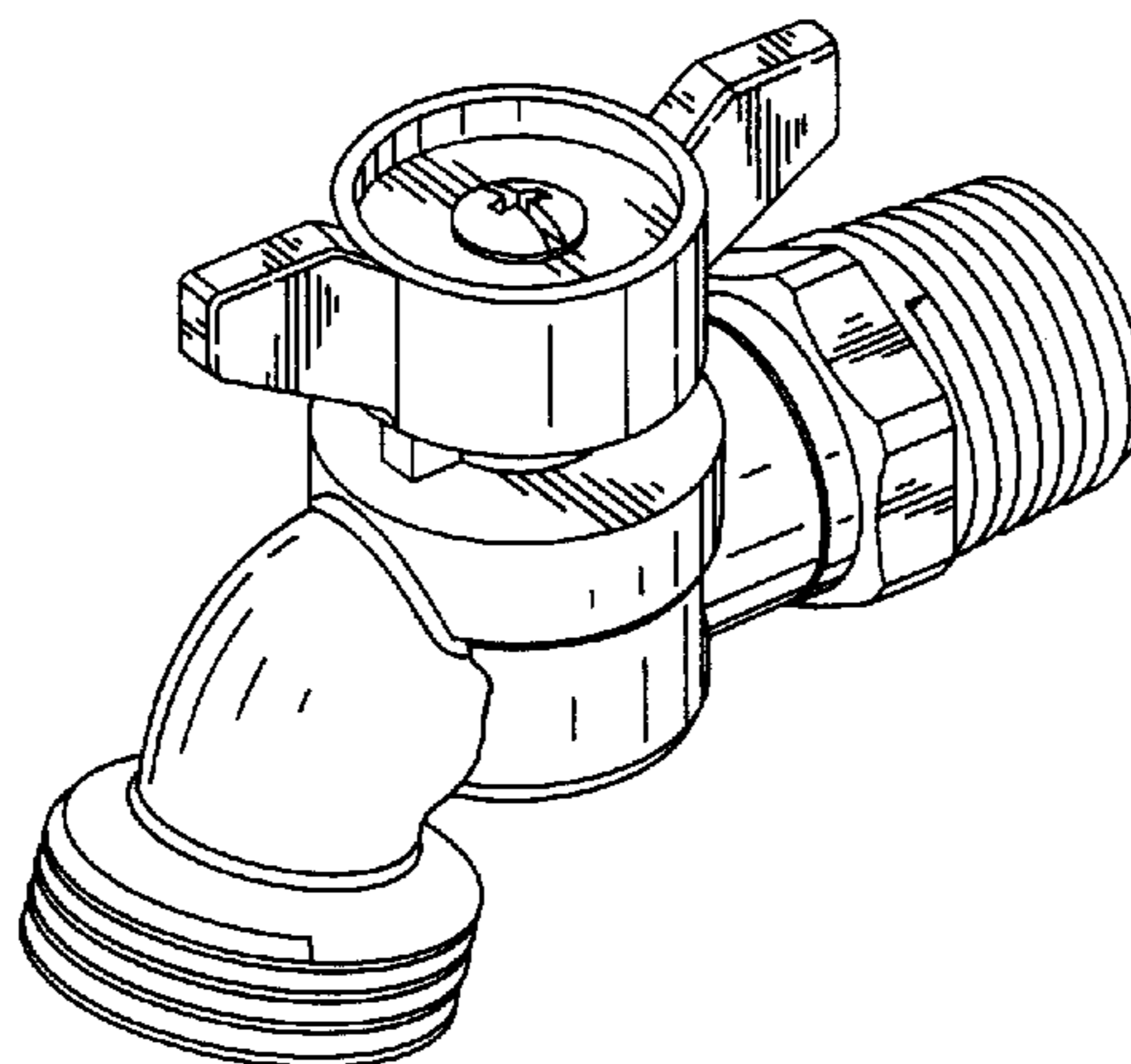
FIG. 10 is a rear elevational view of the hose bib valve shown in FIG. 7;

FIG. 11 is a top plan view of the hose bib valve shown in FIG. 7; and,

FIG. 12 is a bottom plan view of the hose bib valve shown in FIG. 7.

The broken lines showing environment are for illustrative purposes only and forms no part of the claimed design.

1 Claim, 4 Drawing Sheets



US D516,678 S

Page 2

U.S. PATENT DOCUMENTS

D429,518 S	8/2000	Ferrer Beltran	
D429,519 S	8/2000	Ferrer Beltran	
D429,520 S	8/2000	Ferrer Beltran	
D430,272 S	*	8/2000 Hung-Lin D23/245
D430,922 S	*	9/2000 Hung-Lin D23/245
D431,068 S	9/2000	Beaver et al.	
D438,595 S	3/2001	Ferrer Beltran	
D455,818 S	*	4/2002 Naoyuki D23/245
D477,655 S	*	7/2003 Paine D23/245
D500,123 S	*	12/2004 Pelletz D23/245

* cited by examiner

Figure 1.

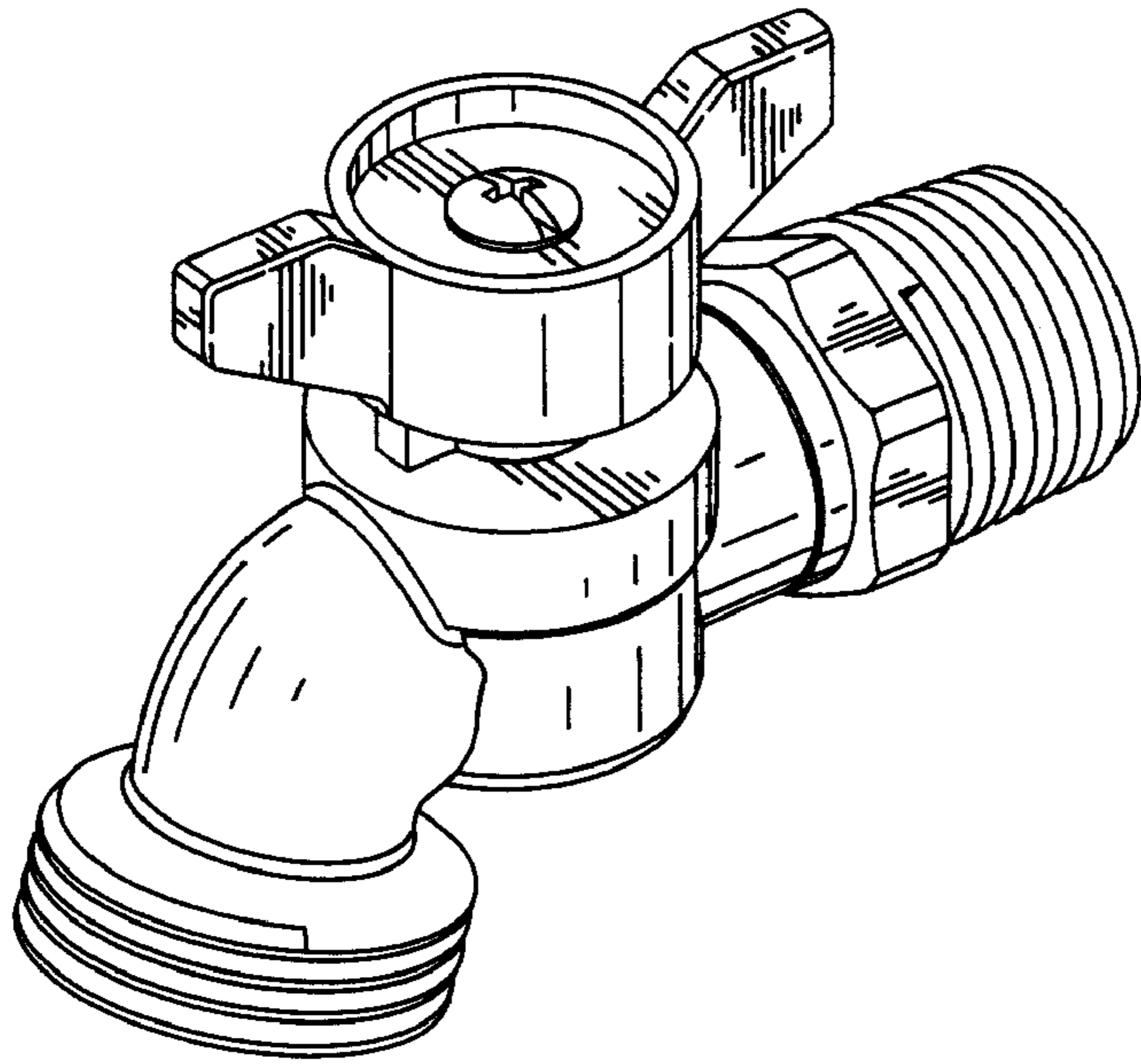


Figure 2

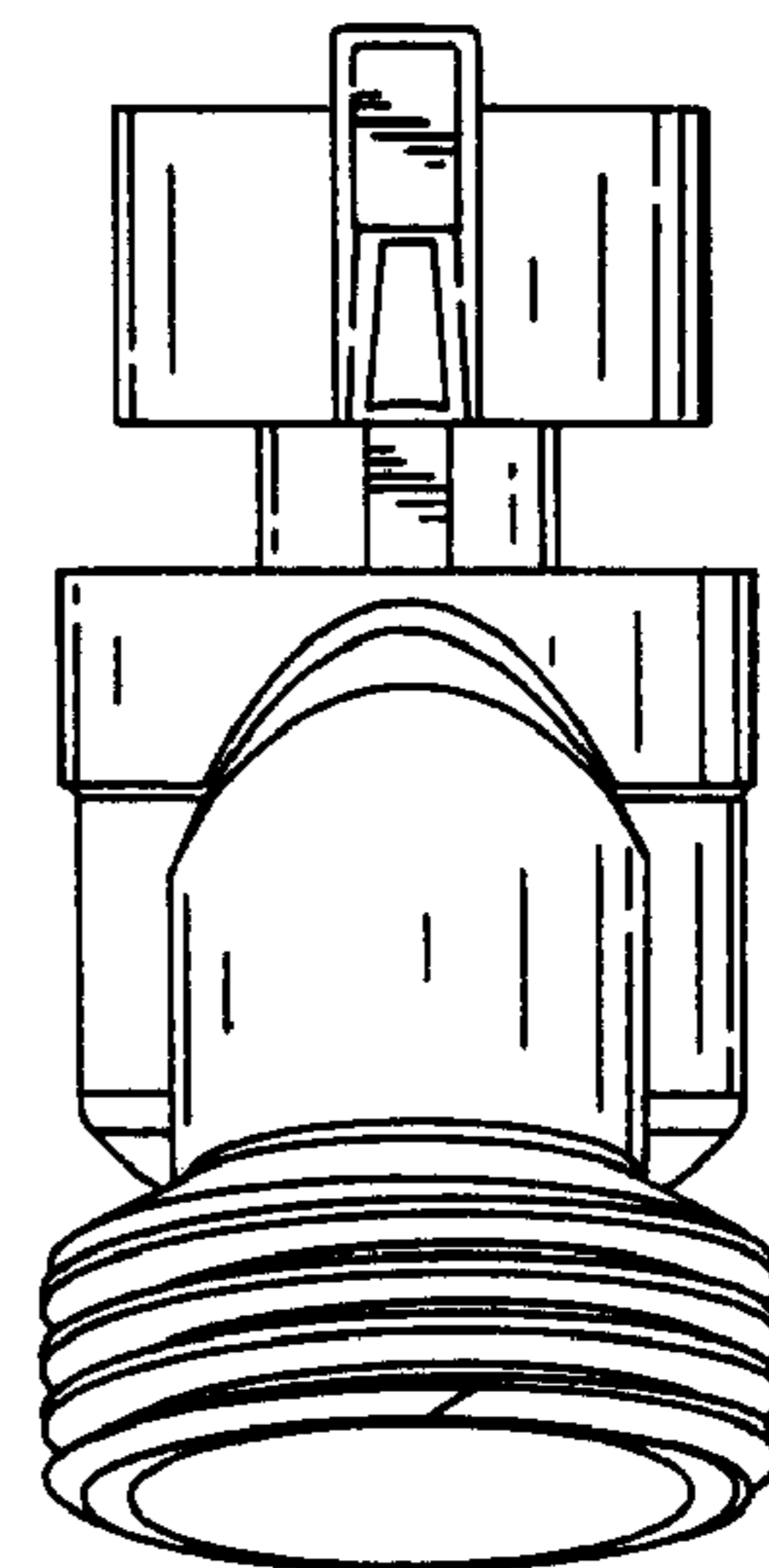


Figure 3

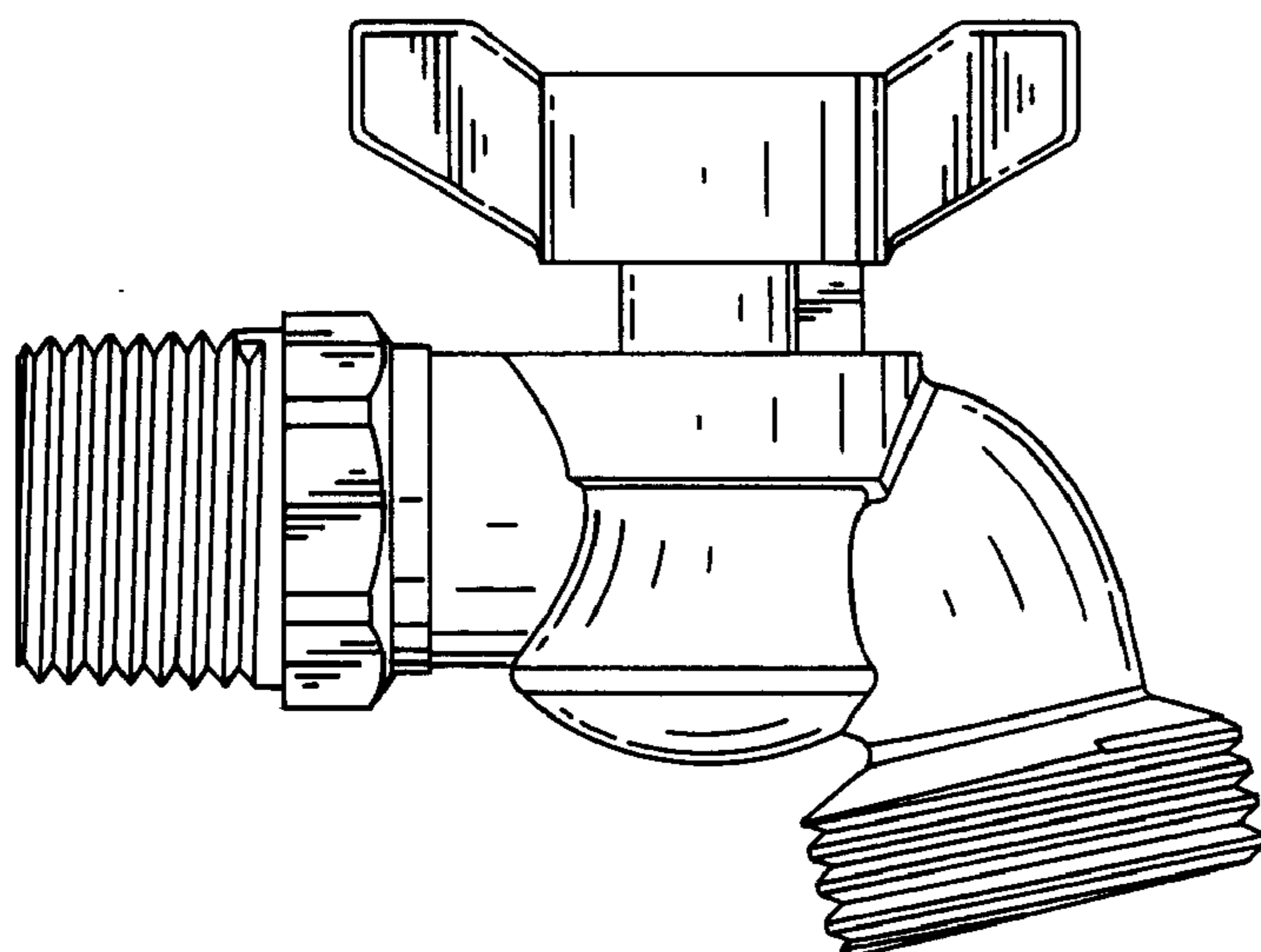


Figure 4

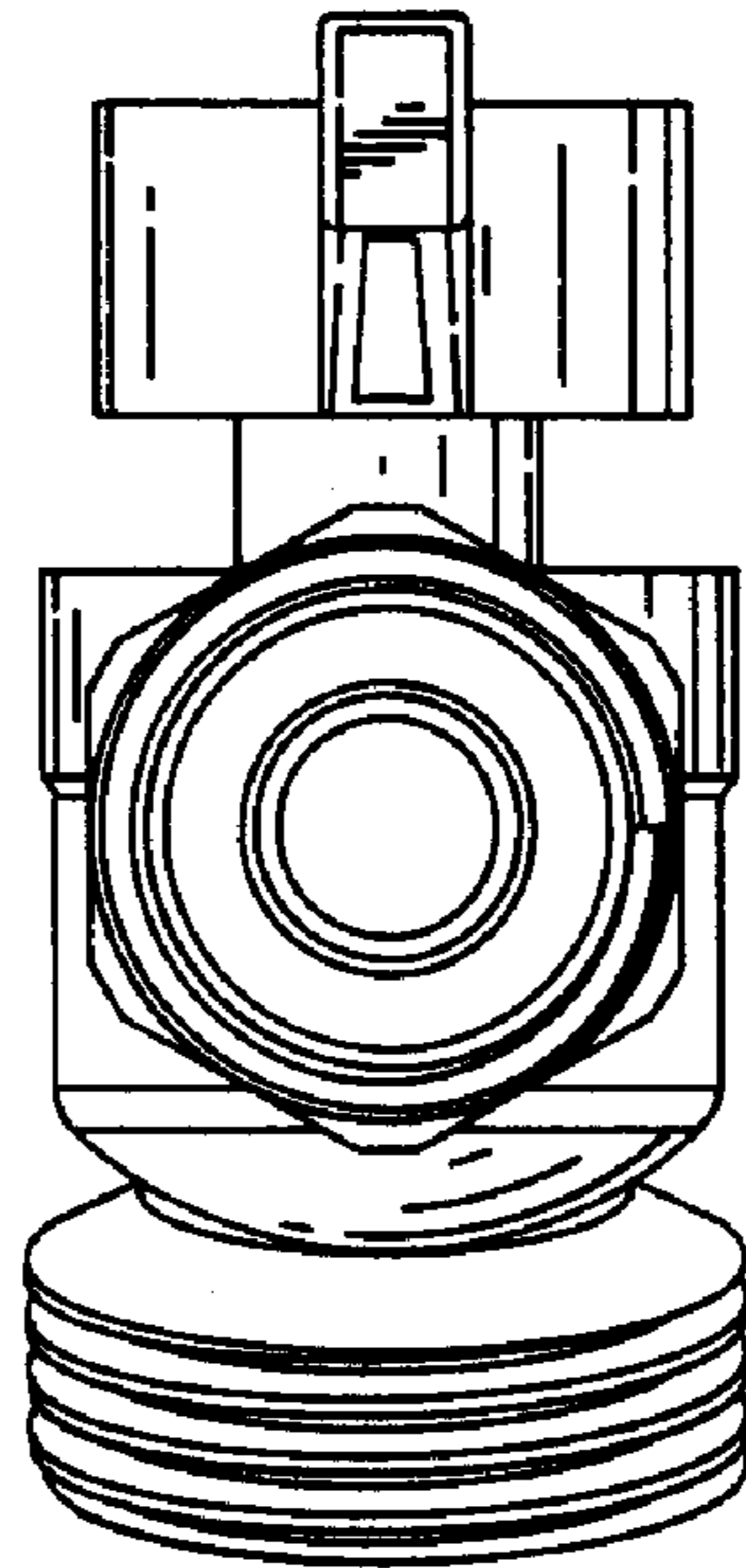


Figure 5

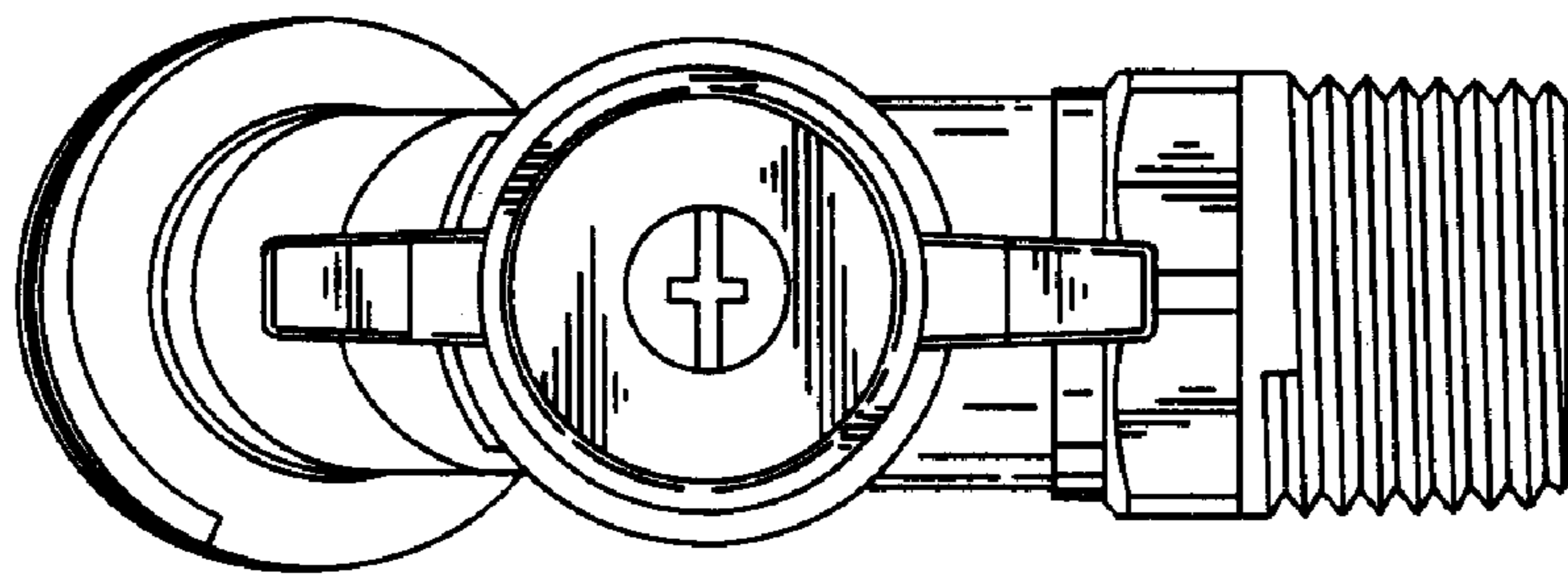


Figure 6

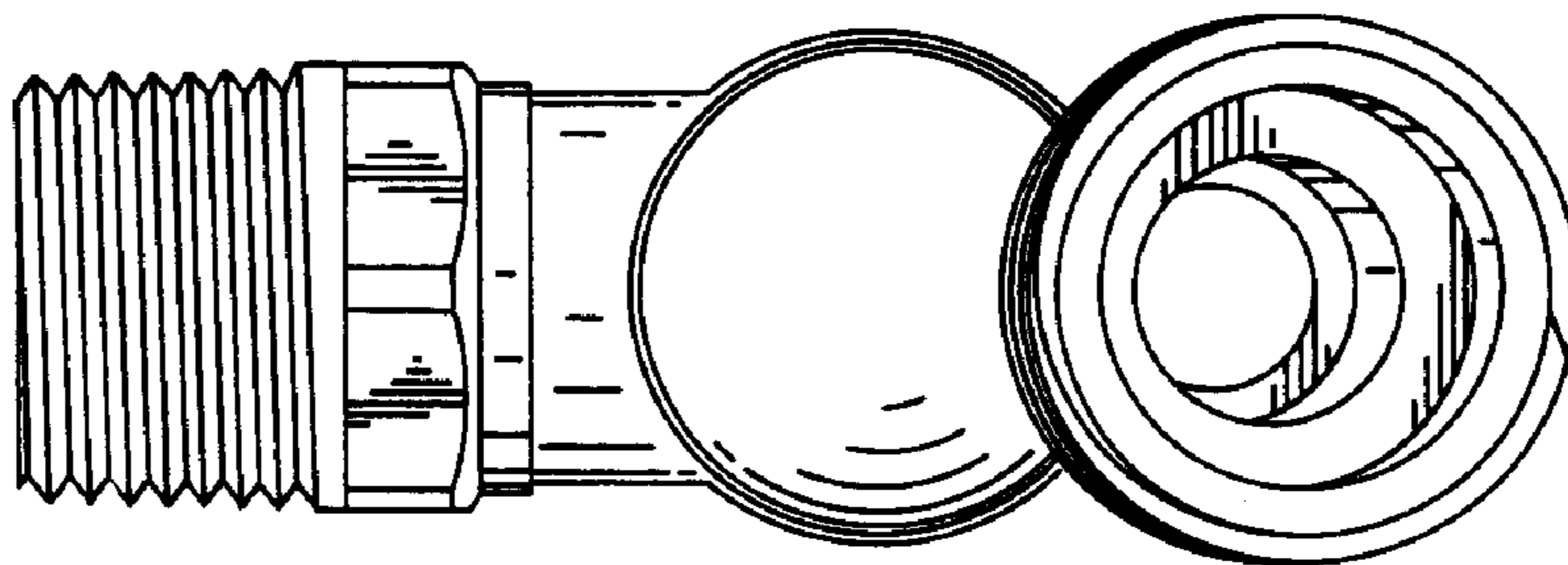


Figure 7

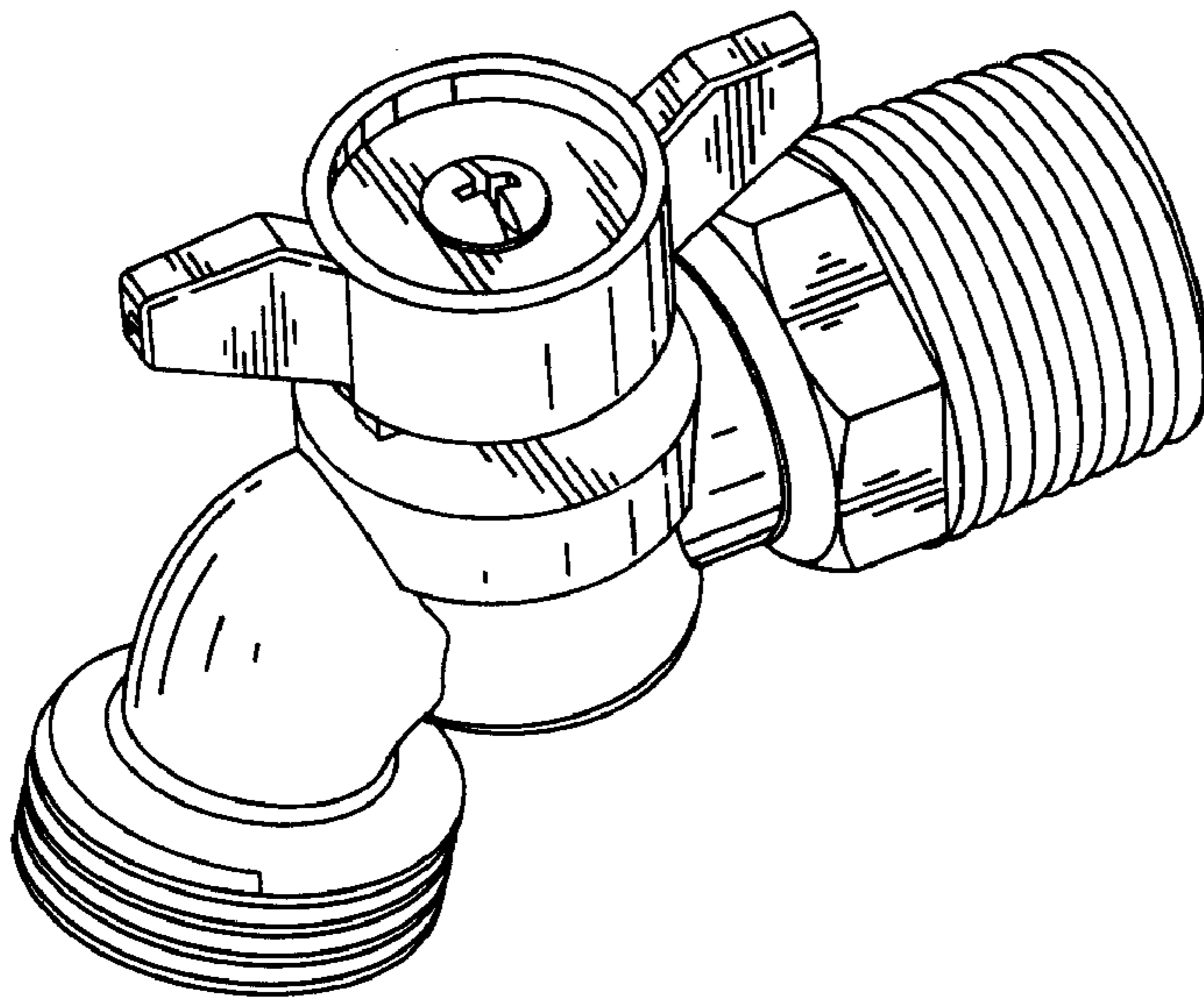


Figure 8

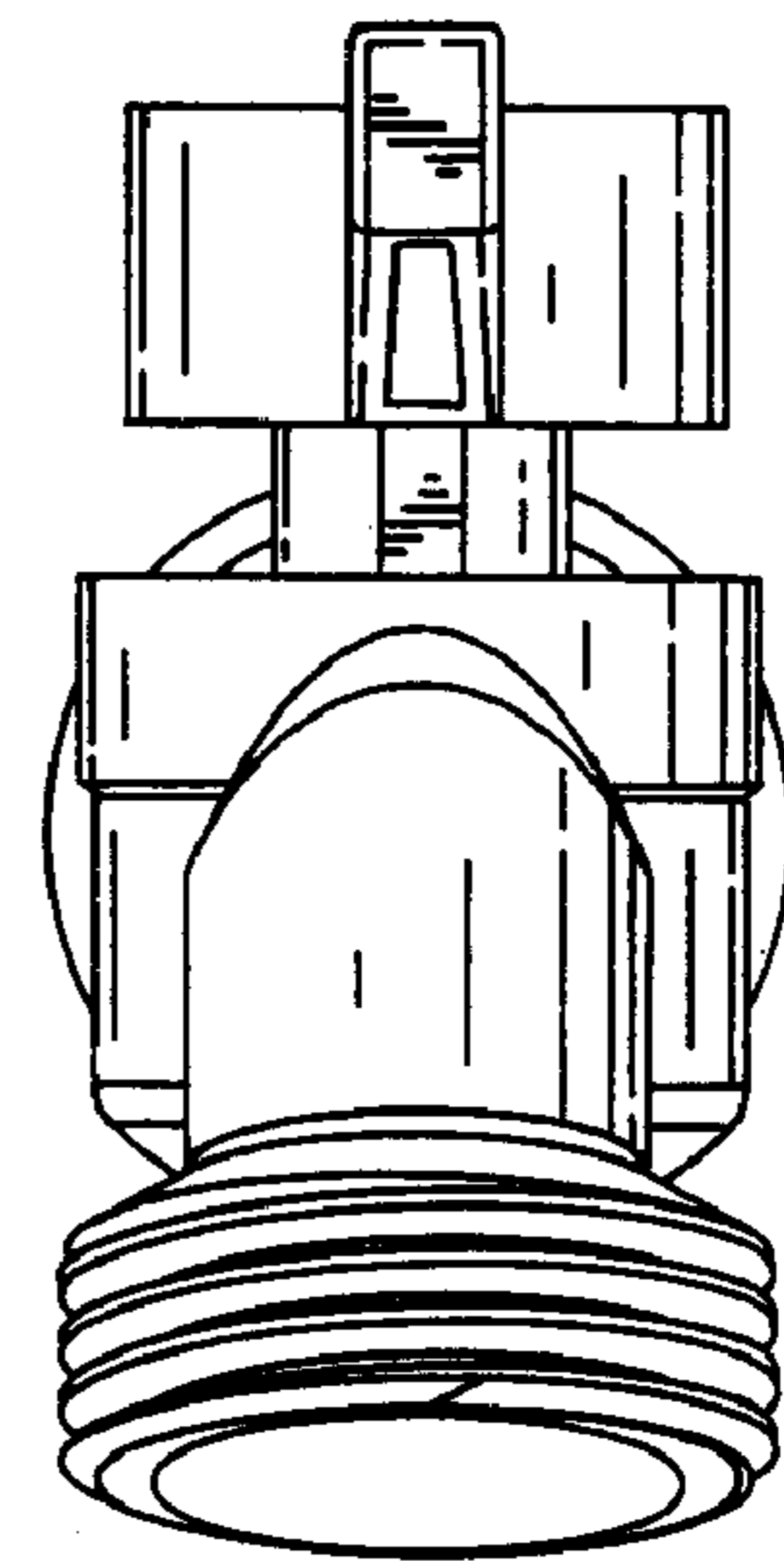


Figure 9

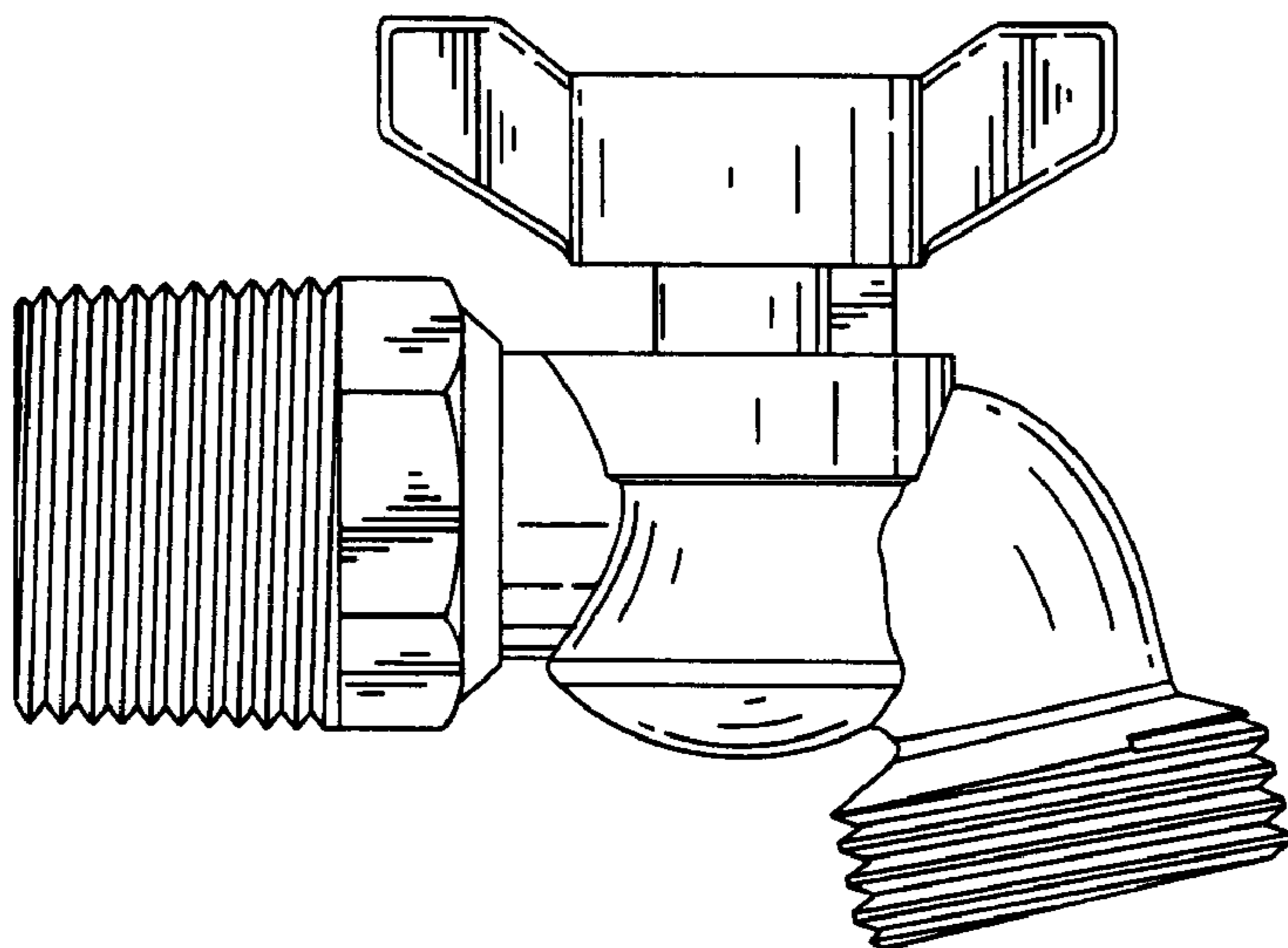


Figure 10

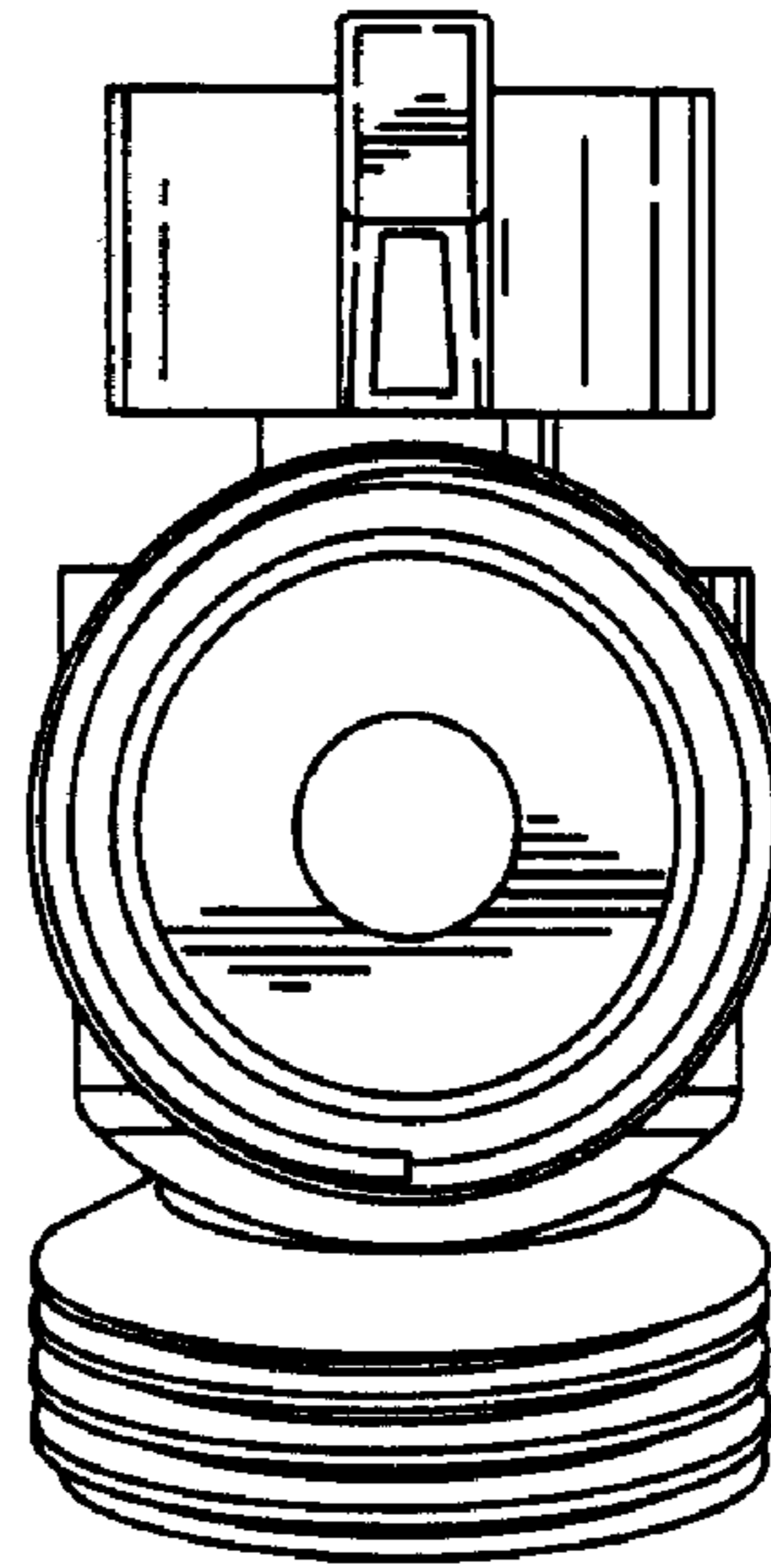


Figure 11

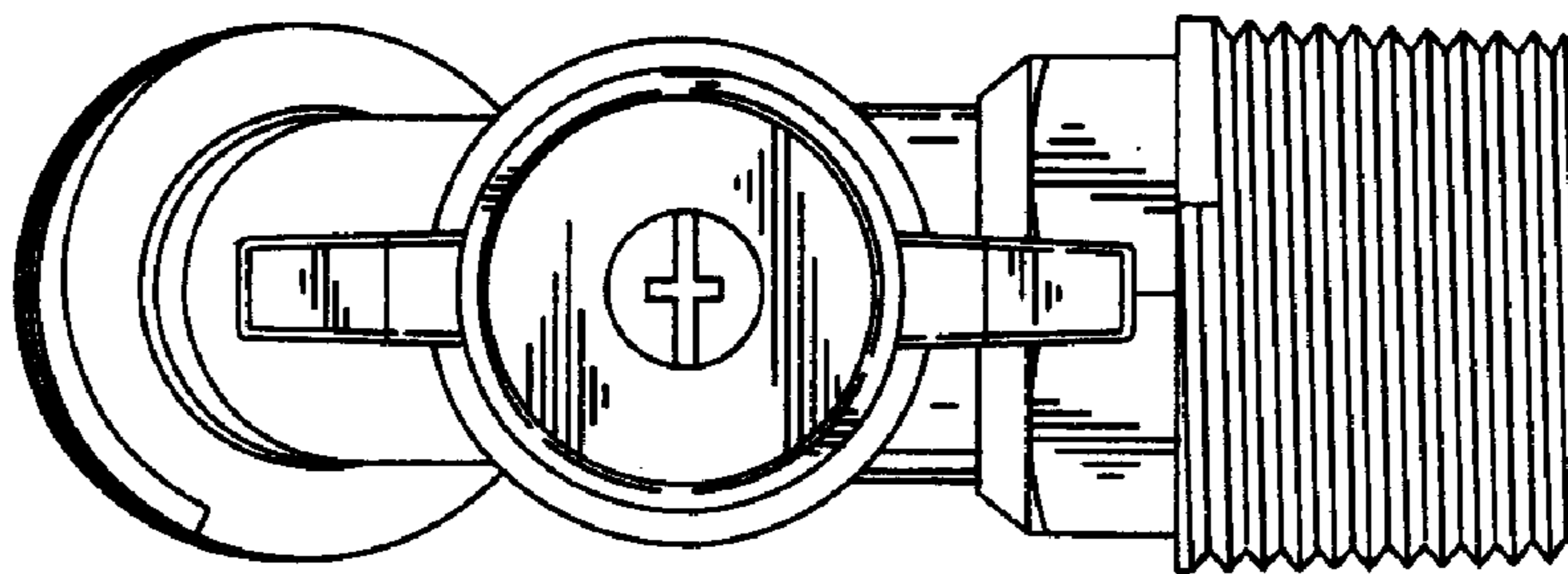


Figure 12

