



US00D516677S

(12) **United States Design Patent**
Haug et al.

(10) **Patent No.: US D516,677 S**
(45) **Date of Patent: ** Mar. 7, 2006**

(54) **FAUCET ASSEMBLY**

(75) Inventors: **Andreas Haug**, Stuttgart (DE); **Tom Schonherr**, Stuttgart (DE); **Andreas Dimitriadis**, Lorch (DE); **Peter Kolin**, Schwabisch Gmund (DE)

(73) Assignee: **Hansgrohe AG** (DE)

(**) Term: **14 Years**

(21) Appl. No.: **29/207,582**

(22) Filed: **Jun. 16, 2004**

(30) **Foreign Application Priority Data**

Dec. 19, 2003 (EM) 000118997

(51) **LOC (8) Cl.** **23-01**

(52) **U.S. Cl.** **D23/242; D23/243**

(58) **Field of Classification Search** **D23/238-257;**
4/675-678; 137/801

See application file for complete search history.

(56) **References Cited**

U.S. PATENT DOCUMENTS

D300,942 S * 5/1989 Paul D23/242

D311,438 S * 10/1990 Strignano D23/242
D350,183 S * 8/1994 Joerger D23/242
D465,557 S * 11/2002 Antonello et al. D23/242
D487,133 S * 2/2004 Haug et al. D23/238

* cited by examiner

Primary Examiner—Louis S. Zarfes

Assistant Examiner—Gregory Andoll

(74) *Attorney, Agent, or Firm*—Kwadjo Adusei-Poku;
Lloyd D. Doigan

(57) **CLAIM**

The ornamental design for a faucet assembly, as shown and described.

DESCRIPTION

FIG. 1 is a front perspective view of a faucet assembly showing our new design;

FIG. 2 is a front elevational view thereof;

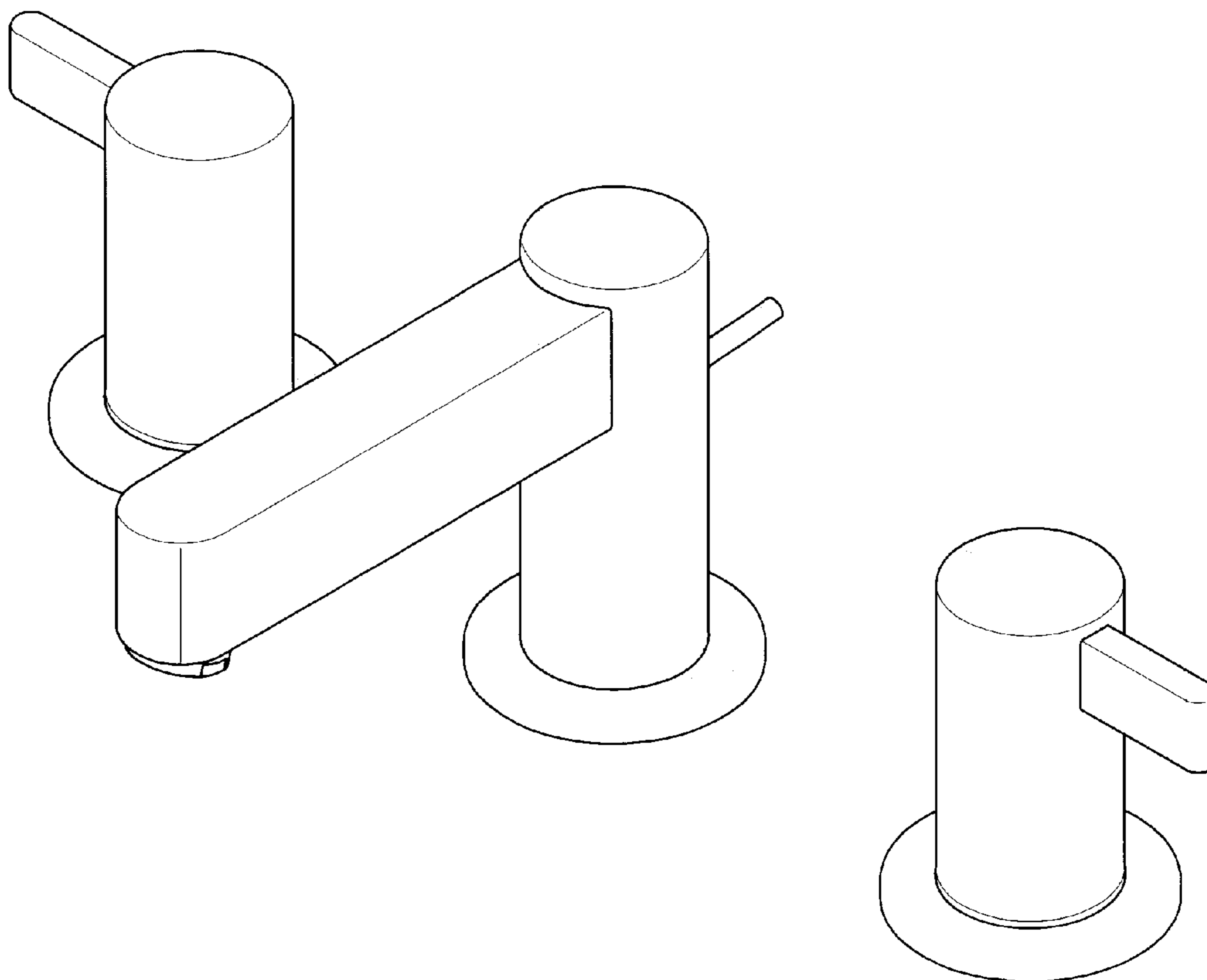
FIG. 3 is a top plan view thereof;

FIG. 4 is a rear elevational view thereof;

FIG. 5 is a right side elevational view thereof; and,

FIG. 6 is a left side elevational view thereof.

1 Claim, 5 Drawing Sheets



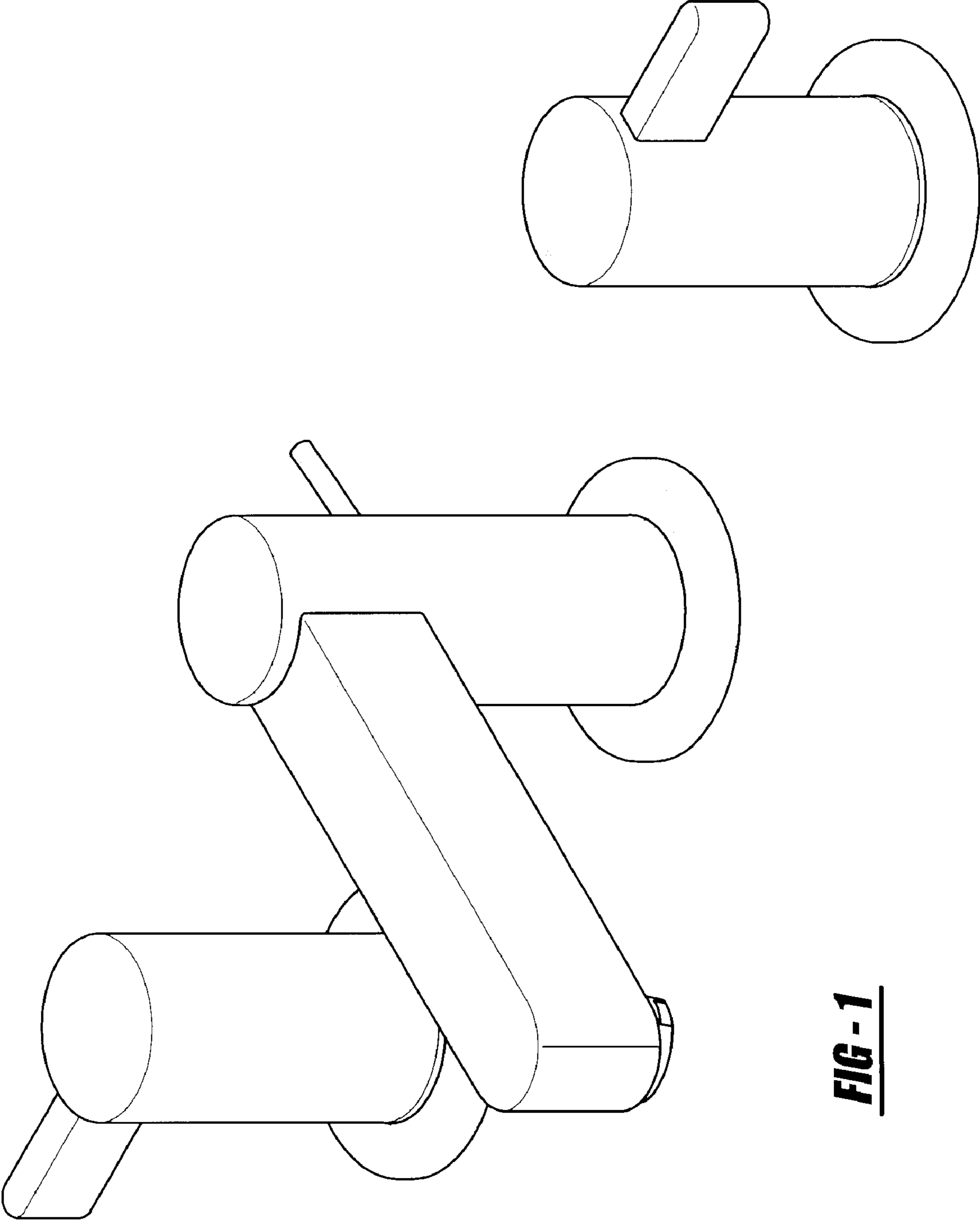


FIG - 1

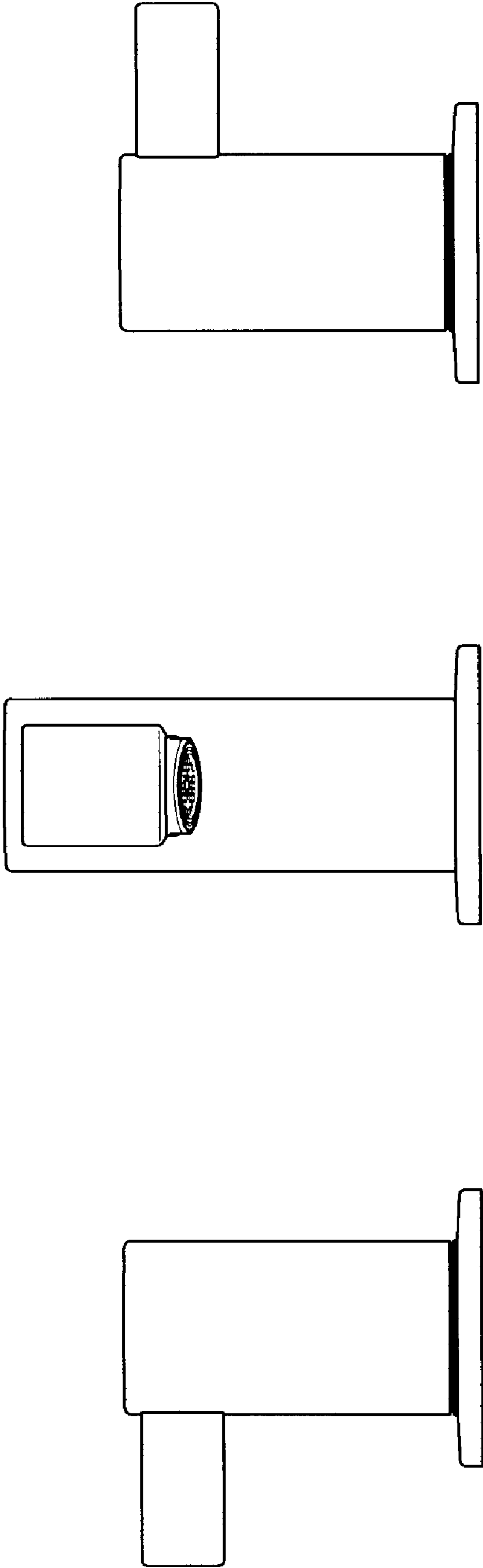


FIG - 2

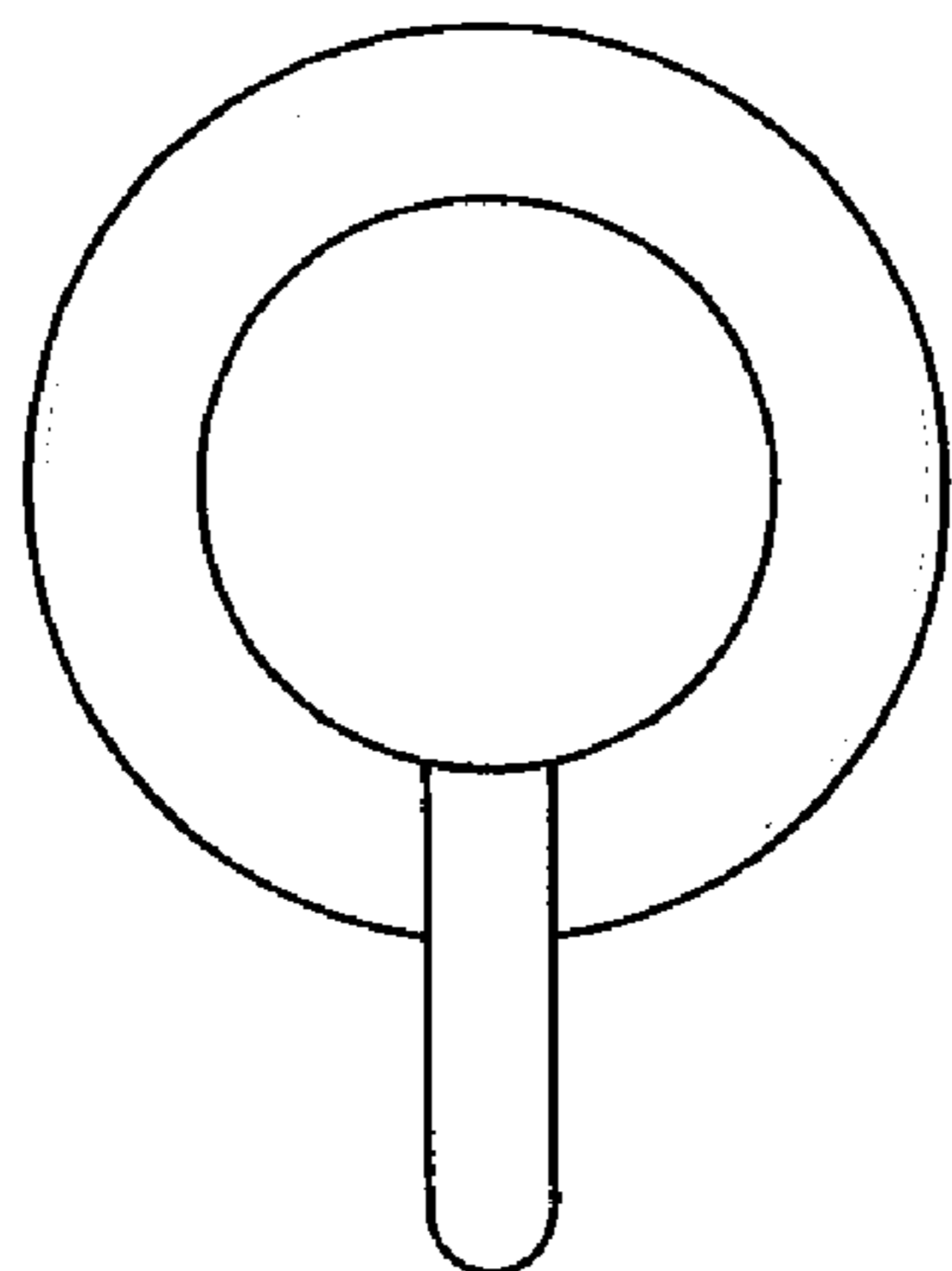
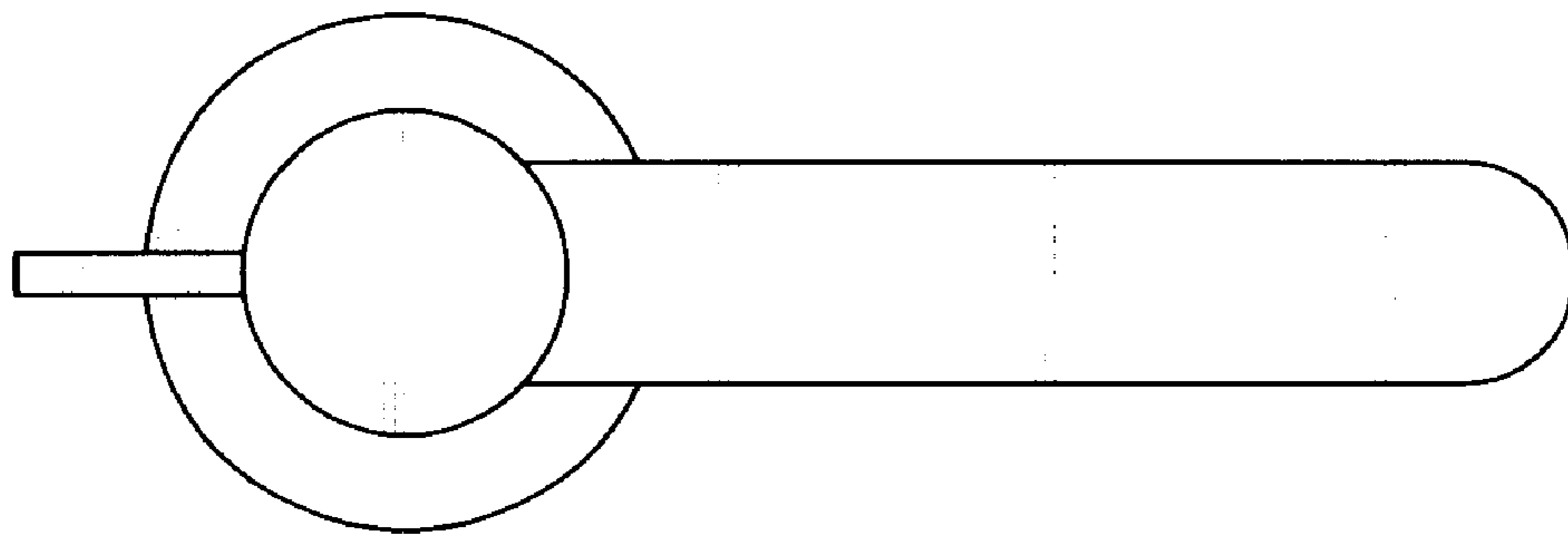
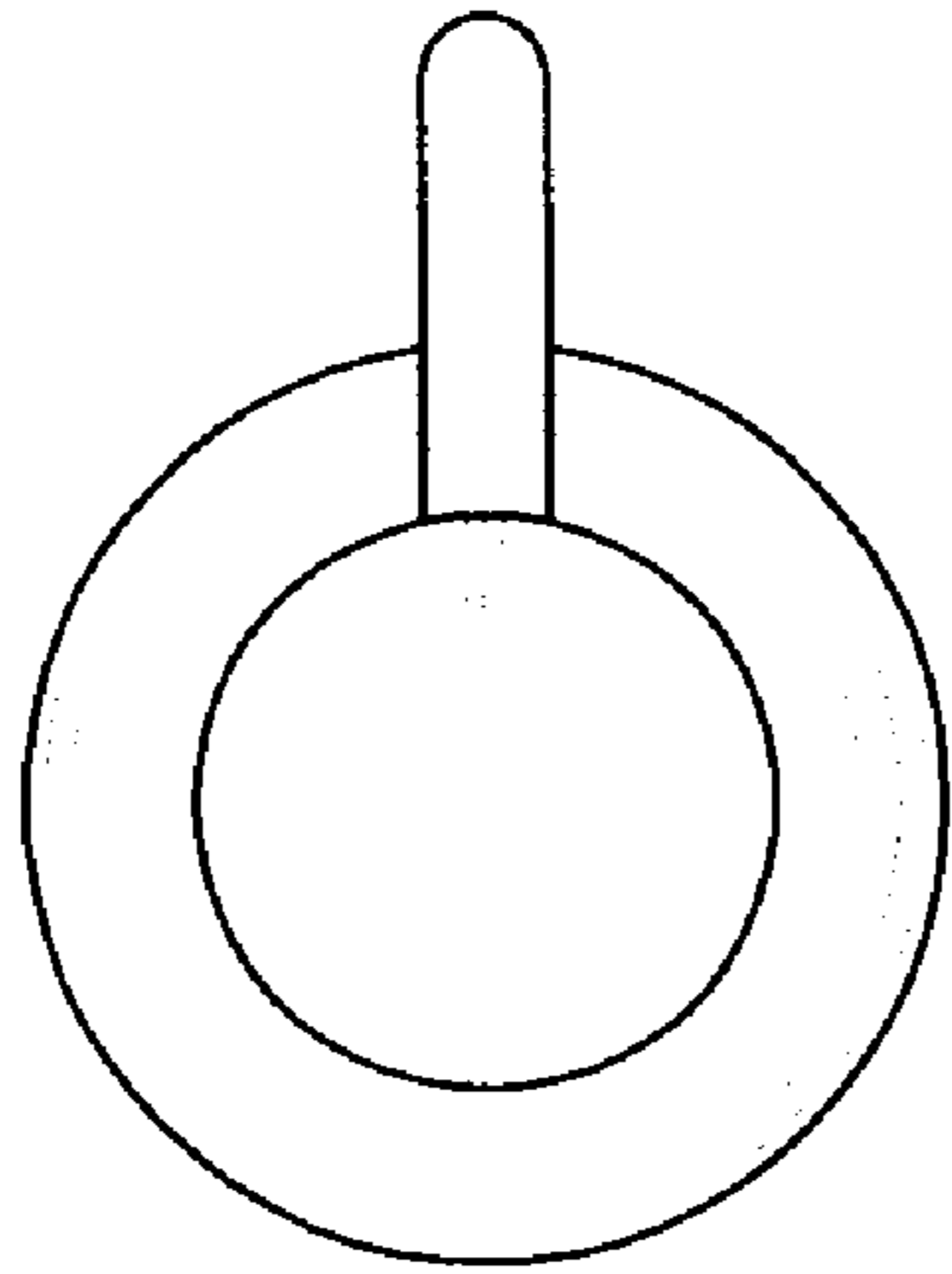


FIG - 3

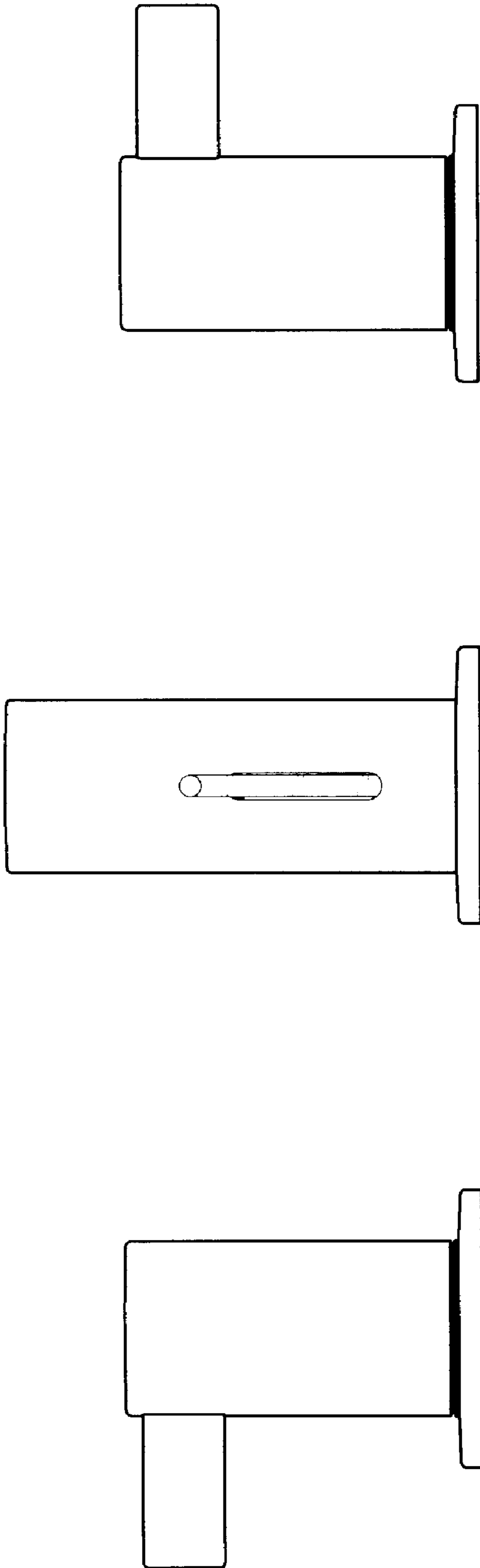


FIG - 4

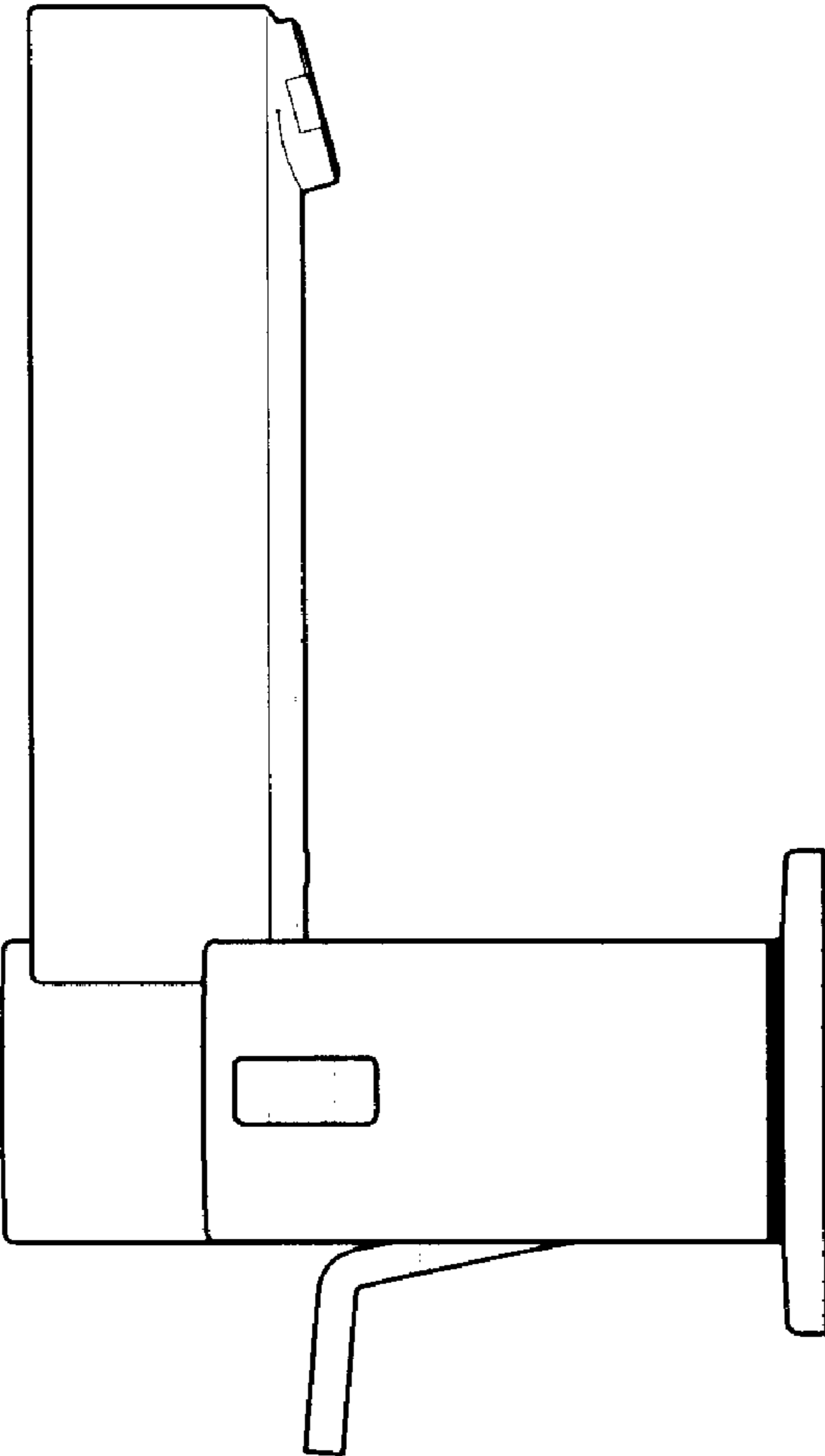


FIG - 5

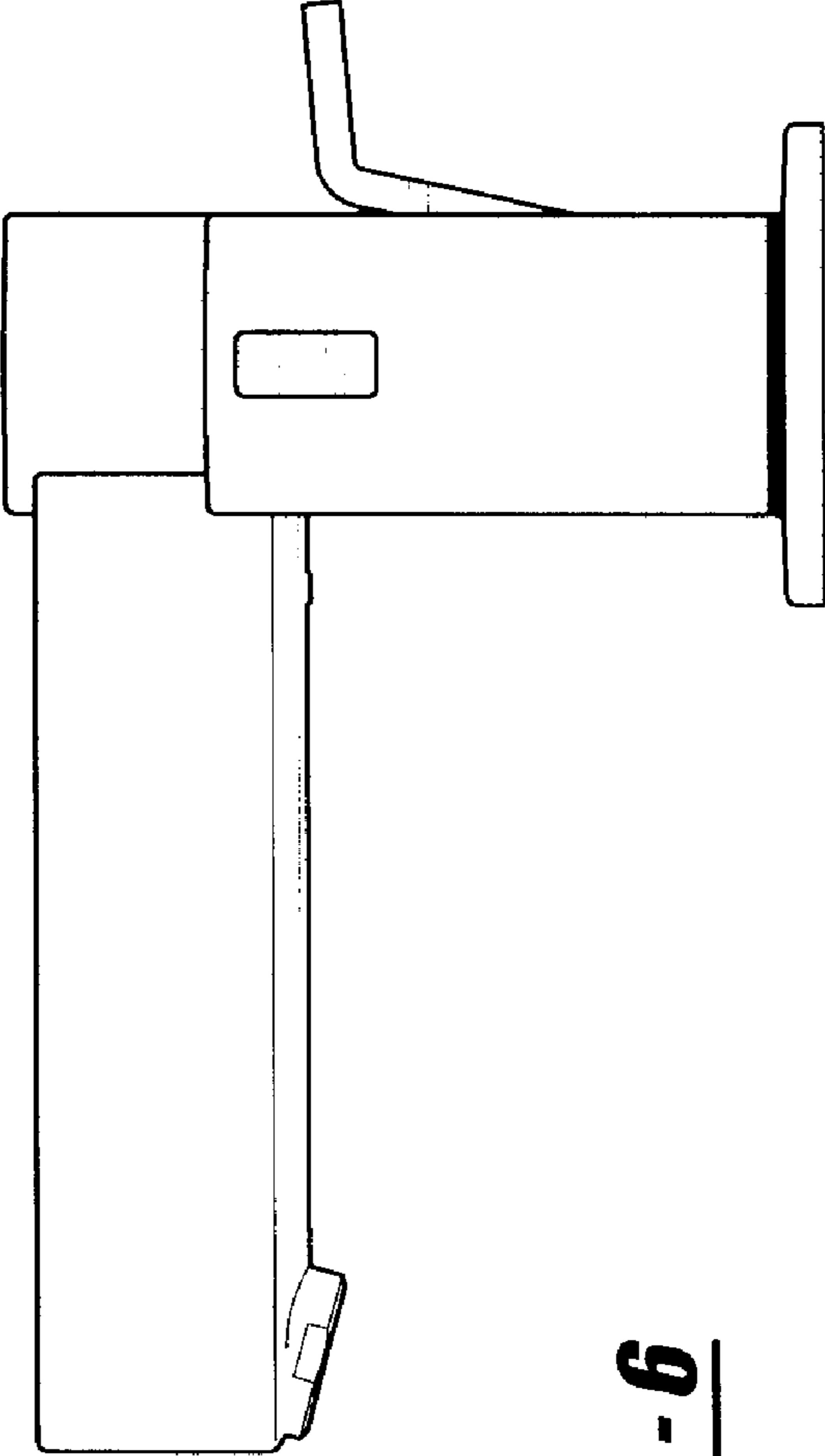


FIG - 6