



US00D516675S

(12) **United States Design Patent**  
**Kakihana**

(10) **Patent No.:** **US D516,675 S**

(45) **Date of Patent:** **\*\* Mar. 7, 2006**

(54) **FAUCET AND HANDLE SET**

(75) **Inventor:** **Hajime Kakihana, Kitakyushu (JP)**

(73) **Assignee:** **Toto Ltd., Kitakyushu (JP)**

(\*\*) **Term:** **14 Years**

(21) **Appl. No.:** **29/214,116**

(22) **Filed:** **Sep. 29, 2004**

(51) **LOC (8) Cl.** ..... **23-01**

(52) **U.S. Cl.** ..... **D23/241; D23/247**

(58) **Field of Classification Search** ..... **D23/238-257;**  
**4/675-678; 137/801**

See application file for complete search history.

(56) **References Cited**

**U.S. PATENT DOCUMENTS**

D285,597 S \* 9/1986 Miller et al. .... D23/242

D465,559 S \* 11/2002 Chen ..... D23/242

D496,434 S \* 9/2004 Spangler ..... D23/252

\* cited by examiner

*Primary Examiner*—Louis S. Zarfes

*Assistant Examiner*—Gregory Andoll

(74) *Attorney, Agent, or Firm*—Birch, Stewart, Kolasch & Birch, LLP

(57) **CLAIM**

The ornamental design for a faucet and handle set, as shown and described.

**DESCRIPTION**

FIG. 1 is a perspective view of the top, front and right side of a faucet and handle set showing my new design;

FIG. 2 is a front view thereof;

FIG. 3 is a rear view thereof;

FIG. 4 is a right side view thereof;

FIG. 5 is a left side view thereof;

FIG. 6 is a top plan view thereof; and,

FIG. 7 is a bottom view thereof.

**1 Claim, 7 Drawing Sheets**

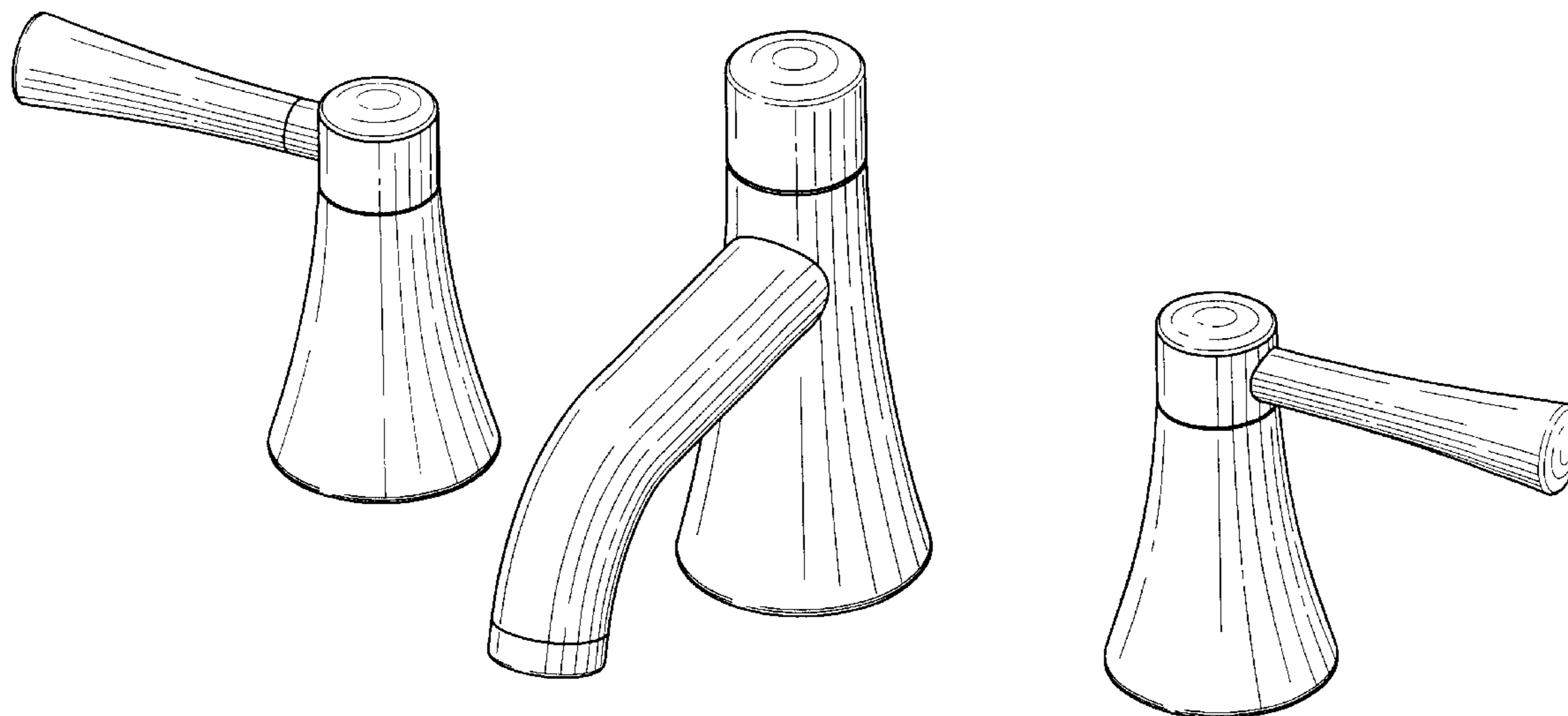


FIG. 1

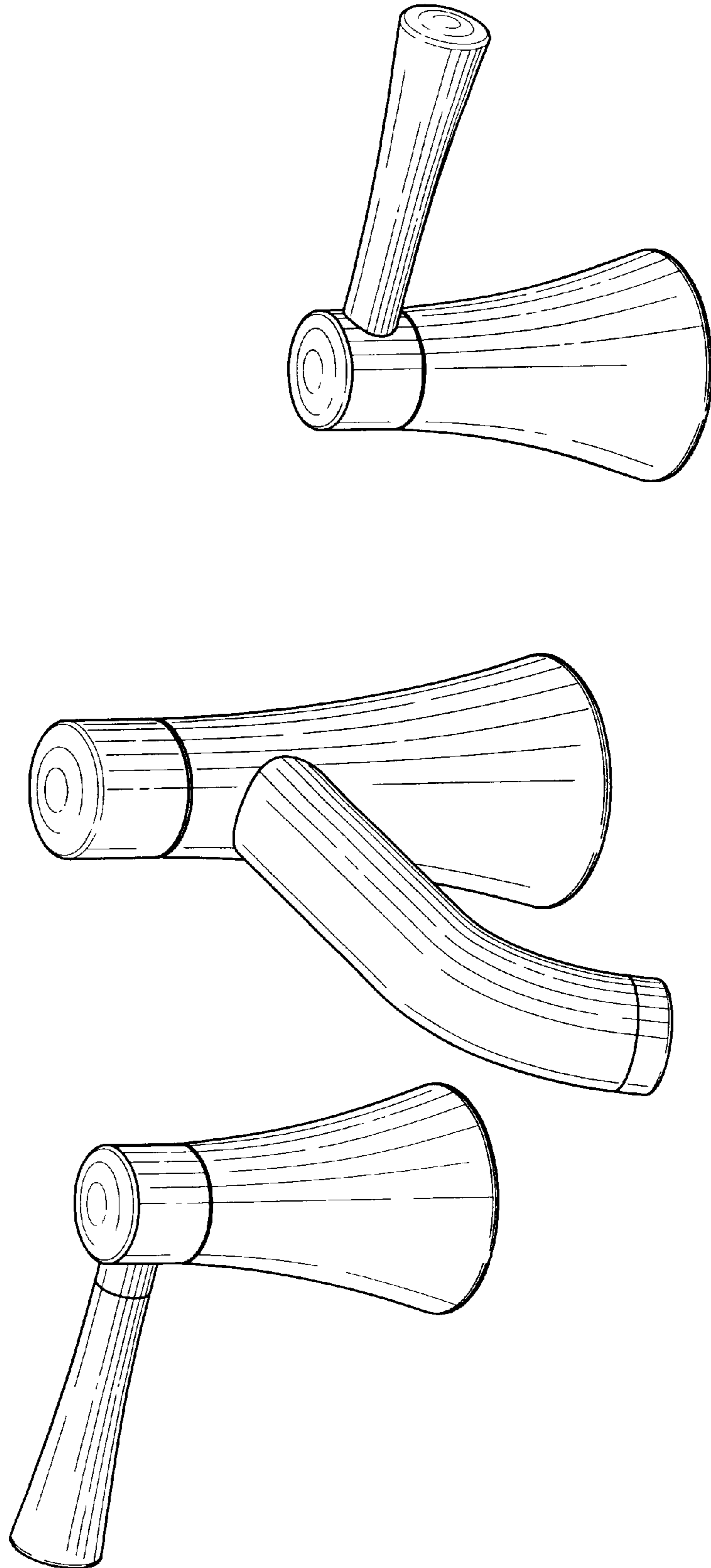


FIG. 2

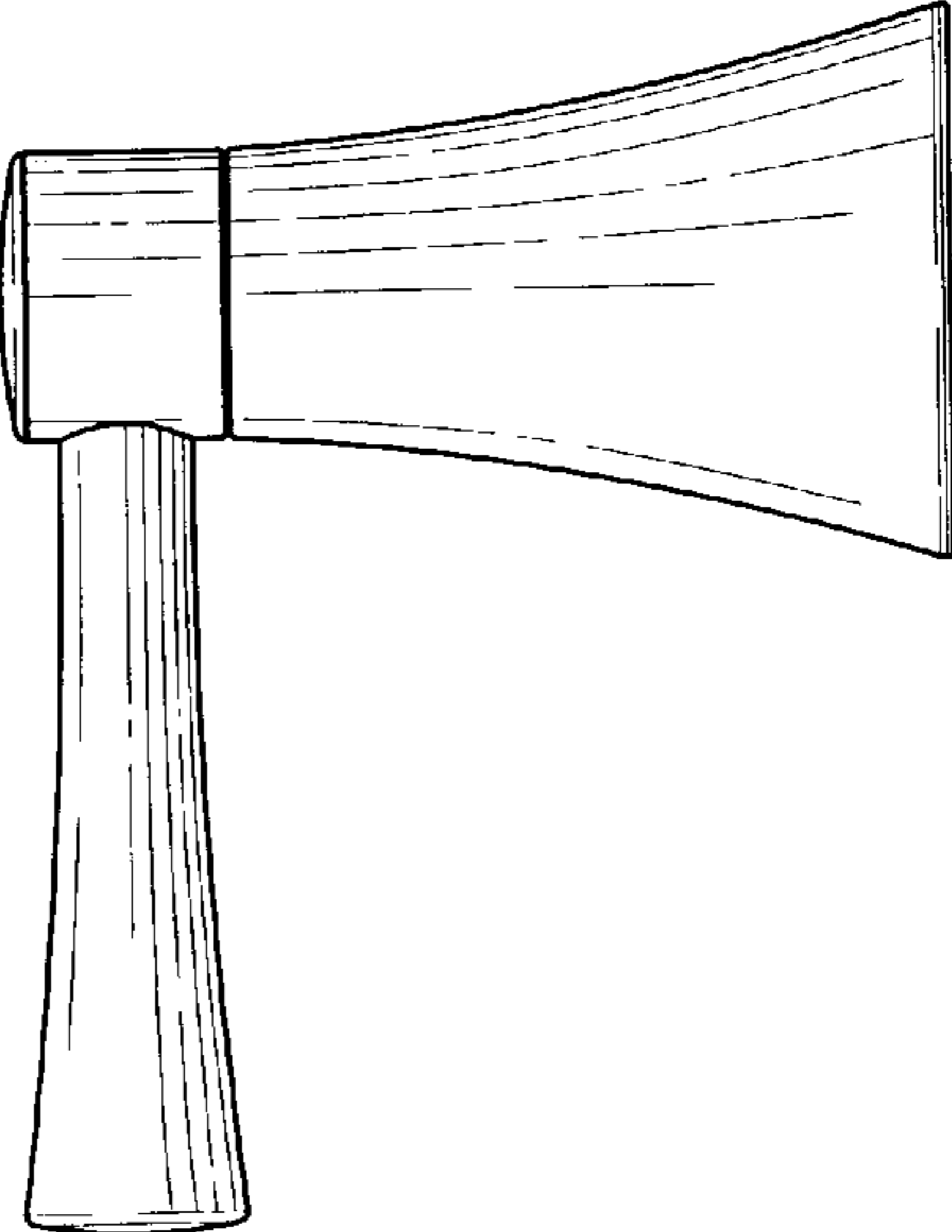
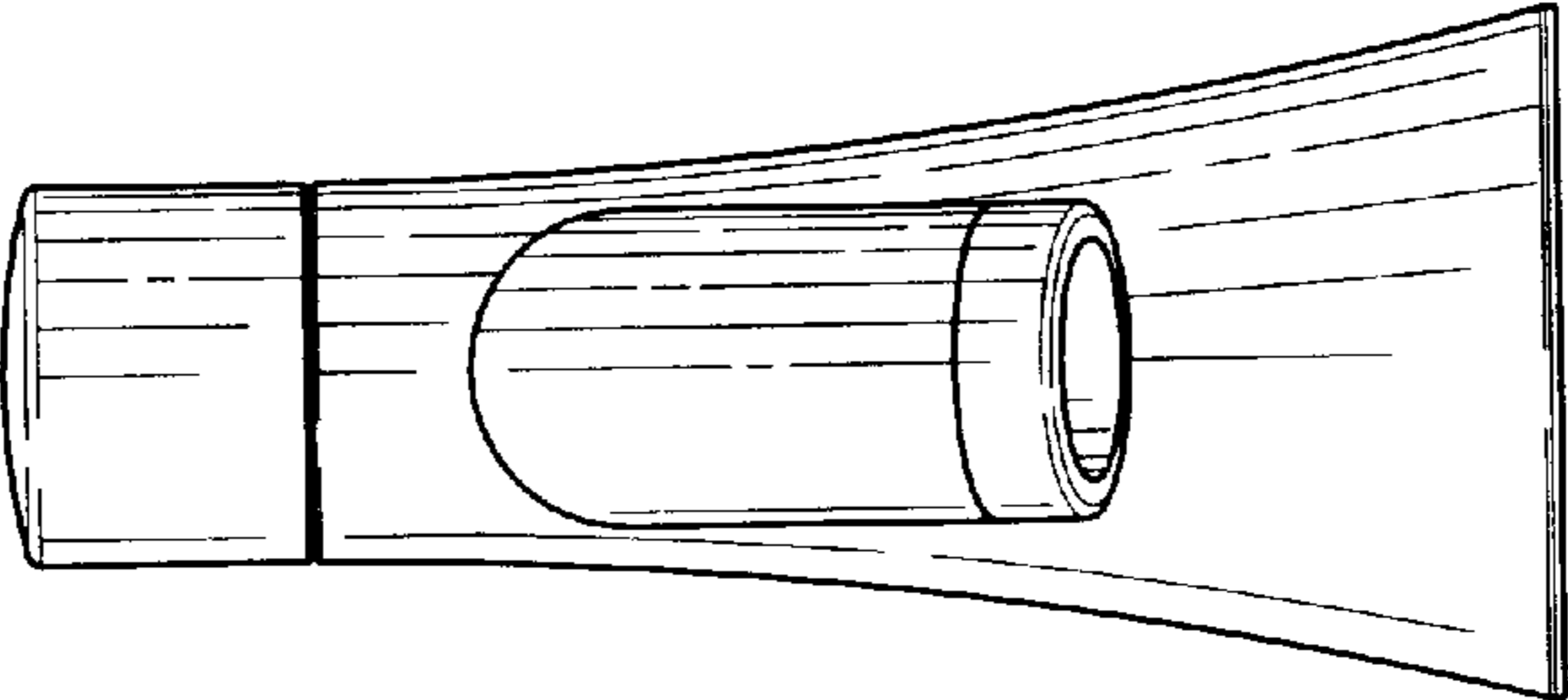
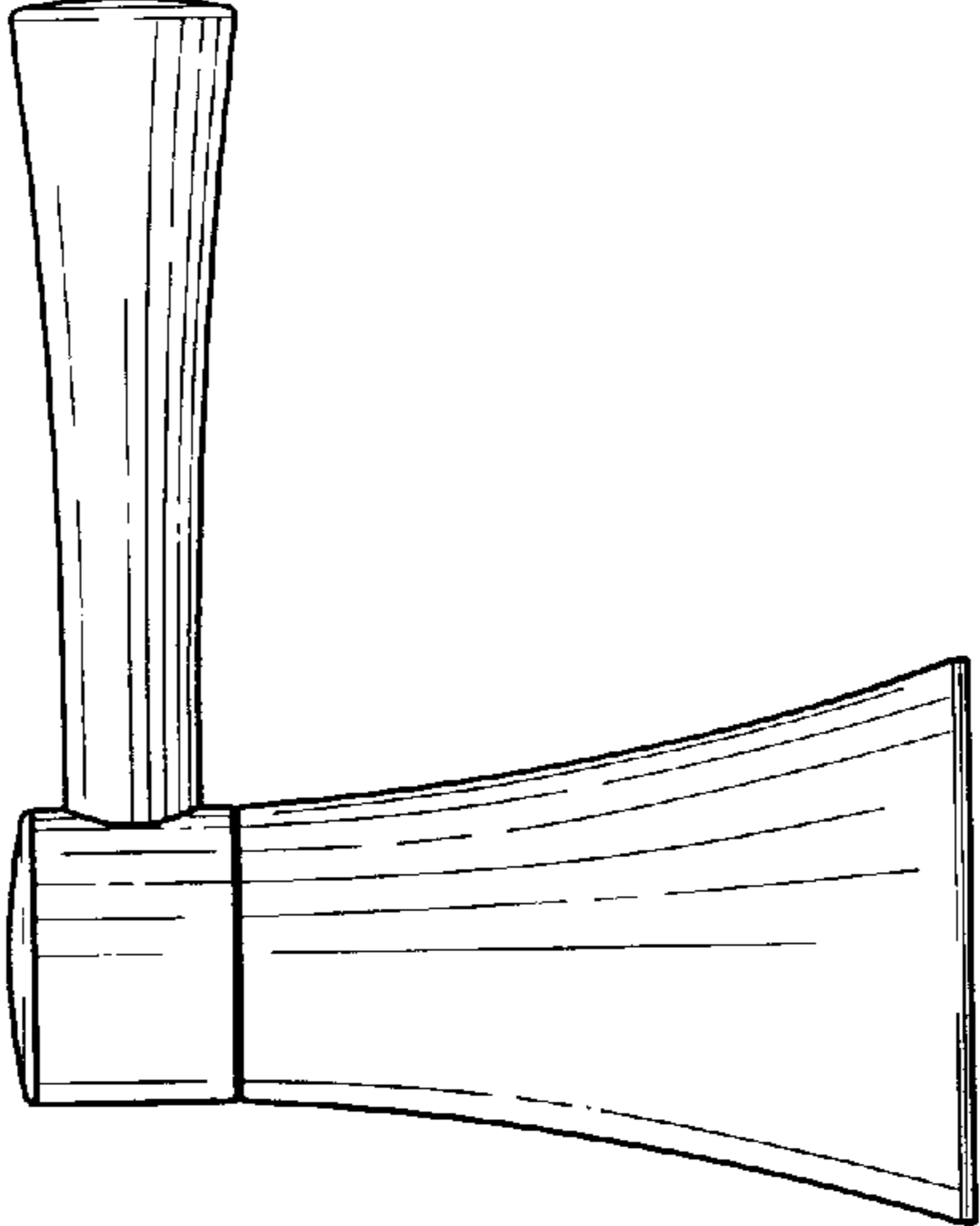
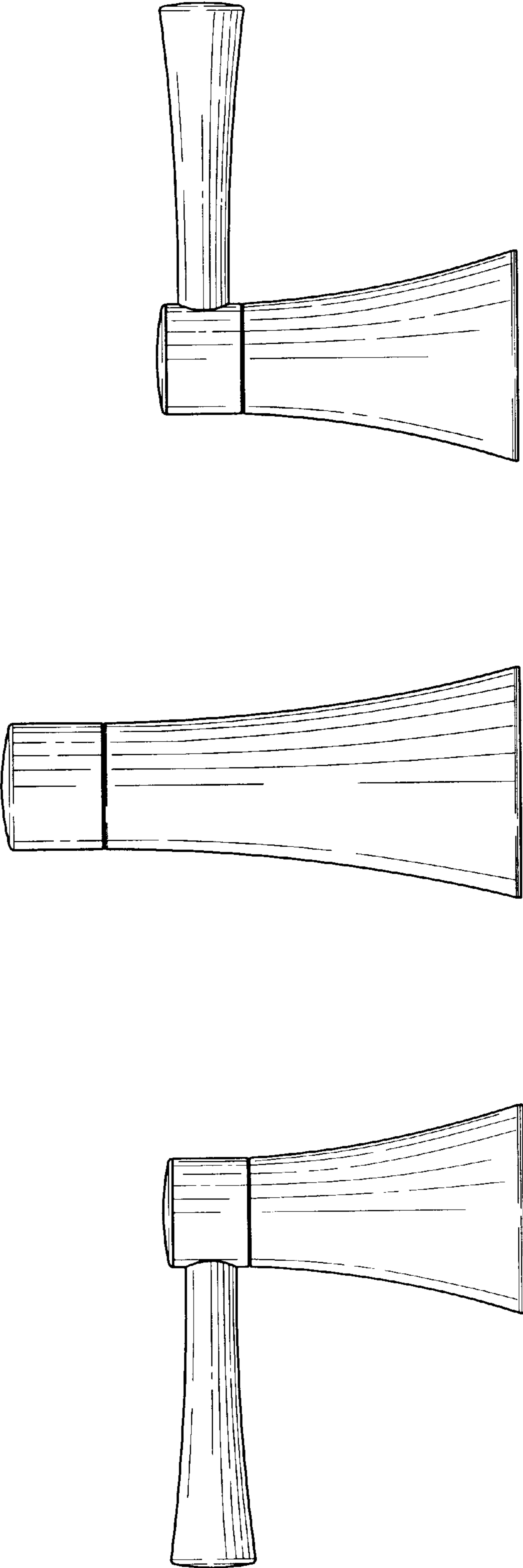
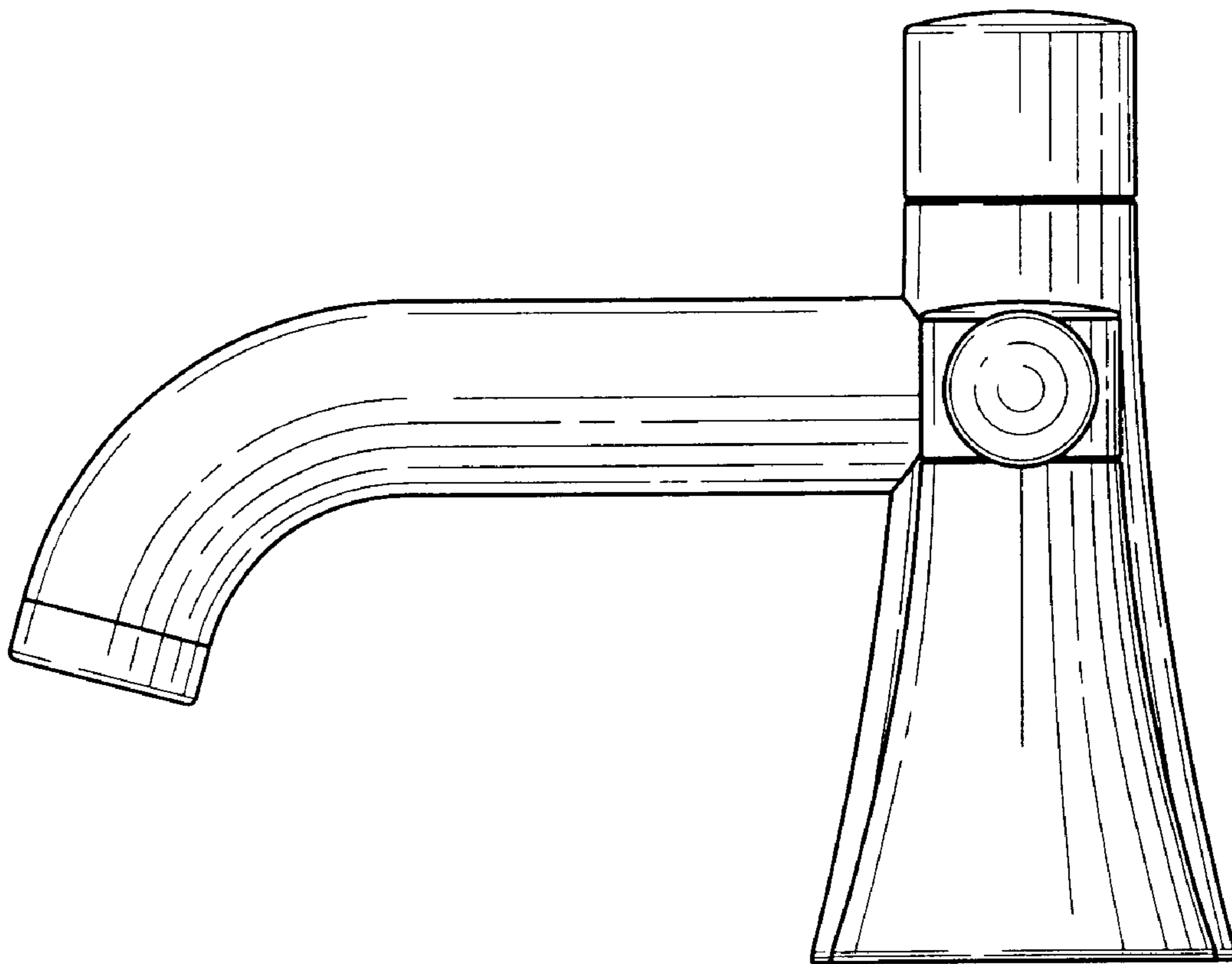


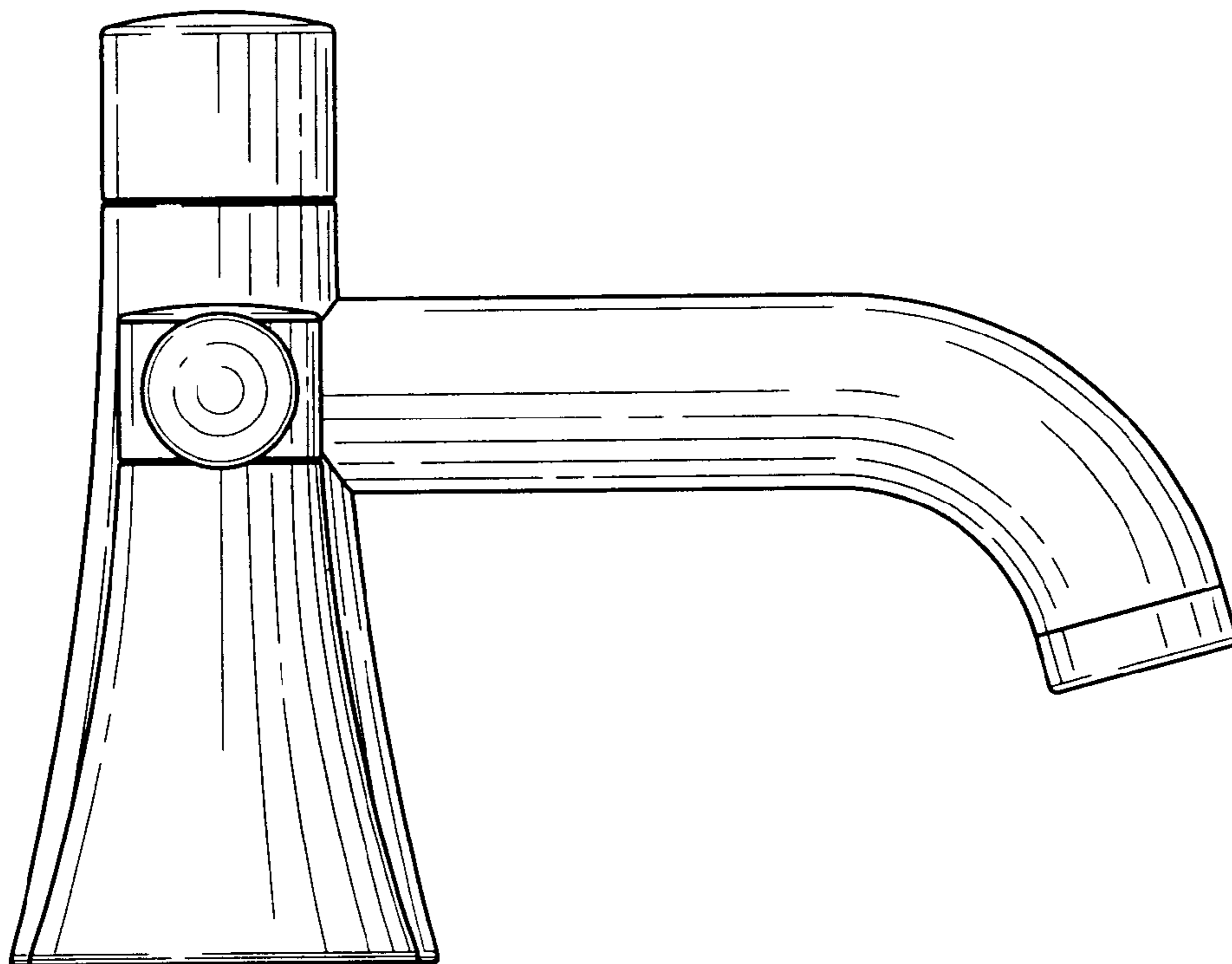
FIG. 3



*FIG. 4*



*FIG. 5*



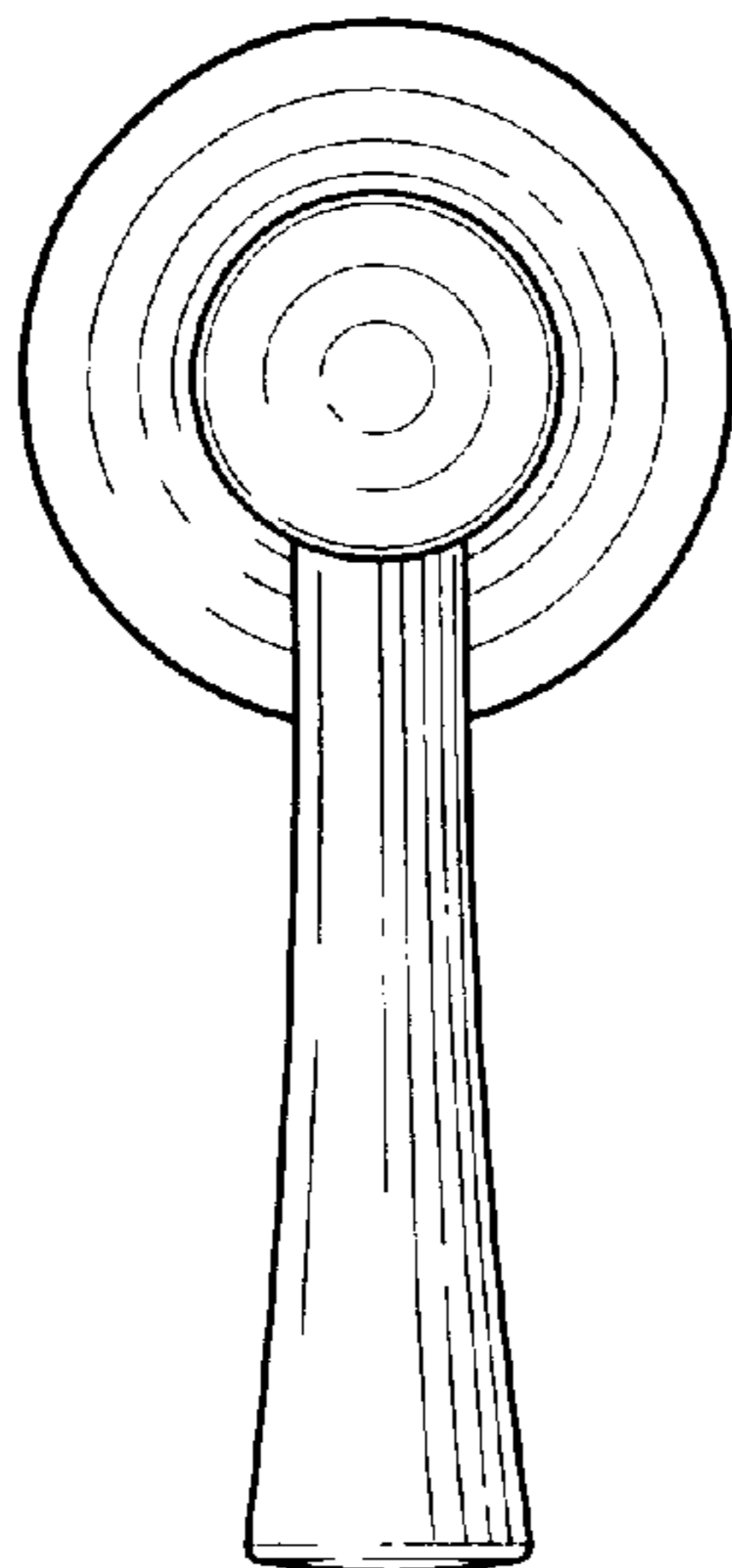
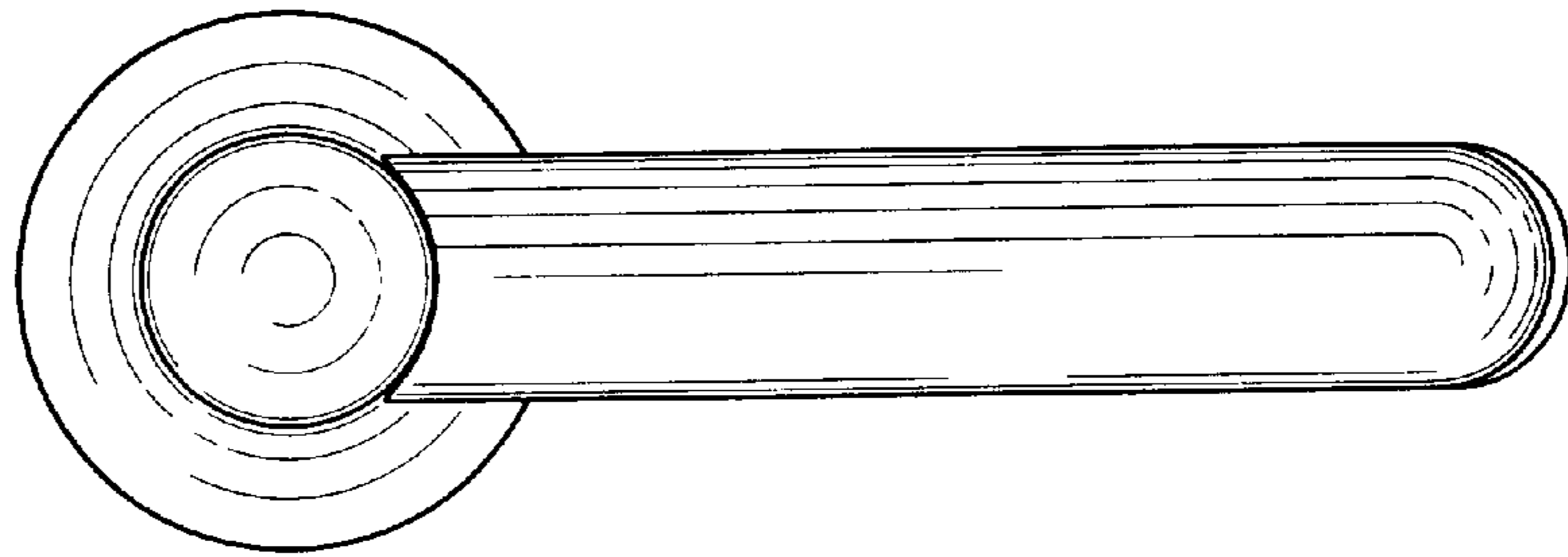
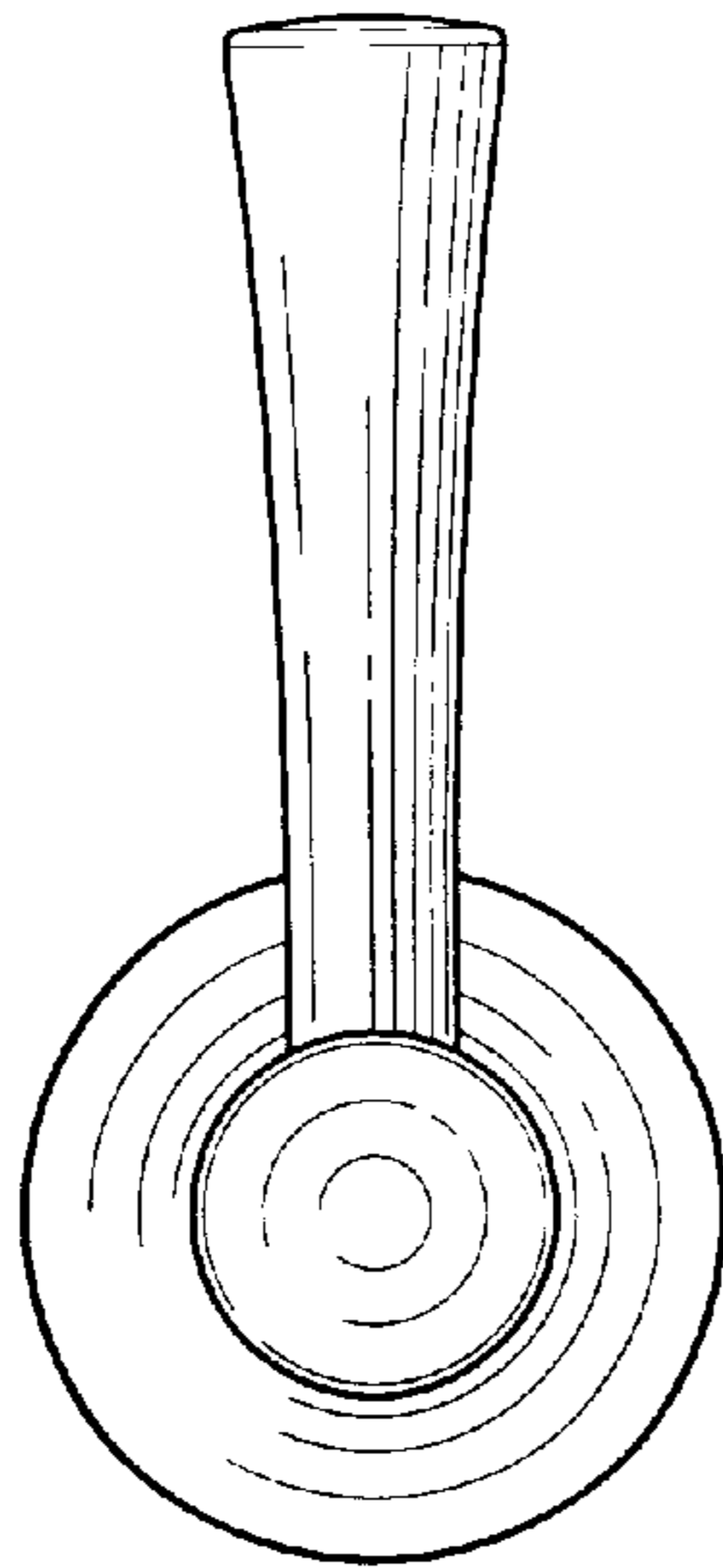


FIG. 6

FIG. 7

