



US00D516670S

(12) **United States Design Patent**
Aselton

(10) **Patent No.:** **US D516,670 S**

(45) **Date of Patent:** **** Mar. 7, 2006**

(54) **SPRINKLER HEAD PROTECTOR**
(76) **Inventor: Ronald K. Aselton**, 1976 White Feather
La., Nokomis, FL (US) 34275
(**) **Term: 14 Years**

D410,731 S * 6/1999 Bowman et al. D23/227
5,918,814 A 7/1999 Hough 239/288
D421,806 S * 3/2000 Graf et al. D25/113
D457,942 S 5/2002 Bouras D23/249
6,543,704 B1 4/2003 Stephens 239/201

* cited by examiner

(21) **Appl. No.:** **29/214,183**
(22) **Filed:** **Sep. 29, 2004**

Primary Examiner—Robin Webster
(74) *Attorney, Agent, or Firm*—Gifford, Krass, Groh,
Sprinkle, Anderson, & Citkowski, P.C.

(51) **LOC (8) Cl.** **23-01**
(52) **U.S. Cl.** **D23/214; D23/227**
(58) **Field of Classification Search** D23/214,
D23/227; 239/288, 288.5; D21/504, 505
See application file for complete search history.

(57) **CLAIM**

The ornamental design for a sprinkler head protector, as shown and described.

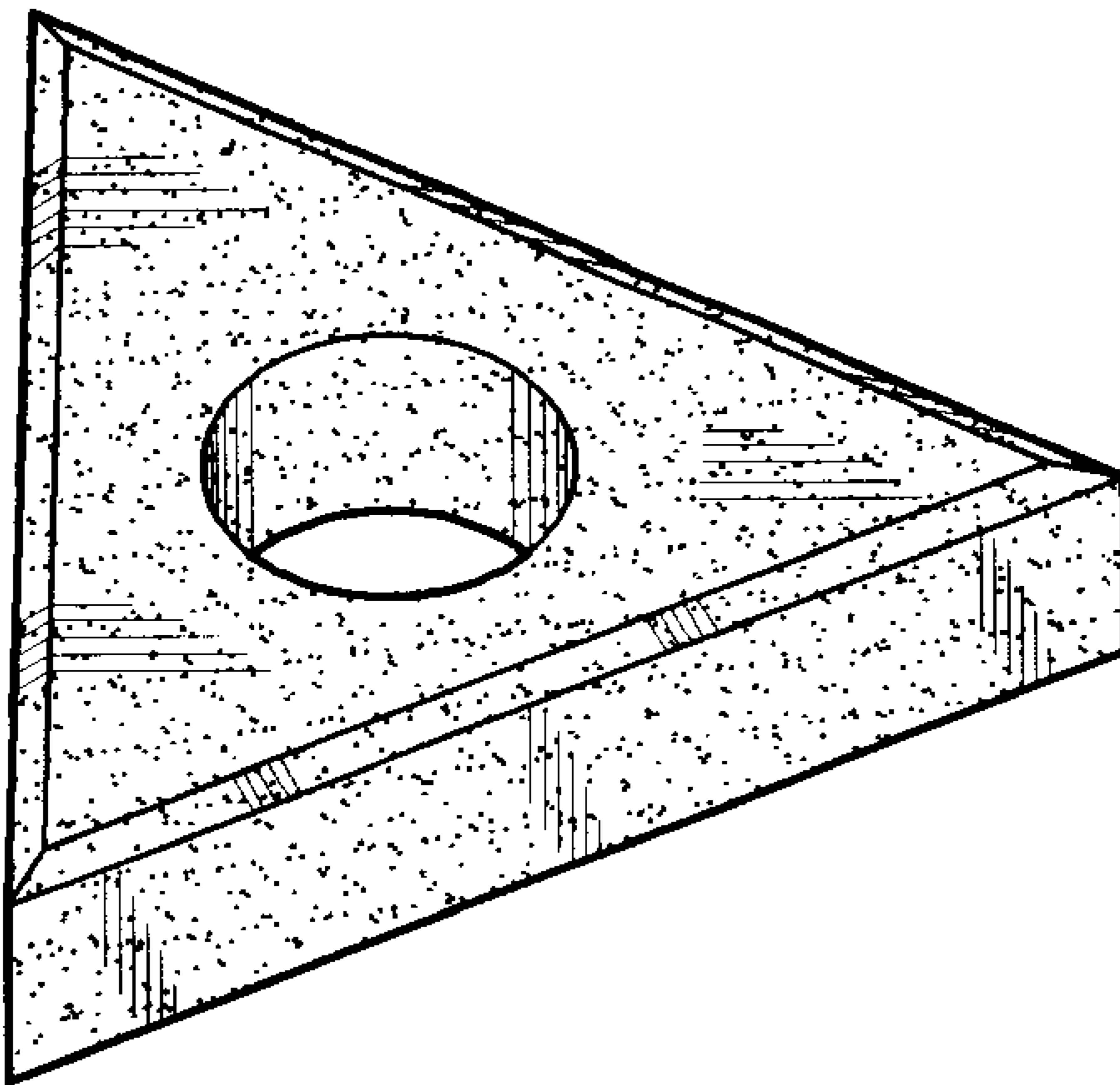
DESCRIPTION

(56) **References Cited**
U.S. PATENT DOCUMENTS

FIG. 1 is a perspective view of the sprinkler head protector of my present design;
FIG. 2 is a top view of the design shown in FIG. 1;
FIG. 3 is a side elevational view of the design of my present invention as seen from the bottom of FIG. 2; and,
FIG. 4 is a bottom elevational view of the design of my present invention as seen from the bottom of FIG. 3.

3,018,057 A * 1/1962 Anderson 239/201
4,146,181 A 3/1979 Soos 239/288.5
5,037,030 A * 8/1991 Apodaca 239/288
D333,507 S 2/1993 Colo'n D23/213
5,211,338 A * 5/1993 Leite et al. 239/276
D347,259 S 5/1994 Fewell et al. D23/214

1 Claim, 1 Drawing Sheet



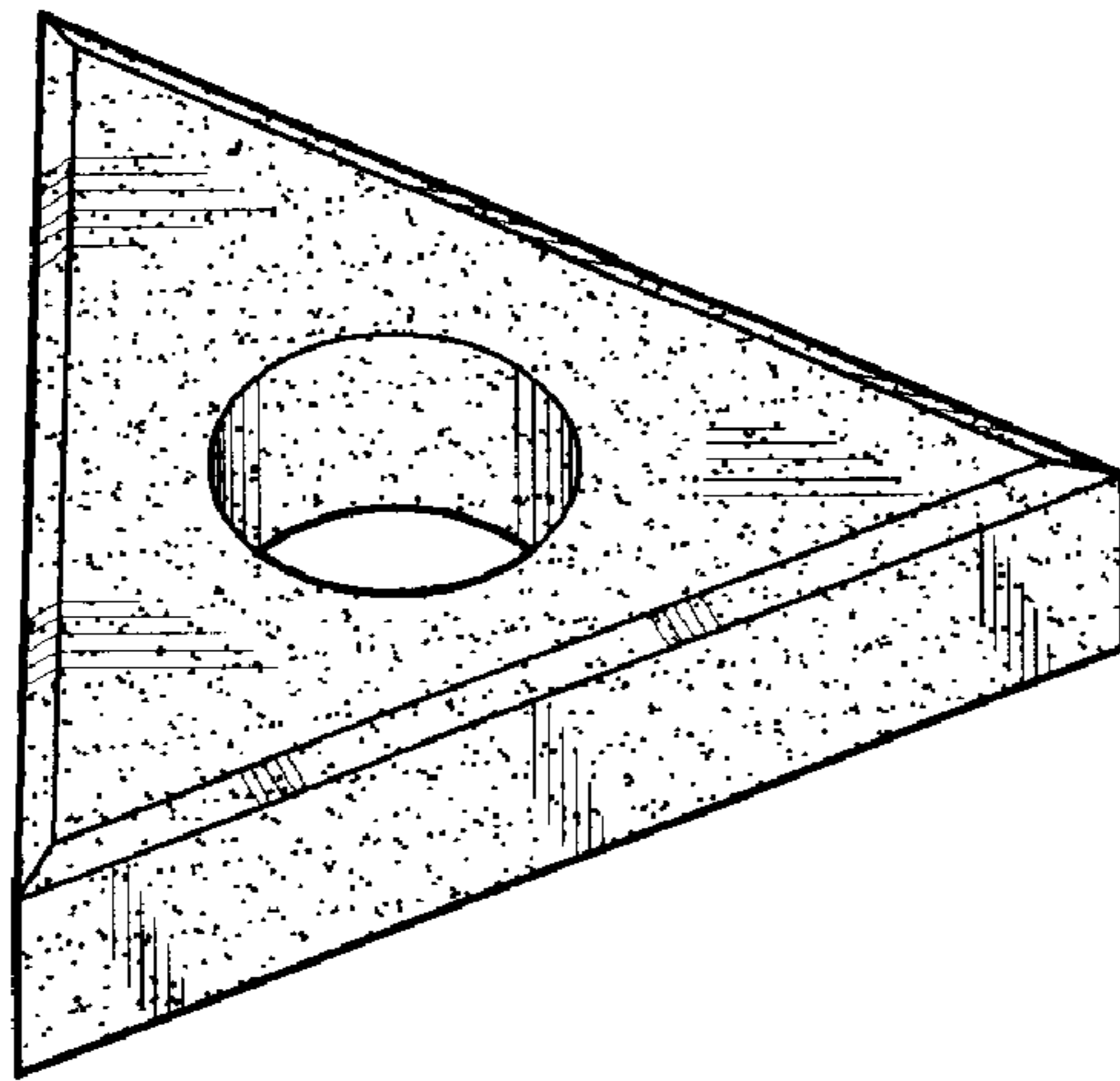


Fig-1

Fig-2

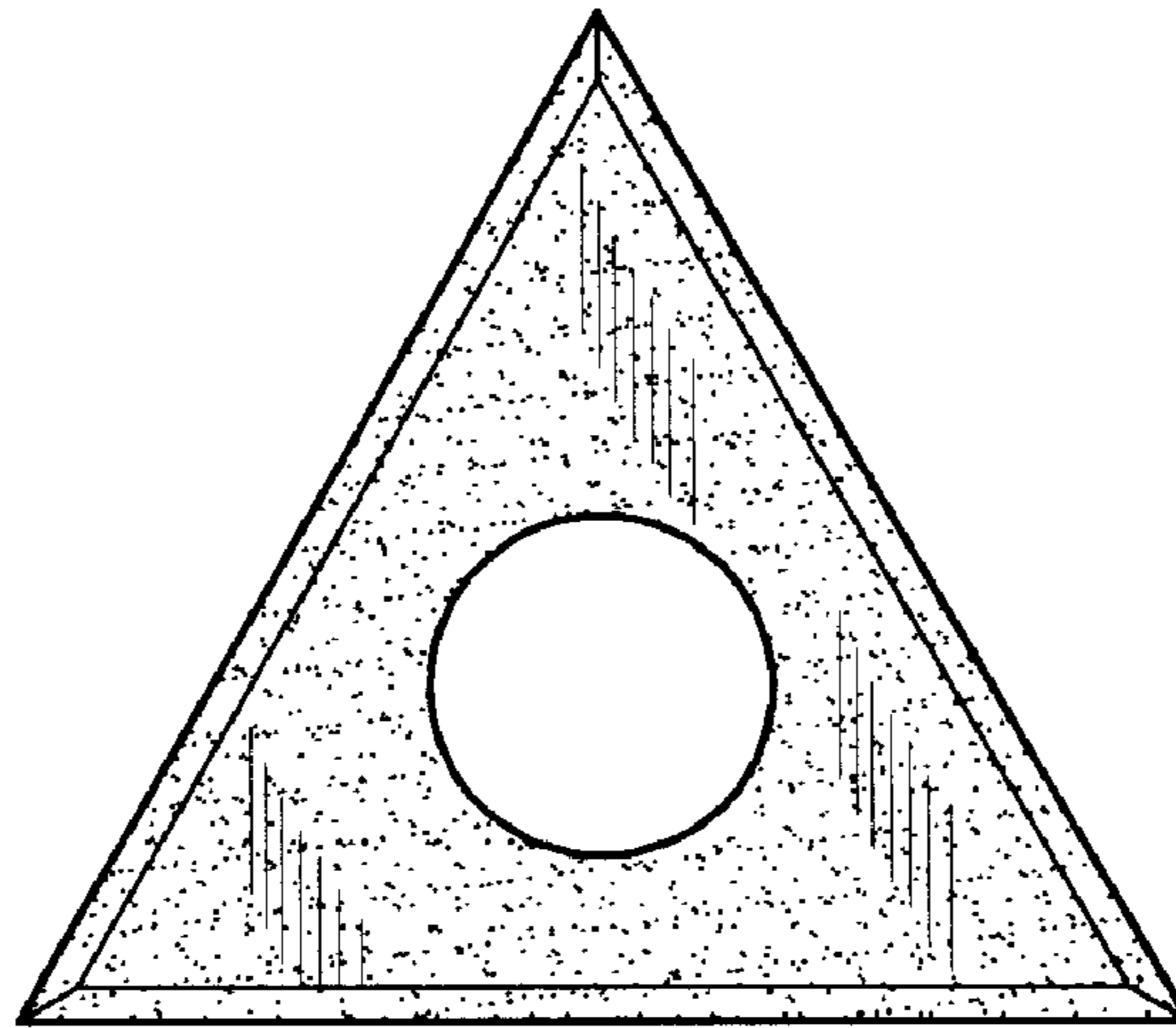


Fig-3

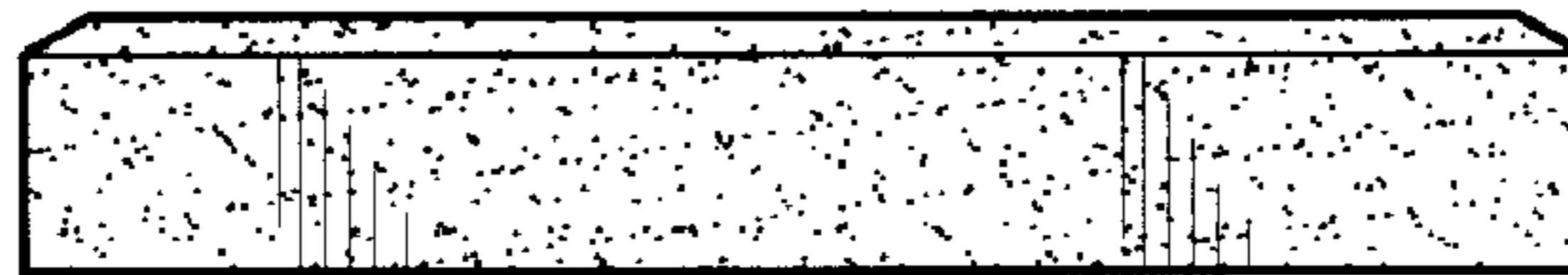


Fig-4

