

US00D516669S

(12) **United States Design Patent** (10) **Patent No.:** **US D516,669 S**
Antonucci et al. (45) **Date of Patent:** **** Mar. 7, 2006**

(54) **SPRINKLER**

(75) Inventors: **Thomas A. Antonucci**, Azusa, CA (US); **Brian W. Lees**, Mountain View, CA (US); **Valery A. Monge**, Anaheim Hills, CA (US); **Kelly F. Olishefski**, Trabuco Canyon, CA (US); **Michael F. Turk**, Los Angeles, CA (US); **Keith E. Turner**, San Dimas, CA (US); **Richard J. Russell, II**, Tujunga, CA (US)

(73) Assignee: **Rain Bird Corporation**, Glendora, CA (US)

(**) Term: **14 Years**

(21) Appl. No.: **29/206,857**

(22) Filed: **Jun. 4, 2004**

(51) **LOC (8) Cl.** **23-01**
 (52) **U.S. Cl.** **D23/214**
 (58) **Field of Classification Search** D23/213, D23/214, 217, 218; 239/601, 200, DIG. 1
 See application file for complete search history.

(56) **References Cited**

U.S. PATENT DOCUMENTS

4,019,686 A * 4/1977 Palma 239/205
 D253,364 S * 11/1979 McFadden D23/214
 4,498,626 A 2/1985 Pitchford
 5,476,223 A 12/1995 Drechsel
 6,019,295 A * 2/2000 McKenzie 239/451

6,142,386 A 11/2000 Spenser
 6,193,169 B1 2/2001 Steinhilber et al.
 6,443,372 B1 * 9/2002 Hsu 239/457
 6,464,151 B1 * 10/2002 Cordua 239/457
 D466,585 S * 12/2002 Alkalay D23/214
 6,557,787 B2 * 5/2003 Swan 239/597
 6,899,285 B2 * 5/2005 Goettl et al. 239/200

* cited by examiner

Primary Examiner—Robin V. Webster
 (74) *Attorney, Agent, or Firm*—Fitch, Even, Tabin & Flannery

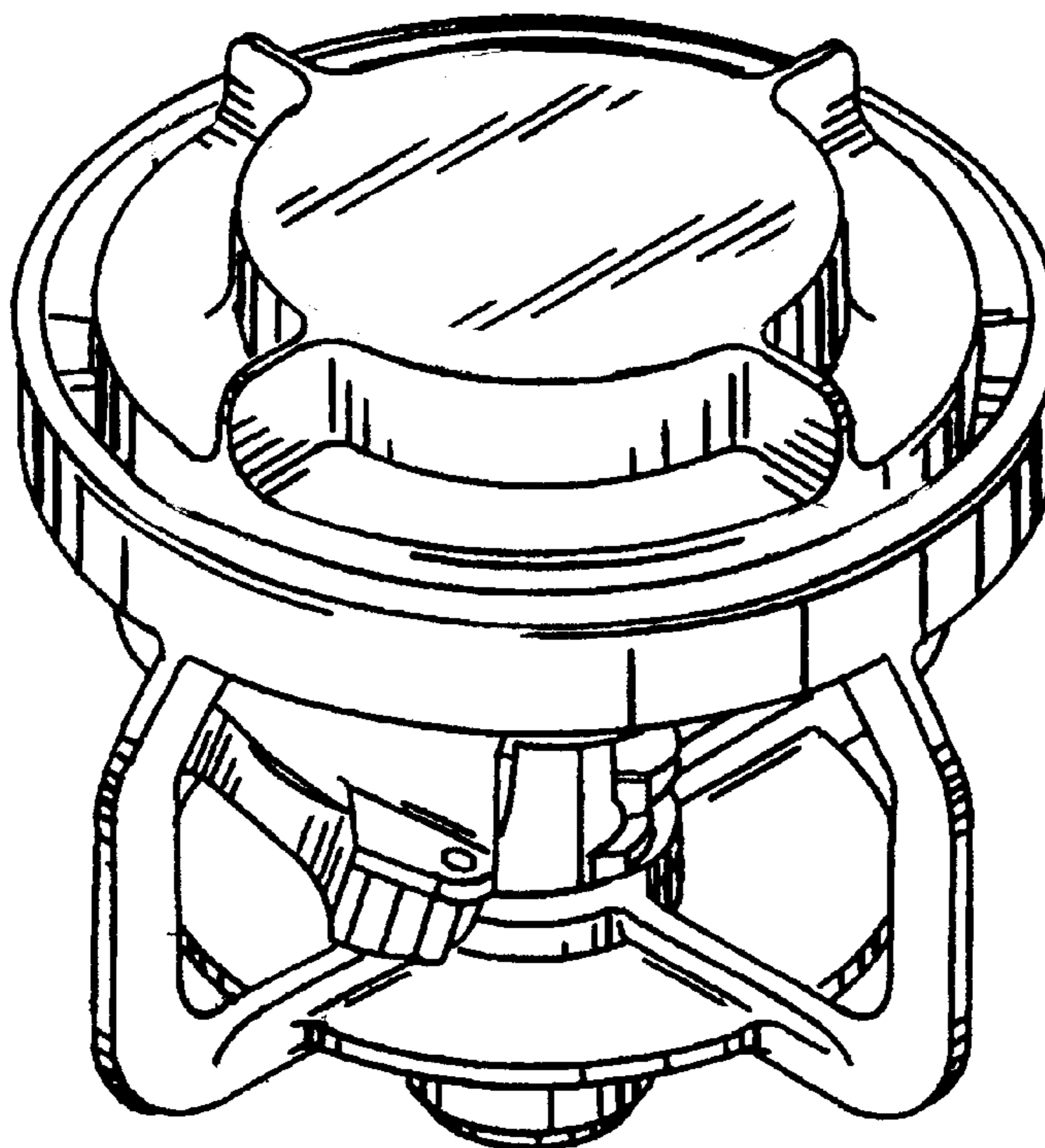
(57) **CLAIM**

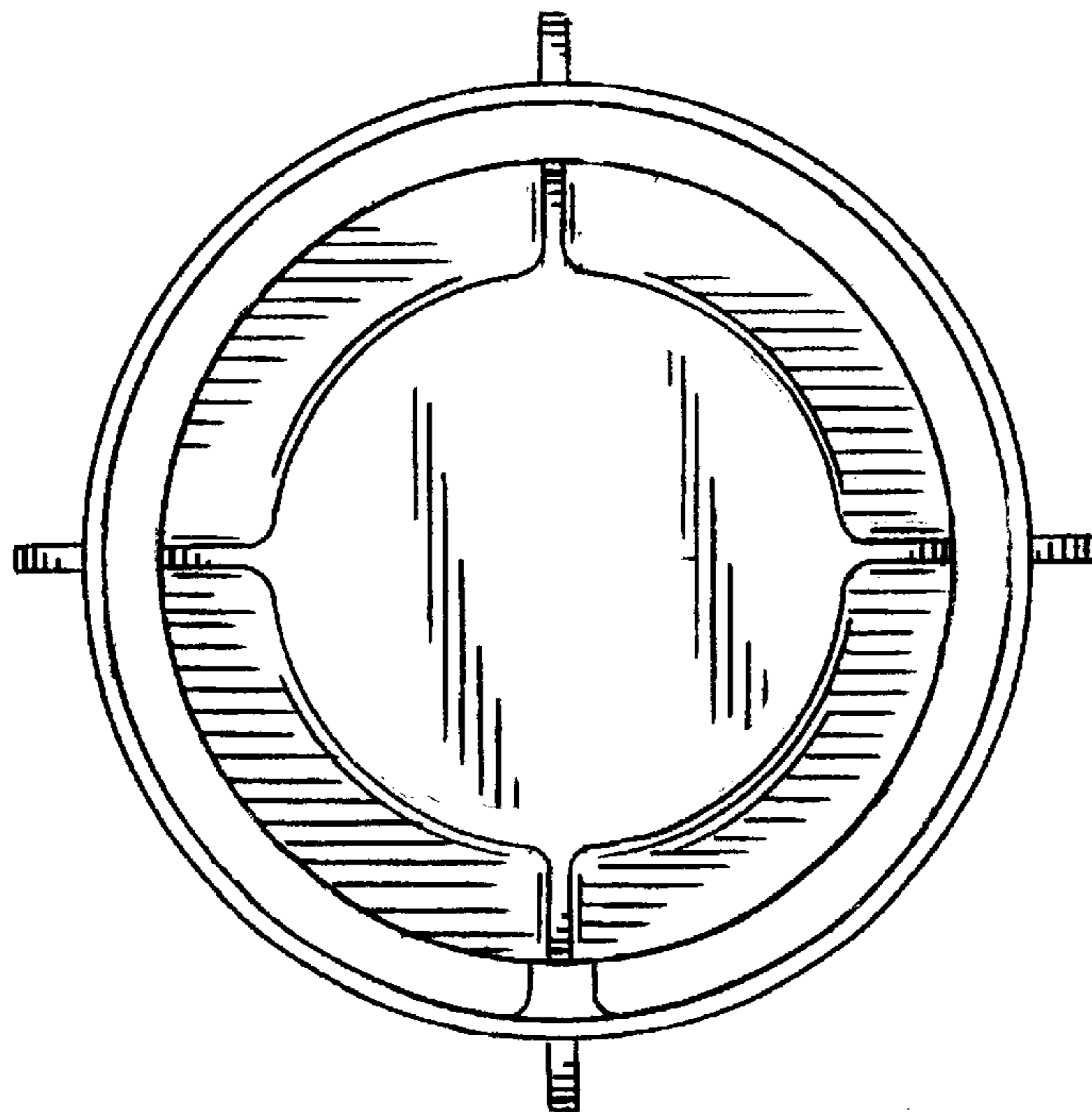
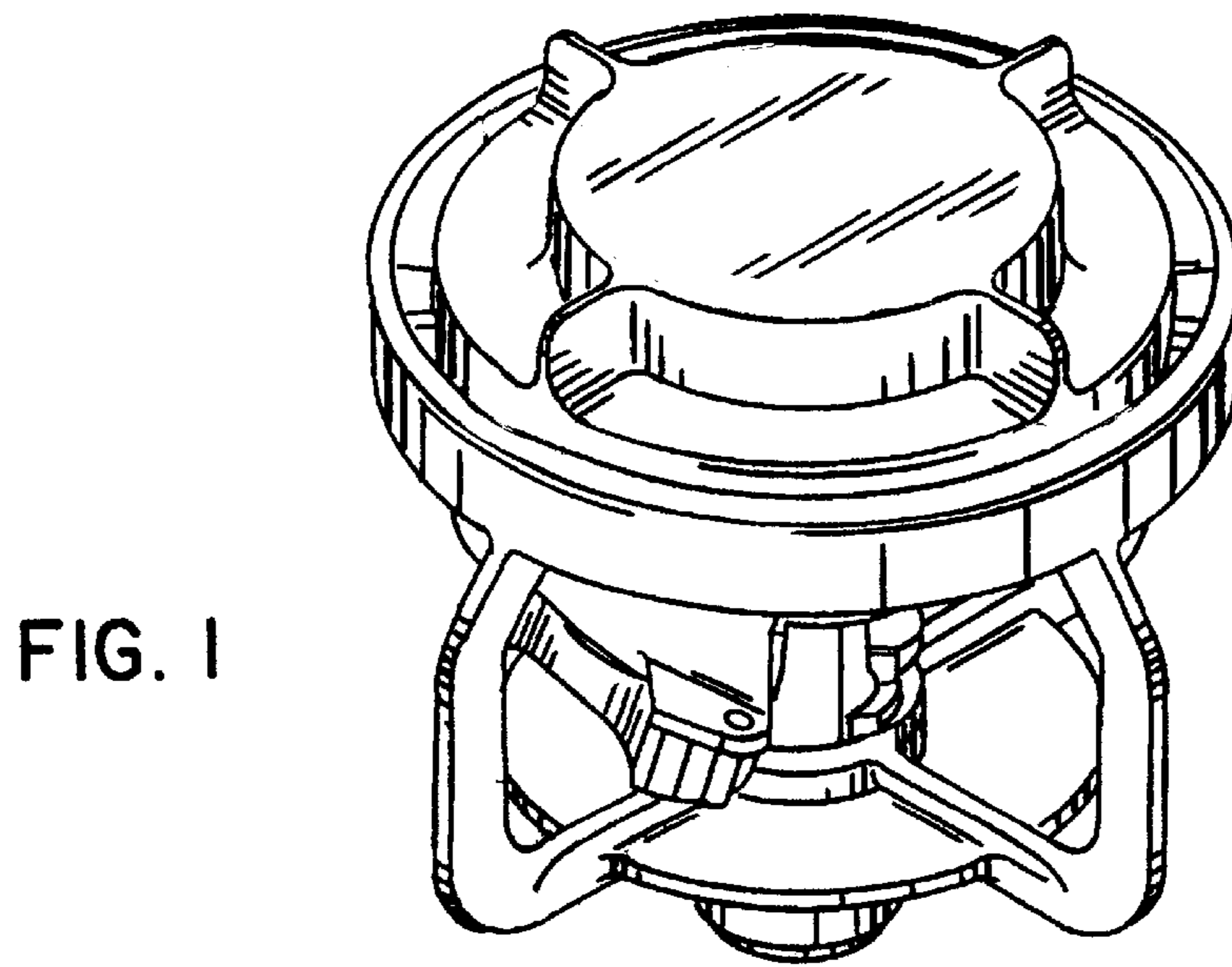
The ornamental design for a sprinkler, as shown and described.

DESCRIPTION

FIG. 1 is a perspective view of an embodiment of a sprinkler of our new design;
 FIG. 2 is a top plan view of the embodiment of FIG. 1;
 FIG. 3 is a left side elevational view of the embodiment of FIG. 1;
 FIG. 4 is a rear side elevational view of the embodiment of FIG. 1;
 FIG. 5 is a right side elevational view of the embodiment of FIG. 1;
 FIG. 6 is a front side elevational view of the embodiment of FIG. 1; and,
 FIG. 7 is a bottom plan view of the embodiment of FIG. 1.

1 Claim, 4 Drawing Sheets





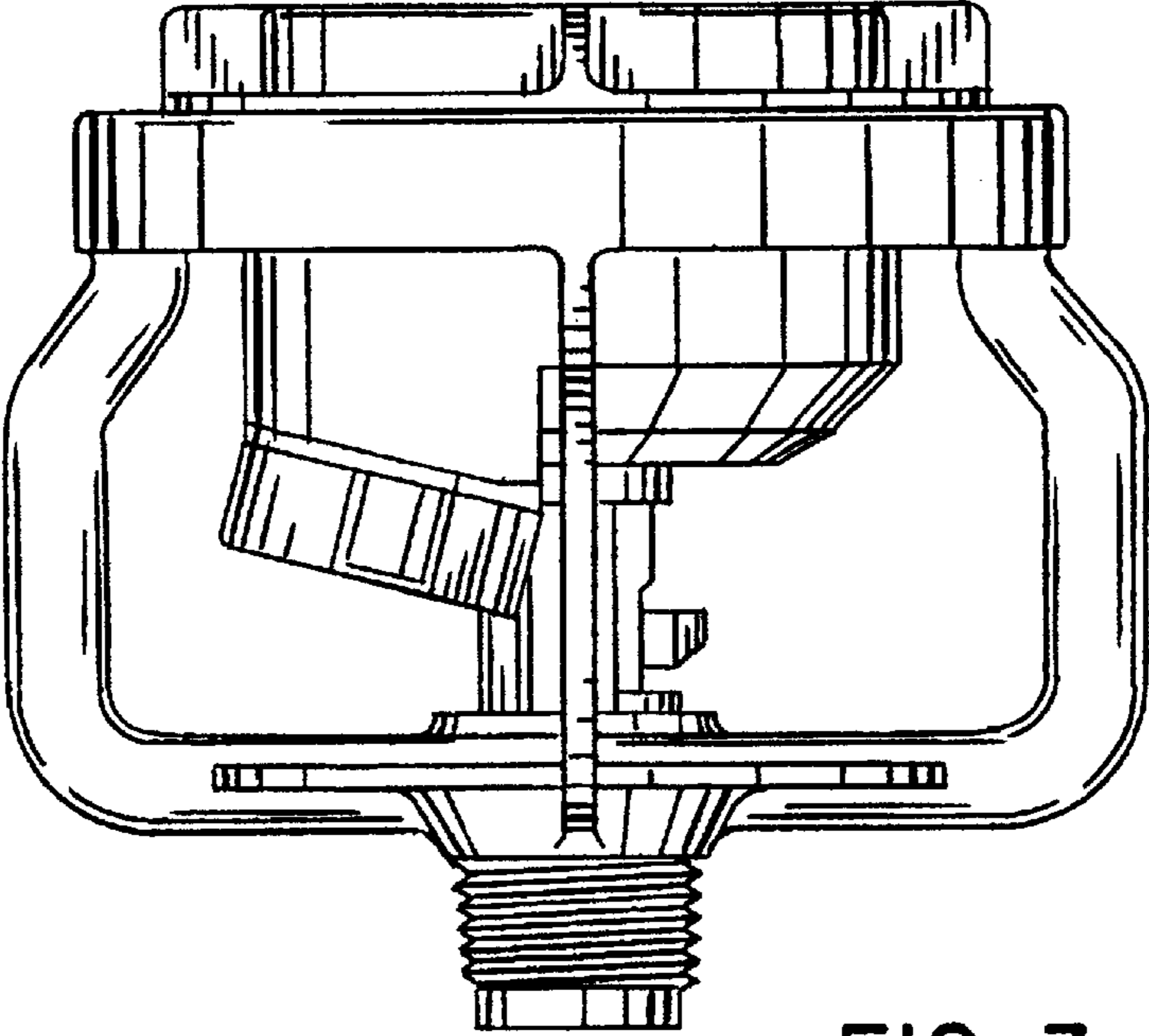


FIG. 3

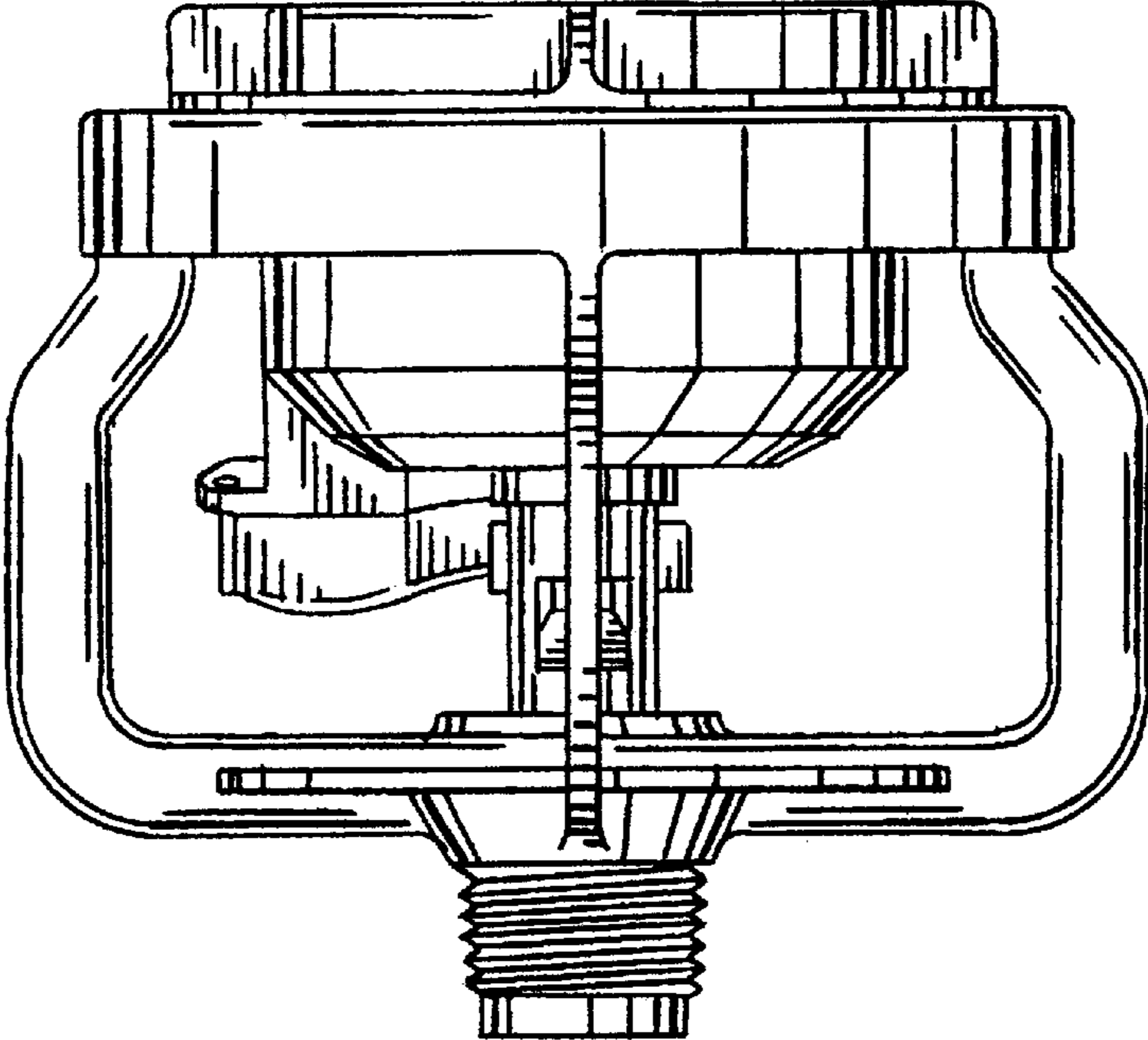


FIG. 4

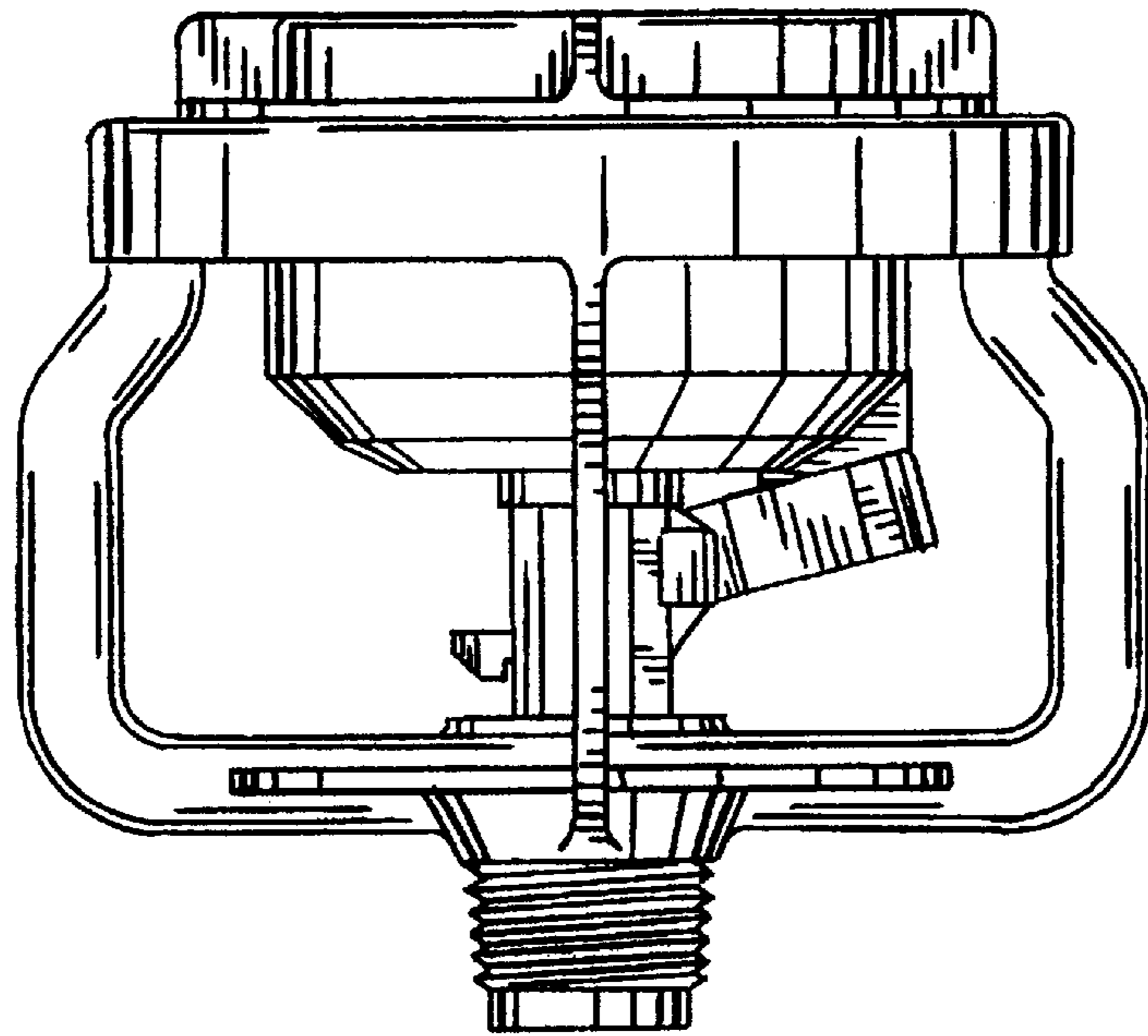


FIG. 5

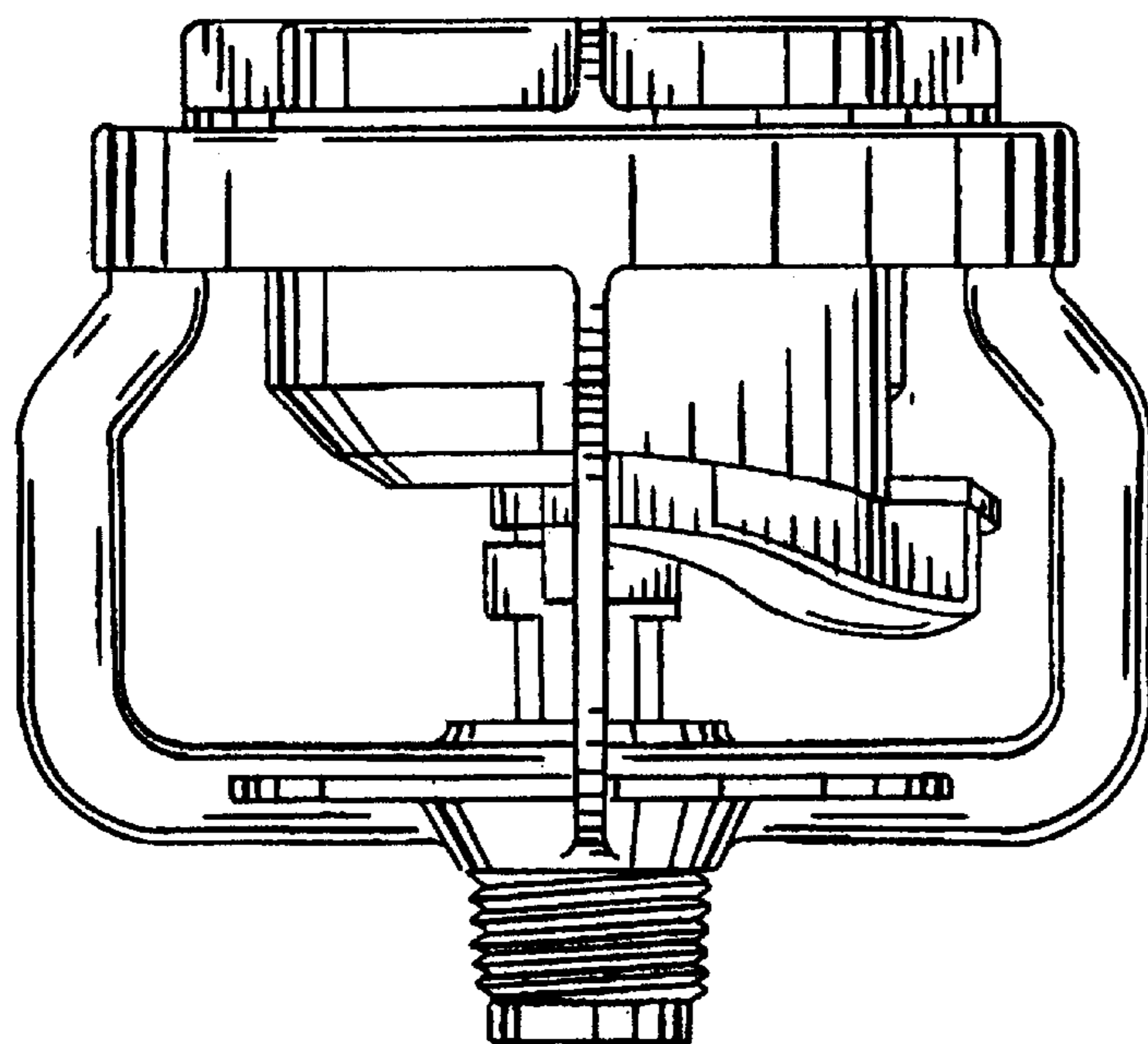


FIG. 6

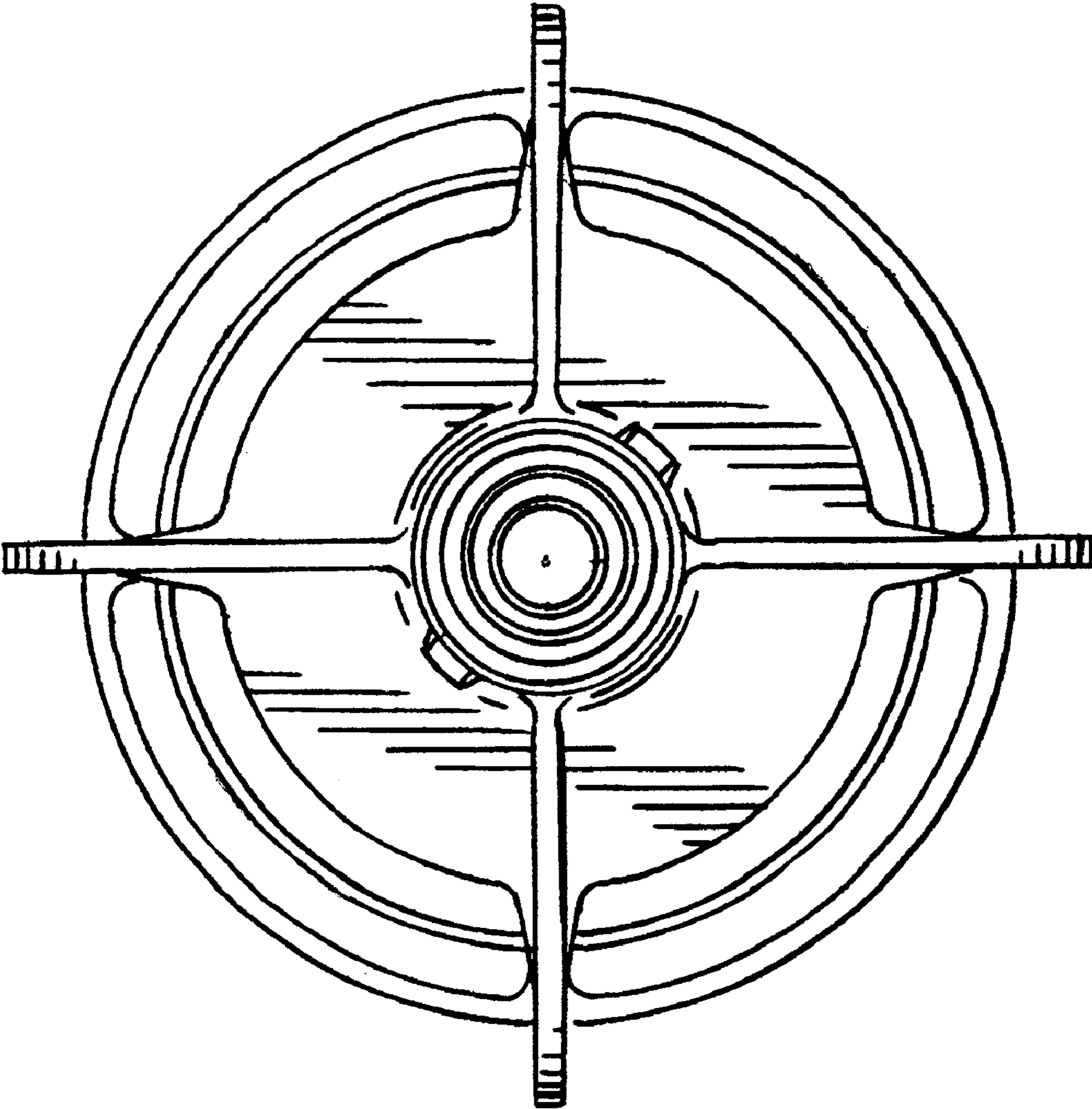


FIG. 7