



US00D516667S

(12) **United States Design Patent**  
**Hin et al.**

(10) **Patent No.:** **US D516,667 S**  
(45) **Date of Patent:** **\*\* Mar. 7, 2006**

(54) **LM3 CHLORINATOR**

(75) Inventors: **Raymond Albert Hin**, Lilydale (AU);  
**Peter Baden Farrer**, Blackburn (AU);  
**Gary Andrew Kennedy**, Croydon (AU)

(73) Assignee: **Zodiac Pool Care, Inc.**, Pompano  
Beach, FL (US)

(\*\*) Term: **14 Years**

(21) Appl. No.: **29/216,162**

(22) Filed: **Oct. 29, 2004**

(51) **LOC (8) Cl.** ..... **23-01**

(52) **U.S. Cl.** ..... **D23/208**

(58) **Field of Classification Search** ..... D23/208;  
422/263, 264; 210/416.2

See application file for complete search history.

(56) **References Cited**

**U.S. PATENT DOCUMENTS**

- D309,493 S \* 7/1990 Casberg ..... D23/208
- D371,824 S \* 7/1996 Price et al. .... D23/208
- D486,881 S \* 2/2004 Pecci et al. .... D23/207
- D506,804 S \* 6/2005 Maloney et al. .... D23/208

\* cited by examiner

*Primary Examiner*—Robin V. Webster  
(74) *Attorney, Agent, or Firm*—Dean W. Russell; Bruce D. Gray; Kilpatrick Stockton LLP

(57) **CLAIM**

The ornamental design for a LM3 chlorinator, as shown and described.

**DESCRIPTION**

FIG. 1 is a top view of the new design for an LM3 chlorinator;

FIG. 2 is a front view of the new design for an LM3 chlorinator, the back of the LM3 chlorinator being a mirror image of FIG. 2;

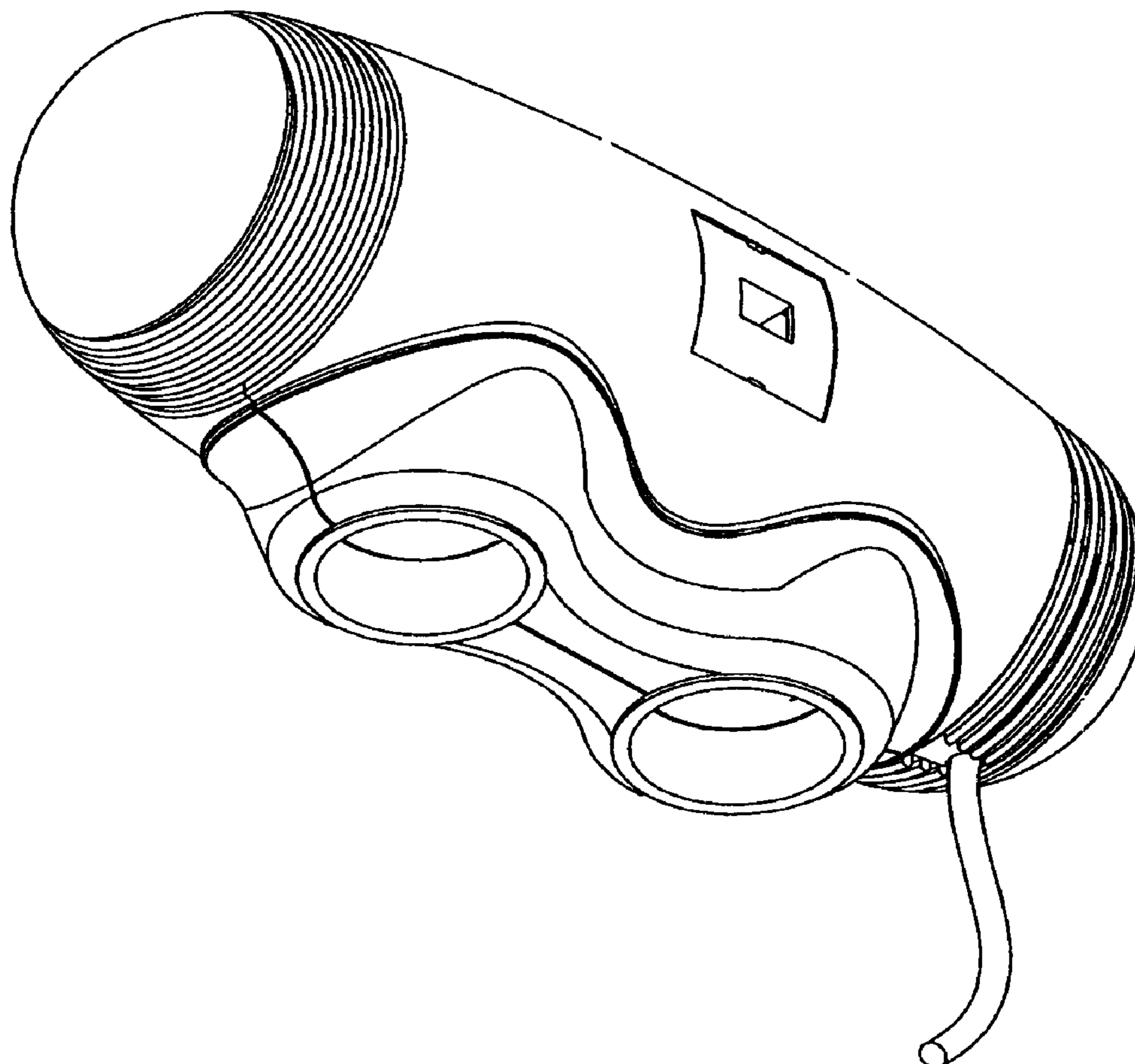
FIG. 3 is a right side view of the new design for an LM3 chlorinator;

FIG. 4 is a left side view of the new design for an LM3 chlorinator;

FIG. 5 is a bottom perspective view of the new design for an LM3 chlorinator; and,

FIG. 6 is a top perspective view of the new design for an LM3 chlorinator.

**1 Claim, 6 Drawing Sheets**



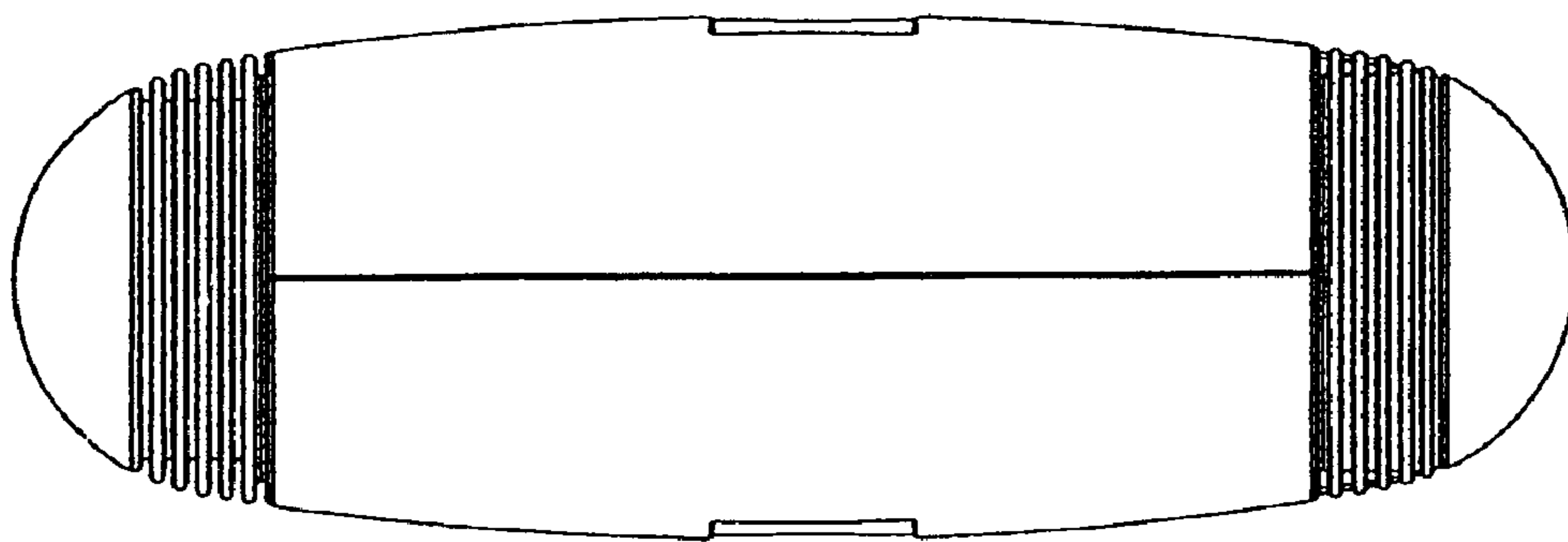


FIG. 1

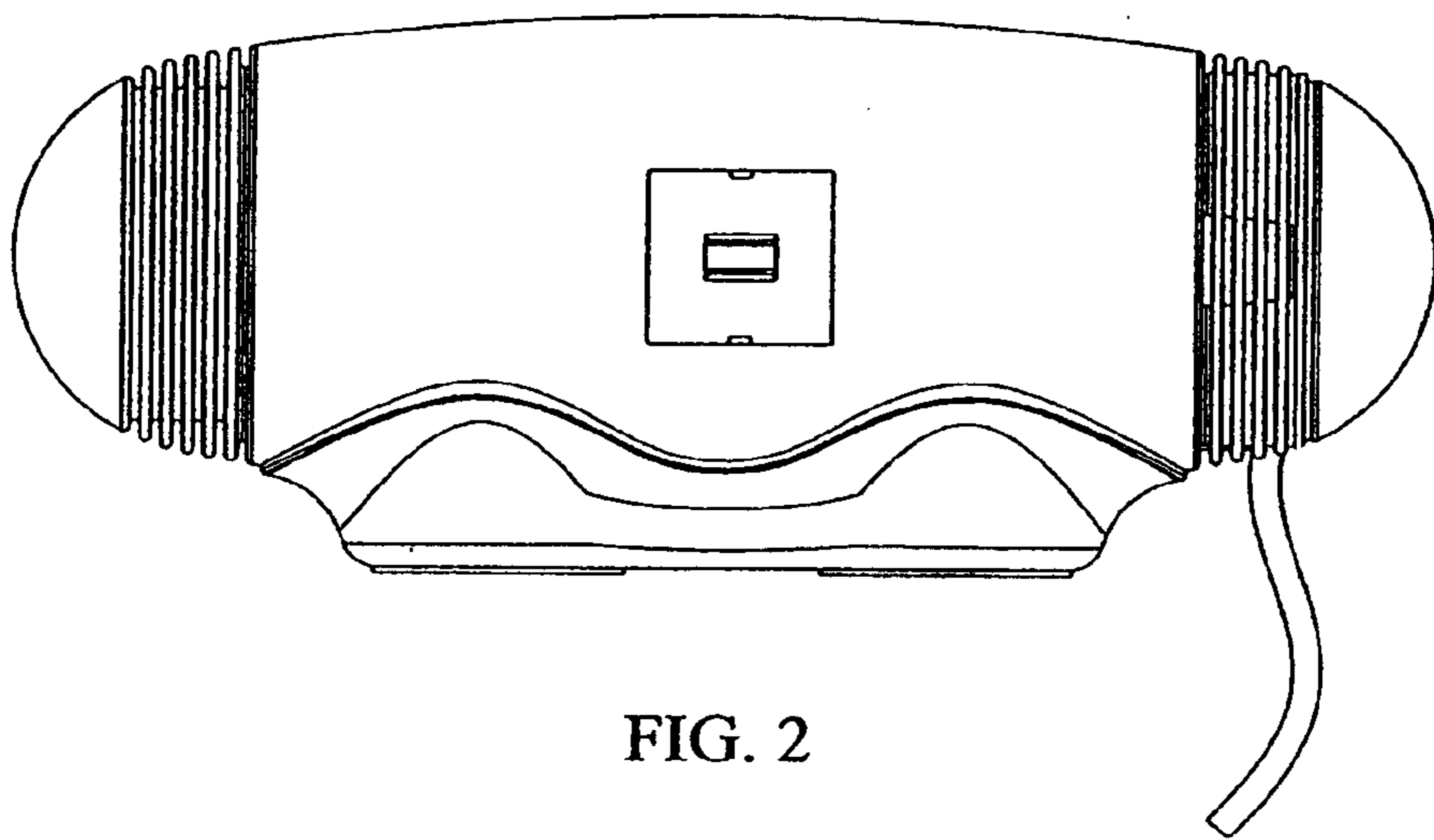


FIG. 2

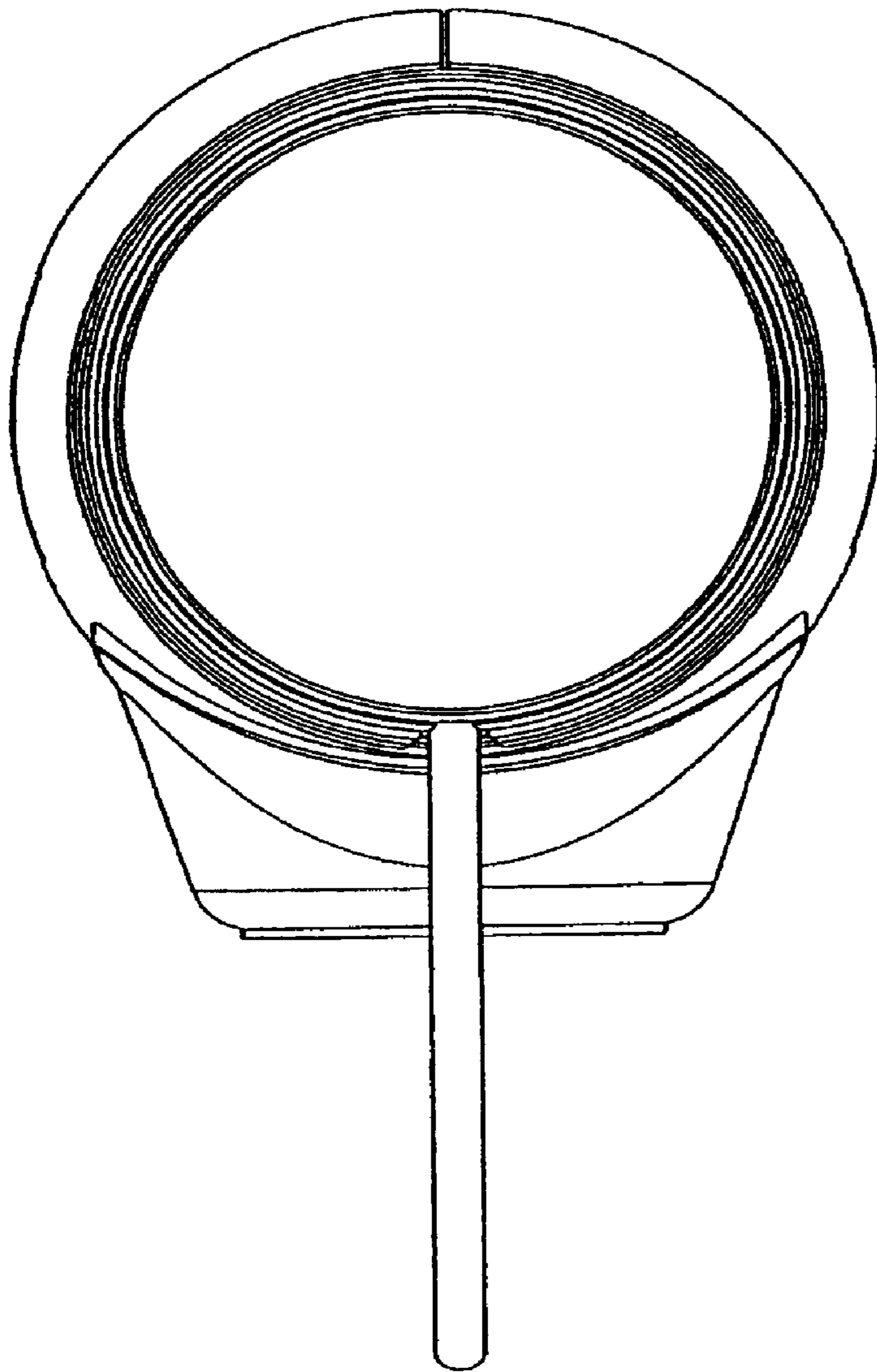


FIG. 3

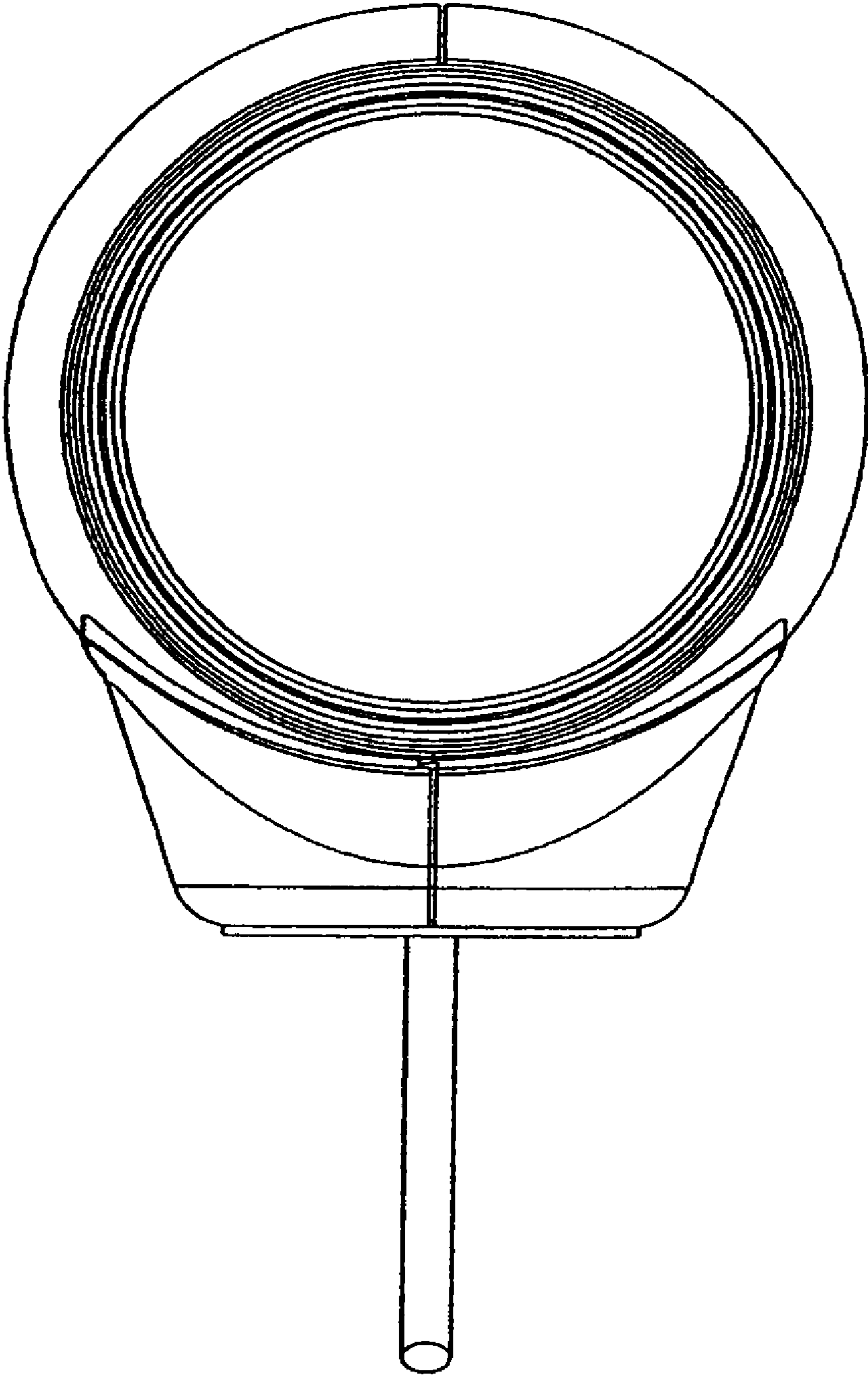


FIG. 4

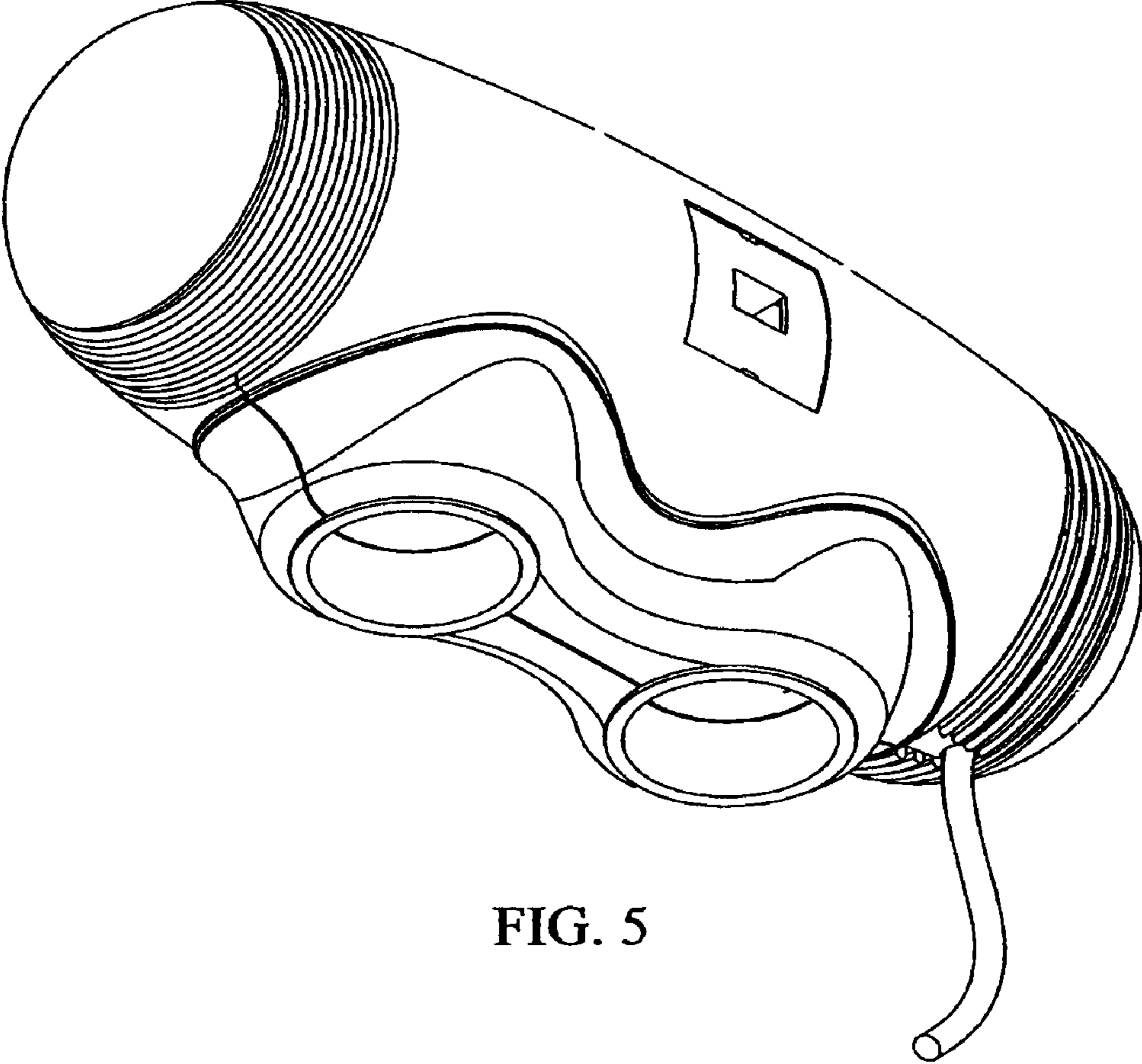


FIG. 5

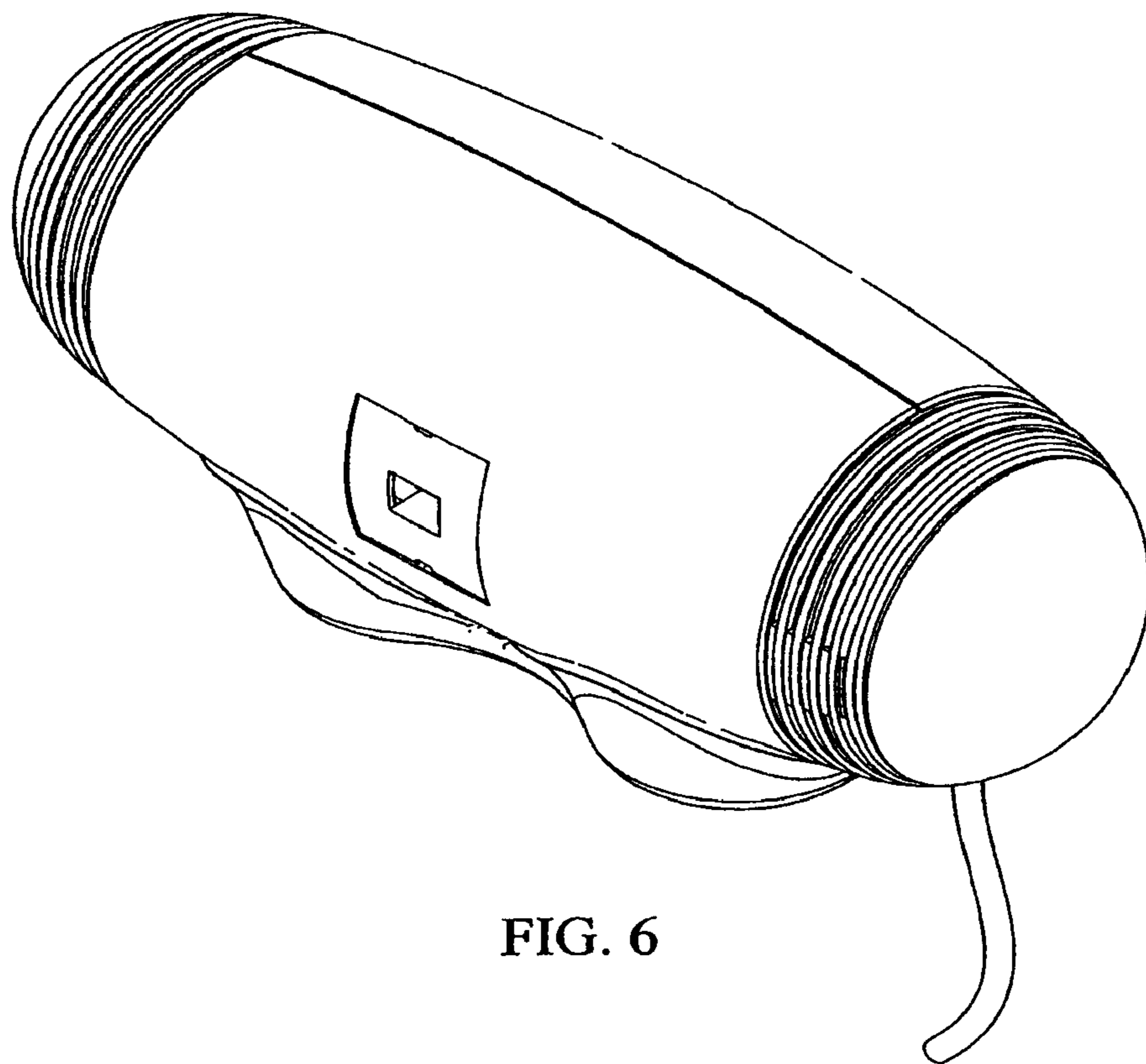


FIG. 6