



US00D516661S

(12) **United States Design Patent** (10) **Patent No.:** **US D516,661 S**
McGarry (45) **Date of Patent:** **** *Mar. 7, 2006**

(54) **PISTOL**

(75) Inventor: **James McGarry**, Prescott Valley, AZ (US)

(73) Assignee: **Sturm, Ruger & Company, Inc.**, Southport, CT (US)

(*) Notice: This patent is subject to a terminal disclaimer.

(**) Term: **14 Years**

(21) Appl. No.: **29/207,084**

(22) Filed: **Jun. 7, 2004**

(51) **LOC (8) Cl.** **22-01**

(52) **U.S. Cl.** **D22/104**

(58) **Field of Classification Search** D22/100, D22/104, 105, 108, 199; D21/567, 570, 573-575; 42/1.02, 7, 50, 65, 70.11, 71.02, 74, 75.03, 42/117, 22, 37, 40, 114, 84; 362/113, 110
See application file for complete search history.

(56) **References Cited**

U.S. PATENT DOCUMENTS

1,797,951 A *	3/1931	Gaidos	42/50
3,159,080 A *	12/1964	Freed	42/7
4,586,282 A *	5/1986	Snieszak	42/71.02
5,042,185 A *	8/1991	Justice, Sr.	42/70.11
5,229,532 A *	7/1993	Brooks	42/70.11
5,406,730 A *	4/1995	Sayre	42/1.02
D359,098 S *	6/1995	Stevens	D22/104
D359,788 S	6/1995	Ruger et al.	D22/104
D387,841 S *	12/1997	Hochstrate et al.	D22/104
D387,842 S	12/1997	Kaminski et al.	D22/104
5,741,996 A	4/1998	Ruger et al.	89/196
D430,916 S *	9/2000	Bubits	D22/104
6,370,806 B1 *	4/2002	Klebes et al.	42/84
D464,702 S *	10/2002	Mauch et al.	D22/104
D479,570 S	9/2003	Scheunert	D22/104
2004/0187374 A2 *	9/2004	Solinsky	42/146

OTHER PUBLICATIONS

The Complete Encyclopedia of Revolvers and Pistols; Copyright 2002; p. 247; Ruger P-97; top left corner of page.*

The Complete Encyclopedia of Revolvers and Pistols; Copyright 2002; p. 115; Daly DDA-CS; bottom right corner of page.*

Ruger 2004 Product Catalog, Dec. 2003, Centerfire Pistols, pp. 26-27 (publication date unknown).

Handguns, Firing Line Report, "Bersa Thunder .380 ACP," Jun. 2002, p. 60.

Handguns, "Bersa Pistols," Apr. 1993, p. 70.

Petersen's Handguns, "Guns for the Future," Sep. 1990, pp. 48-55 plus two cover pages.

Handguns, "Hi-Power," May 1995, p. 60.

Publication Unknown, depicting "Vigilante" model military High-Power and High-Power Mark 2.

The New Gun Week, Friday, Nov. 12, 1993, p. 9.

Gun Tests, May 2001, Smith & Wesson 4566TSW .45 ACP, p. 6.

(Continued)

Primary Examiner—Cathy Anne MacCormac

Assistant Examiner—Melanie Levy

(74) *Attorney, Agent, or Firm*—Morgan, Lewis & Bockius LLP

(57) **CLAIM**

The ornamental design for a pistol, as shown and described.

DESCRIPTION

FIG. 1 is a left side elevational view of a pistol showing my new design;

FIG. 2 is a right side elevational view thereof;

FIG. 3 is a top plan view thereof;

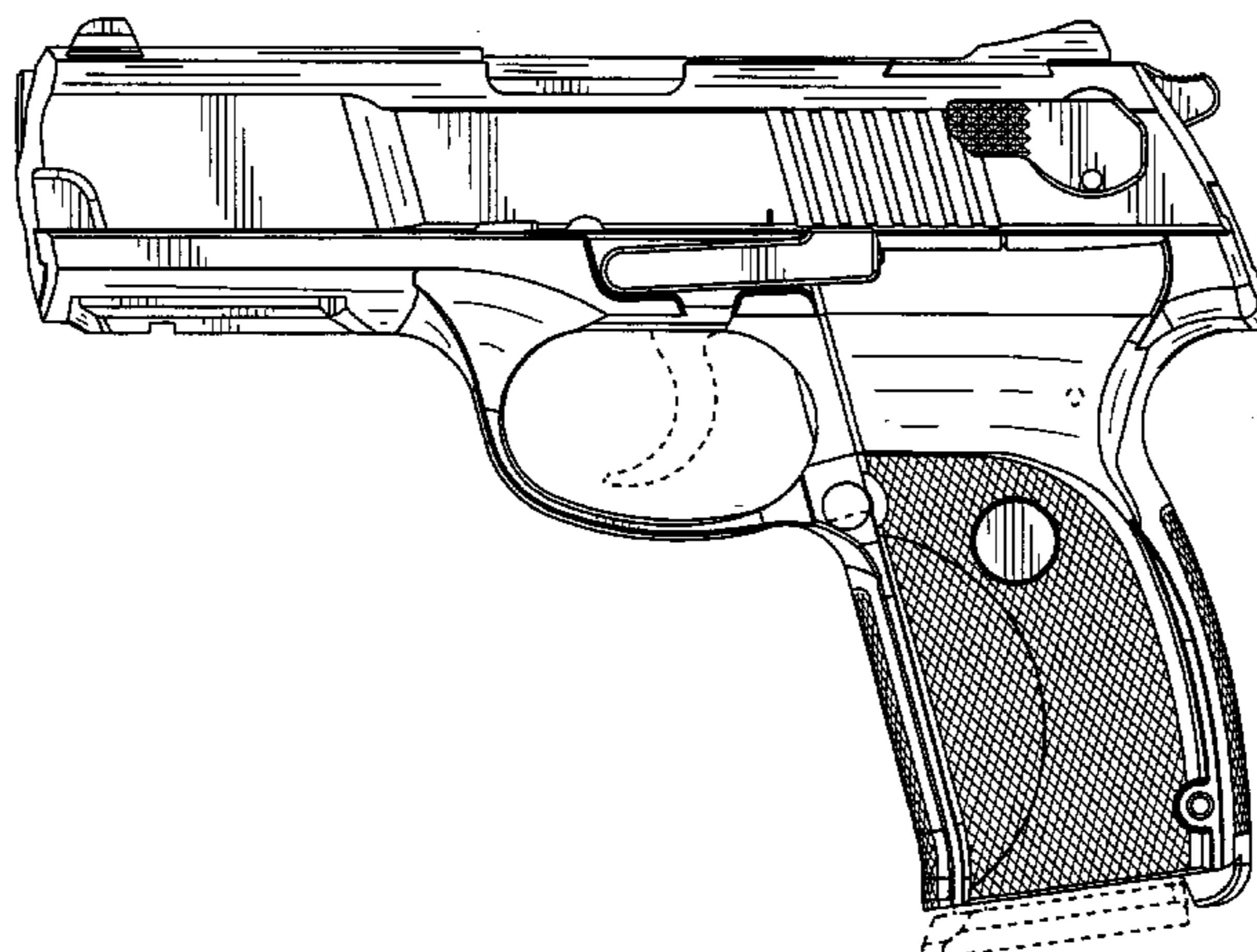
FIG. 4 is a bottom plan view thereof;

FIG. 5 is a front elevational view thereof; and,

FIG. 6 is a rear elevational view thereof.

All broken lines are for illustrative purposes only and form no part of the claimed design.

1 Claim, 2 Drawing Sheets



OTHER PUBLICATIONS

- Combat Handguns, Feb. 1992, cover and "Pocket Pistols!, Iver Johnson Compact .25," p. 48.
- Rifle, The Magazine For Shooters, Sep./Oct. 1997, No. 53, pp. 21–25.
- American Rifleman Magazine, Sep. 1981, pp. 60–62.
- Surplus Firearms vol. II, p. 12–13 (publication date unknown).
- Guns & Ammo Annual, ".380 Auto Round-Up," 1980, pp. 25–31.
- Shooting Times, Apr. 1990, pp. 55 & 85.
- Advertisement: Para Carry handgun, "Safest, Smallest, Smoothest .45!," (source unknown) (publication date unknown).
- Combat Handguns, "Combat Test: Alchemy Arms .45 ACP All-New Spectre," p. 18, (publication date unknown).
- Gun World, p. 64, Aug. 2003.
- Guns & Ammo, "457 Years Young," p. 70, Mar. 2002.
- Handguns, "Guns & Gear," Oct. 2002, p. 51.
- Advertisement: USP Compacts, p. 5, (publication unknown) (publication date unknown).
- Handguns, "Firing Line Report—Walther P22," May 2002, p. 50.
- AFTE Journal, vol. 26, No. 4, Oct. 1994, p. 283.
- Combat Handguns, p. 49 (publication date unknown).
- Complete Book of Autopistols, 2002, p. 37.
- American GunSmith Magazine, Oct. 2001, p. 21.
- Guns Illustrated 2002, p. 34.
- Gun World, Apr. 2001, p. 37.
- W&G, Mar./Apr. 2002, p. 35.
- Shot Business, Jul./Aug. 2002, p. 50.
- Handguns, "Firing Line Report—Taurus PT911," Jun. 2001, p. 58.
- Combat Handguns, Mar. 2002, cover and "New Steyr M. 357SIG," pp. 46–48.
- American Handgunner, "Combat Shooting," May/Jun. 2003, p. 34.
- Combat Handguns, Jun. 2002, cover and "All About the Glock Lock," pp. 10–13.
- Publication Unknown, p. 192, Excerpt from: American Rifleman Magazine, "Sauer Amodel 1930 Pistol," Sep. 1965, p. 40.
- Gun World, "Collector News," by Charles Karwan, pp. 60–61 (publication date unknown).
- Advertisement: Taurus USA, "Value!, Naturally Taurus," (publication and date unknown).
- American Rifleman, Nov. 1993, p. 56.
- Gun Tests, Oct. 1992, p. 14.
- American Rifleman, "Star Megastar 45 Pistol," Mar. 1993, p. 67.
- Star Firearms by Leonard M. Antaris, published 2002, "Star Models S, SI, SS, AND SIS," pp. 269–270.
- Star Firearms by Leonard M. Antaris, published 2002, "Models Super S, Super SI, and Super SM," p. 294.
- "Pistols of the World: Star," cover and pp. 284–285 (publication date unknown).
- Jane's Infantry Weapons 1991–92, 17th ed., edited by Ian V. Hogg, "Spain/PISTOLS," p. 47.
- Gun Tests, "Smith & Wesson 3913TSW," Oct. 2000, p. 13.
- Article depicting Smith & Wesson Model 4506, p. 48 (publication and date unknown).
- Article/Excerpt marked "France," showing 9mm Modele 1950 and 9mm Mab PA–15, (publication and date unknown).
- Article/Excerpt marked, "Italy," showing 9mm Glisenti Model 10 and Brixia Model 12, and 7.65mm or 9mm Beretta Model 1915 (publication and date unknown).
- Modern Law Enforcement Weapons & Tactics, p. 40 (publication date unknown).
- Article/Excerpt showing LWS–32 handgun, p. 48 (publication and date unknown).
- American Rifleman, "Mauser M2," Mar. 2000, p. 28.
- New Compact 45 Auto (top caption,) 29th Edition, 1975, pp. 261 (publication unknown).
- American Rifleman, p. 56 (publication date unknown).
- American Rifleman, p. 60 (publication date unknown).
- Shooting Times Handgun Quarterly, Summer 1989, pp. 56–58.
- Star Firearms by Leonard M. Antaris, published 2002, "Super A, B, C, M, and P Pistols," p. 457–460.
- Shooting Times, "Browning's New BDA .380 Auto Pistol," Oct. 1980, pp. 60–62.
- Gun Tests, May 1993, p. 12–14.
- American Rifleman, "American Arms P98 Pistol," Mar. 1991, pp. 46–47.
- Law Enforcement Technology, "Gun Review: Third Generation Born to a Growing Family," by Tom Ellis, Nov./Dec. 1988, pp. 30, 32, 34, & 36.
- American Rifleman, "Zastava CZ99 Pistol," p. 50 (publication date unknown).
- Gun Tests Magazine, "Europe on a Budget: Mid-Priced .380s From Italy and Hungary," Sep. 1993, pp. 9–10.
- Rifle, "Upgrades," Nov.–Dec. 1992, pp. 39–40.
- Guns, Jun. 1993, pp. 62–63.
- Handguns for Sport & Defense, "New 9 mm Combat Autos from Mauser," Sep. 1992, pp. 35–36.
- Law Enforcement Weapons & Tactics, 2nd ed., pp. 26–27 (publication date unknown).
- Walther, A German Legend, by Manfred Kersten, "Model 2," 66–67 and cover with two introductory pages (publication date unknown).
- Combat Handguns, February 2002, cover and p. 42.
- A Comprehensive, Explanatory Glossary; showing Taurus pistol, two pages (publication date unknown).
- Combat Handguns, "New Taurus PT–145 .45ACP," pp. 40–41 (publication date unknown).
- U.S. Appl. No. 29/203,552, filed Apr. 15, 2004, James McGarry.
- U.S. Appl. No. 29/203,545, filed Apr. 15, 2004, James McGarry.

* cited by examiner

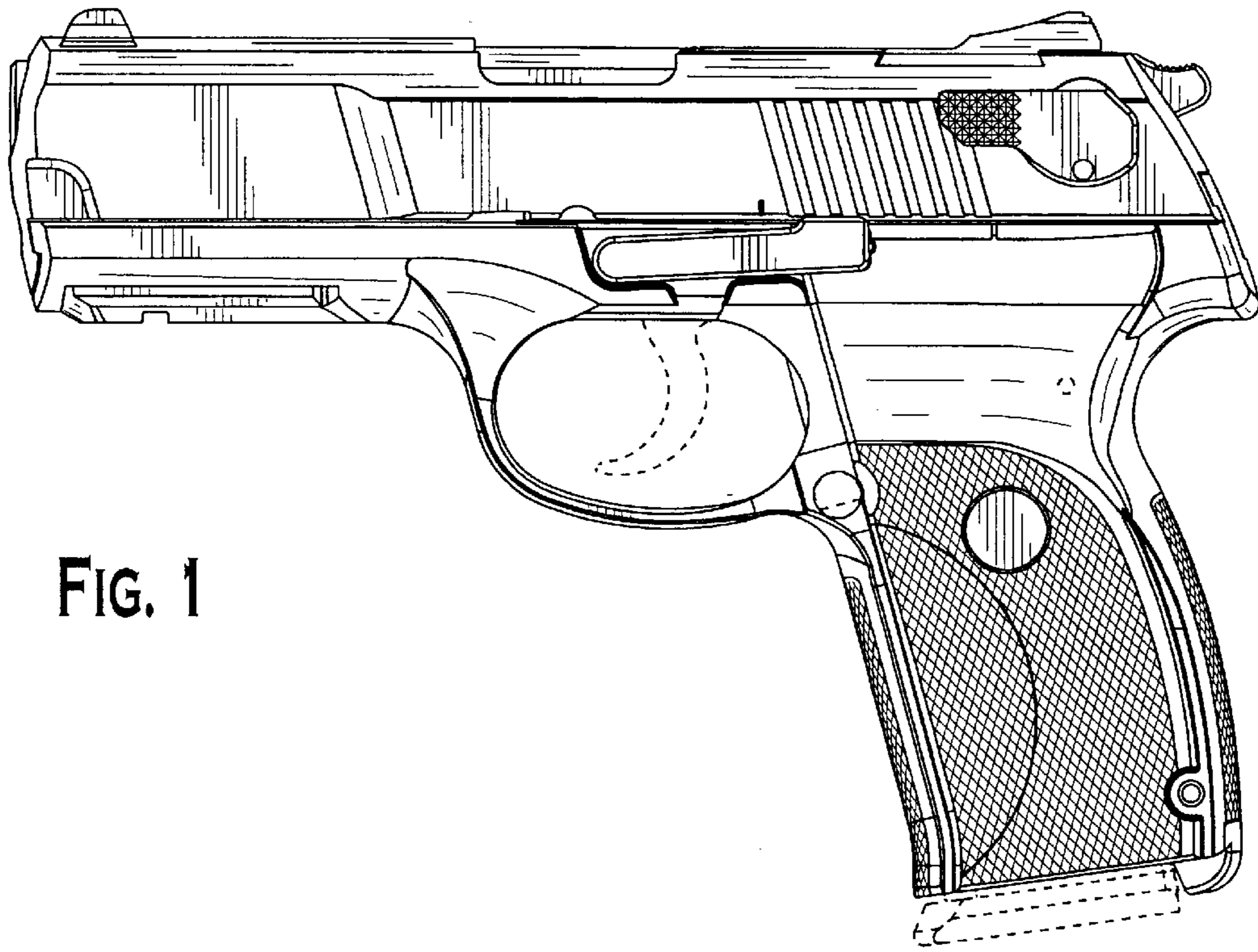


FIG. 1

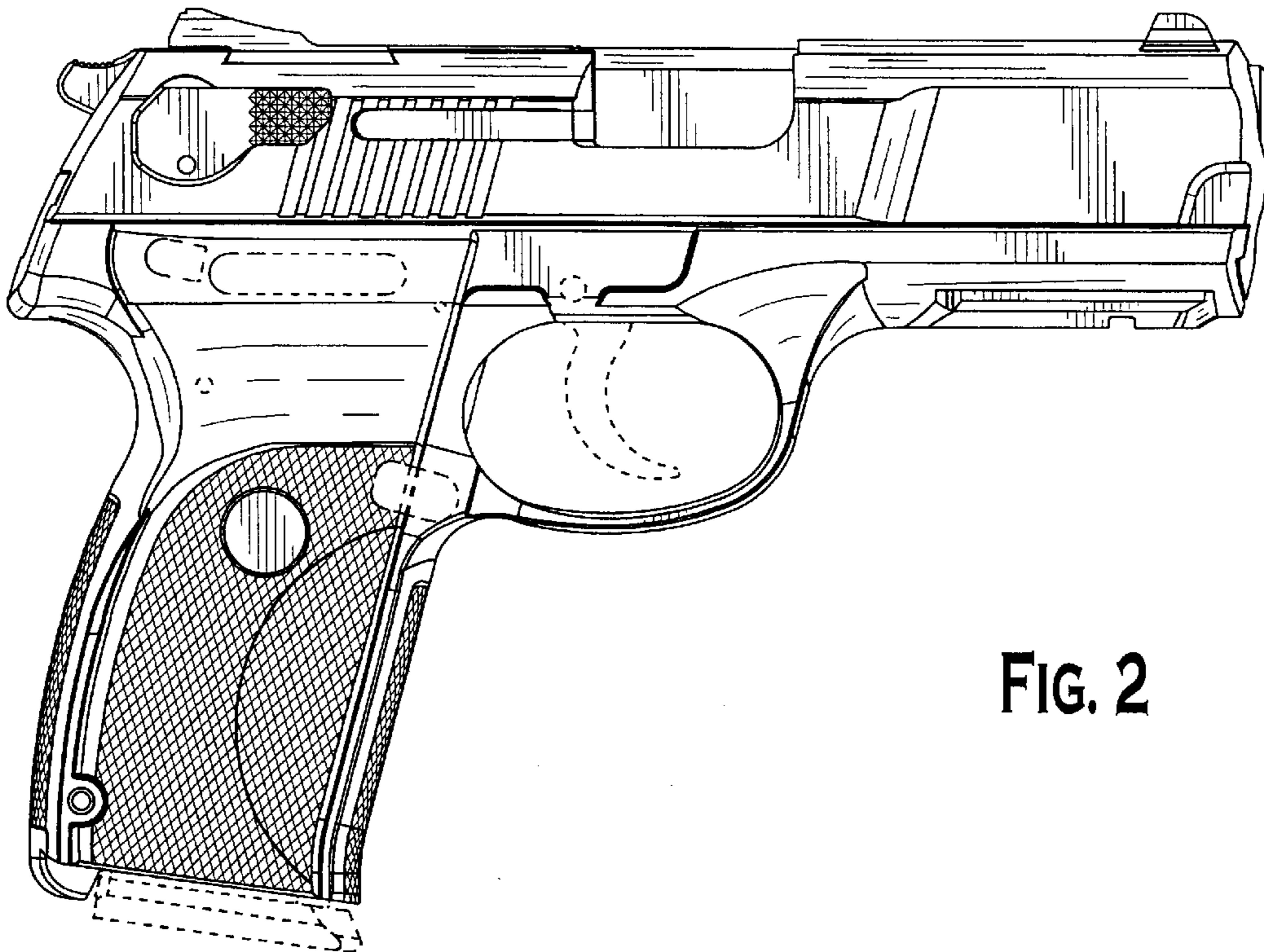


FIG. 2

FIG. 3

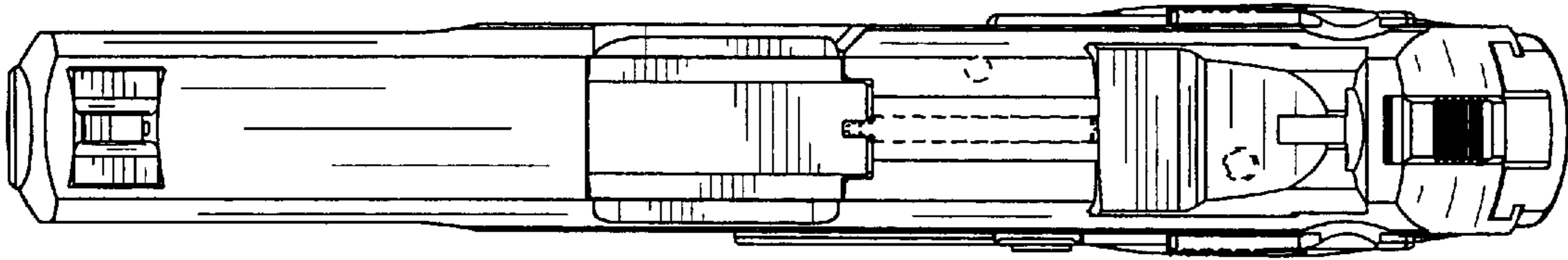


FIG. 4

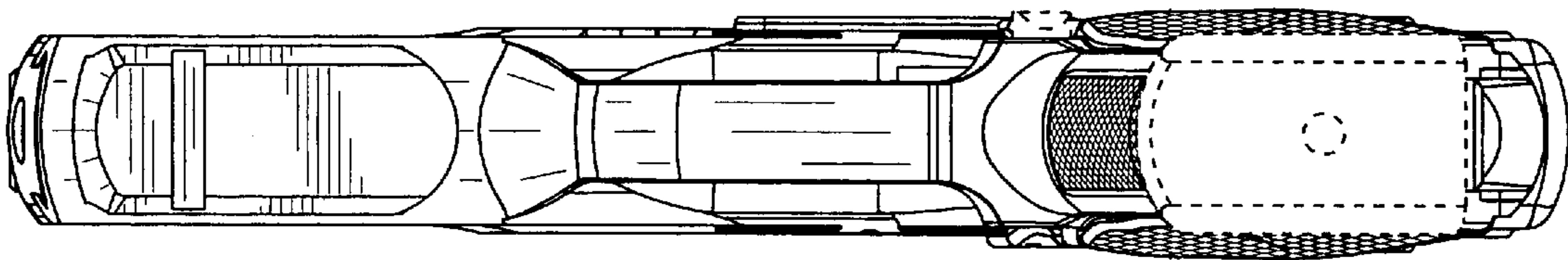


FIG. 5

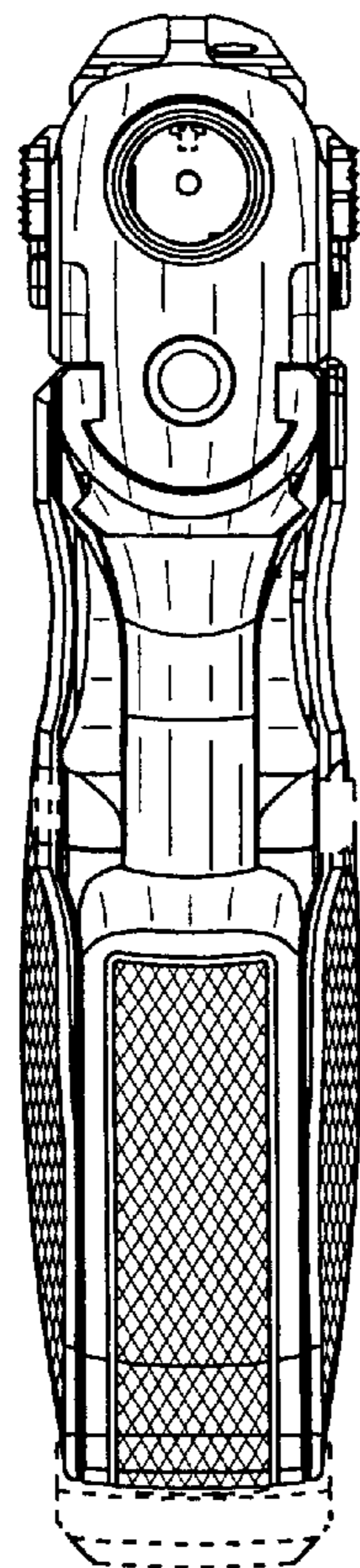


FIG. 6

