



US00D516660S

(12) **United States Design Patent** (10) **Patent No.:** **US D516,660 S**
Murello et al. (45) **Date of Patent:** **** Mar. 7, 2006**

(54) **FIREARM**

(75) Inventors: **Johannes Murello**, Deisslingen (DE);
Wilhelm Fischbach,
Deisslingen-Laufen (DE); **Thomas**
Schweikart, Vöhringen (DE);
Alexander Stumpp, Bitz (DE)

(73) Assignee: **Heckler & Koch, GmbH**,
Oberndorf/Neckar (DE)

(**) Term: **14 Years**

(21) Appl. No.: **29/206,670**

(22) Filed: **Jun. 2, 2004**

(51) **LOC (8) Cl.** **22-01**

(52) **U.S. Cl.** **D22/103; D22/100**

(58) **Field of Classification Search** **D22/100,**
D22/101, 103, 104, 108, 199; D21/572, 573;
42/51, 71.01, 75.01, 75.02, 90; 362/110;
33/241; 313/105 R; 89/40.06, 37.04, 33.04;
124/67, 66, 74

See application file for complete search history.

(56) **References Cited**

U.S. PATENT DOCUMENTS

- 897,813 A * 9/1908 Bennett 124/67
- 2,141,837 A * 12/1938 Farnsworth 313/105 R
- 3,999,461 A * 12/1976 Johnson et al. 89/40.06
- 4,311,082 A * 1/1982 Johnson et al. 89/33.04
- 4,351,224 A * 9/1982 Curtis 89/37.04
- 4,587,879 A * 5/1986 Savioli 89/33.04
- 4,625,706 A * 12/1986 Turner, Jr. 124/67
- 4,676,137 A * 6/1987 Stockton et al. D22/103
- D295,058 S * 4/1988 Turner, Jr. D22/103
- 4,769,938 A * 9/1988 Chesnut et al. D22/103
- 5,198,600 A * 3/1993 E'Nama 42/90
- 5,305,539 A * 4/1994 Von Kuster 42/75.02
- D359,529 S * 6/1995 Nguyen D22/103
- D369,639 S * 5/1996 Predazzer D22/103
- D372,067 S * 7/1996 Predazzer D22/103
- D385,008 S * 10/1997 Lamont D22/100
- 5,930,935 A * 8/1999 Griffin 42/105
- D429,308 S * 8/2000 Guhring D22/103
- 6,250,294 B1 * 6/2001 Lim 124/66

- 6,609,321 B1 * 8/2003 Faifer 42/71.01
- 6,651,371 B1 * 11/2003 Fitzpatrick et al. 42/71.01
- 6,752,137 B1 * 6/2004 Brunette et al. 124/74
- 2001/0042334 A1 11/2001 Weichert et al. 42/105

FOREIGN PATENT DOCUMENTS

WO WO 00/75596 A1 12/2000

* cited by examiner

Primary Examiner—Louis S. Zarfes

Assistant Examiner—Melanie Levy

(74) *Attorney, Agent, or Firm*—Hanley, Flight &
Zimmerman, LLC

(57) **CLAIM**

The ornamental design for a firearm, as shown and described.

DESCRIPTION

FIG. 1 is a left side perspective view of a firearm showing my new design.
 FIG. 2 is a left side view of the firearm of FIG. 1 ;
 FIG. 3 is a right side view of the firearm of FIG. 1 ;
 FIG. 4 is a top view of the firearm of FIG. 1 ;
 FIG. 5 is a bottom view of the firearm of FIG. 1 ;
 FIG. 6 is a front view of the firearm of FIG. 1 ;
 FIG. 7 is a rear view of the firearm of FIG. 1 ;
 FIG. 8 is a left side view of the firearm of FIG. 1 shown with the stock in a retracted position;
 FIG. 9 is a left side view of the firearm of FIG. 8;
 FIG. 10 is a right side view of the firearm of FIG. 8;
 FIG. 11 is a top view of the firearm of FIG. 8;
 FIG. 12 is a right side perspective view of the firearm of FIG. 1 shown with a hinged stock.
 FIG. 13 is a right side perspective view of the firearm of FIG. 12 shown with a hinged stock pivoted to the left.
 FIG. 14 is a right side view of the firearm of FIG. 12.
 FIG. 15 is a left side view of the firearm of FIG. 12.
 FIG. 16 is a top view of the firearm of FIG. 12.
 FIG. 17 is a top view of the firearm of FIG. 12, but shown with the hinged stock in a non-pivoted position; and,
 FIG. 18 is a rear view of the firearm of FIG. 12.

1 Claim, 12 Drawing Sheets

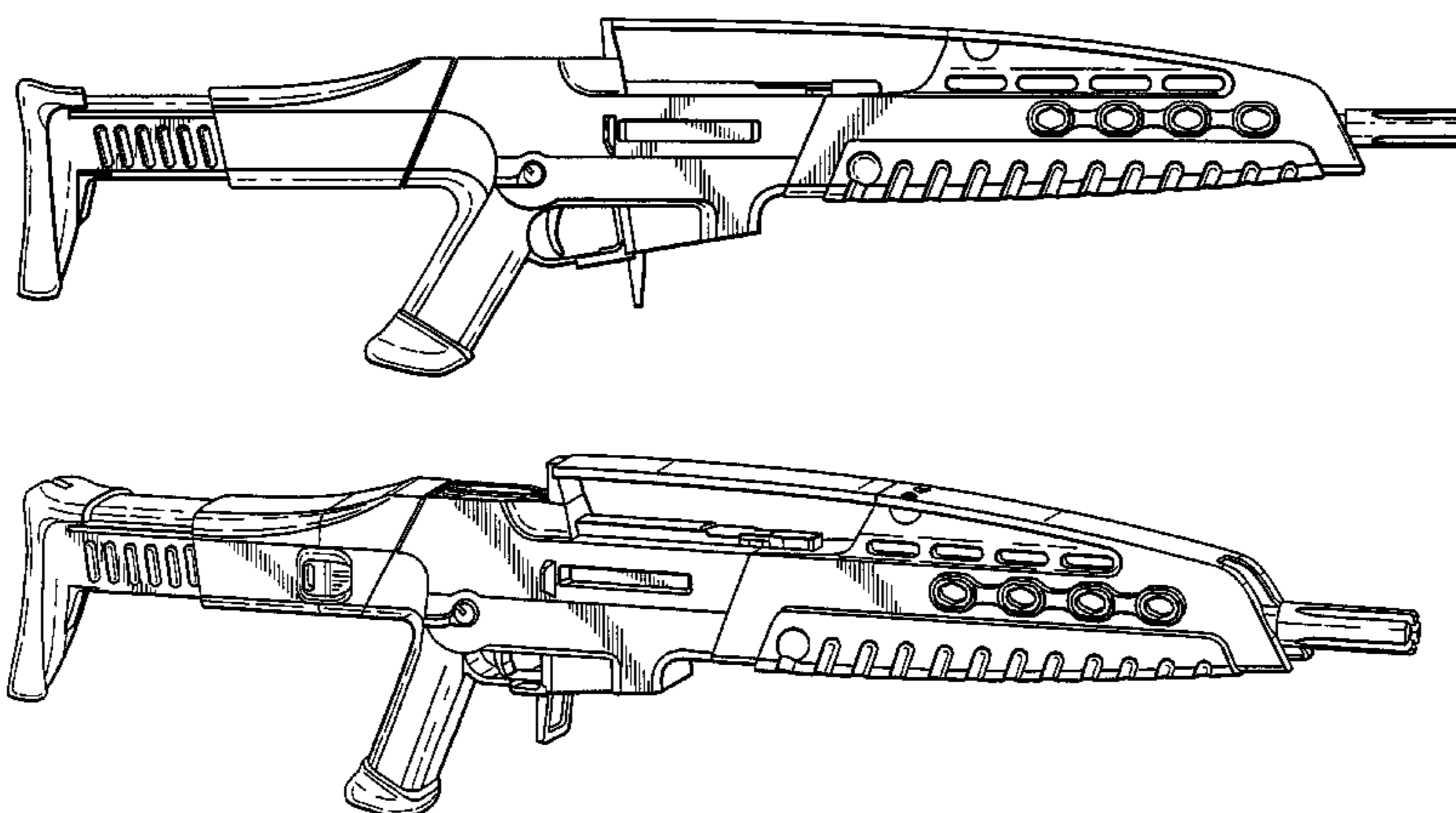
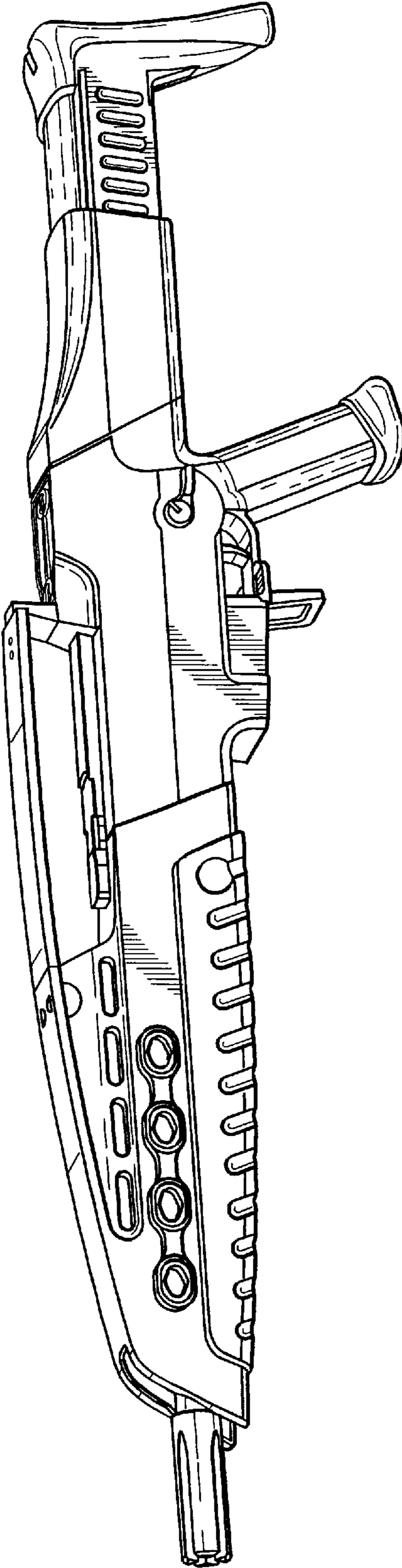


Fig. 1



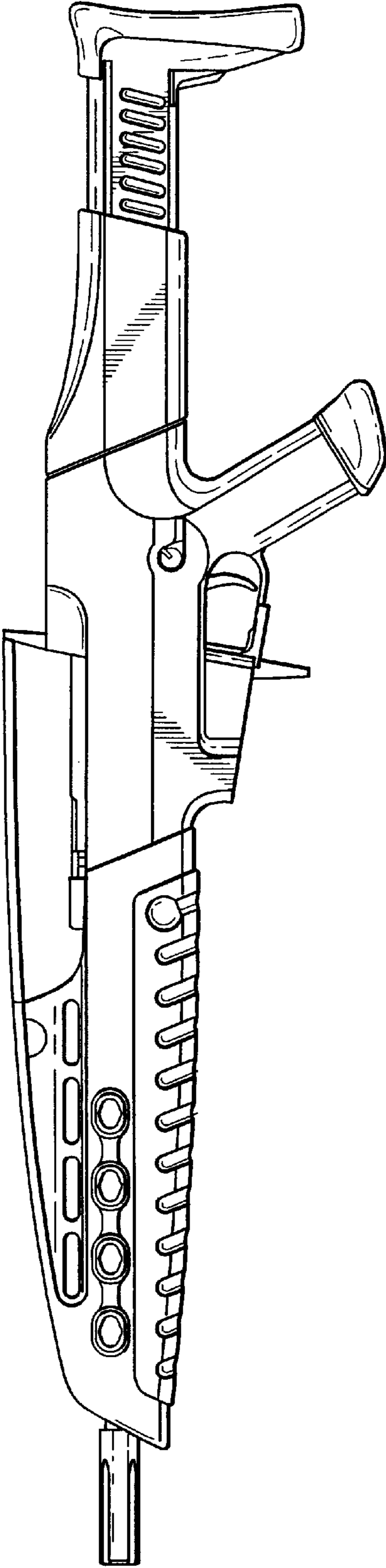


Fig. 2

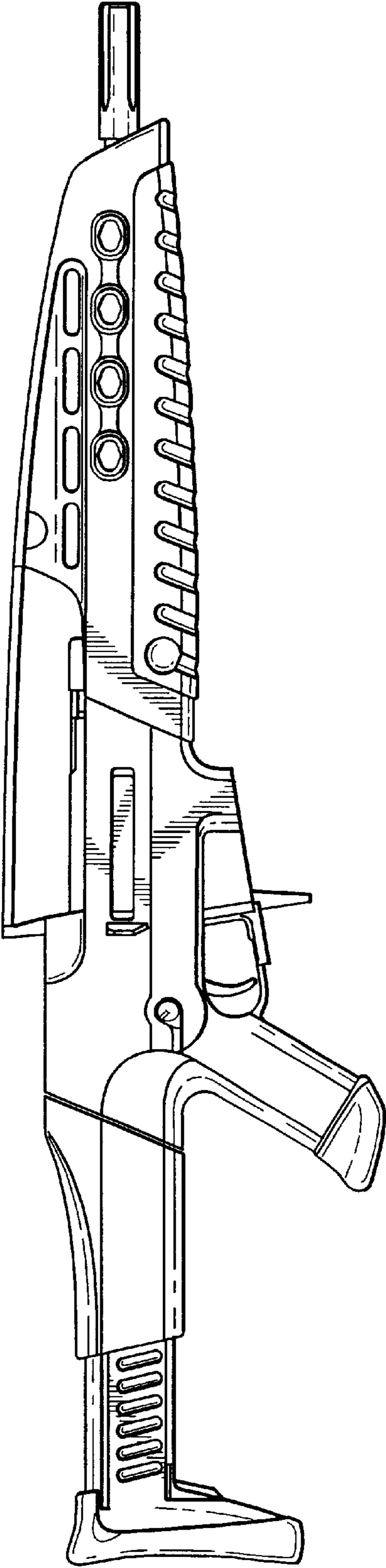


Fig. 3

Fig. 4

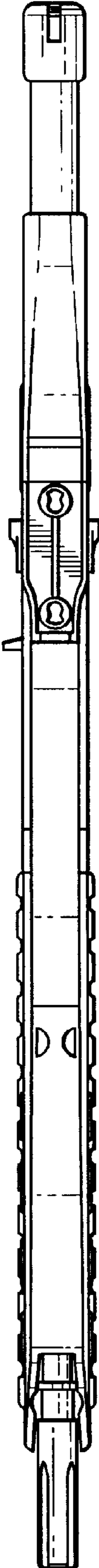


Fig. 5

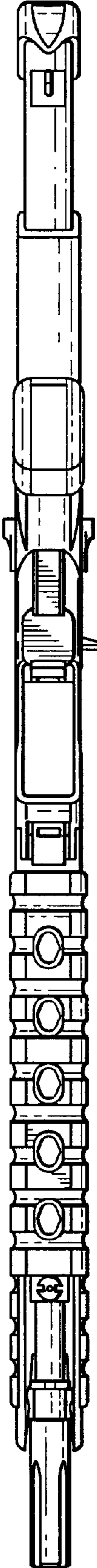


Fig. 6

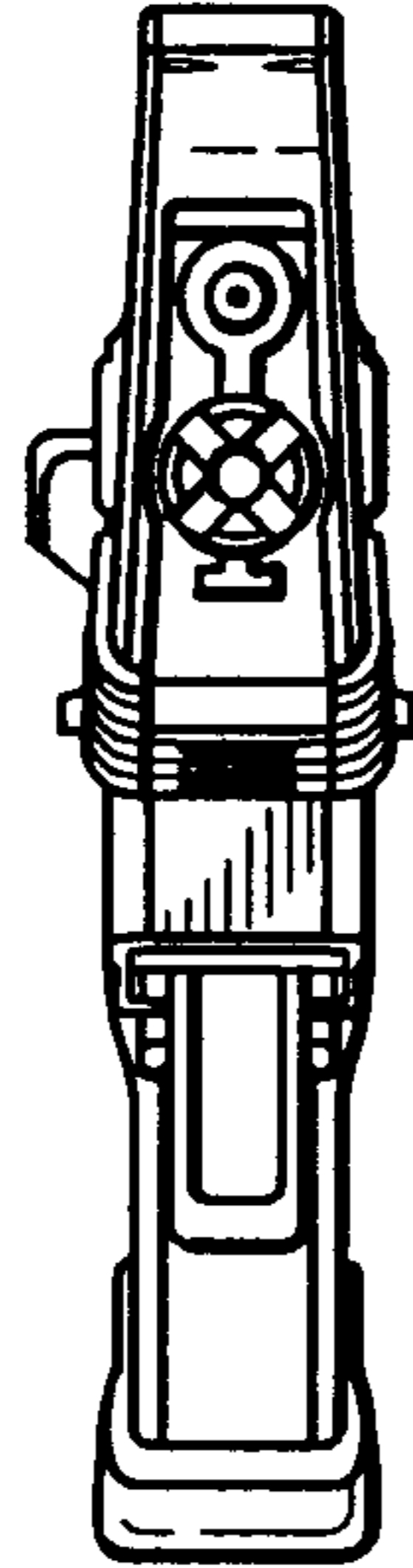
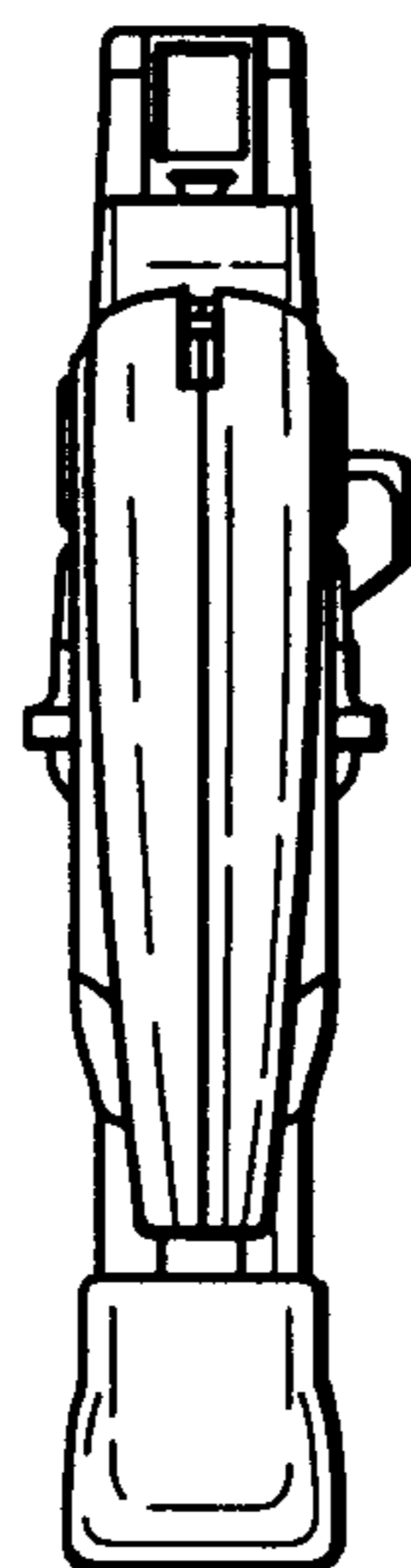


Fig. 7



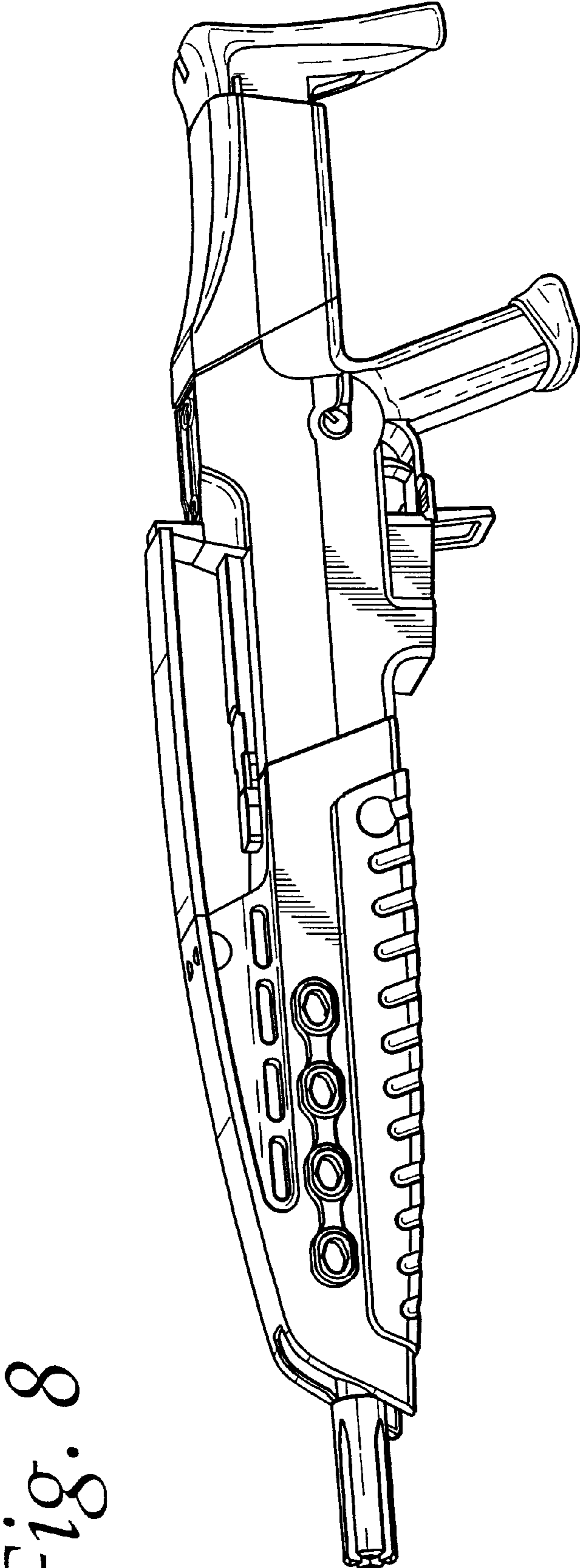


Fig. 8

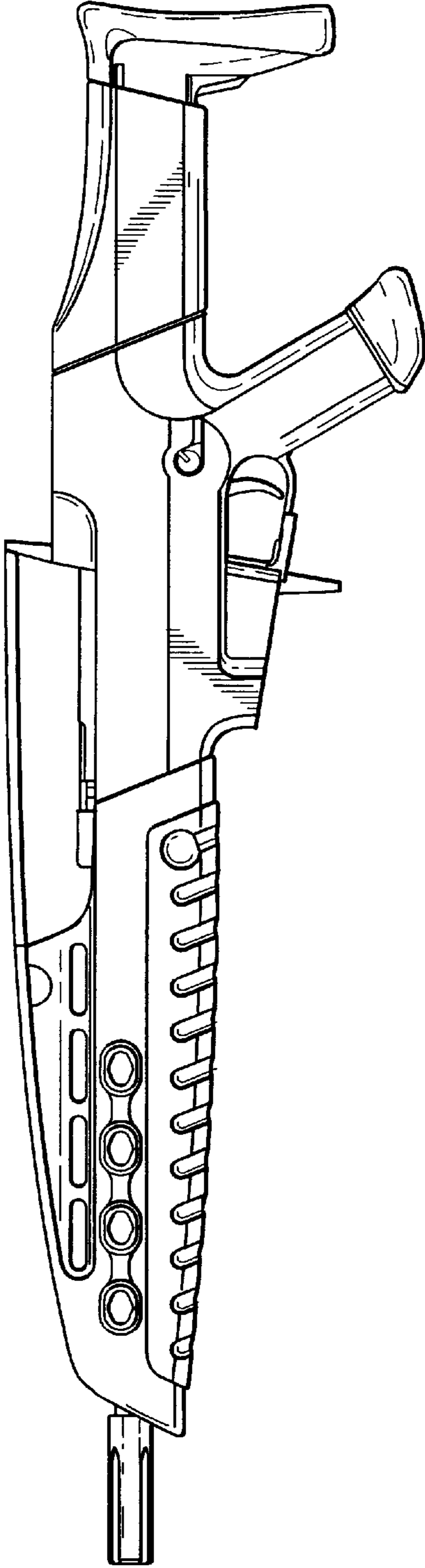


Fig. 9

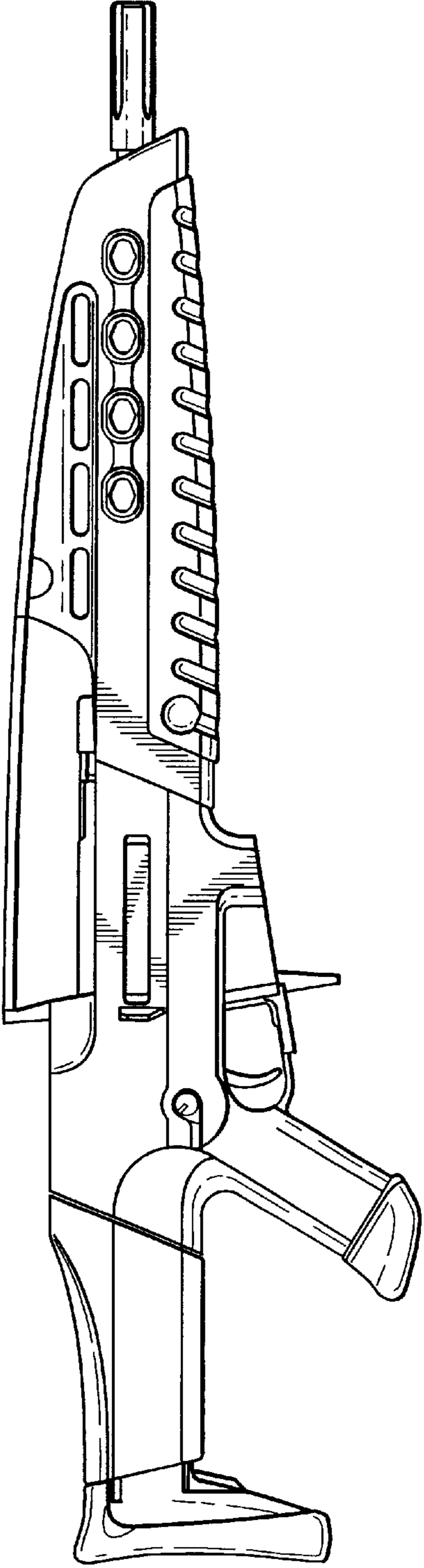


Fig. 10

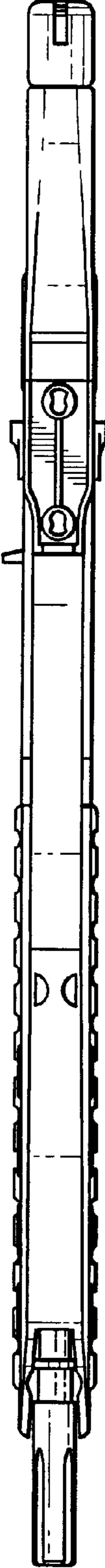
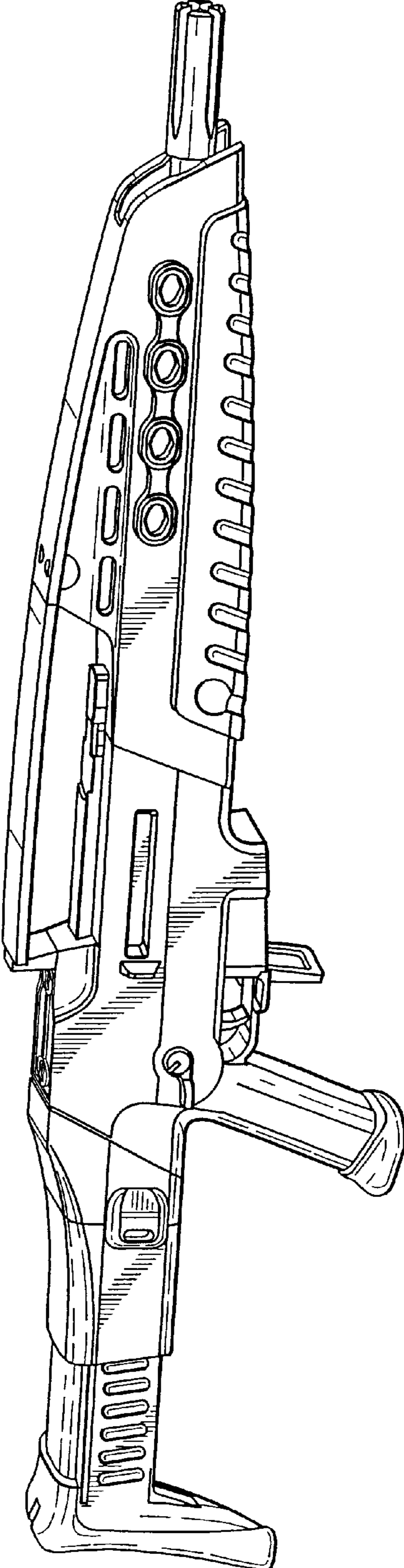


Fig. 11

Fig. 12



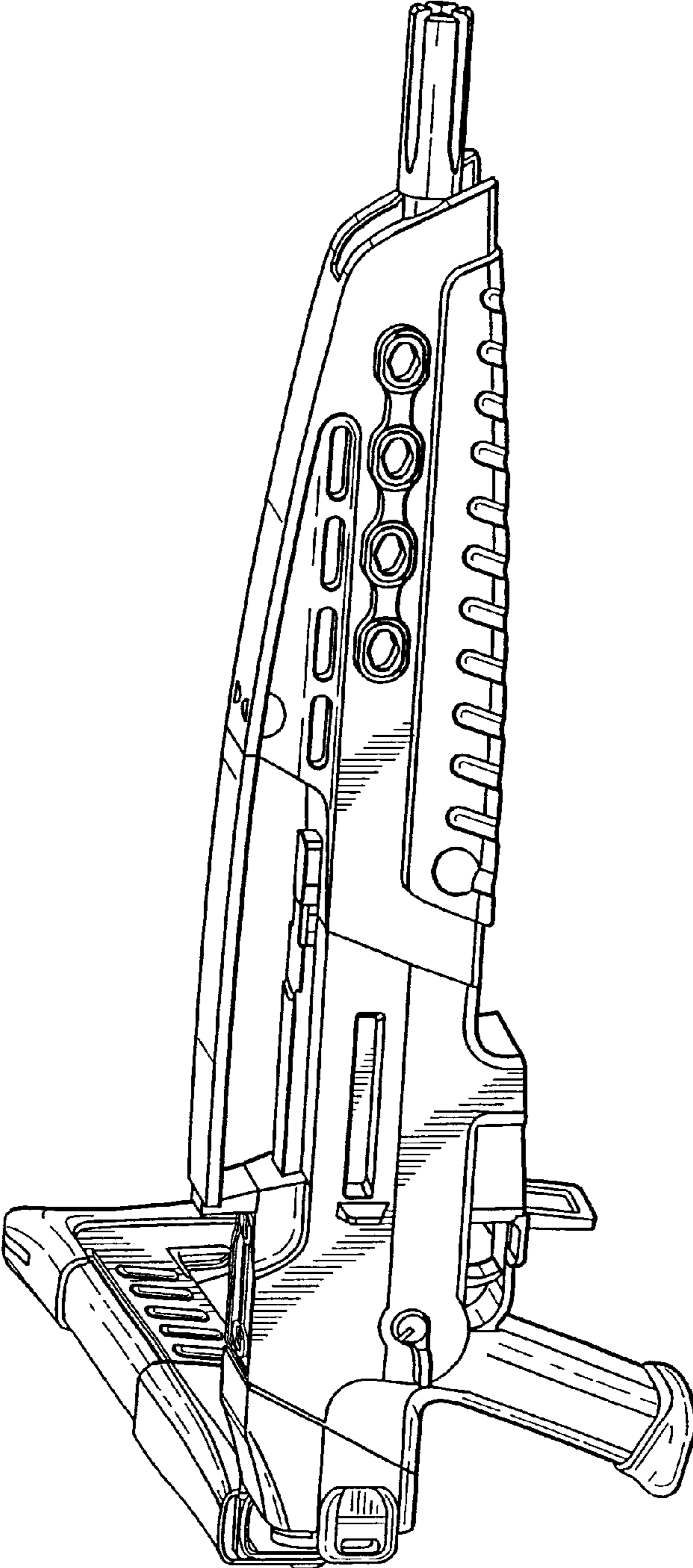


Fig. 13

Fig. 14

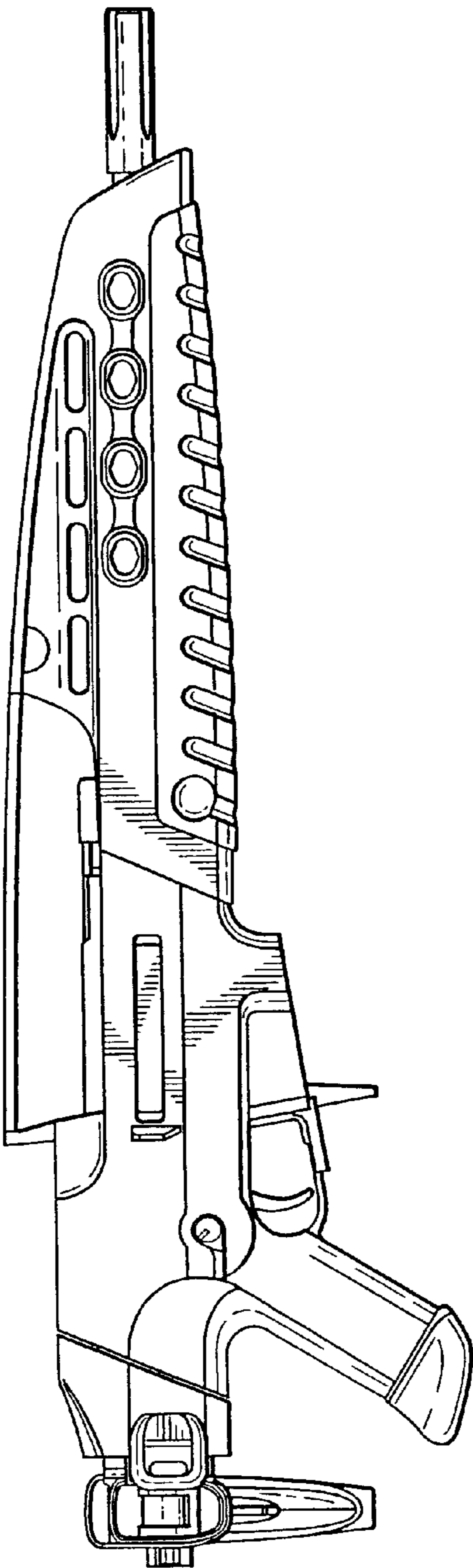
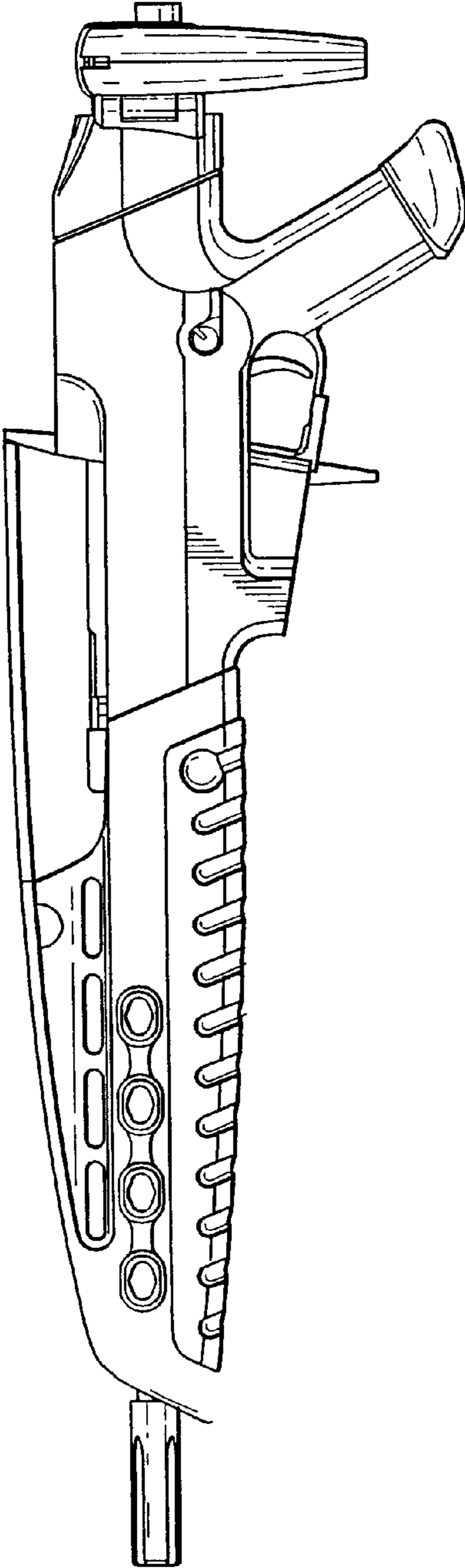


Fig. 15



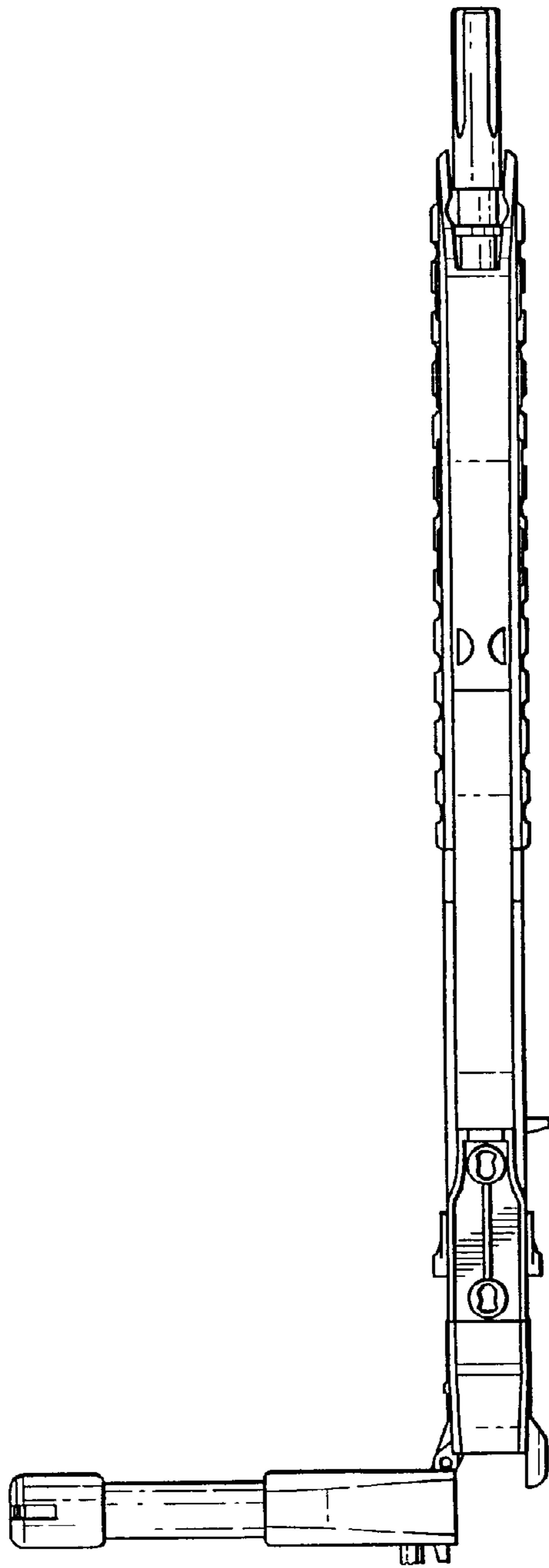


Fig. 16

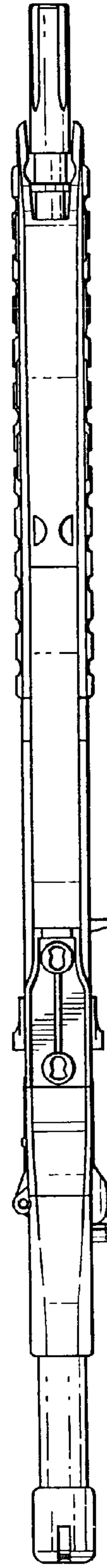


Fig. 17

Fig. 18

