



US00D516659S

(12) **United States Design Patent**
Chiang

(10) **Patent No.:** **US D516,659 S**
(45) **Date of Patent:** **** Mar. 7, 2006**

(54) **UNDERWATER FUN TOY**

(76) **Inventor:** **Herman Chiang**, 11F-2, No. 634-9,
Ching-Ping Rd., Chung-Ho City, Taipei
Hsien (TW)

(**) **Term:** **14 Years**

(21) **Appl. No.:** **29/221,525**

(22) **Filed:** **Jan. 19, 2005**

(51) **LOC (8) Cl.** **21-02**

(52) **U.S. Cl.** **D21/801; D21/803**

(58) **Field of Classification Search** D21/801,
D21/803, 810, 808, 769, 770, 436, 443, 444,
D21/447, 451, 455, 459-464; 446/153, 156,
446/159, 46, 48; 273/350; 482/55; 441/136,
441/67; 472/128; 473/466; D12/6

See application file for complete search history.

(56) **References Cited**

U.S. PATENT DOCUMENTS

D225,250 S	*	11/1972	Sun	D21/444
3,774,564 A	*	11/1973	Bondon et al.	114/245
4,065,873 A	*	1/1978	Jones	446/37
D256,825 S	*	9/1980	Phillips	D21/803
D276,740 S	*	12/1984	Stockvis	D21/451
4,940,441 A	*	7/1990	Novinsky	446/46
D317,335 S	*	6/1991	Lovik	D21/440

D362,470 S	*	9/1995	Smith	D21/443
D386,223 S	*	11/1997	Imai	D21/444
5,853,311 A	*	12/1998	Bartholomew	446/48
5,984,753 A	*	11/1999	Perez	446/46
D443,670 S	*	6/2001	Eisch	D21/801
6,332,822 B1	*	12/2001	Greenberg et al.	446/153
D468,791 S	*	1/2003	Greenberg	D21/803
6,913,505 B1	*	7/2005	Chiang	446/153

* cited by examiner

Primary Examiner—Lucy Lieberman

(74) *Attorney, Agent, or Firm*—Troxell Law Office, PLLC

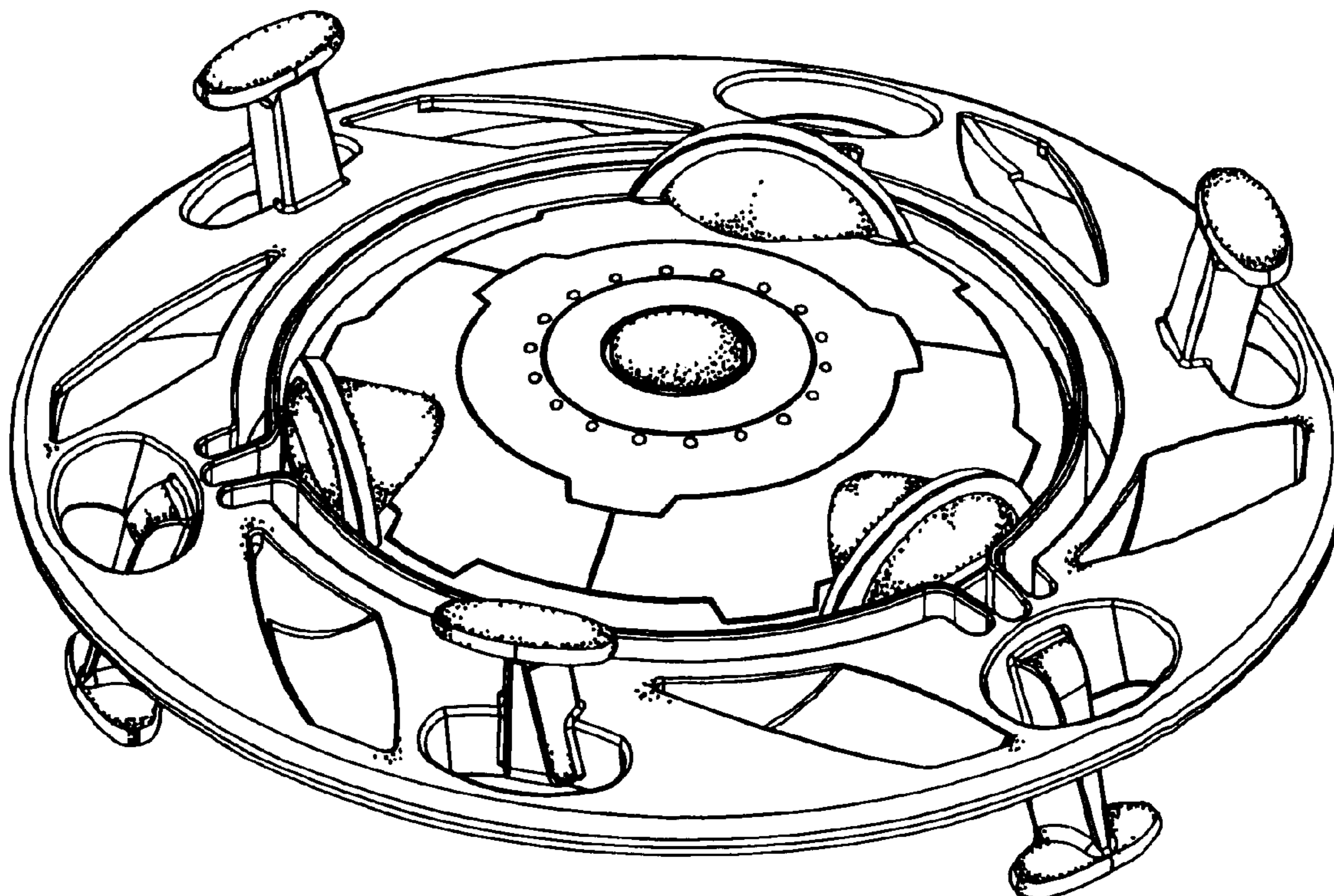
(57) **CLAIM**

The ornamental design for an underwater fun toy, as shown and described.

DESCRIPTION

FIG. 1 is a top, front and right side perspective view of an underwater fun toy showing my new design; FIG. 2 is a front elevational view thereof; FIG. 3 is a rear elevational view thereof; FIG. 4 is a left side elevation thereof; FIG. 5 is a right side elevation thereof; FIG. 6 is a top plan view thereof; FIG. 7 is a bottom plan view thereof; and, FIG. 8 is an exploded perspective view thereof.

1 Claim, 5 Drawing Sheets



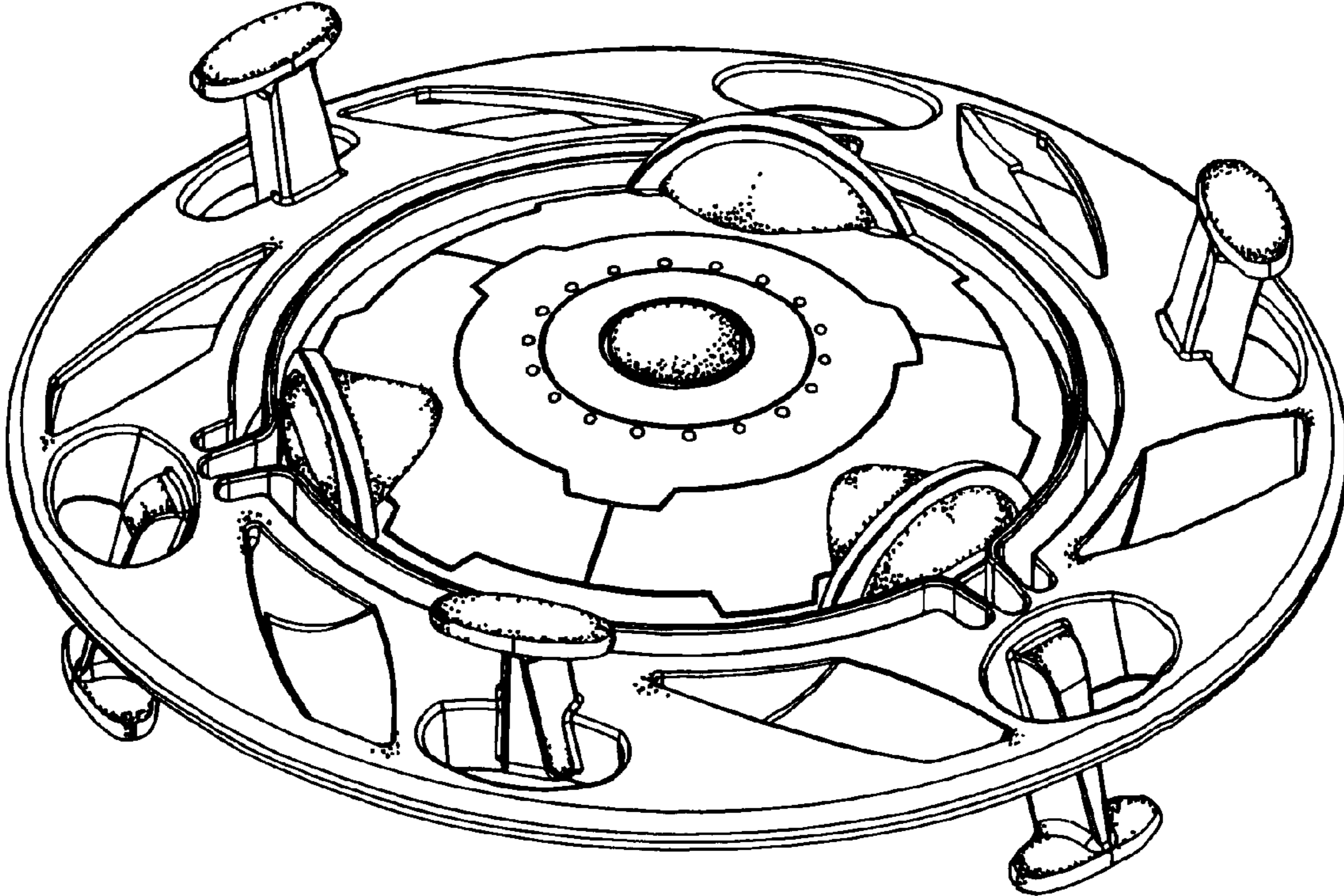


FIG. 1

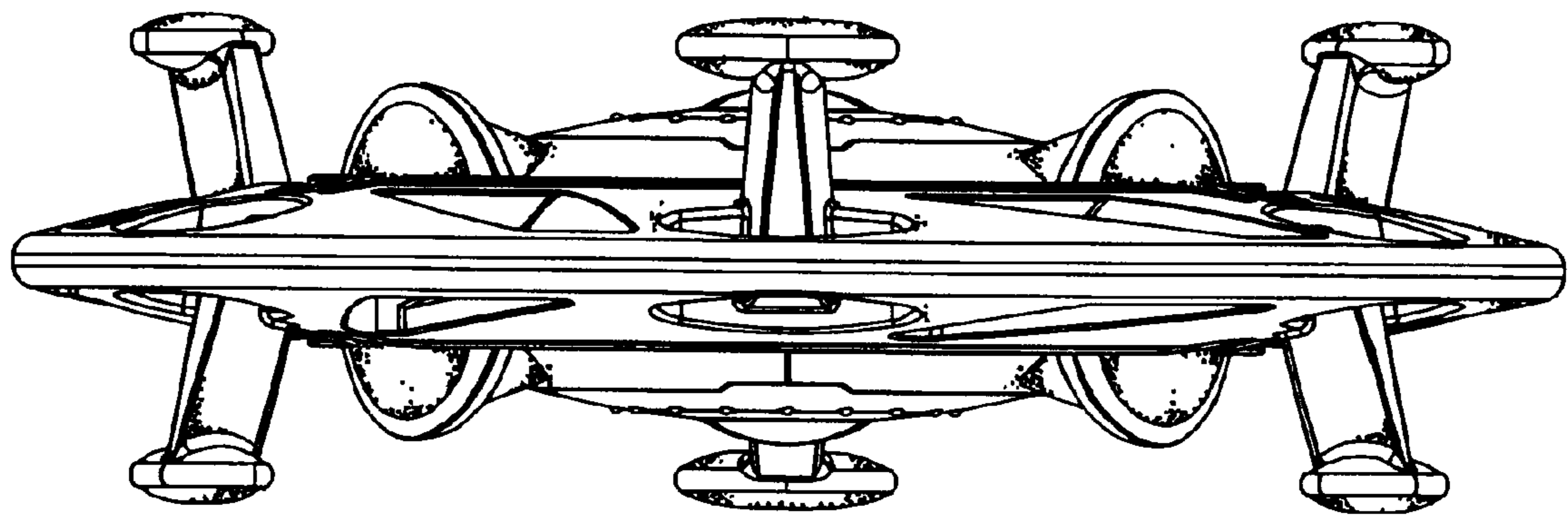


FIG. 2

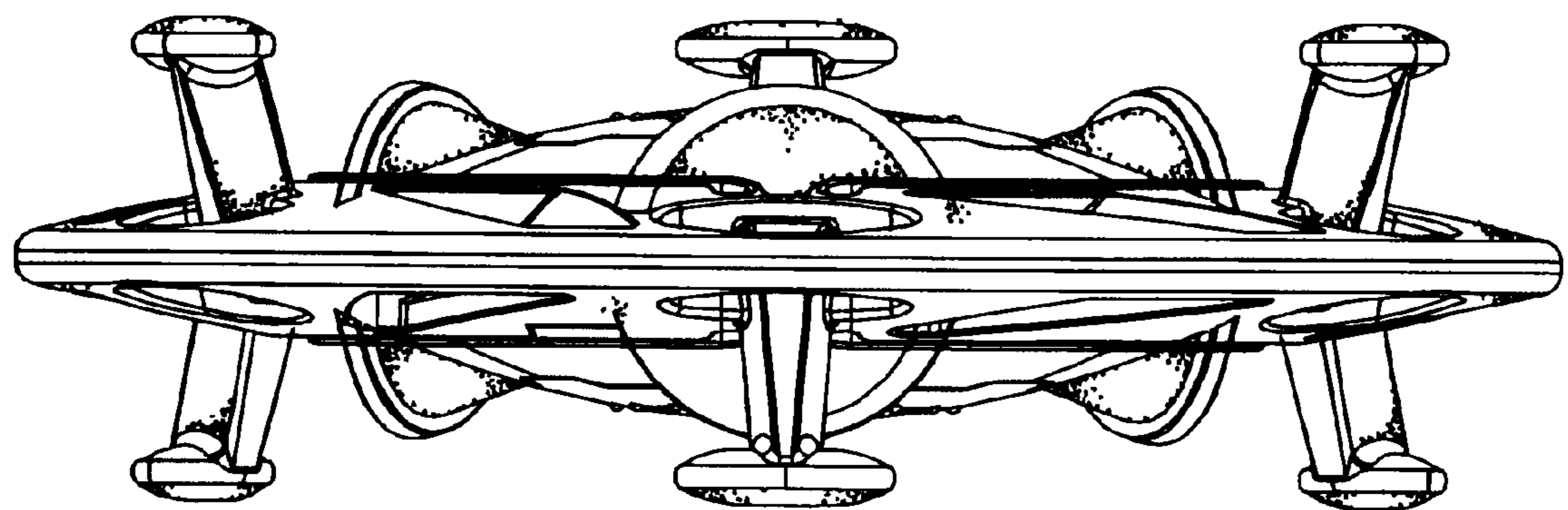


FIG. 3

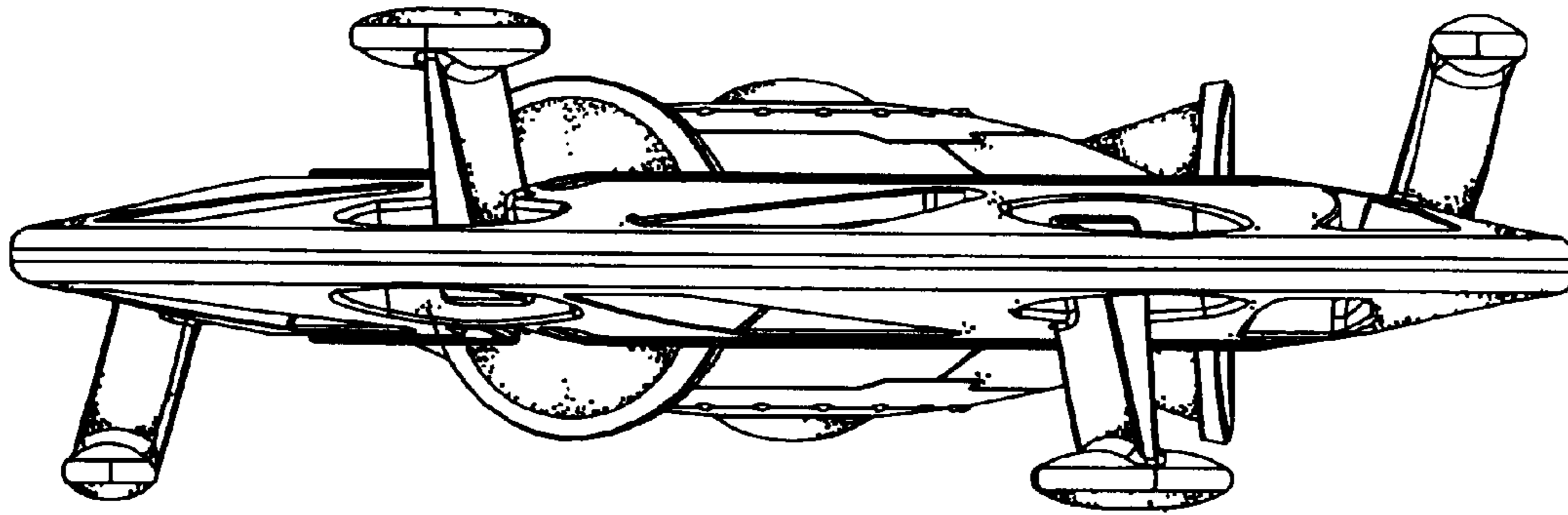


FIG. 4

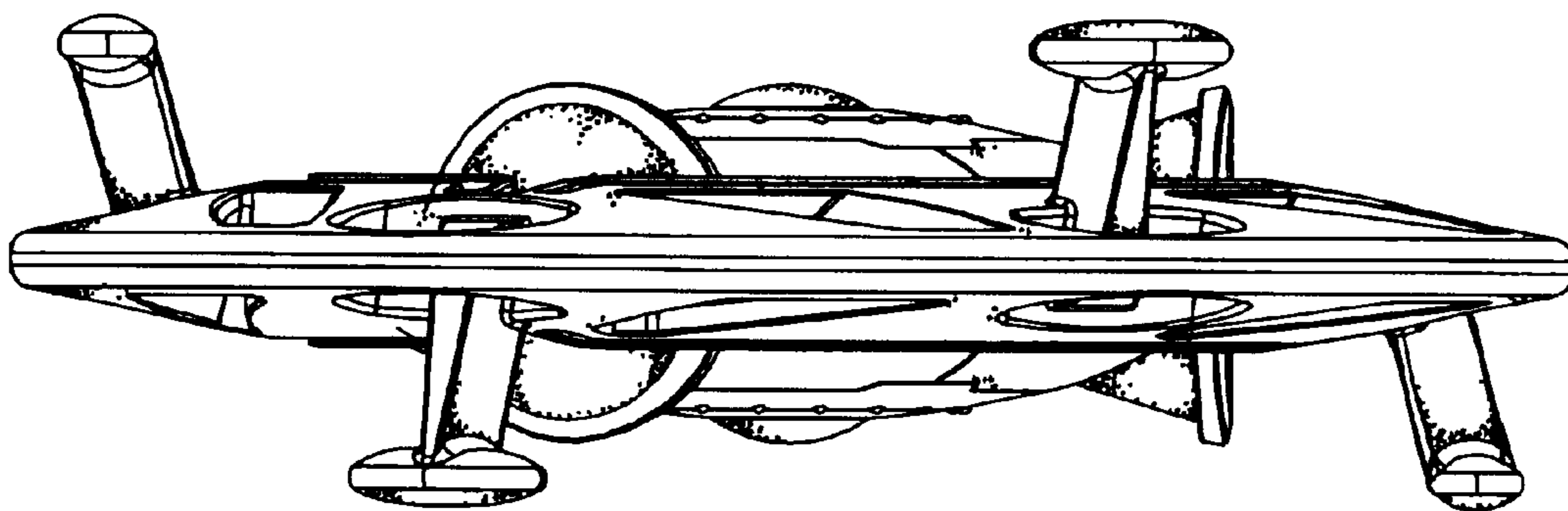


FIG. 5



FIG. 6

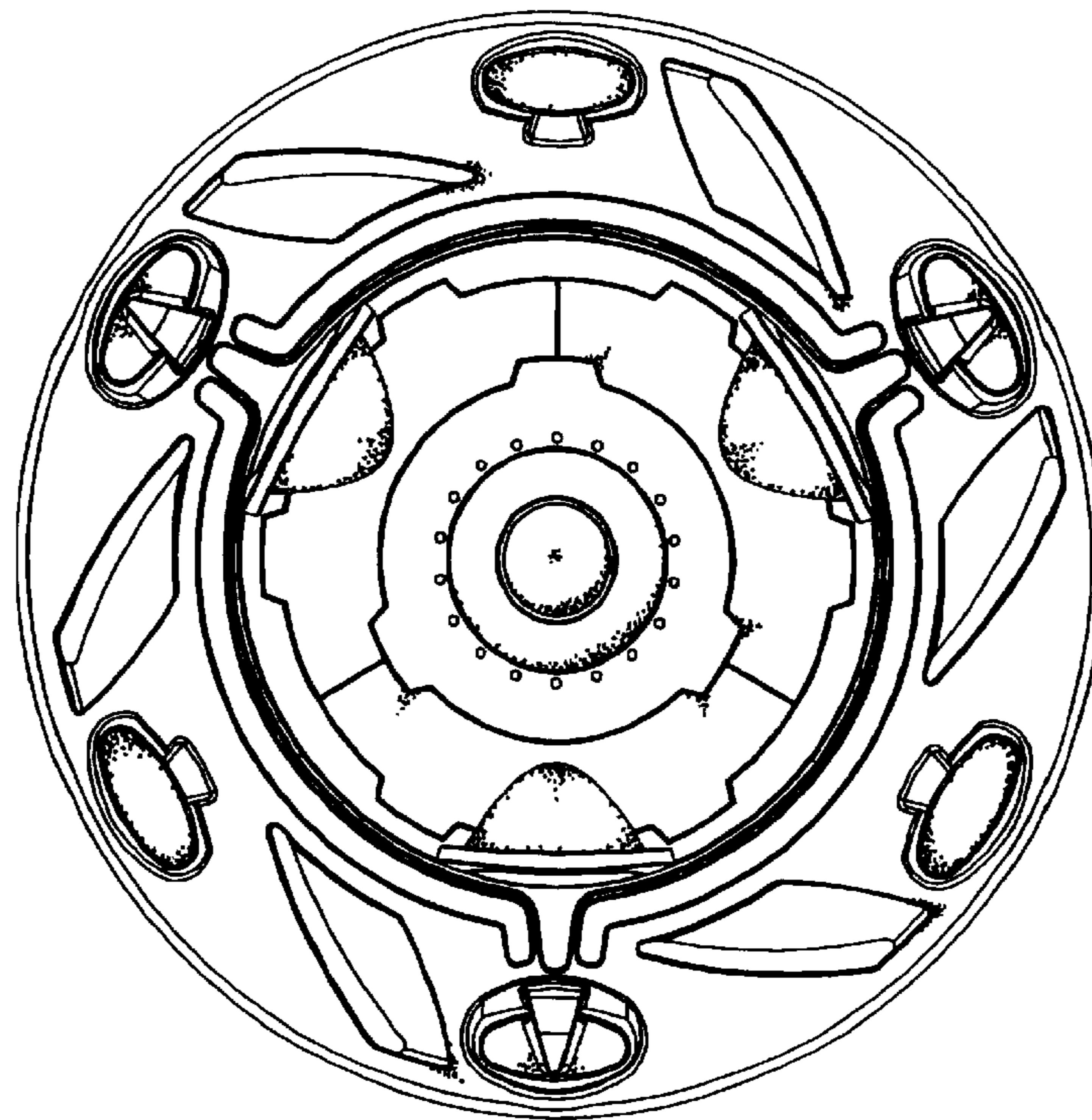


FIG. 7

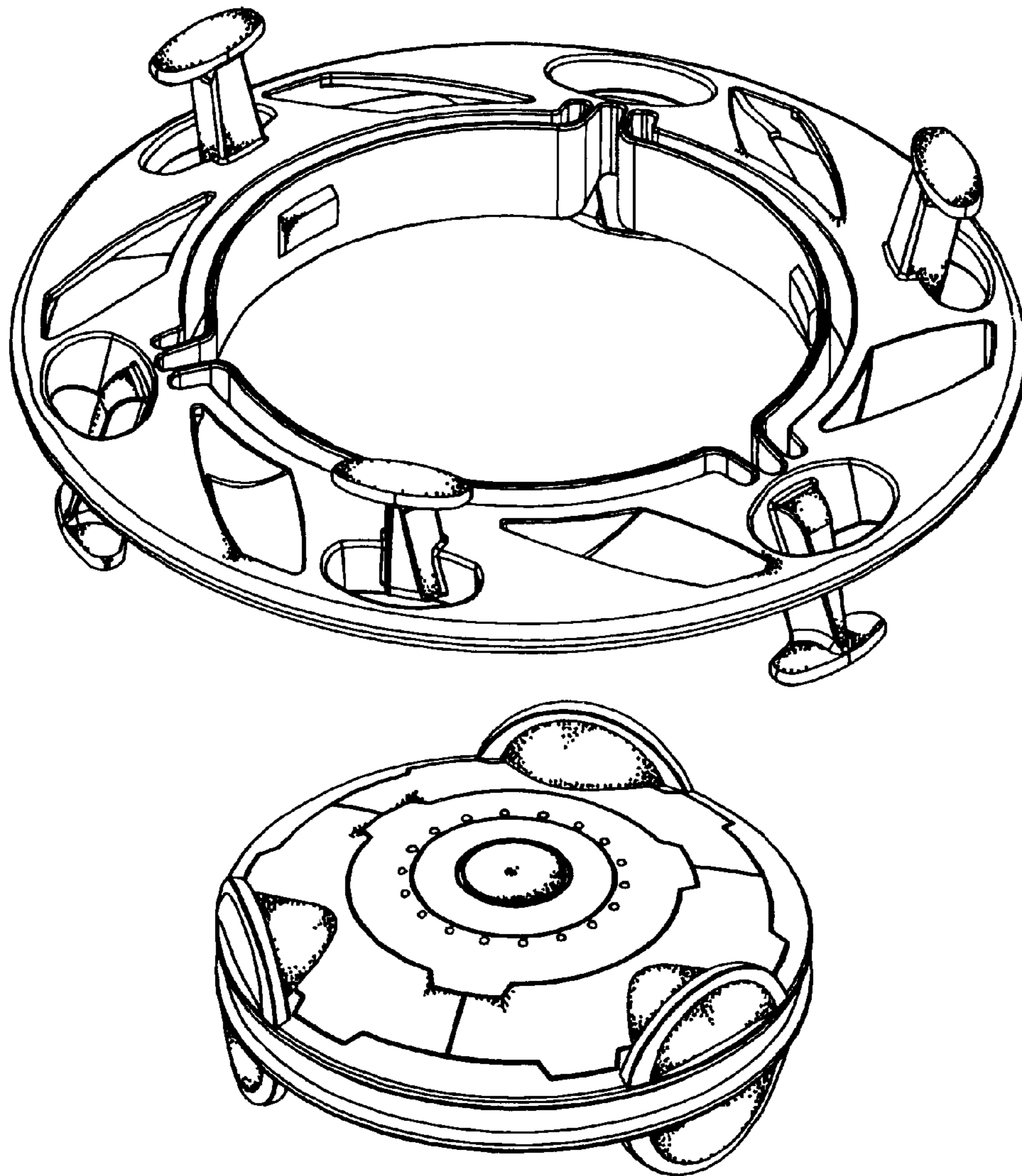


FIG. 8