

US00D516649S

(12) **United States Design Patent**  
**Imamoto**

(10) **Patent No.:** **US D516,649 S**  
(45) **Date of Patent:** **\*\* Mar. 7, 2006**

- (54) **GOLF CLUB HEAD**
- (75) Inventor: **Yasunori Imamoto, Kawasaki (JP)**
- (73) Assignee: **Bridgestone Sports Co., Ltd., Tokyo (JP)**
- (\*\*) Term: **14 Years**
- (21) Appl. No.: **29/207,326**
- (22) Filed: **Jun. 14, 2004**
- (30) **Foreign Application Priority Data**  
Dec. 11, 2003 (KR) ..... 30-2003-0035322
- (51) **LOC (8) Cl.** ..... **21-02**
- (52) **U.S. Cl.** ..... **D21/747**
- (58) **Field of Classification Search** ..... D21/747-751;  
473/324-331, 350  
See application file for complete search history.

JP	D705611	2/1987
JP	D1081916	6/2000
JP	D1137913	2/2002
JP	D1138238	2/2002
JP	D1144265	4/2002
JP	D1159091	4/2002
JP	D1159909	10/2002
JP	D1187858	8/2003
JP	D1188174	8/2003
JP	D1188175	8/2003
JP	D1188661	9/2003
JP	D1188704	9/2003
JP	D1188705	9/2003

\* cited by examiner

*Primary Examiner*—Mitchell Siegel  
(74) *Attorney, Agent, or Firm*—Drinker Biddle & Reath LLP

(57) **CLAIM**

The ornamental design for a golf club head, as shown.

(56) **References Cited**

**U.S. PATENT DOCUMENTS**

D203,936 S	*	3/1966	Long	.....	D21/750
D215,608 S	*	10/1969	Lysaght	.....	D21/747
D244,558 S		5/1977	Elkins, Jr.		
D401,637 S		11/1998	Best et al.		
D426,276 S	*	6/2000	Besnard et al.	.....	D21/747
D432,611 S		10/2000	McCabe et al.	.....	D21/759
D435,277 S		12/2000	Erickson et al.	.....	D21/747
D436,149 S		1/2001	Helmstetter et al.	.....	D21/748
D453,949 S		2/2002	Helmstetter et al.	.....	D21/747
D454,606 S		3/2002	Helmstetter et al.	.....	D21/747
D465,252 S		11/2002	McCabe	.....	D21/759
D466,960 S		12/2002	Imamoto	.....	D21/747
D469,832 S	*	2/2003	Bode et al.	.....	D21/747
D475,107 S		5/2003	Madore	.....	D21/759
D479,568 S		9/2003	Rodgers et al.	.....	D21/747
D503,202 S	*	3/2005	Wood et al.	.....	D21/747

**FOREIGN PATENT DOCUMENTS**

JP D493313 10/1978

**DESCRIPTION**

FIG. 1 is a perspective view of an embodiment of a golf club head in accordance with my new design.

FIG. 2 is a front view of the embodiment of a golf club head in accordance with my new design.

FIG. 3 is a rear view of the embodiment of a golf club head in accordance with my new design.

FIG. 4 is a top view of the embodiment of a golf club head in accordance with my new design.

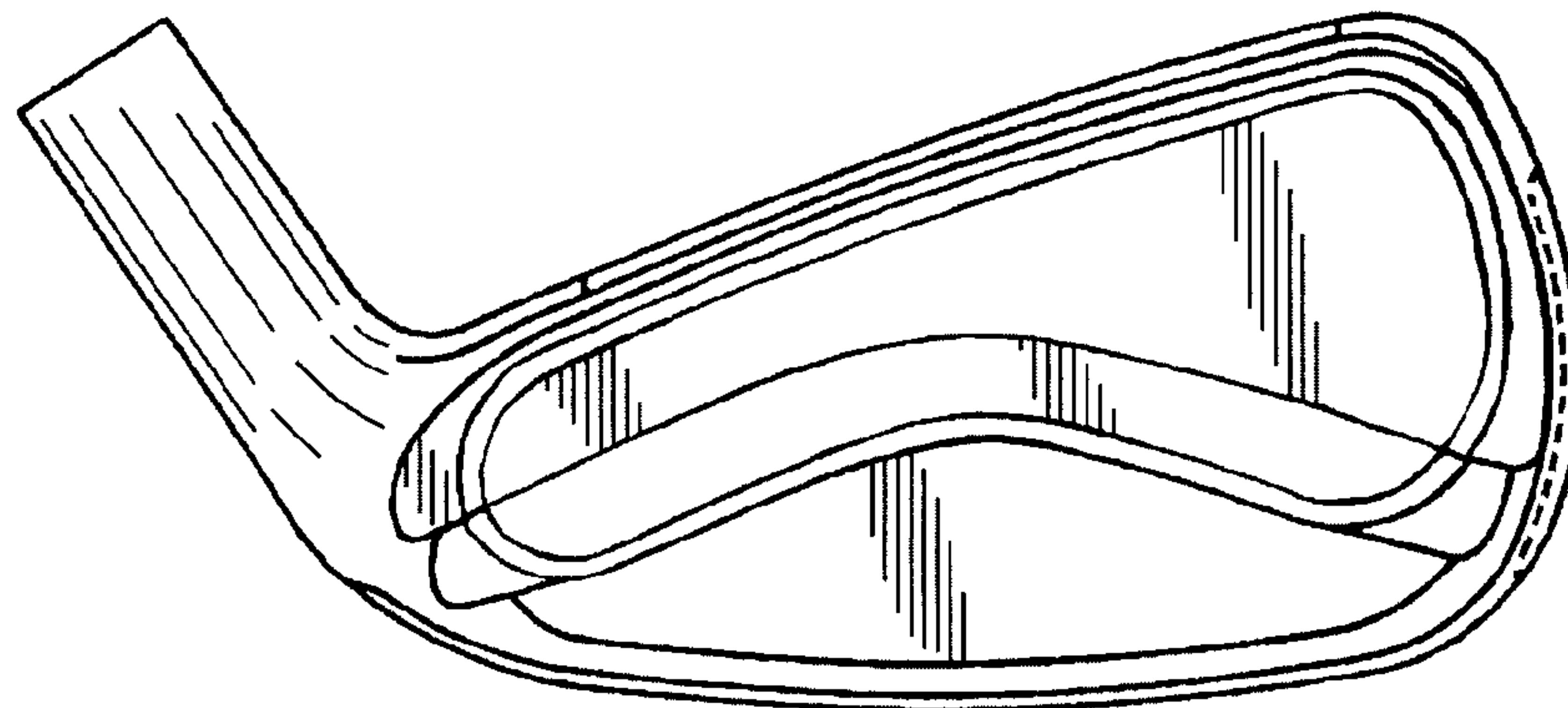
FIG. 5 is a bottom view of the embodiment of a golf club head in accordance with my new design.

FIG. 6 is a right-side view of the embodiment of a golf club head in accordance with my new design; and,

FIG. 7 is a left-side view of the embodiment of a golf club head in accordance with my new design.

The broken line showing is for illustrative purposes only and forms no part of the claimed design.

**1 Claim, 2 Drawing Sheets**



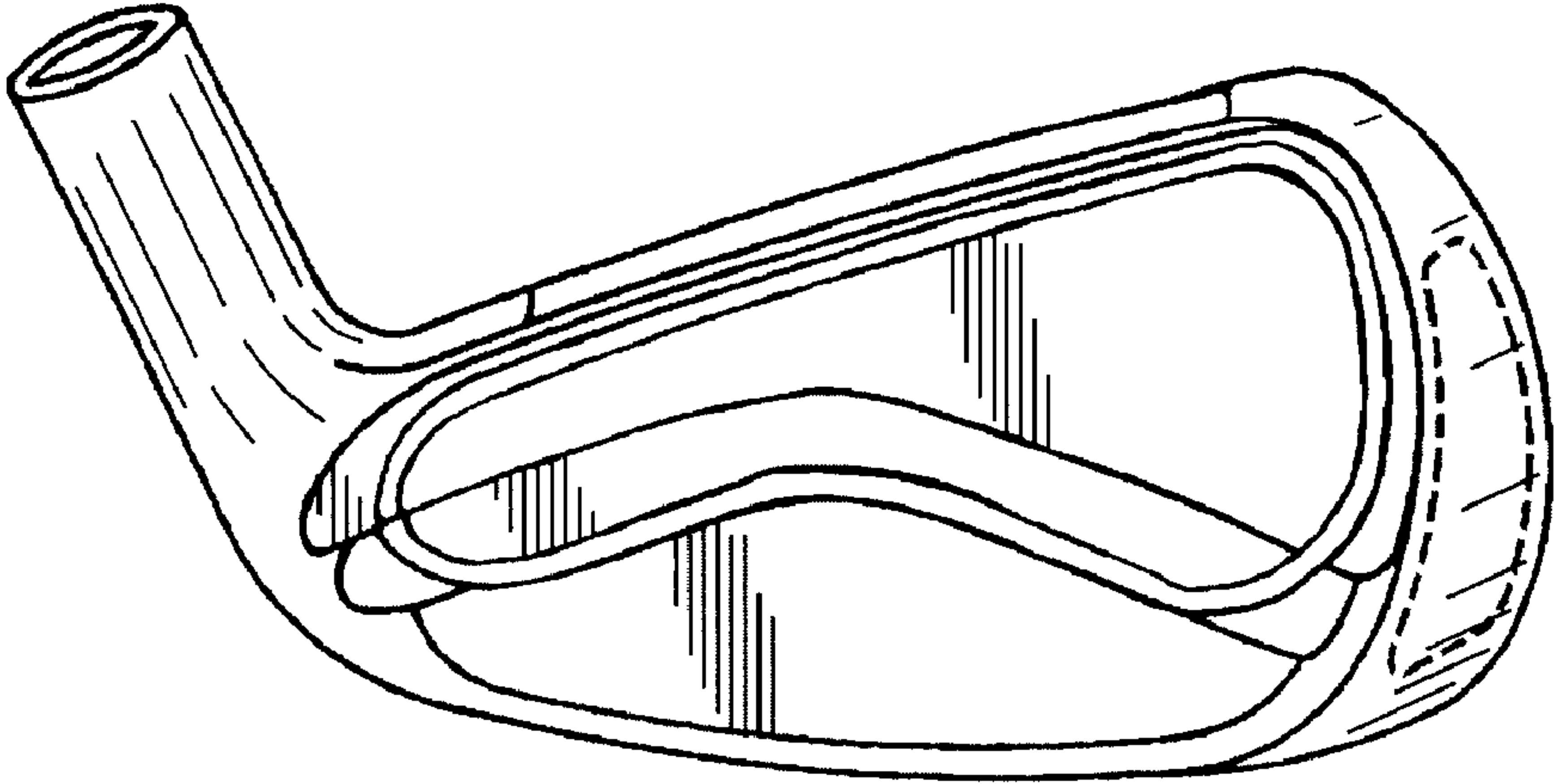


FIG. 1

FIG. 2

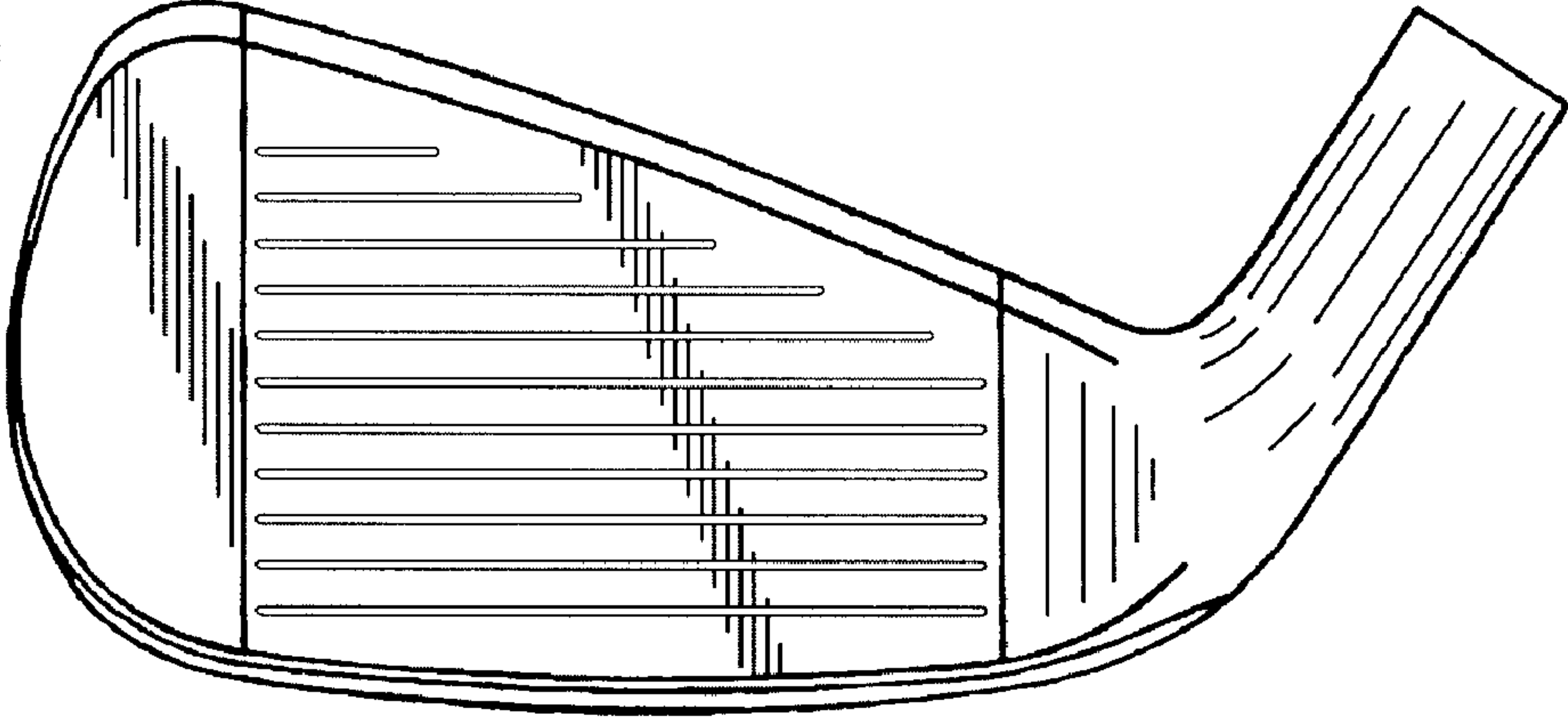


FIG. 3

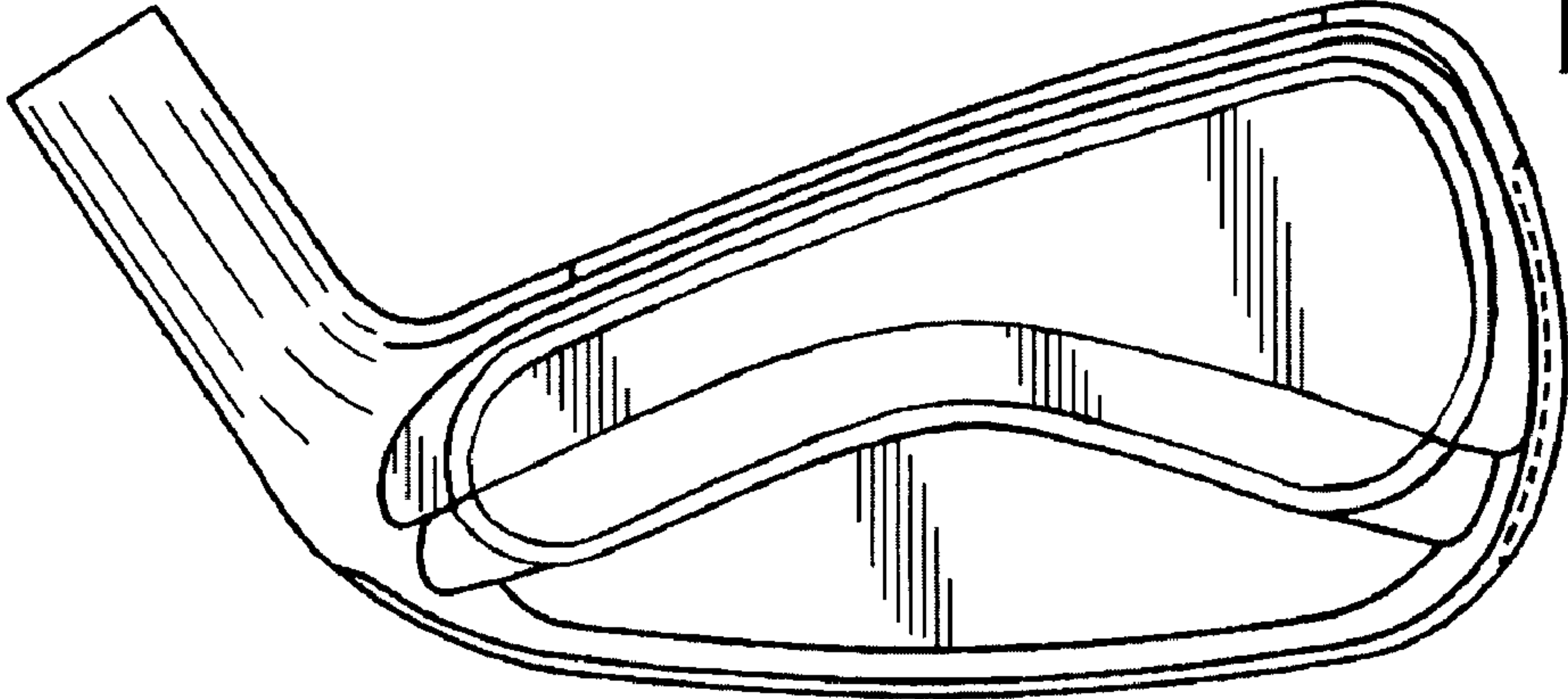


FIG. 4

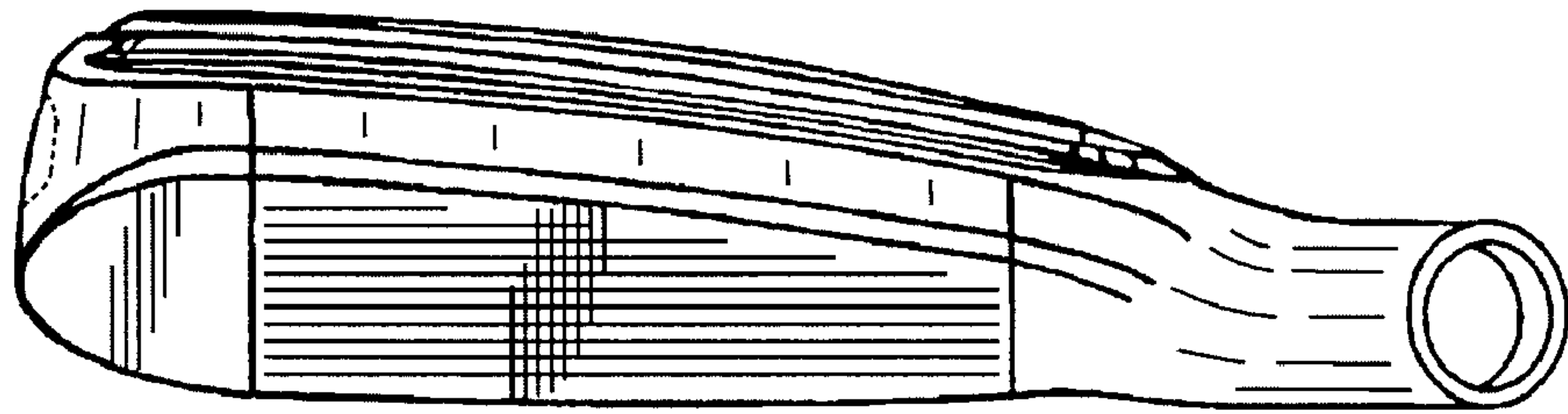


FIG. 5

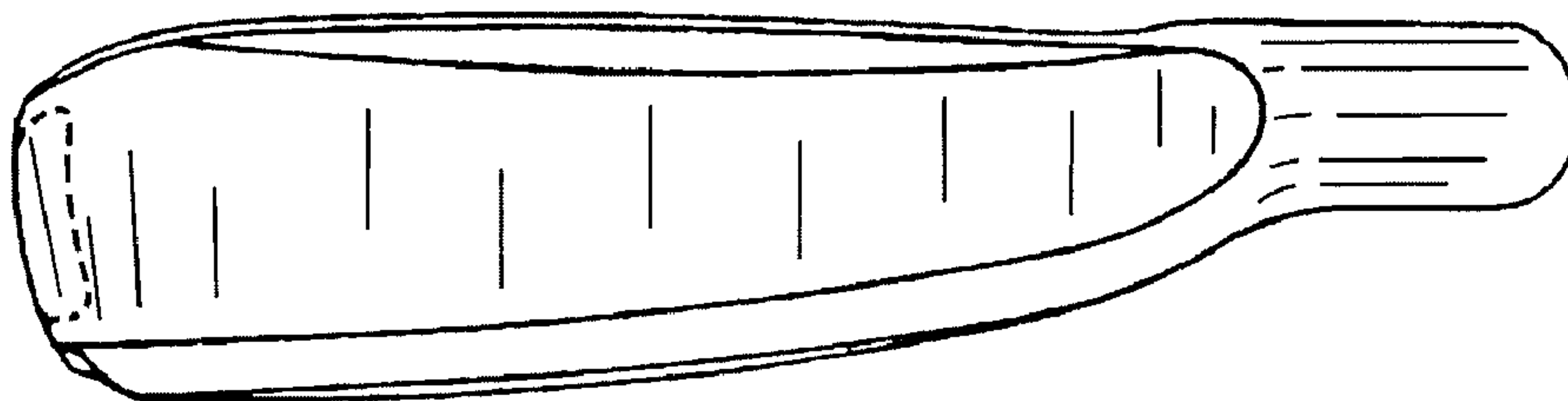


FIG. 6

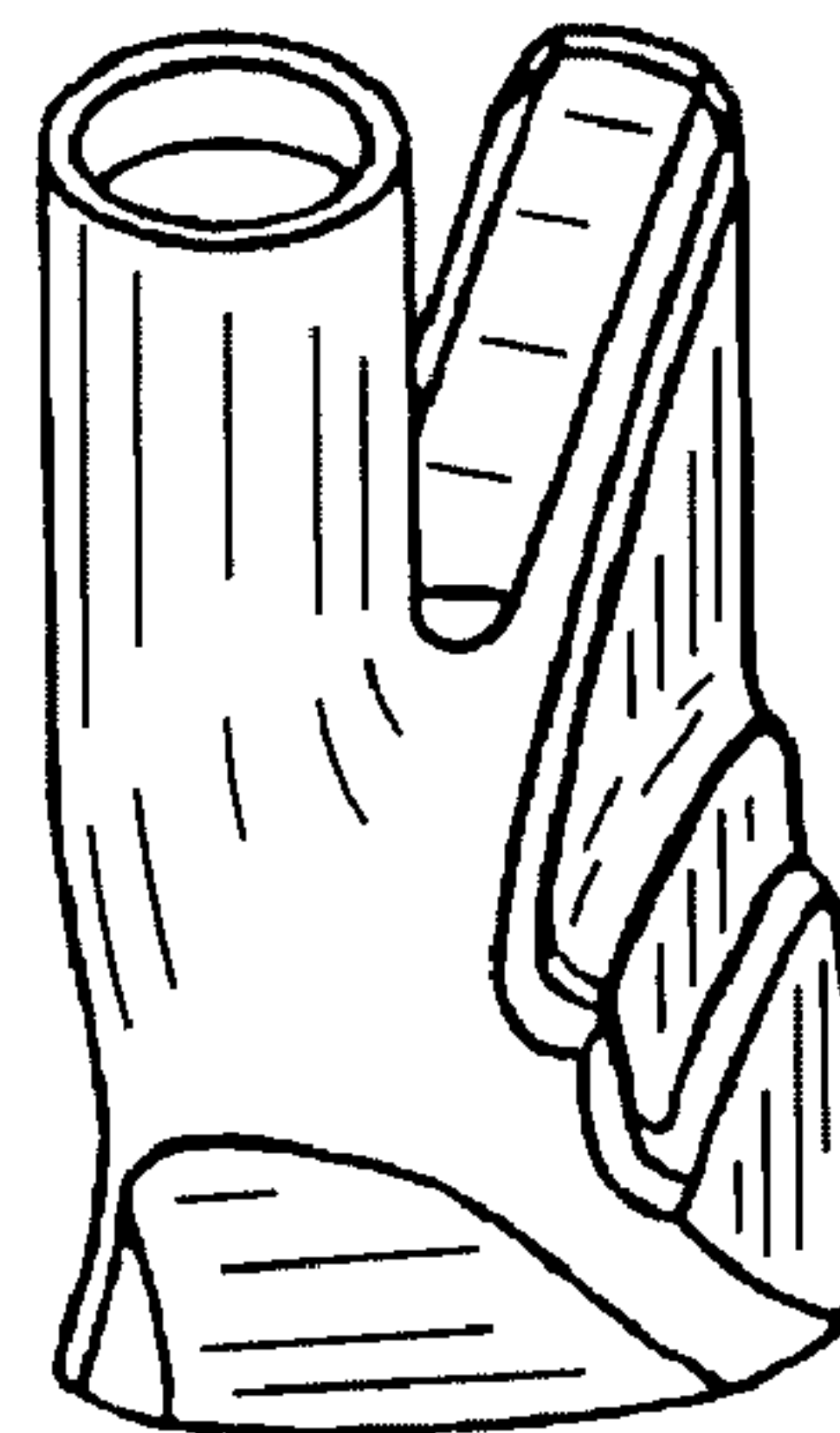


FIG. 7

