



US00D516648S

(12) **United States Design Patent**
Lee et al.

(10) **Patent No.:** **US D516,648 S**
(45) **Date of Patent:** **** Mar. 7, 2006**

(54) **GOLF TEE**

(76) Inventors: **Hyung Choon Lee**, 86-18,
Dodang-dong, Wonmi-gu, Bucheon-si,
Kyungki-do, 420-803 (KR); **Seong Eun**
Lee, 86-1, Dodang-dong, Wonmi-qu,
Bucheon-si, Kyungki-do, 420-803 (KR)

(**) **Term:** **14 Years**

(21) **Appl. No.:** **29/221,999**

(22) **Filed:** **Jan. 26, 2005**

(30) **Foreign Application Priority Data**

Nov. 20, 2004 (KR) 30-2004-0035523

(51) **LOC (8) Cl.** **21-02**

(52) **U.S. Cl.** **D21/718**

(58) **Field of Classification Search** D21/715-721,
D21/789-796; 473/386-403

See application file for complete search history.

(56) **References Cited**

U.S. PATENT DOCUMENTS

4,418,916 A * 12/1983 Matsuura 473/396
5,413,348 A * 5/1995 Basso 473/393
D401,988 S * 12/1998 Shin D21/718
6,783,470 B2 * 8/2004 Lee 473/401

FOREIGN PATENT DOCUMENTS

AU 2003100408 A4 * 8/2003
JP 01190375 A * 7/1989

JP 08215359 A * 8/1996
KR 2003028258 A * 4/2003
KR 2003044221 A * 6/2003

* cited by examiner

Primary Examiner—Catherine Tuttle
(74) *Attorney, Agent, or Firm*—Birch, Stewart, Kolasch &
Birch, LLP

(57) **CLAIM**

The ornamental design for a golf tee, as shown and described.

DESCRIPTION

FIG. 1 is a perspective view of the golf tee showing our new design;

FIG. 2 is a front view thereof;

FIG. 3 is a rear view thereof;

FIG. 4 is a left side view thereof;

FIG. 5 is a right side view thereof;

FIG. 6 is a top view thereof;

FIG. 7 is a bottom view thereof;

FIG. 8 is a reduced scale cross sectional view taken along line 8—8 of FIG. 6; and,

FIG. 9 is a reduced scale elevational view showing the design in association with another structure shown in broken lines.

The structure shown in broken lines in FIG. 9 is for illustrative purposes only and forms no part of the claimed design.

1 Claim, 9 Drawing Sheets

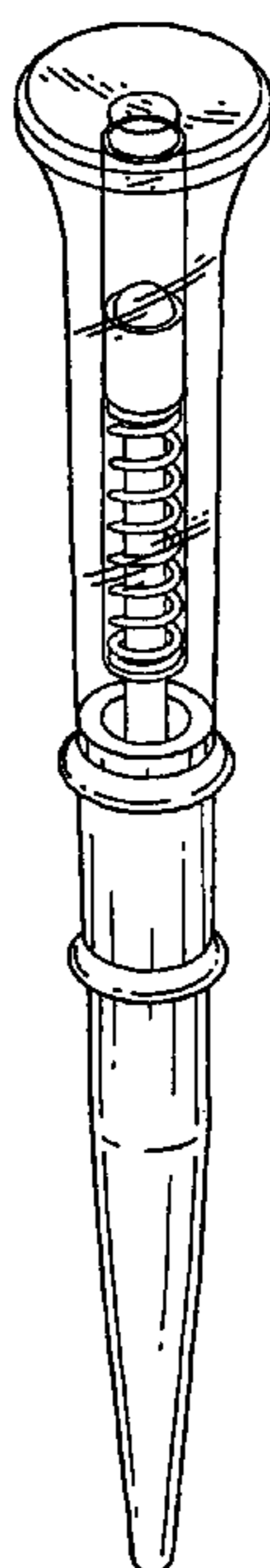


FIGURE 1

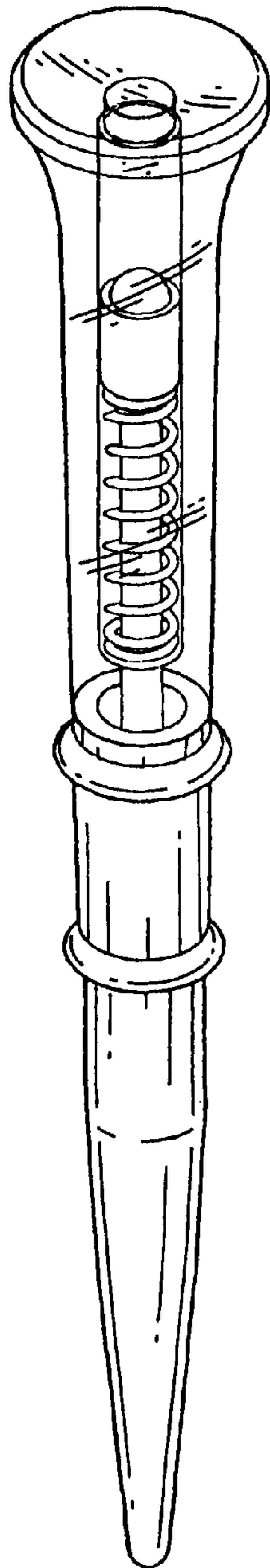


FIGURE 2

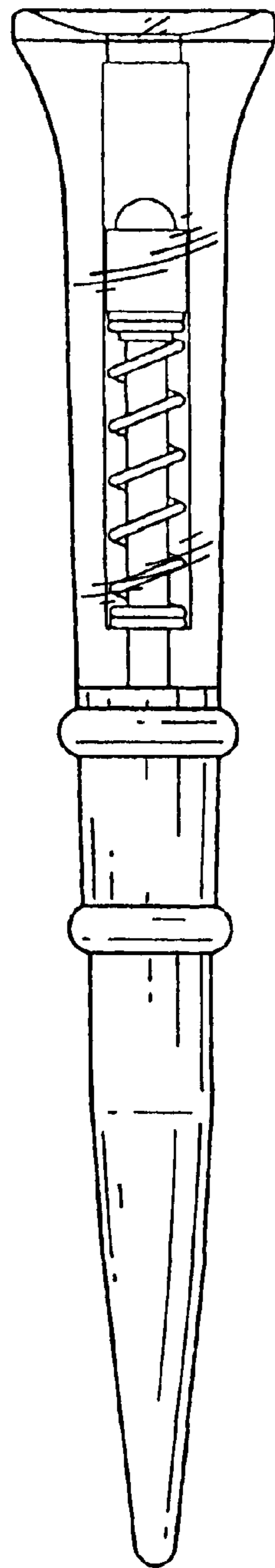


FIGURE 3

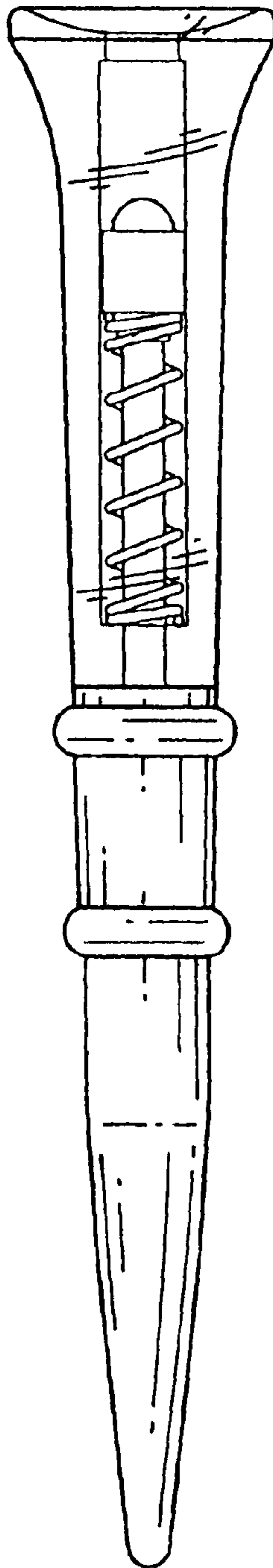


FIGURE 4

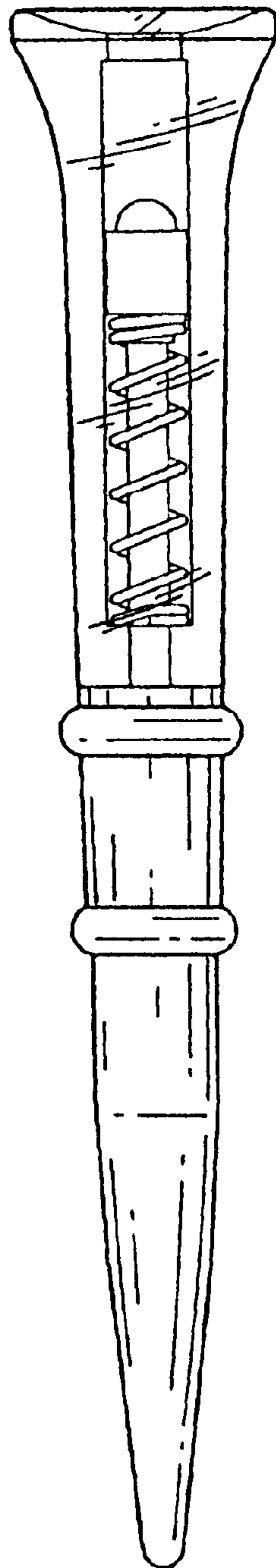


FIGURE 5

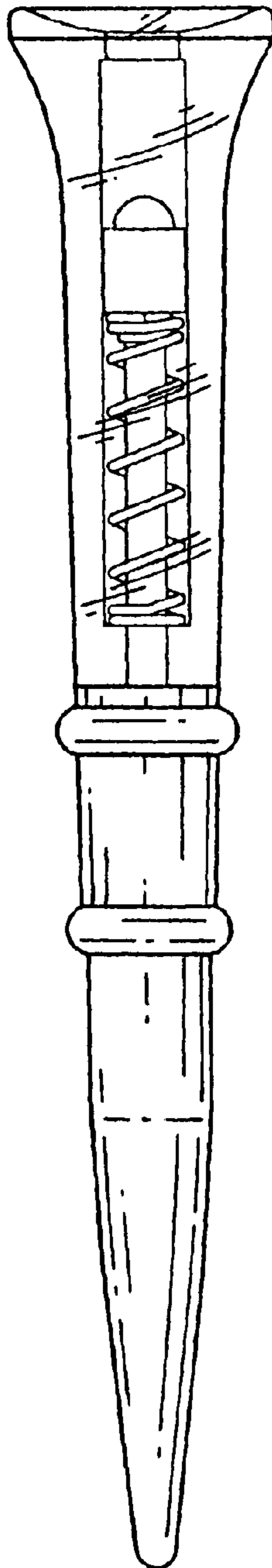


FIGURE 6

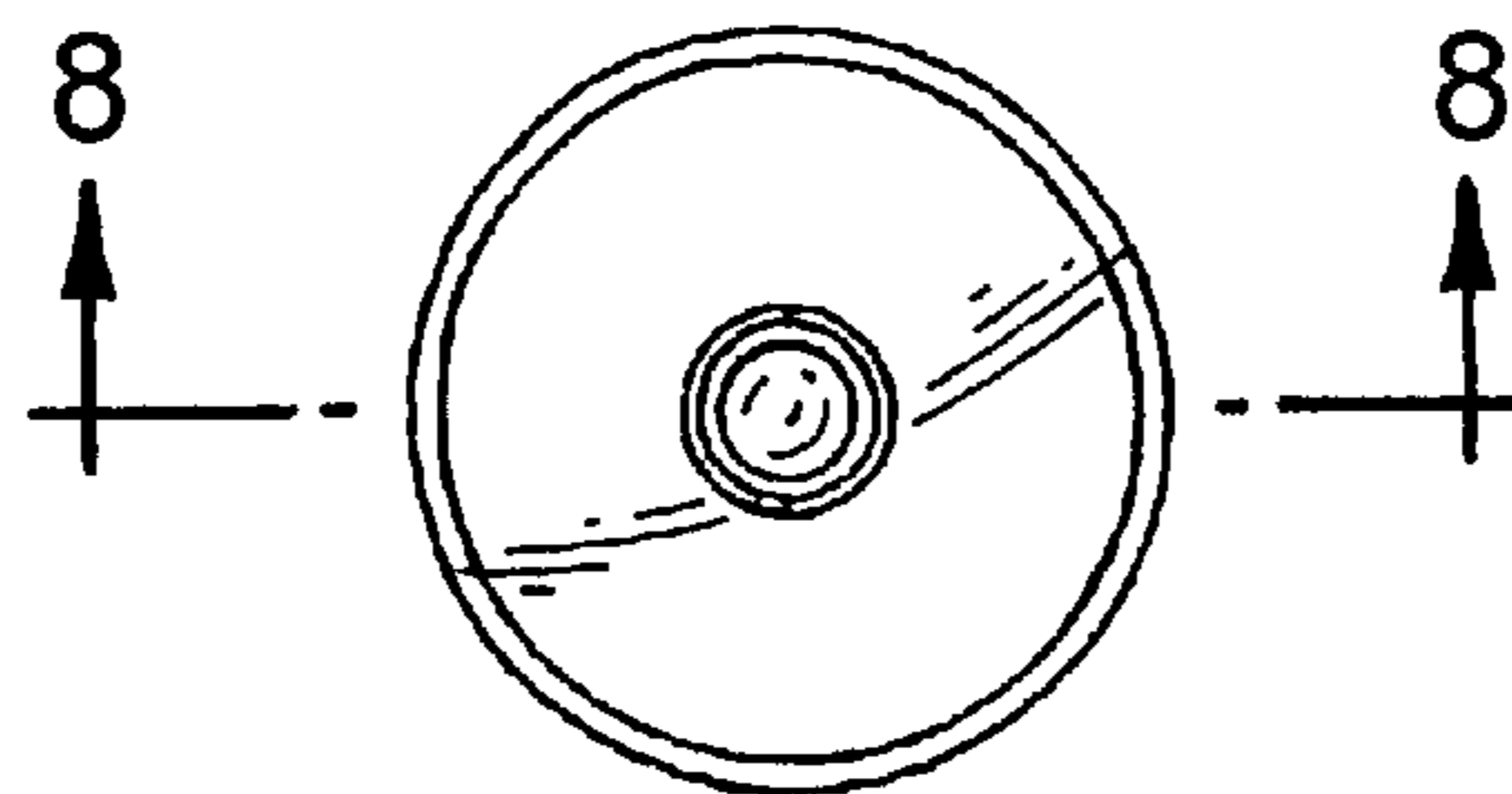


FIGURE 7

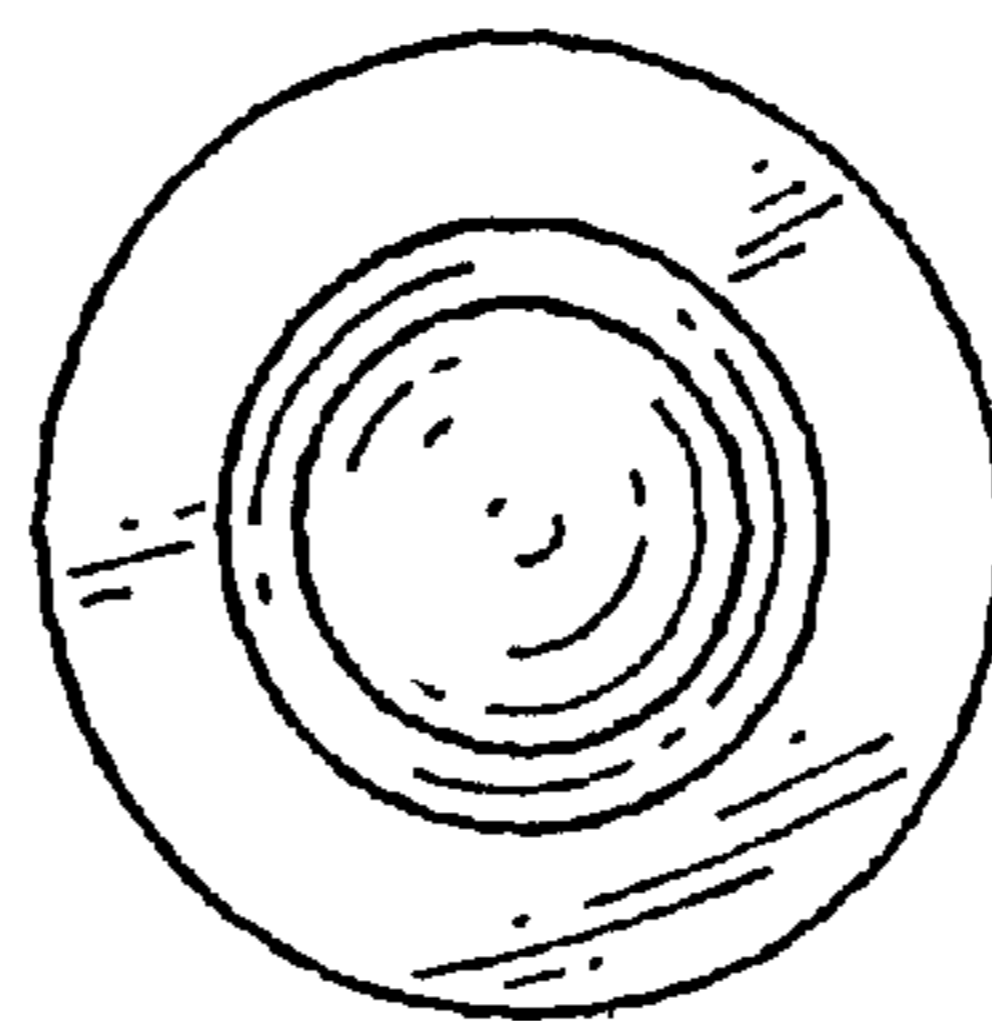


FIGURE 8

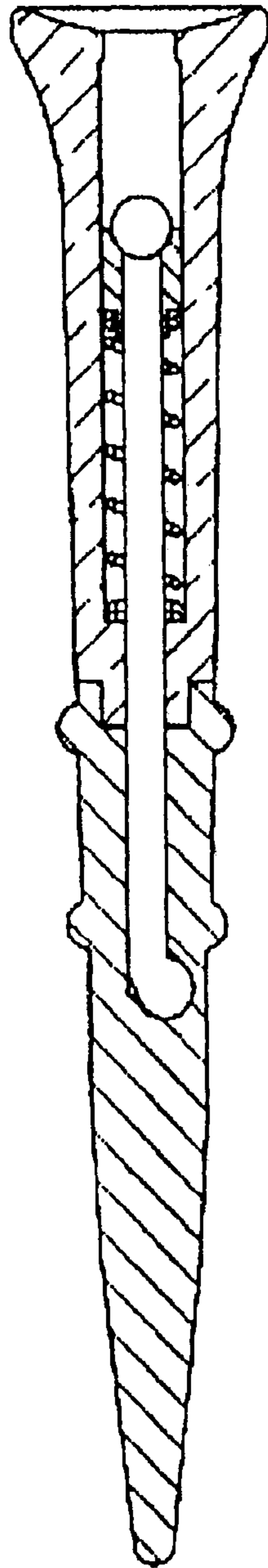


FIGURE 9

