



US00D516640S

(12) **United States Design Patent**
Shore

(10) **Patent No.:** **US D516,640 S**

(45) **Date of Patent:** **** Mar. 7, 2006**

(54) **BALL**

(76) **Inventor:** **Mitchel Shore**, 19 Erica Ave., Toronto,
Ontario (CA), M3N 3H3

(**) **Term:** **14 Years**

(21) **Appl. No.:** **29/222,715**

(22) **Filed:** **Feb. 4, 2005**

(51) **LOC (8) Cl.** **21-02**

(52) **U.S. Cl.** **D21/707**

(58) **Field of Classification Search** D21/707-714,
D21/372, 373, 385-389, 484, 499, 500, 503;
473/569-614; 273/146, 147; 446/122, 124,
446/125, 128

See application file for complete search history.

(56) **References Cited**

U.S. PATENT DOCUMENTS

563,170 A	*	6/1896	Haley et al.	473/595
D103,876 S	*	3/1937	Pickin	D21/386
2,521,703 A	*	9/1950	Emmitt	473/596
3,008,719 A	*	11/1961	Misko	273/144 A
D221,669 S	*	8/1971	Sector	D21/372

D317,805 S	*	6/1991	Swan	D21/707
D358,858 S	*	5/1995	McGreevy	D21/707
D372,749 S	*	8/1996	Klundt	D21/707
5,685,120 A	*	11/1997	Sihra	52/604
D404,085 S	*	1/1999	Golad et al.	D21/372
6,443,863 B1	*	9/2002	Dinoffer	473/595
D473,349 S	*	4/2003	Willinger	D30/160

* cited by examiner

Primary Examiner—Catherine Tuttle

(74) *Attorney, Agent, or Firm*—Bereskin & Parr

(57) **CLAIM**

The ornamental design for the “ball,” as shown and described.

DESCRIPTION

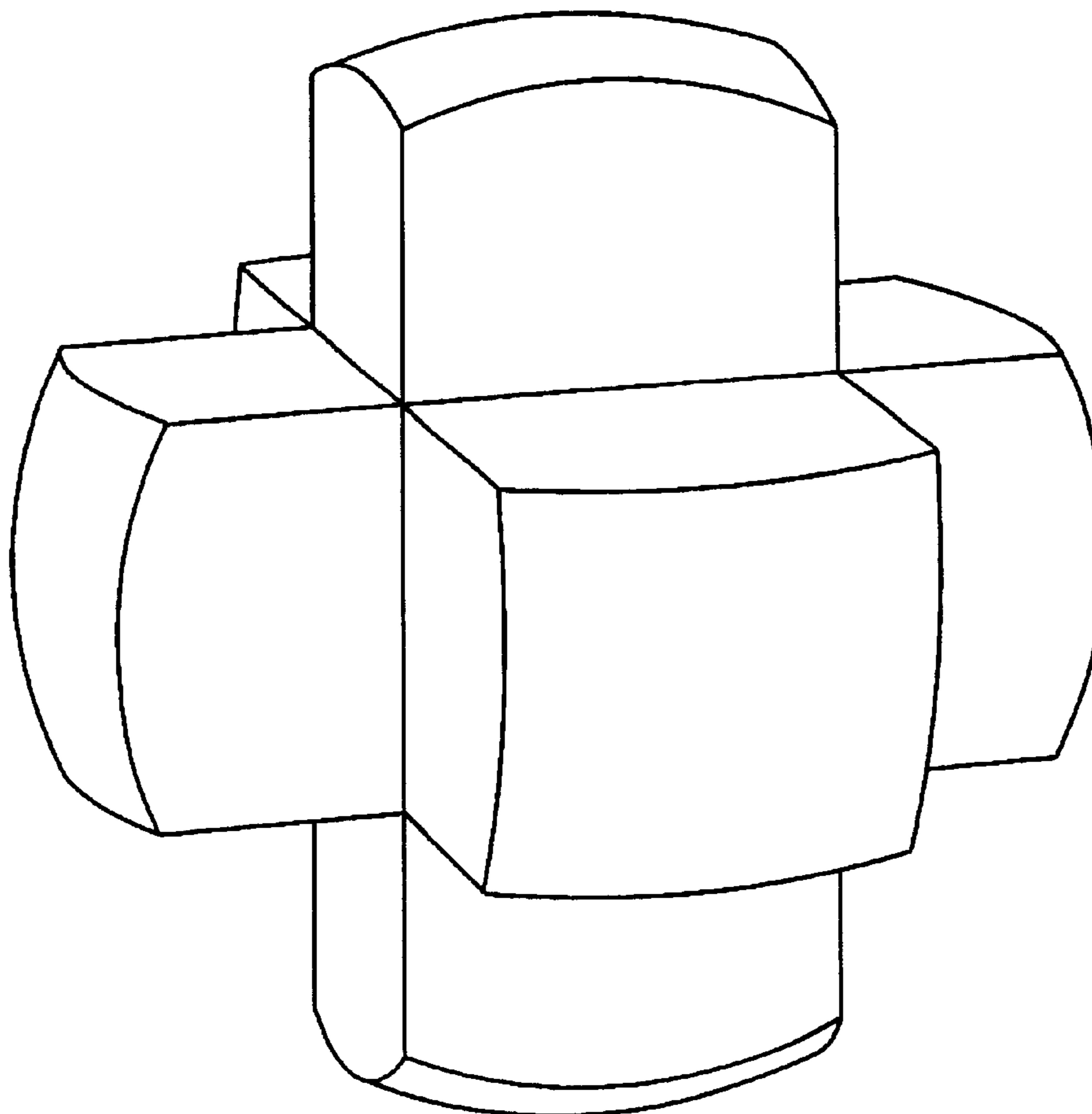
FIG. 1 is a perspective view of the ball.

FIG. 2 is a front view of the ball, the back view being an identical image.

FIG. 3 is a top view of the ball, the bottom view being an identical image; and,

FIG. 4 is a side view of the ball, the opposite side being an identical image.

1 Claim, 4 Drawing Sheets



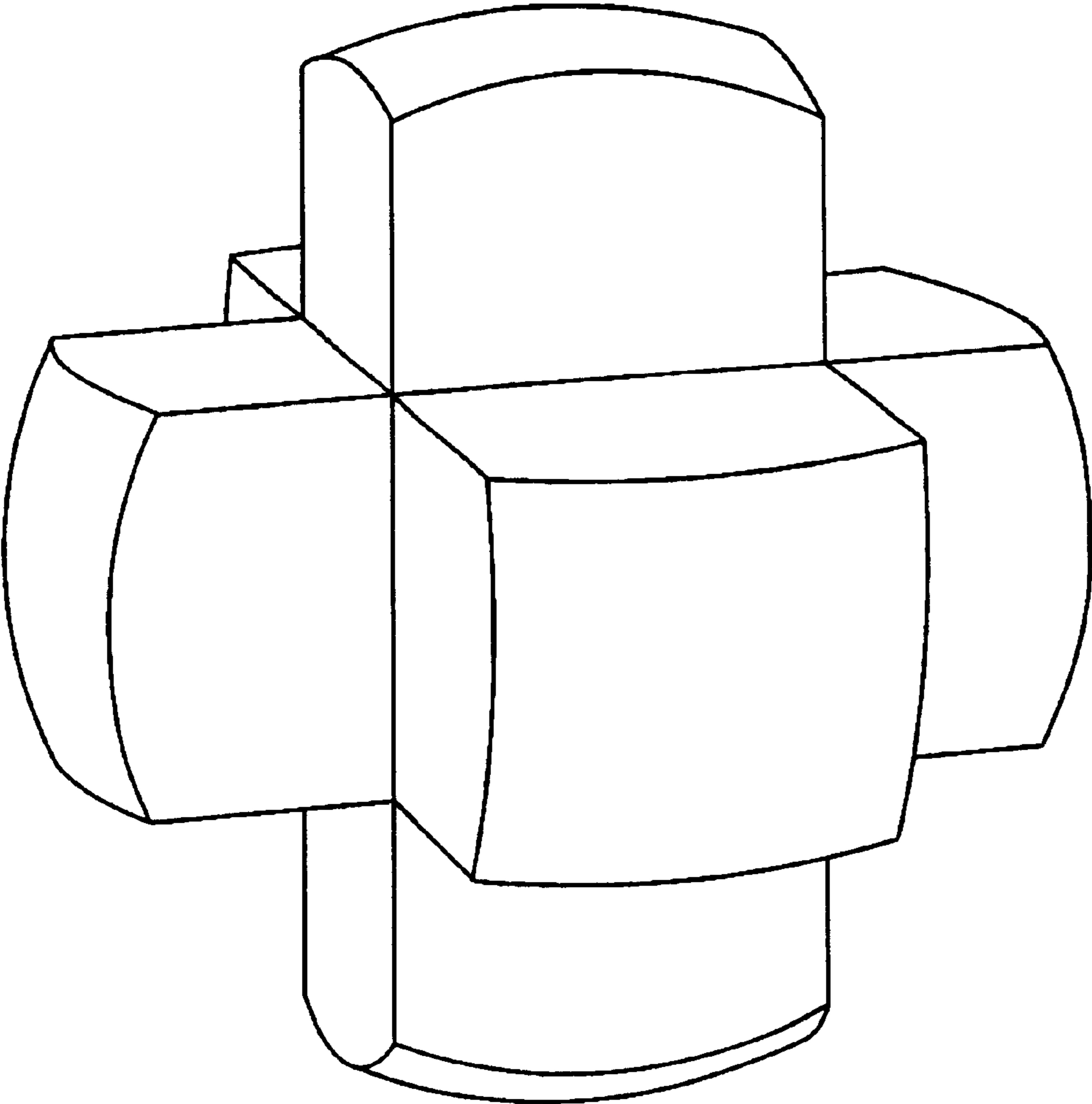


Figure 1

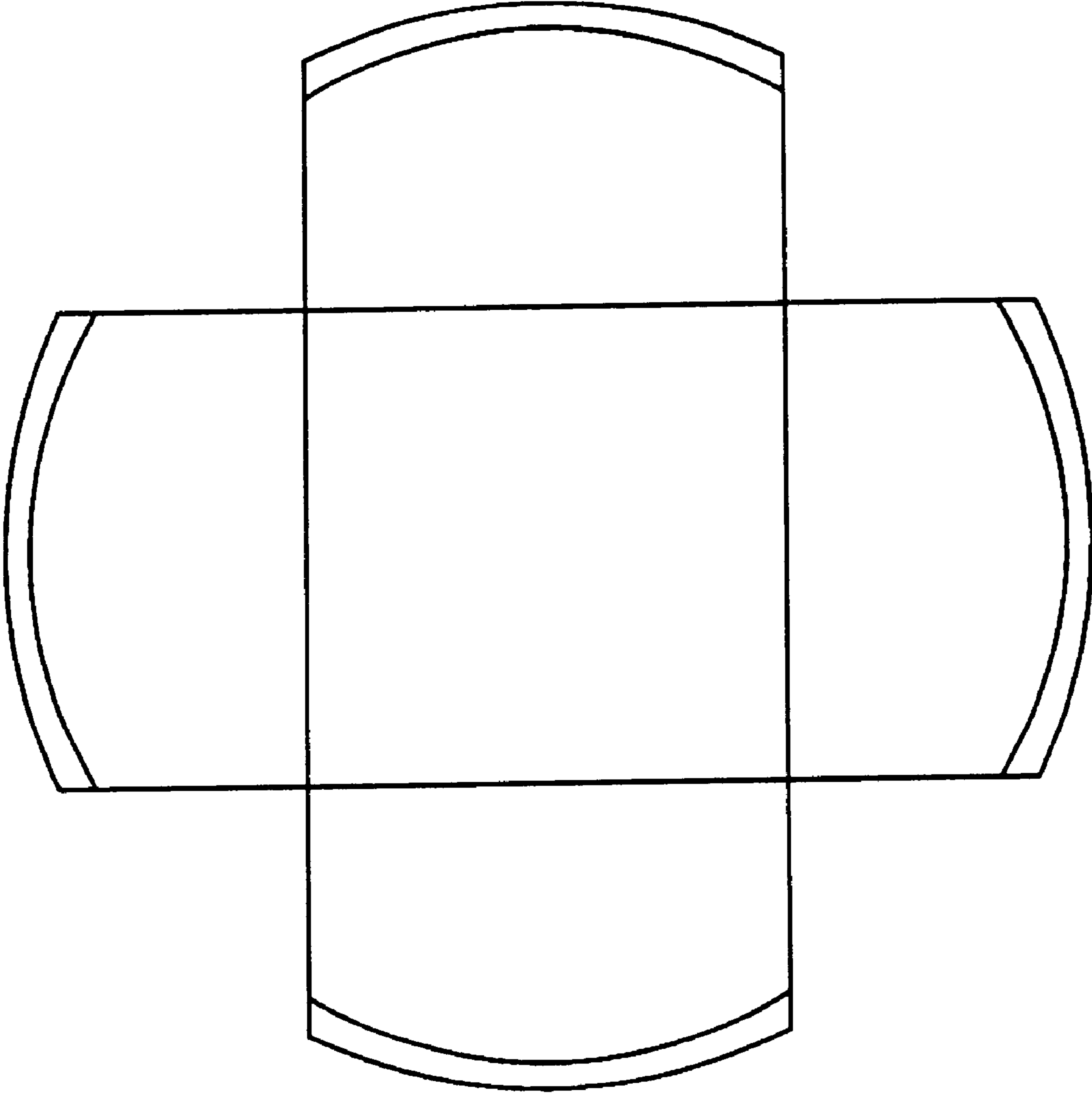


Figure 2

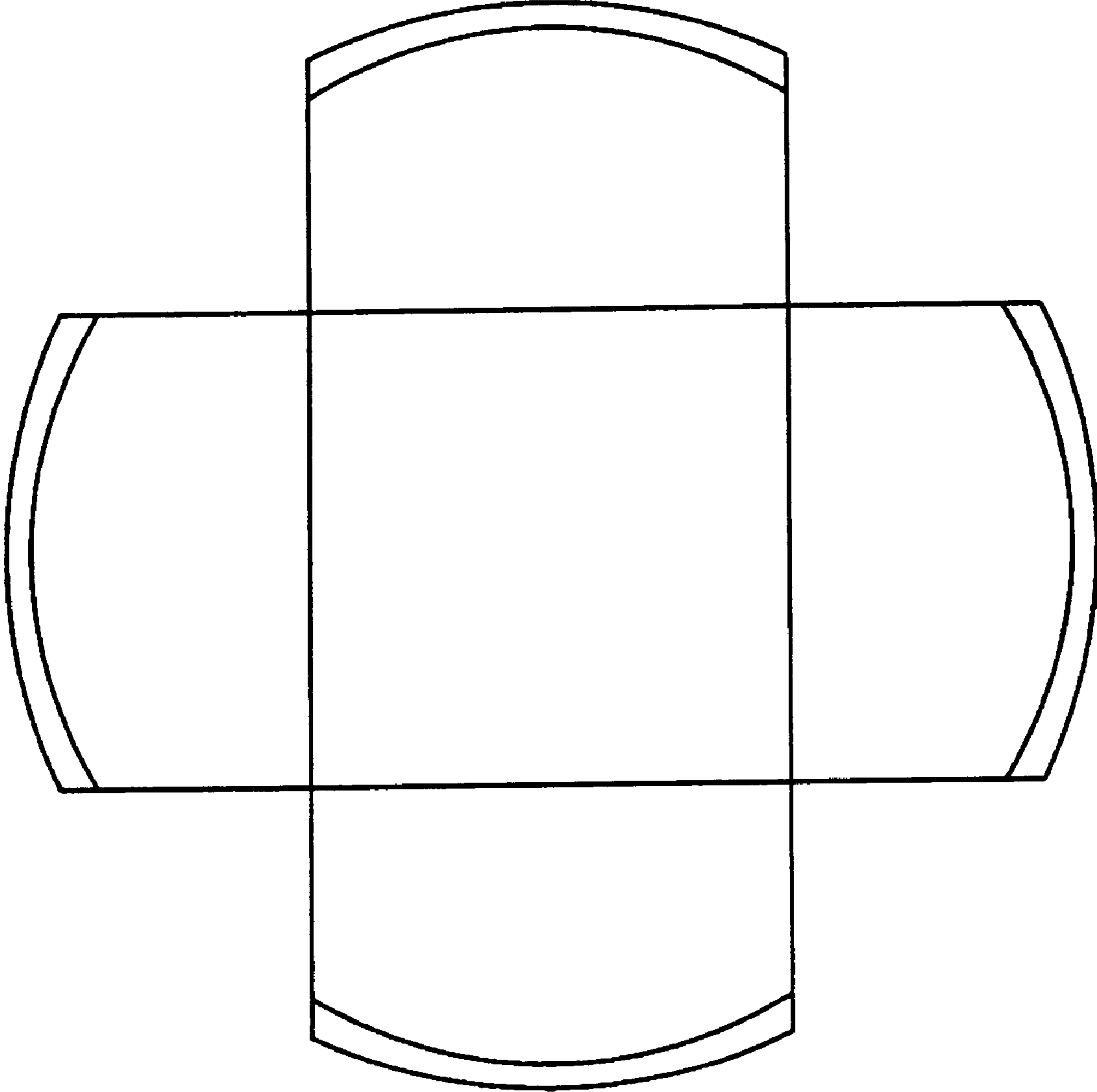


Figure 3

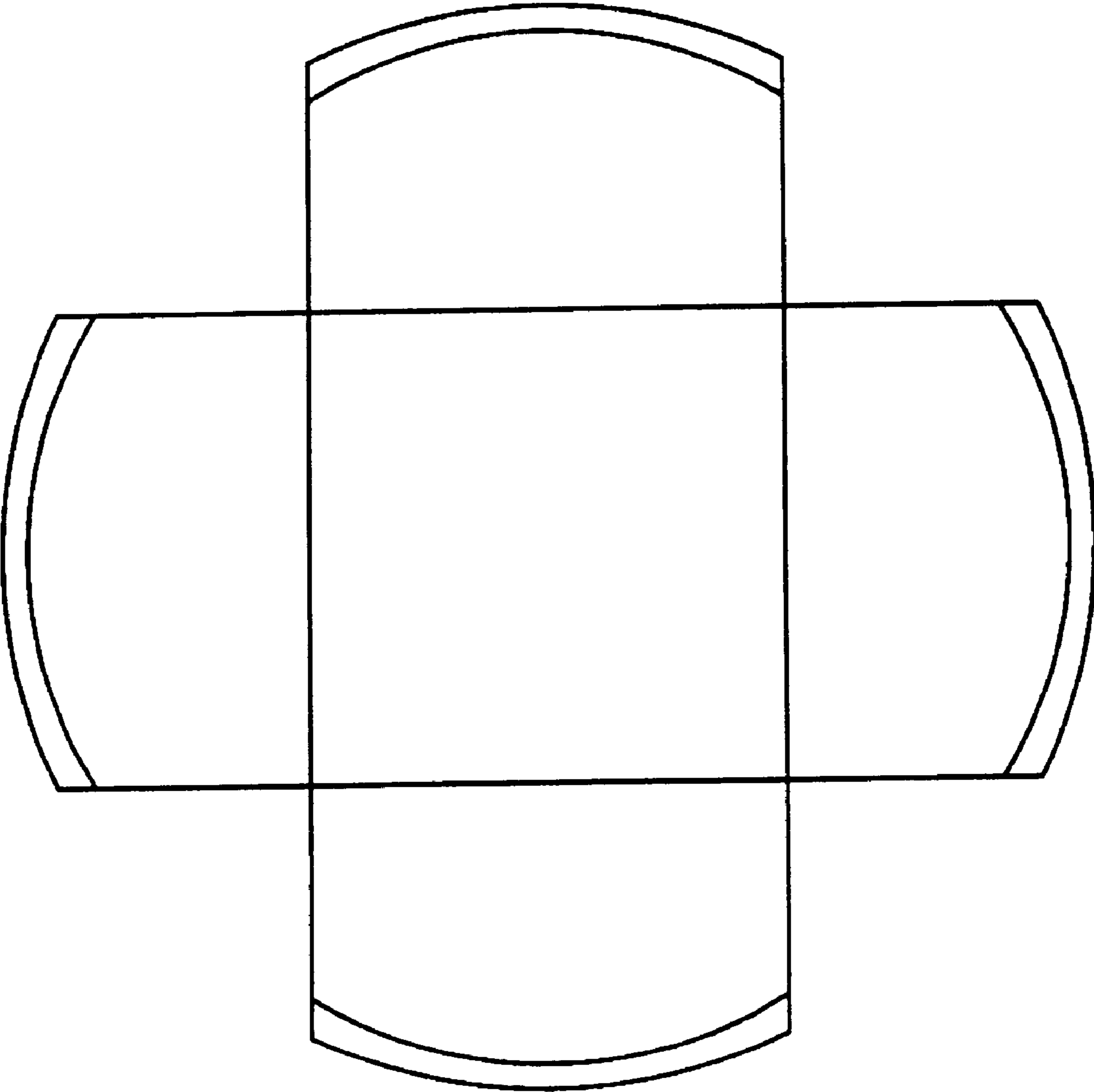


Figure 4