



US00D516637S

(12) **United States Design Patent**
Orr

(10) **Patent No.:** **US D516,637 S**
(45) **Date of Patent:** **** Mar. 7, 2006**

(54) **CONCAVE CONVEX LOOP MARKER MOUNTING BLOCK ADAPTER**

(76) **Inventor:** **Jeffrey G. Orr**, 3779 Trinity Cir.,
Corona, CA (US) 92881

(**) **Term:** **14 Years**

(21) **Appl. No.:** **29/222,689**

(22) **Filed:** **Feb. 2, 2005**

(51) **LOC (8) Cl.** **21-01**

(52) **U.S. Cl.** **D21/570**

(58) **Field of Classification Search** D21/569,
D21/570, 572-575; D22/100, 101, 103-105,
D22/108-111; 42/98; D8/17, 18, 21, 33;
124/71-77; 89/1.42

See application file for complete search history.

(56) **References Cited**

U.S. PATENT DOCUMENTS

D118,863 S	*	2/1940	Mossber	D22/108
D139,878 S	*	1/1945	French et al.	D22/108
D146,089 S	*	12/1946	Roe	D22/108
2,550,887 A		5/1951	Tratsch	124/1
3,695,246 A		10/1972	Filippi et al.	124/11
4,066,000 A		1/1978	Rostocil	89/198
4,347,679 A		9/1982	Grunig et al.	42/84
4,362,145 A		12/1982	Stelcher	124/32
D277,635 S	*	2/1985	Sherwood	D8/18
D278,201 S	*	4/1985	Koepke	D8/17
4,589,327 A		5/1986	Smith	89/148
4,770,153 A		9/1988	Edelman	124/72
4,899,717 A		2/1990	Rutten et al.	124/67
5,063,905 A		11/1991	Farrell	124/72
5,078,118 A		1/1992	Perrone	124/74
5,149,898 A		9/1992	Chesnut et al.	42/69.01
5,280,778 A		1/1994	Kotsiopoulos	124/73
5,285,593 A	*	2/1994	Bammate	42/98
5,462,042 A		10/1995	Grenwell	124/76
5,503,137 A		4/1996	Fusco	124/72
D390,302 S	*	2/1998	Bullock	D22/108
5,736,720 A		4/1998	Bell et al.	235/1
5,881,707 A		3/1999	Gardner, Jr.	124/77
6,003,504 A		12/1999	Rice et al.	124/73
D421,476 S	*	3/2000	Knight et al.	D22/108

6,035,843 A		3/2000	Smith et al.	124/77
D425,598 S	*	5/2000	Langner	D22/108
6,065,460 A		5/2000	Lotuaco, III	124/72
D429,791 S	*	8/2000	Bullock	D22/111
6,138,656 A		10/2000	Rice et al.	124/73
6,260,821 B1		7/2001	Perry et al.	251/314
6,349,711 B1		2/2002	Perry et al.	124/73
D455,192 S	*	4/2002	Bullock	D22/111
6,439,217 B1		8/2002	Shih	124/77
6,532,949 B1		3/2003	McKendrick	124/77
6,550,468 B1		4/2003	Tippmann, Jr.	124/71
6,553,983 B1		4/2003	Li	124/73
6,626,165 B1		9/2003	Bhogal	124/77
6,637,420 B2		10/2003	Moritz	124/73
6,658,982 B2		12/2003	Cherry	89/1.42
6,763,822 B1		7/2004	Styles	124/77
6,802,306 B1		10/2004	Rice	124/74
2003/0178018 A1		9/2003	Cherry	124/76
2004/0011344 A1		1/2004	Rice et al.	124/73

* cited by examiner

Primary Examiner—Holly Baynham

Assistant Examiner—Cynthia M. Chin

(74) *Attorney, Agent, or Firm*—Keisling, Pieper & Scott PLC; David B. Pieper; Trent C. Keisling

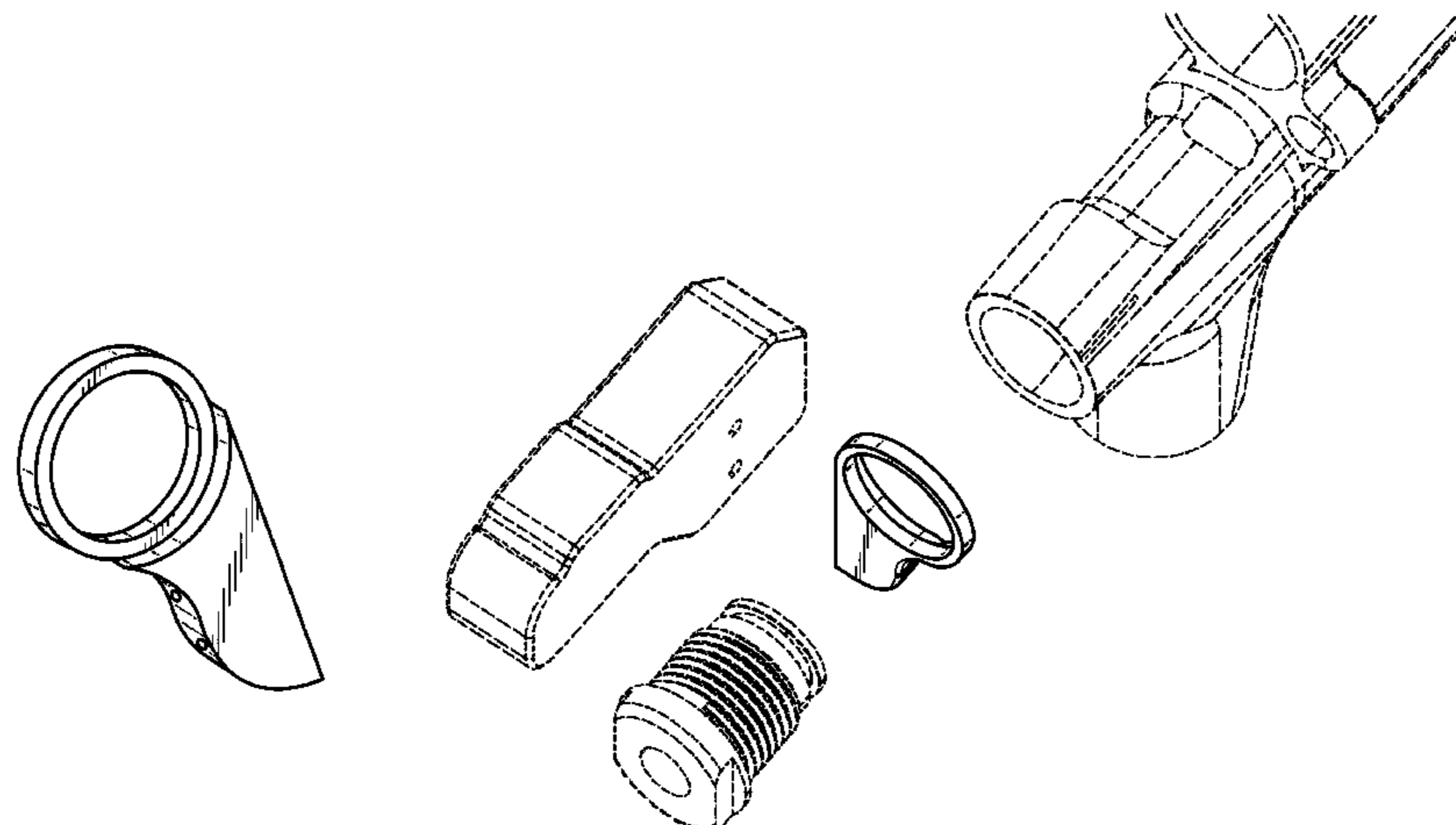
(57) **CLAIM**

The ornamental design for a concave convex loop marker mounting block adapter, as shown and described.

DESCRIPTION

FIG. 1 is a back elevational view of a concave convex loop marker mounting block adapter showing my new design; FIG. 2 is a left elevational view thereof; FIG. 3 is a top elevational view thereof; FIG. 4 is a front elevational view thereof; FIG. 5 is a bottom elevational view thereof; FIG. 6 is a right elevational view thereof; FIG. 7 is a top-left-front isometric elevational view thereof; and, FIG. 8 is an exploded environmental view thereof with the environment shown in dashed lines. The broken lines are for illustrative purposes only and form no part of the claimed design.

1 Claim, 2 Drawing Sheets



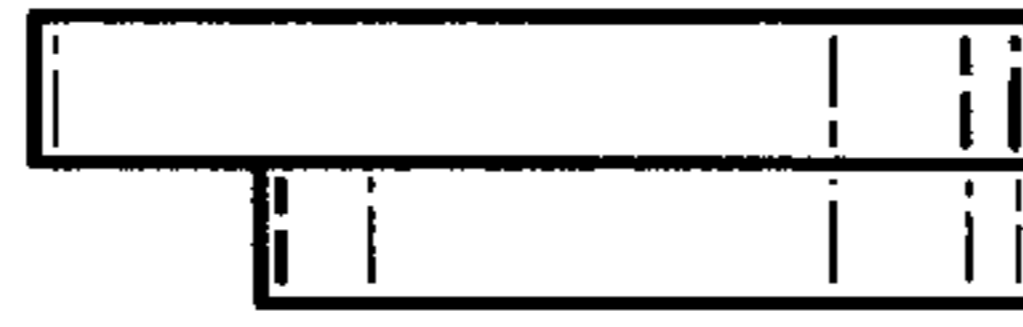


FIG. 3

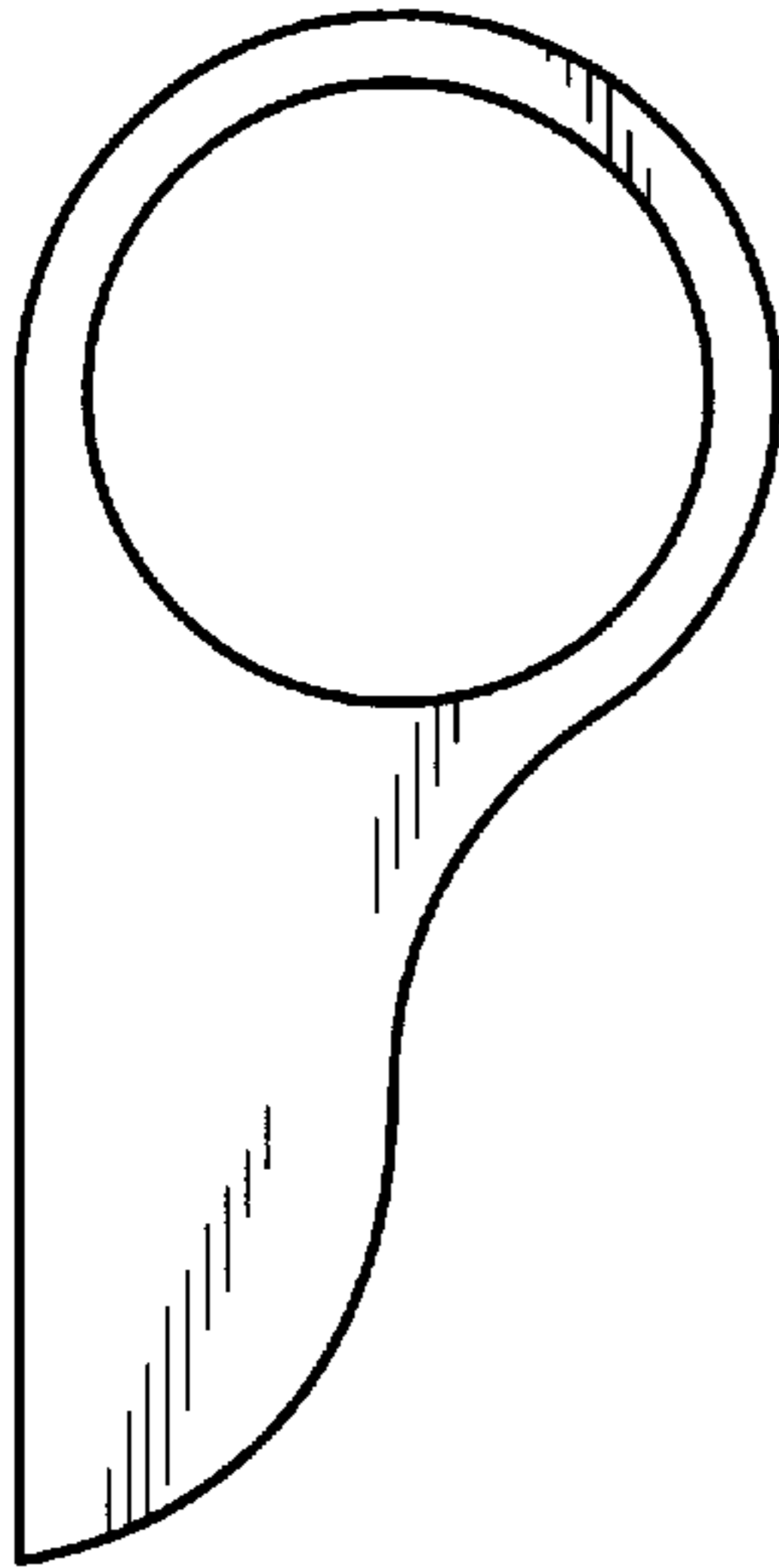


FIG. 1



FIG. 2

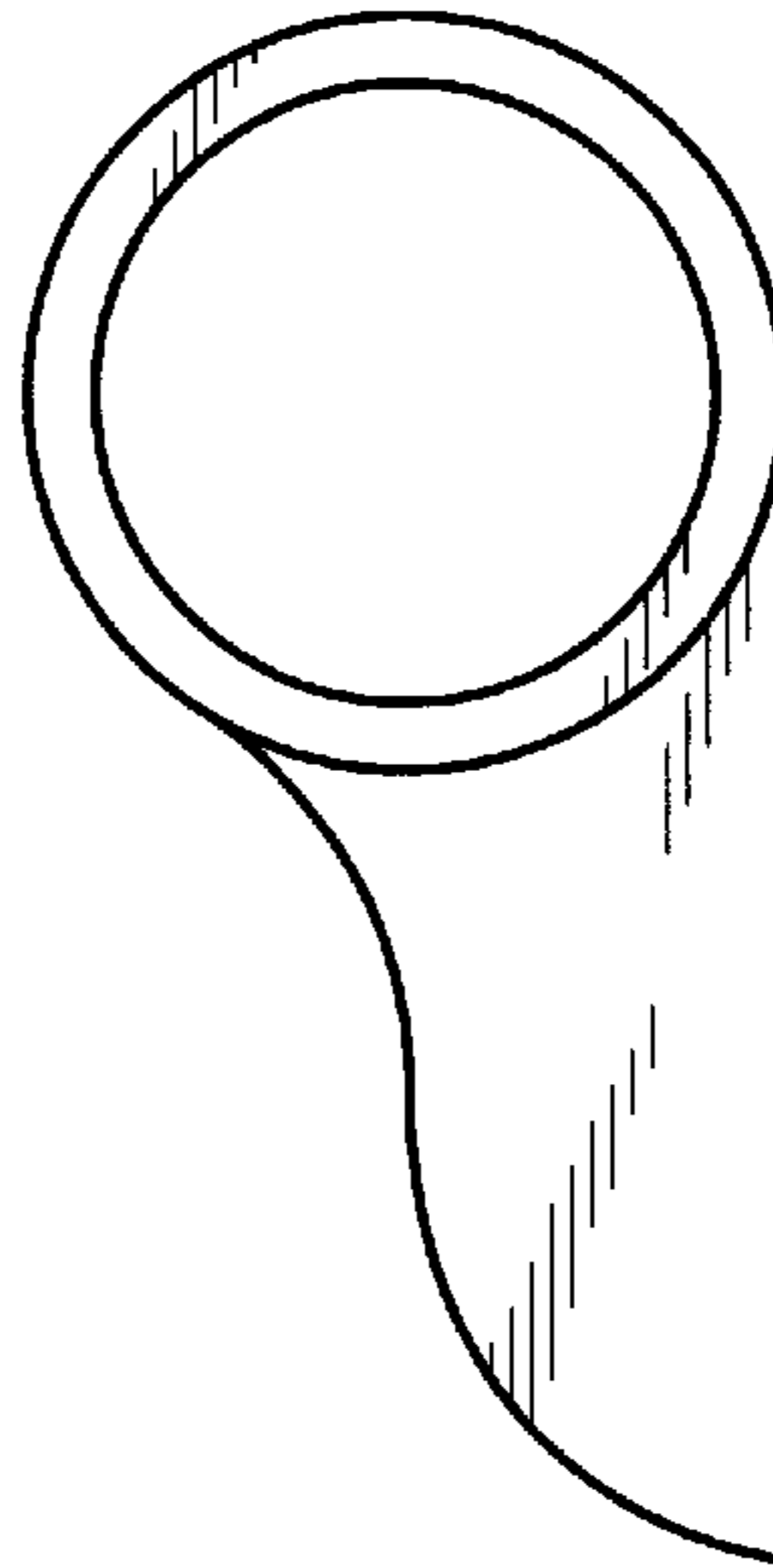


FIG. 4



FIG. 6



FIG. 5

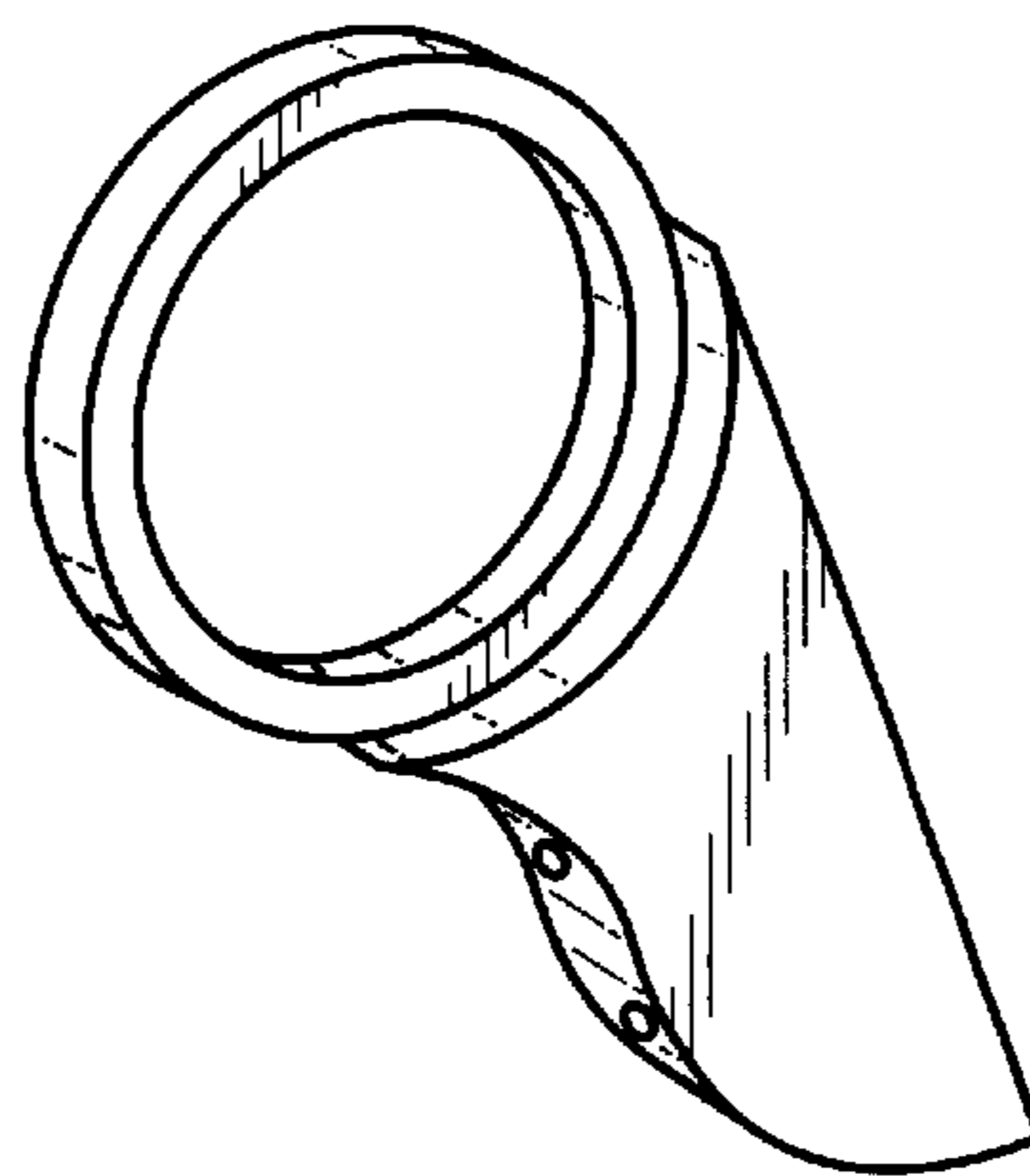


FIG. 7

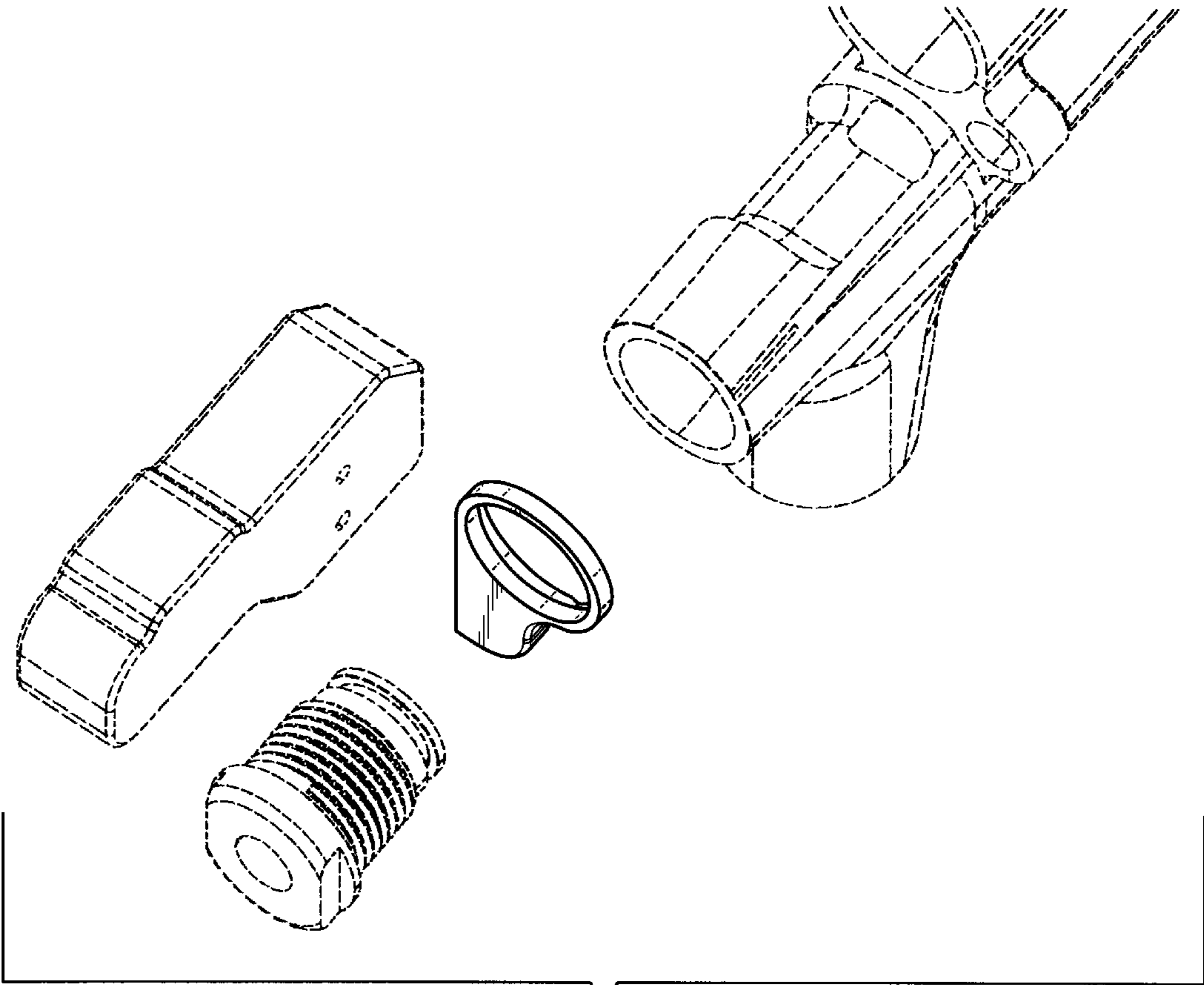


FIG. 8