



US00D516636S

(12) **United States Design Patent** (10) **Patent No.:** **US D516,636 S**  
**Kim** (45) **Date of Patent:** **\*\* Mar. 7, 2006**

(54) **ASSEMBLY BLOCK**

(75) **Inventor:** **Kwan-Young Kim**, Ga-301 Youngnam Art Town 680-5 Hakik-dong, Nam-gu, Incheon, 402-040 (KR)

(73) **Assignees:** **Kwan-Young Kim**, Incheon (KR); **Sun-Woo Chun**, Incheon (KR)

(\*\*) **Term:** **14 Years**

(21) **Appl. No.:** **29/221,324**

(22) **Filed:** **Jan. 12, 2005**

(30) **Foreign Application Priority Data**

Dec. 28, 2004 (KR) ..... 30-2004-0040308

(51) **LOC (8) Cl.** ..... **21-01**

(52) **U.S. Cl.** ..... **D21/503; D21/500; D21/501**

(58) **Field of Classification Search** ..... D21/484-505; D25/113-118; 446/85, 104, 124-125, 119, 446/109, 120-121, 128, 93, 97, 102, 103, 446/95, 376; 248/276.1; D8/91

See application file for complete search history.

(56) **References Cited**

**U.S. PATENT DOCUMENTS**

D256,606 S \* 8/1980 Hoggard ..... D21/503  
D375,442 S \* 11/1996 Hughes ..... D8/91  
5,733,168 A \* 3/1998 Poulsen et al. .... 446/120  
D396,499 S \* 7/1998 Larws ..... D21/484

**OTHER PUBLICATIONS**

Lego catalog, p. 43, 1997.\*

Lego catalog, 1990.\*

\* cited by examiner

*Primary Examiner*—Raphael Barkai

(74) *Attorney, Agent, or Firm*—Jordan and Hamburg LLP

(57) **CLAIM**

The ornamental design for an assembly block, as shown and described.

**DESCRIPTION**

FIG. 1 is a front, right side and top perspective view of an assembly block showing my new design;

FIG. 2 is a front elevational view thereof;

FIG. 3 is a left side elevational view thereof;

FIG. 4 is a top plan view thereof; and,

FIG. 5 is a perspective view of the assembly block illustrating an environmental assembly use thereof.

The broken line depictions of components, other than the assembly block, are illustrative of environmental structure used in conjunction with the embodiment and form no part of the claimed design.

A rear elevational view is identical to the front elevational view.

A right side elevational view is identical to the left side elevational view.

A bottom plan view is identical to the top plan.

**1 Claim, 2 Drawing Sheets**

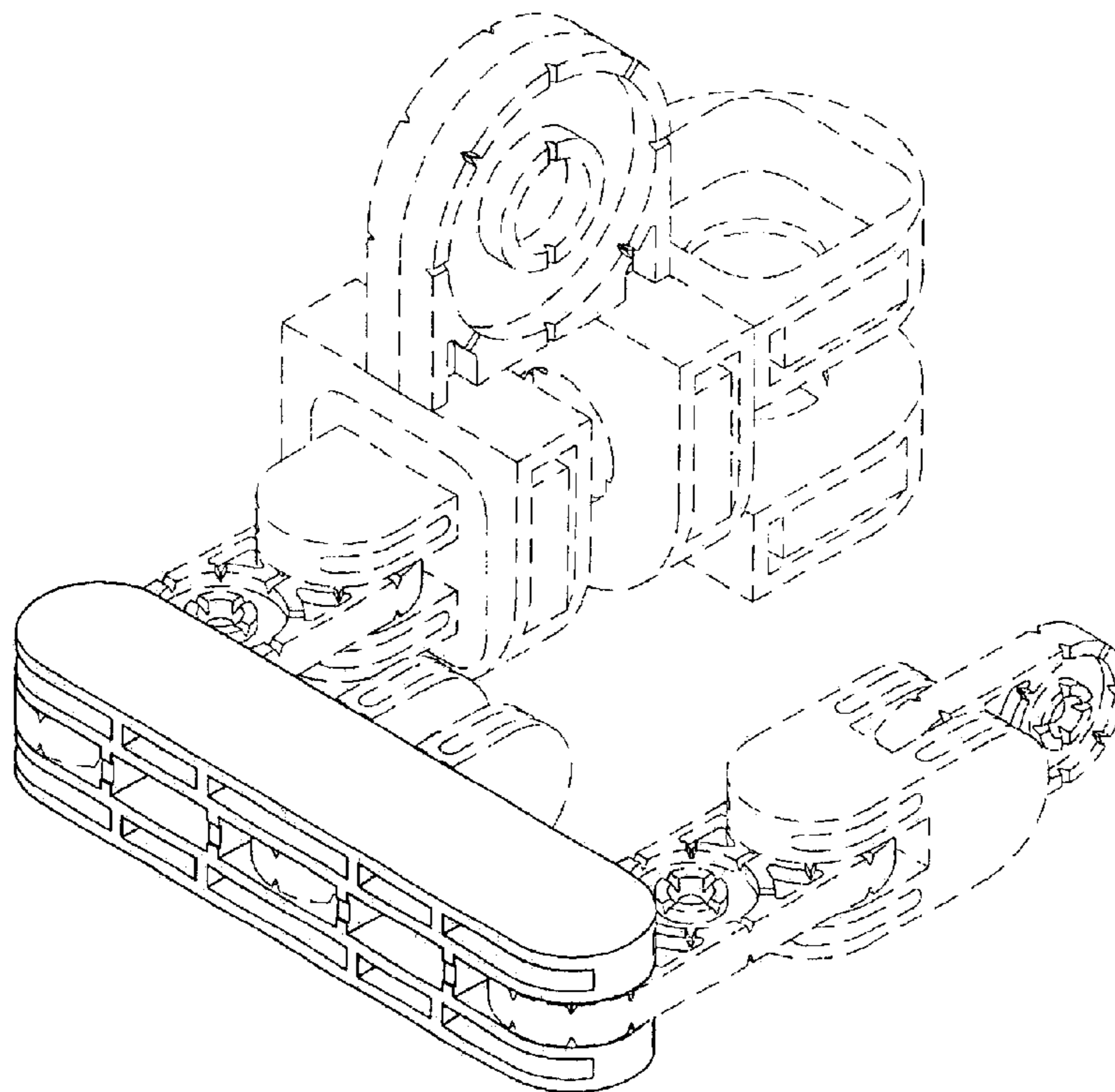


Fig. 1

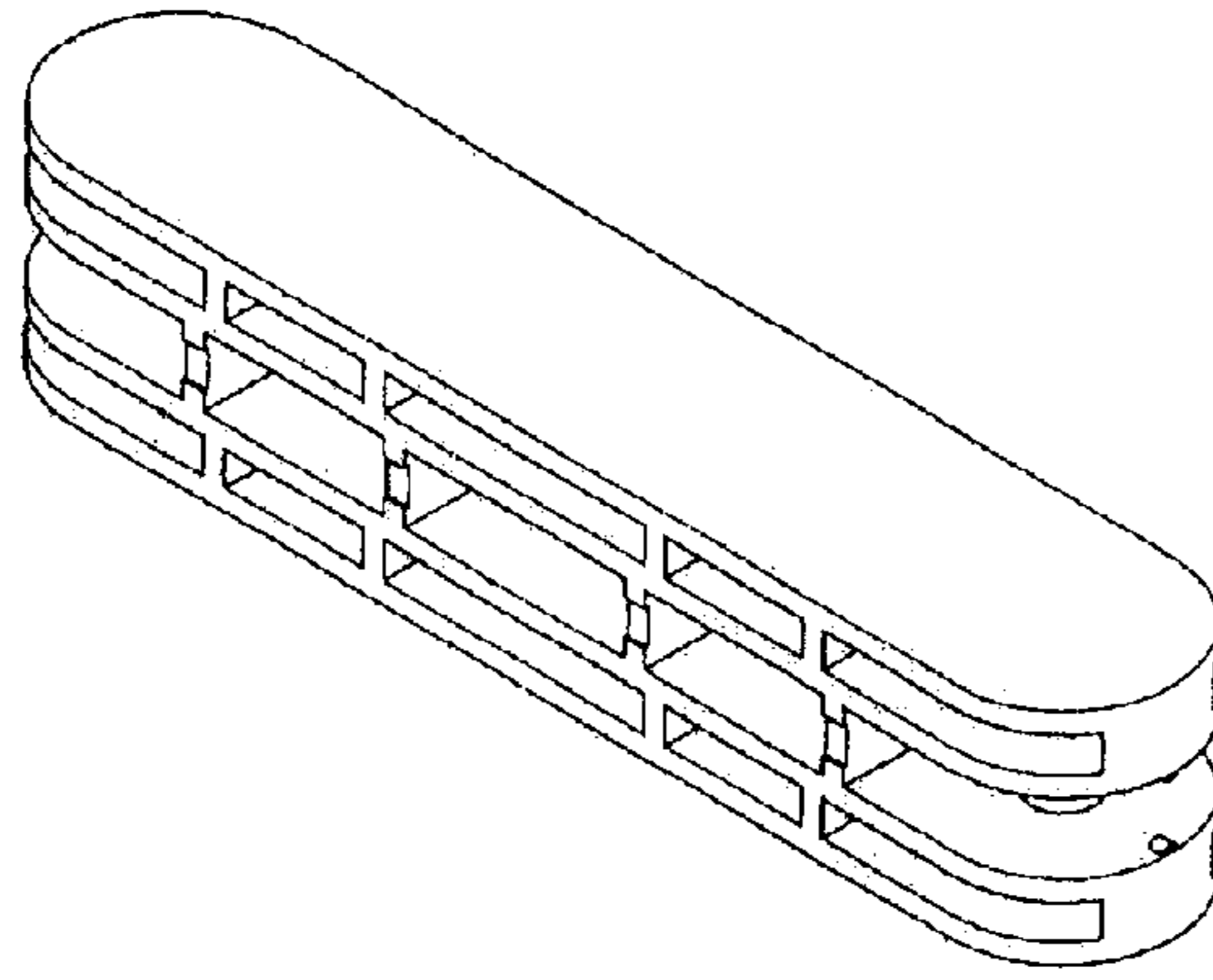


Fig. 2

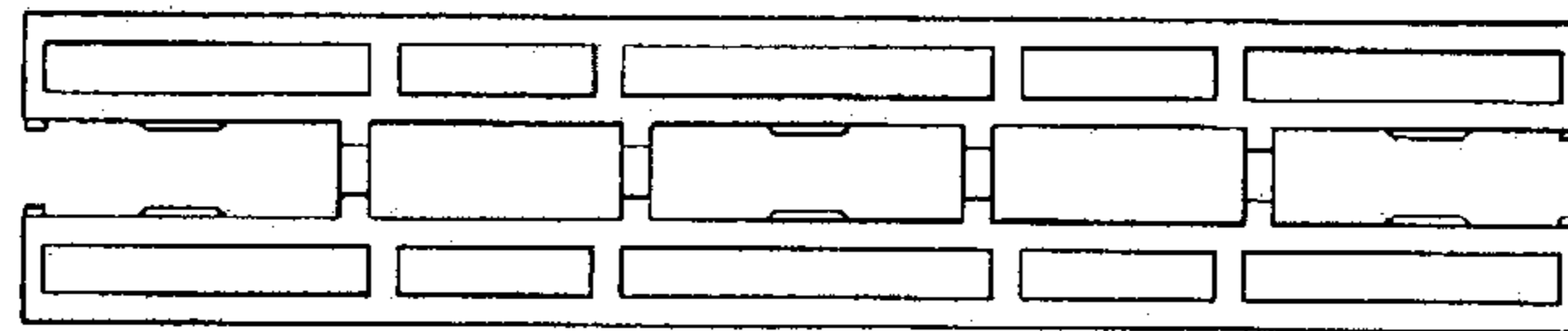


Fig. 3

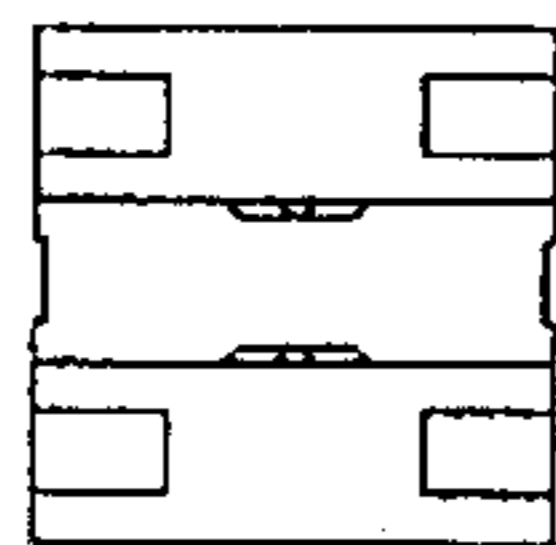


Fig. 4

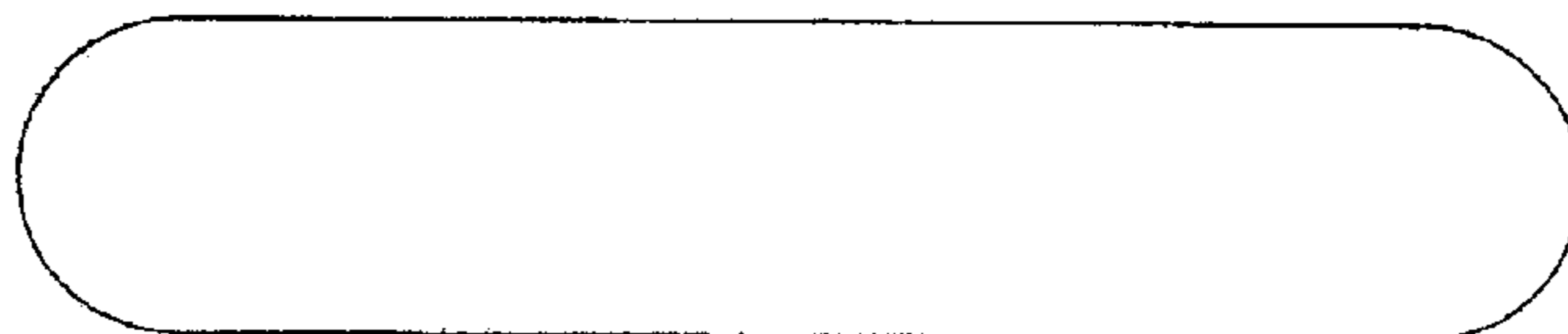


Fig. 5

