

US00D516635S

(12) **United States Design Patent**
Kim

(10) **Patent No.:** **US D516,635 S**
(45) **Date of Patent:** **** Mar. 7, 2006**

(54) **ASSEMBLY BLOCK**

(75) **Inventor:** **Kwan-Young Kim**, Ga-301 Youngnam Art Town, 680-5 Hakik-dong, Nam-gu, Incheon (KR), 402-040

(73) **Assignees:** **Kwan-Young Kim**, Incheon (KR); **Sun-Woo Chun**, Incheon (KR)

(**) **Term:** **14 Years**

(21) **Appl. No.:** **29/220,346**

(22) **Filed:** **Dec. 29, 2004**

(30) **Foreign Application Priority Data**

Jun. 29, 2004 (KR) 30-2004-0019523

(51) **LOC (8) Cl.** **21-01**

(52) **U.S. Cl.** **D21/503; D21/500; D21/501**

(58) **Field of Classification Search** D21/484-505, D21/561; D25/113-118; 446/85, 104, 124-125, 446/119, 109, 120-121, 128, 93, 97, 102, 446/103, 95, 376; 248/276.1; D8/91, 21; 52/592.6

See application file for complete search history.

(56) **References Cited**

U.S. PATENT DOCUMENTS

1,779,826 A	*	10/1930	Potter	446/116
2,095,700 A	*	10/1937	Heede	446/113
D256,606 S	*	8/1980	Hoggard	D21/503
D290,721 S	*	7/1987	Ryaa et al.	D21/503
D292,477 S	*	10/1987	Shyi-Kuan	D8/21
D304,472 S	*	11/1989	Poulsen	D21/561
D375,442 S	*	11/1996	Hughes	D8/91
5,645,463 A	*	7/1997	Olsen	446/128

5,733,168 A	*	3/1998	Poulsen et al.	446/120
D396,499 S	*	7/1998	Larws	D21/484
6,088,987 A	*	7/2000	Simmons et al.	52/592.6

OTHER PUBLICATIONS

Lego catalog, p. 43, 1997.*

Lego catalog, 1990.*

* cited by examiner

Primary Examiner—Raphael Barkai

(74) *Attorney, Agent, or Firm*—Jordon and Hamburg LLP

(57) **CLAIM**

The ornamental design for an assembly block, as shown and described.

DESCRIPTION

FIG. 1 is a front, right side and top perspective view of an assembly block showing my new design; FIG. 2 is a front elevational view thereof; FIG. 3 is a left side elevational view thereof; FIG. 4 is a top plan view thereof; and, FIG. 5 is a perspective view of the assembly block illustrating an environmental assembly use thereof.

The broken line depictions of components, other than the assembly block, are illustrative of environmental structure used in conjunction with the embodiment and form no part of the claimed design.

A rear elevational view is identical to the front elevational view.

A right side elevational view is identical to the left side elevational view.

A bottom plan view is identical to the top plan.

1 Claim, 2 Drawing Sheets

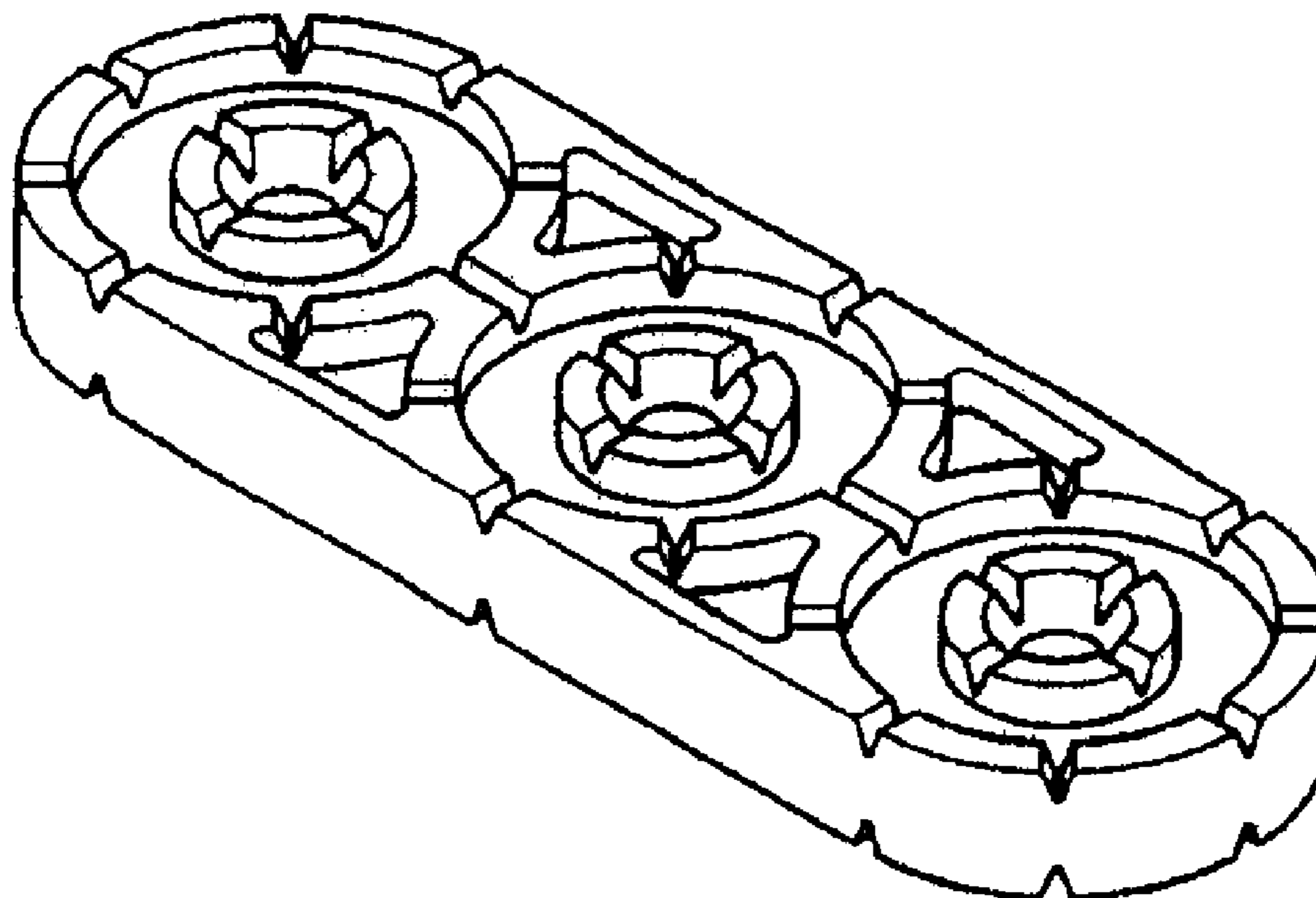


Fig. 1

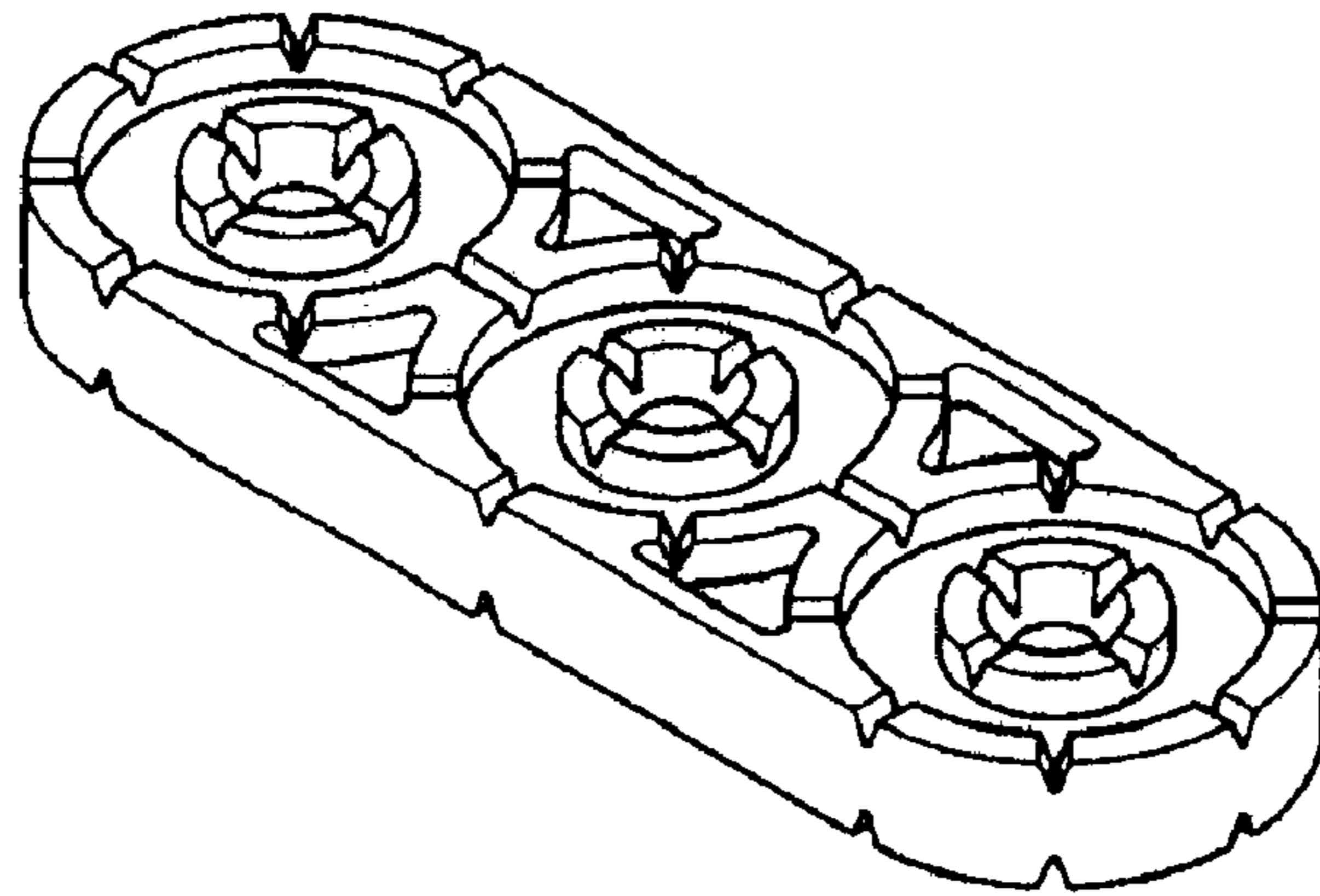


Fig. 2



Fig. 3



Fig. 4

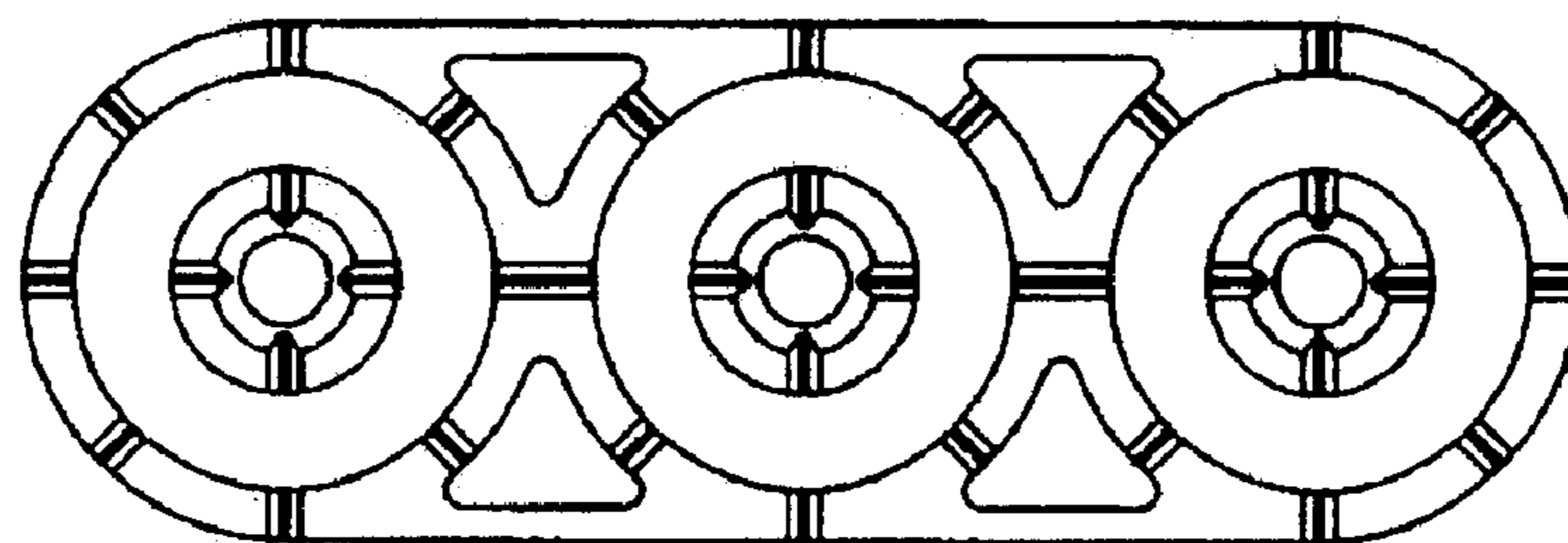


Fig. 5

