

US00D516634S

(12) **United States Design Patent**  
**Man-tat**

(10) **Patent No.:** **US D516,634 S**  
(45) **Date of Patent:** **\*\* Mar. 7, 2006**

(54) **CONSOLE**

(75) **Inventor:** **Lee Man-tat, Shiga (JP)**

(73) **Assignee:** **SSD Company Limited, Shiga (JP)**

(\*\*) **Term:** **14 Years**

(21) **Appl. No.:** **29/208,955**

(22) **Filed:** **Jul. 7, 2004**

(30) **Foreign Application Priority Data**

Jan. 8, 2004 (JP) ..... 2004-000233

(51) **LOC (8) Cl.** ..... **21-01**

(52) **U.S. Cl.** ..... **D21/332**

(58) **Field of Classification Search** ..... D21/324-333;  
273/148 B, 459, 460; 463/1, 36-47; D14/440,  
D14/401, 435

See application file for complete search history.

(56) **References Cited**

**U.S. PATENT DOCUMENTS**

5,192,082	A	*	3/1993	Inoue et al.	.....	463/44
D362,869	S	*	10/1995	Oikawa	.....	D21/332
D362,870	S	*	10/1995	Oikawa	.....	D21/332
D367,895	S	*	3/1996	Goto	.....	D21/332
D379,832	S	*	6/1997	Ashida	.....	D21/332
D383,800	S	*	9/1997	Ishizaki et al.	.....	D21/332
D393,884	S		4/1998	Hayami	.....	D21/332
D402,328	S	*	12/1998	Ashida	.....	D21/332
6,022,274	A	*	2/2000	Takeda et al.	.....	463/44
6,238,291	B1	*	5/2001	Fujimoto et al.	.....	463/44

D448,810	S	*	10/2001	Goto	.....	D21/332
6,383,079	B1	*	5/2002	Takeda et al.	.....	463/43
6,392,613	B1	*	5/2002	Goto	.....	345/30
6,743,103	B1	*	6/2004	Sugimura	.....	463/43

\* cited by examiner

*Primary Examiner*—Prabhakar Deshmukh  
(74) *Attorney, Agent, or Firm*—Harness, Dickey & Pierce, P.L.C.

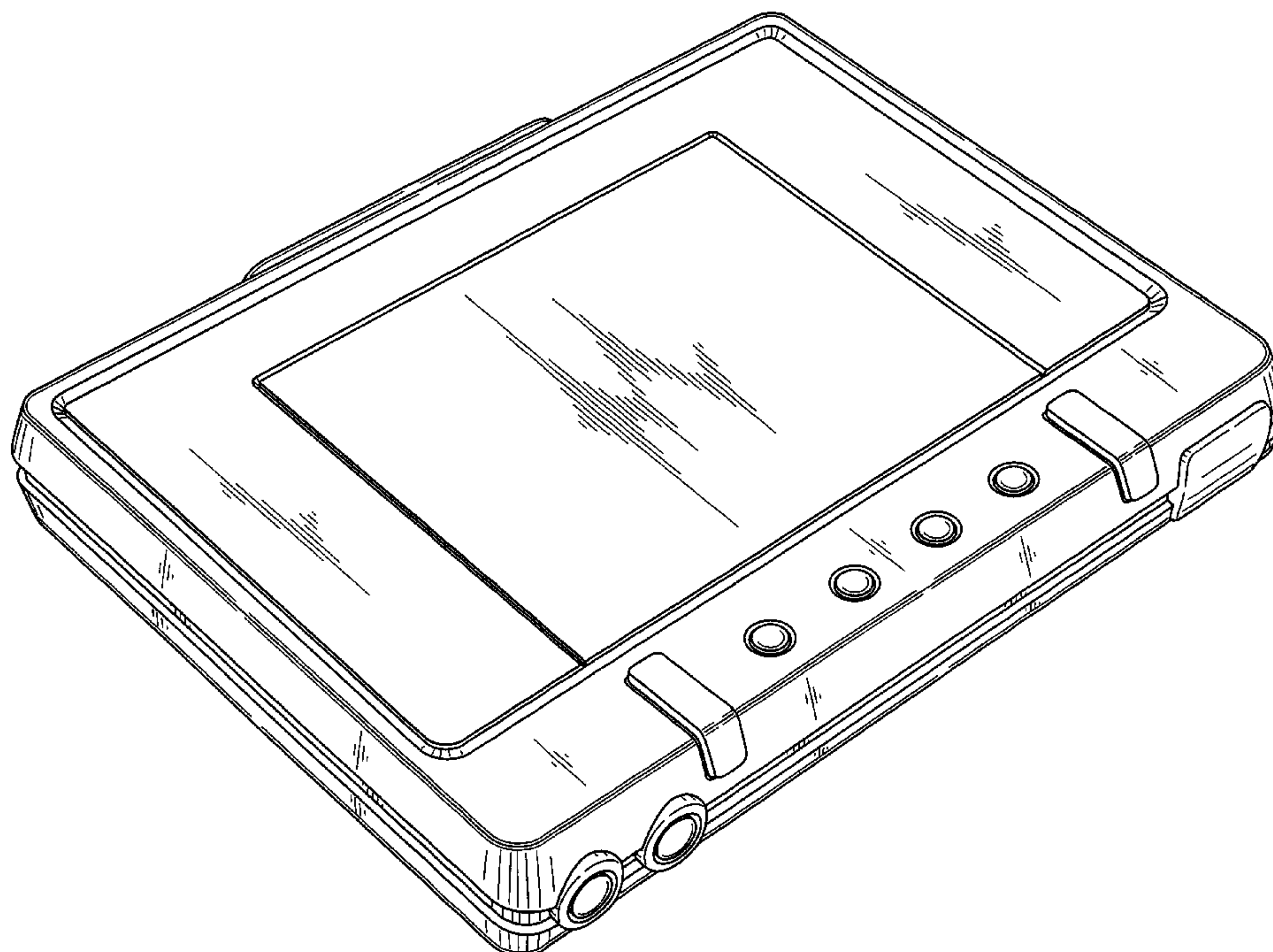
(57) **CLAIM**

The ornamental design for a console, as shown and described.

**DESCRIPTION**

FIG. 1 is a perspective view of the front, top and left side of a console showing my new design;  
 FIG. 2 is a front view thereof;  
 FIG. 3 is a rear view thereof;  
 FIG. 4 is a left side view thereof;  
 FIG. 5 is a right side view thereof;  
 FIG. 6 is a top plan view thereof;  
 FIG. 7 is a bottom view thereof;  
 FIG. 8 is a perspective view of the front, top and left side in the condition of the top plate being in the downward position thereof; and,  
 FIG. 9 is a perspective view of the front, top and left side in the condition of the cartridge being attached thereof.  
 The elements shown in broken lines are for illustrative purposes only and form no part of the claimed design.

**1 Claim, 7 Drawing Sheets**



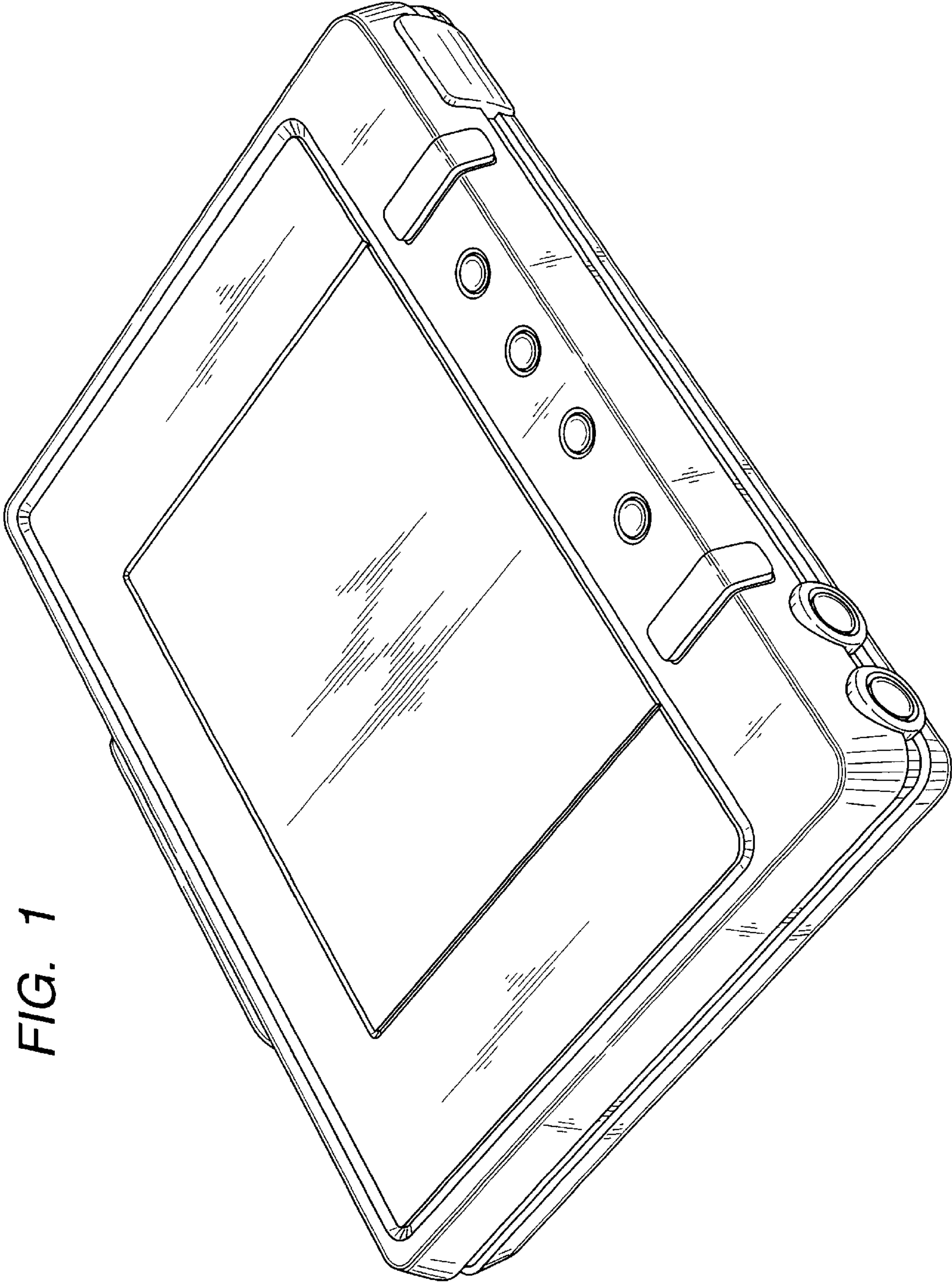


FIG. 1

FIG. 2

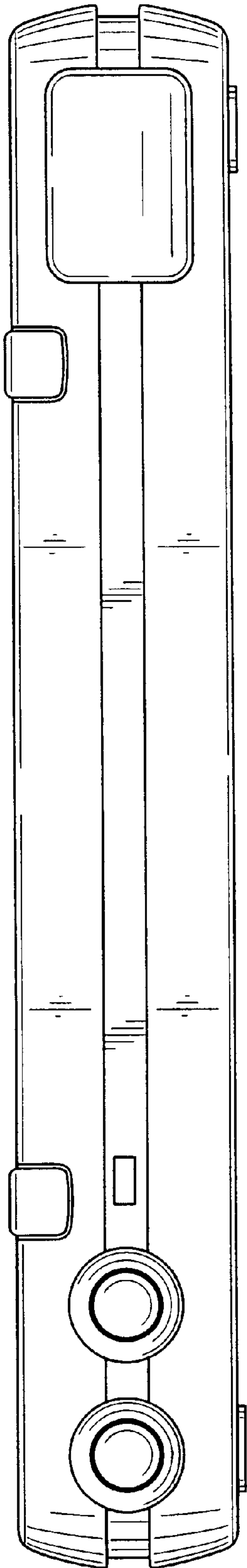
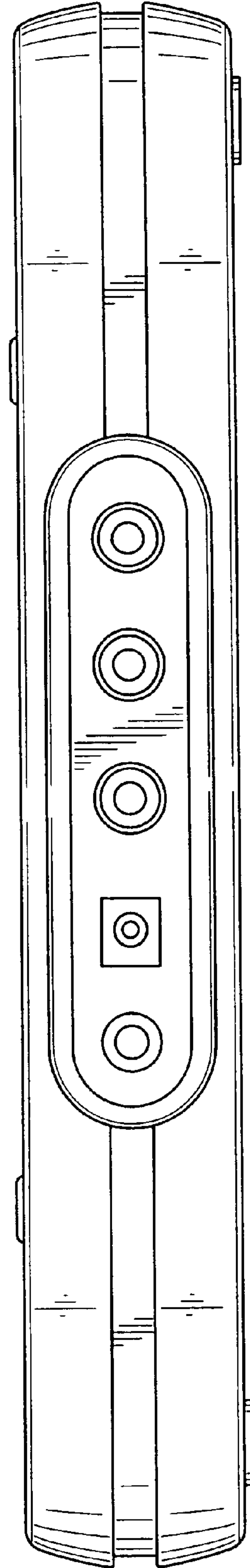
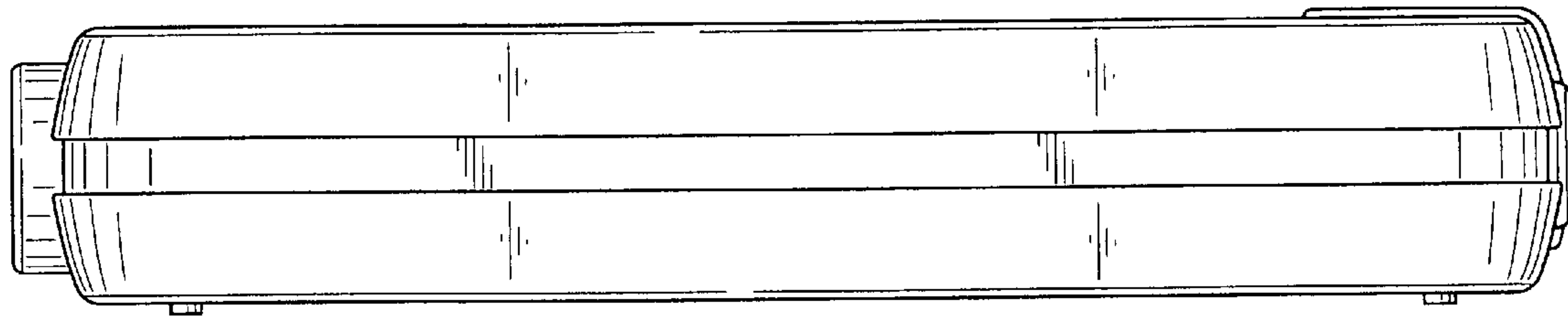


FIG. 3



*FIG. 4*



*FIG. 5*

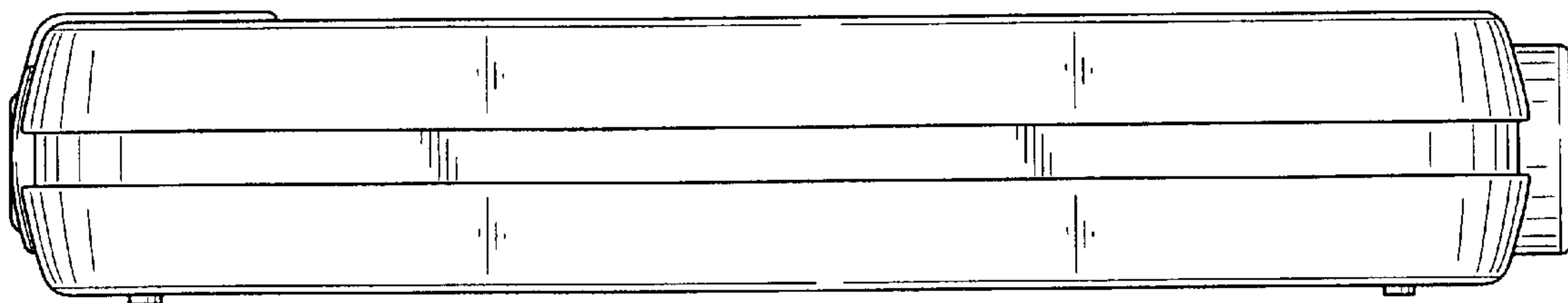




FIG. 6

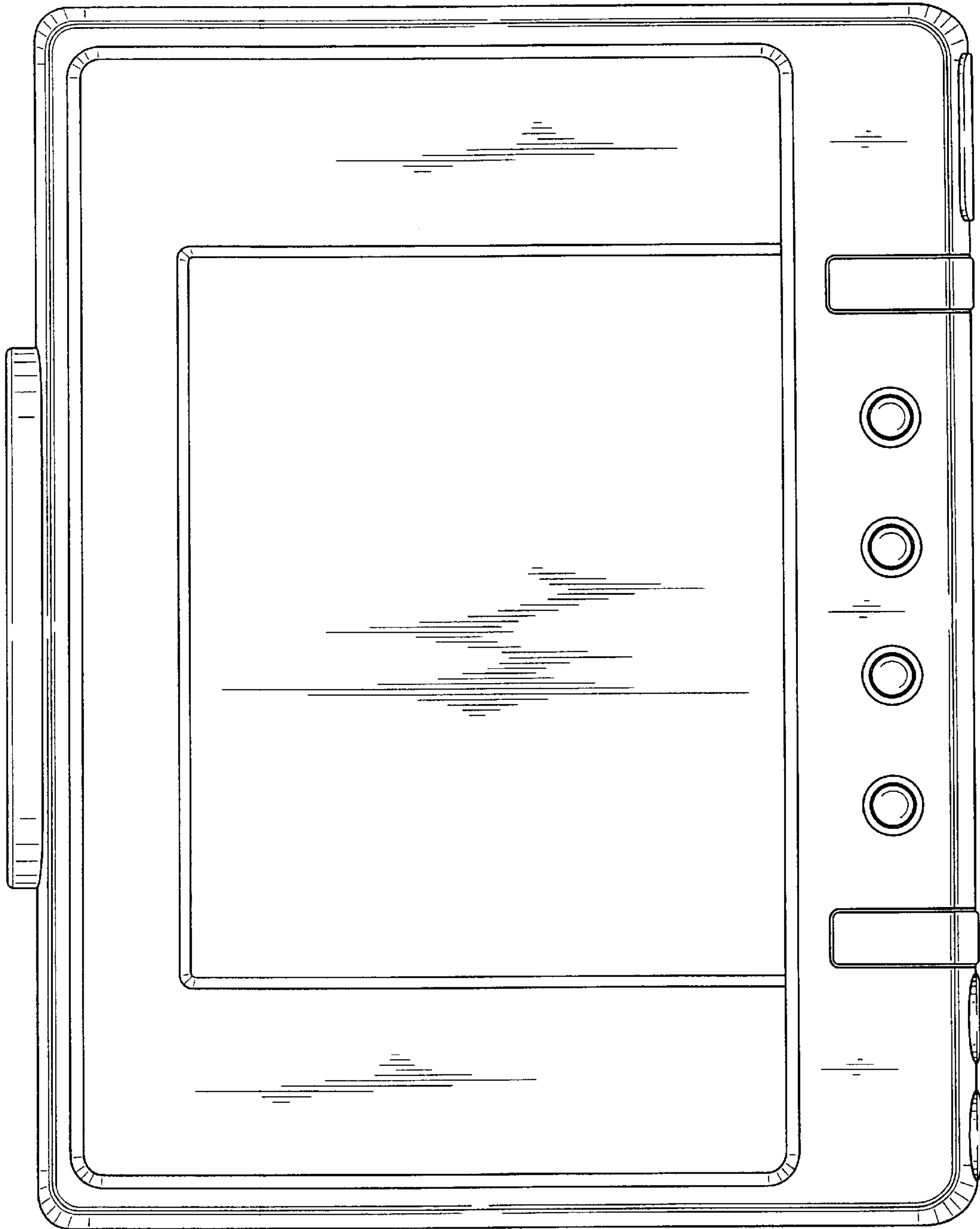
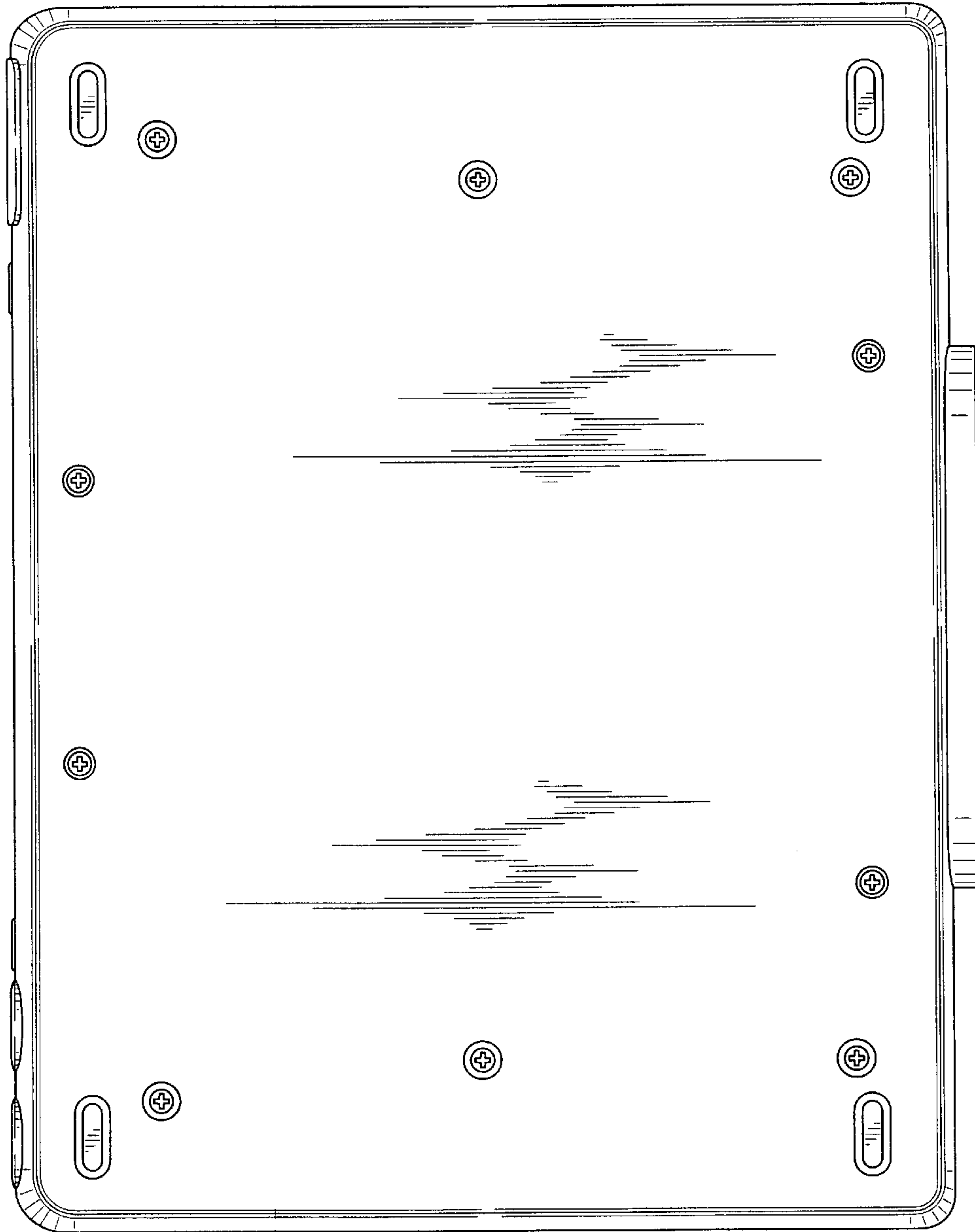


FIG. 7



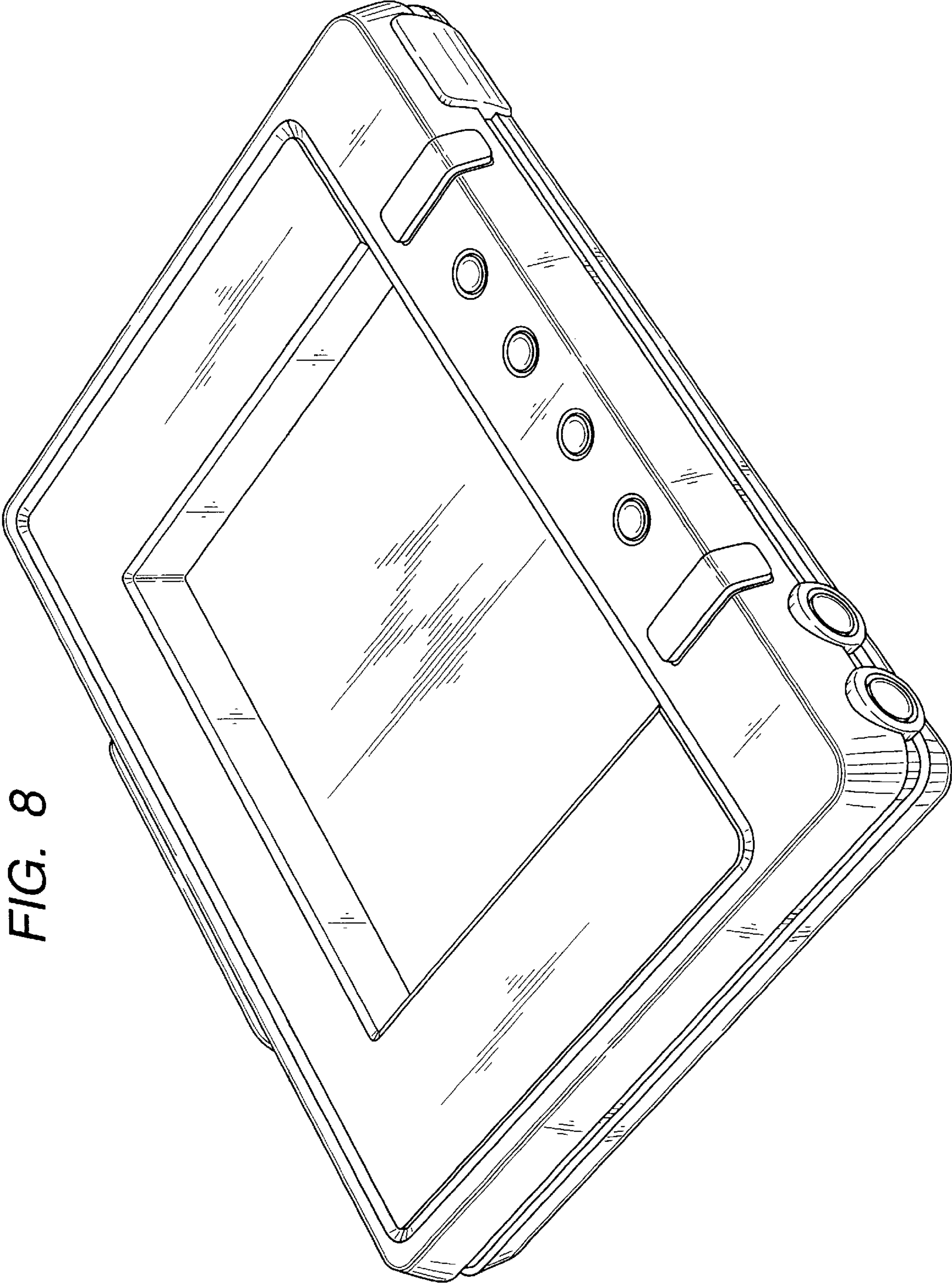


FIG. 8

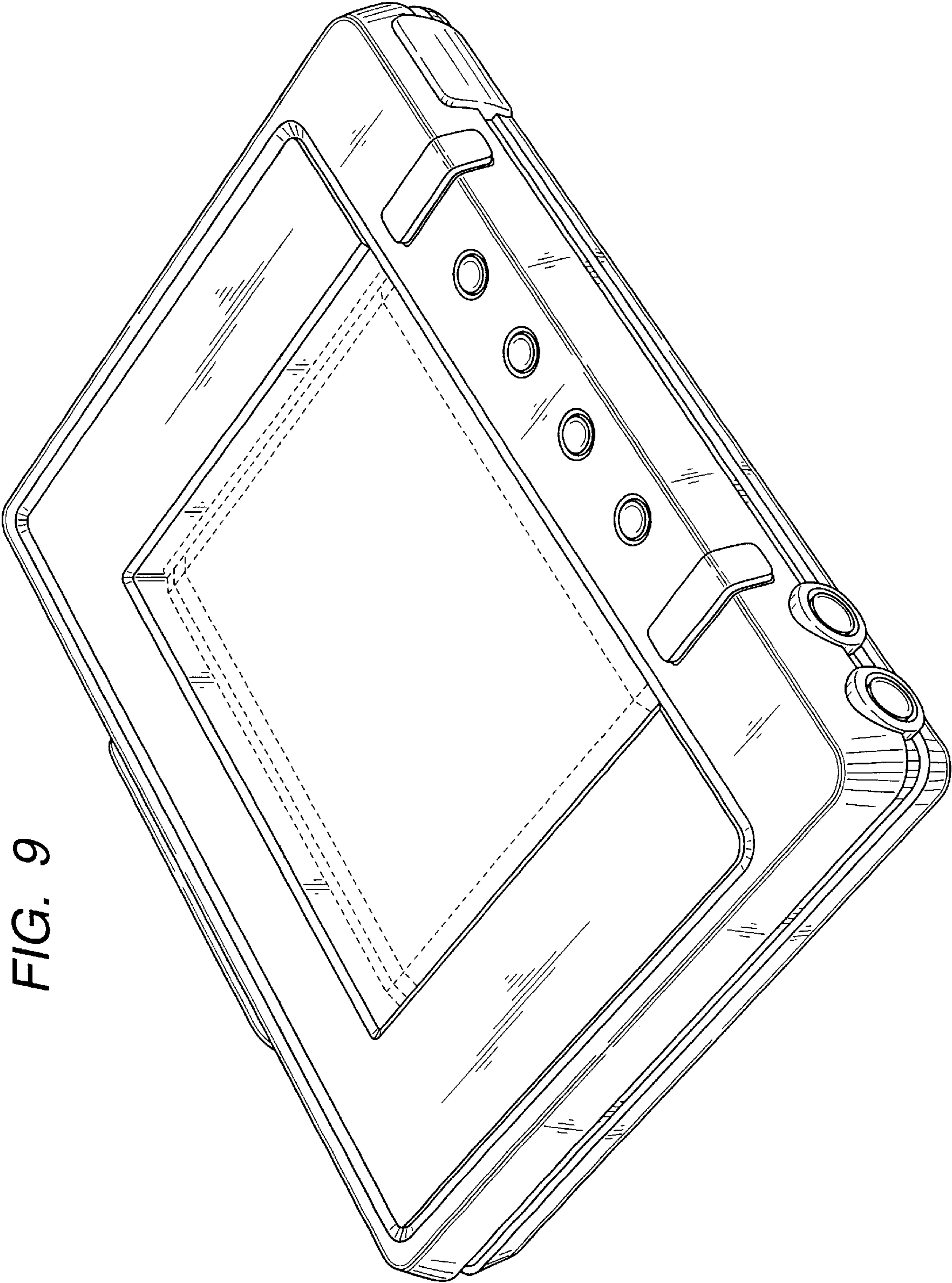


FIG. 9