



US00D516632S

(12) **United States Design Patent** (10) **Patent No.:** **US D516,632 S**
Alves (45) **Date of Patent:** **** Mar. 7, 2006**

(54) **HOLDER FOR PRICE AND PRODUCT INFORMATION OR THE LIKE**

(75) Inventor: **Manuel J. Alves**, Wilmington, NC (US)

(73) Assignee: **Joalpe International, Inc.**, Wilmington, NC (US)

(**) Term: **14 Years**

(21) Appl. No.: **29/212,342**

(22) Filed: **Aug. 31, 2004**

(51) **LOC (8) Cl.** **20-03**

(52) **U.S. Cl.** **D20/43**

(58) **Field of Classification Search** D20/10,
D20/22, 40, 42, 43, 44, 99; D8/373, 380;
D19/20; D25/119, 121, 122, 124; 40/124.01,
40/124.05, 584, 642.02, 649, 653, 654.01,
40/661, 661.03; 52/522; 248/214, 215
See application file for complete search history.

(56) **References Cited**

U.S. PATENT DOCUMENTS

D133,663 S	*	9/1942	Beason	D20/43
D314,016 S	*	1/1991	Mitchell	D20/43
D316,877 S	*	5/1991	Mitchell	D20/43
D393,490 S	*	4/1998	Burch	D20/43
D469,472 S	*	1/2003	Gladden, III	D20/43

* cited by examiner

Primary Examiner—Robert M. Spear
(74) *Attorney, Agent, or Firm*—Dougherty, Clements & Hofer

(57) **CLAIM**

The ornamental design for a holder for price and product information or the like, as shown and described.

DESCRIPTION

FIG. 1 is an isometric assembly view of the invented holder for price and product information or the like showing the new design, the holder having two parts, a rack attachment clip shown in FIGS. 2 through 7, and an information receptacle shown in FIGS. 8 through 14.

FIG. 2 is an isometric view of the rack attachment clip portion of the invented design;

FIG. 3 is a top view of the rack attachment clip of FIG. 2;

FIG. 4 is a left end elevational view thereof;

FIG. 5 is a front elevational view thereof, the rear view being a mirror image thereof;

FIG. 6 is a right end elevational view thereof; and

FIG. 7 is a bottom view thereof.

FIG. 8 is an isometric view of the information receptacle portion of the invented design;

FIG. 9 is a top view of the information receptacle of FIG. 8;

FIG. 10 is a left side elevational view thereof;

FIG. 11 is a front view thereof;

FIG. 12 is a right side elevational view thereof;

FIG. 13 is a rear view thereof; and,

FIG. 14 is a bottom view thereof.

1 Claim, 5 Drawing Sheets

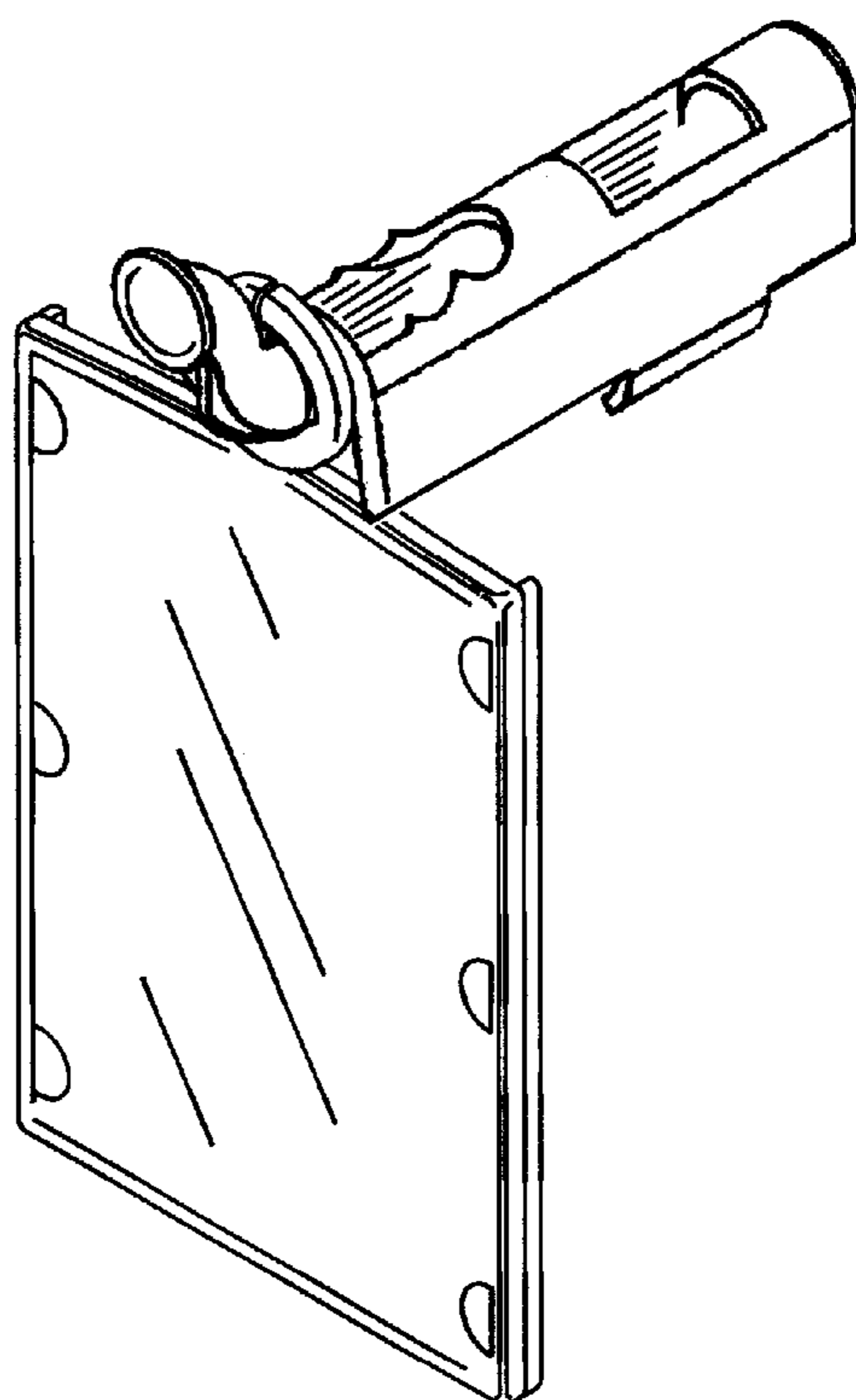


Fig. 1

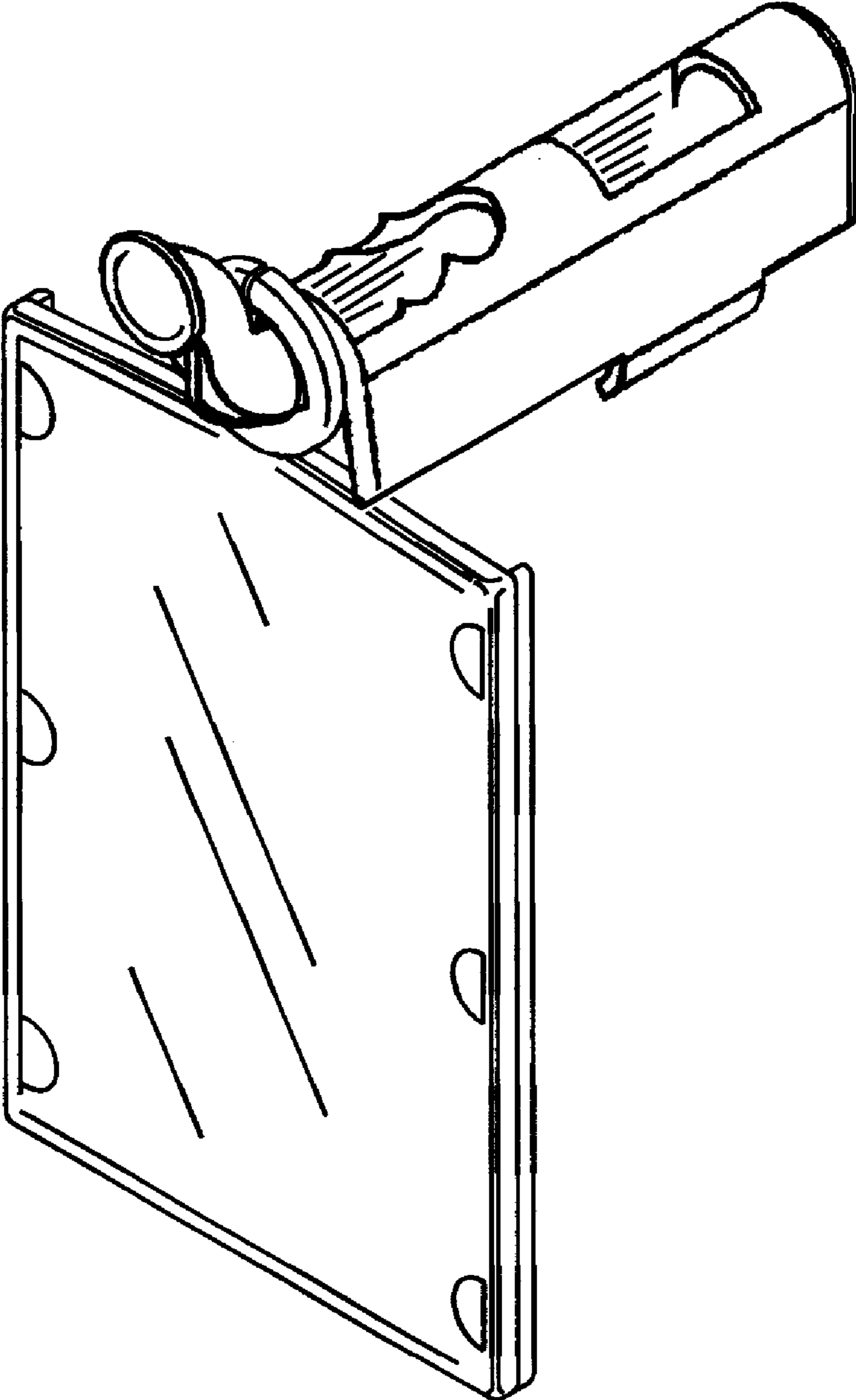


Fig. 2

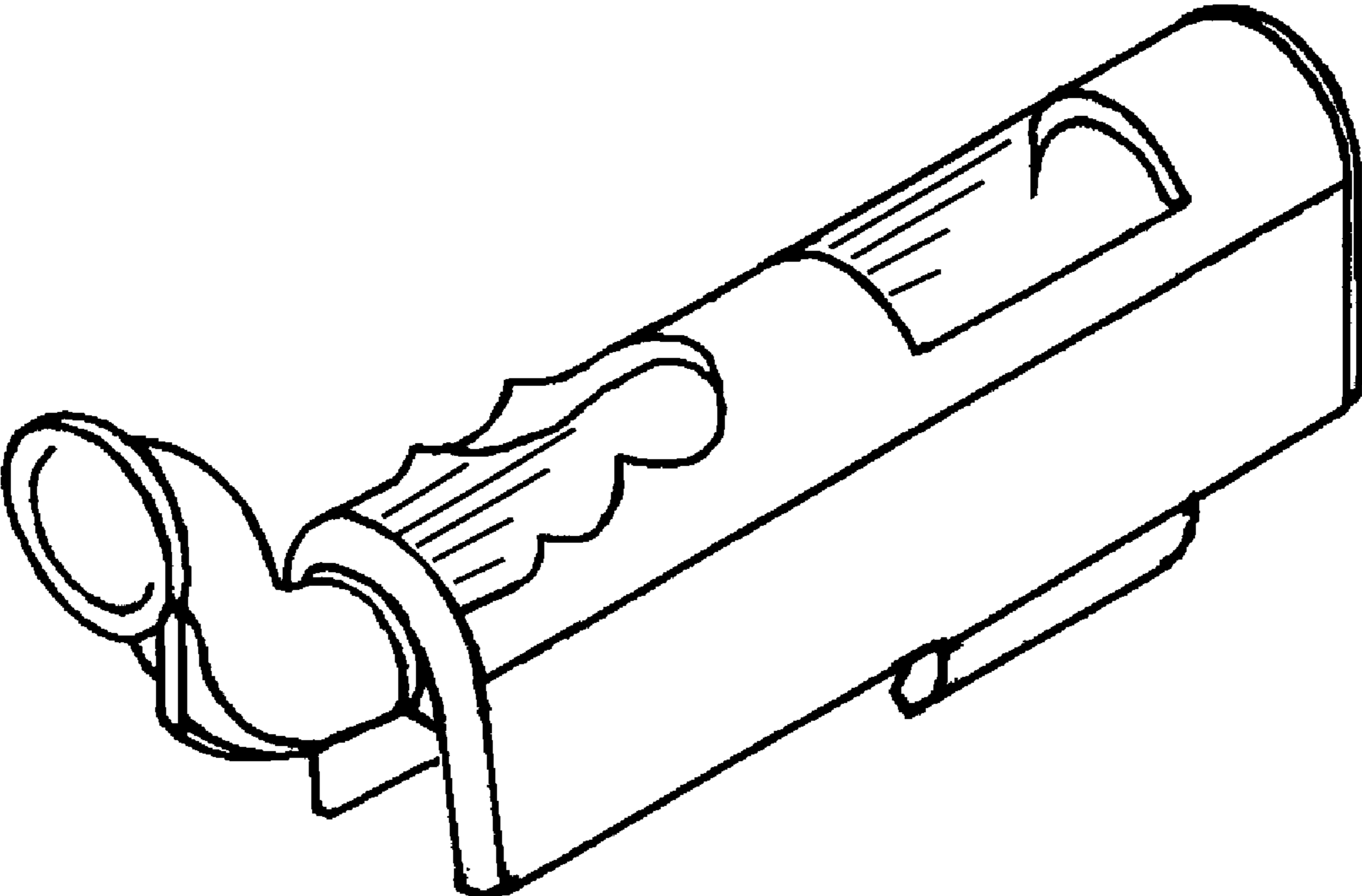


Fig. 3

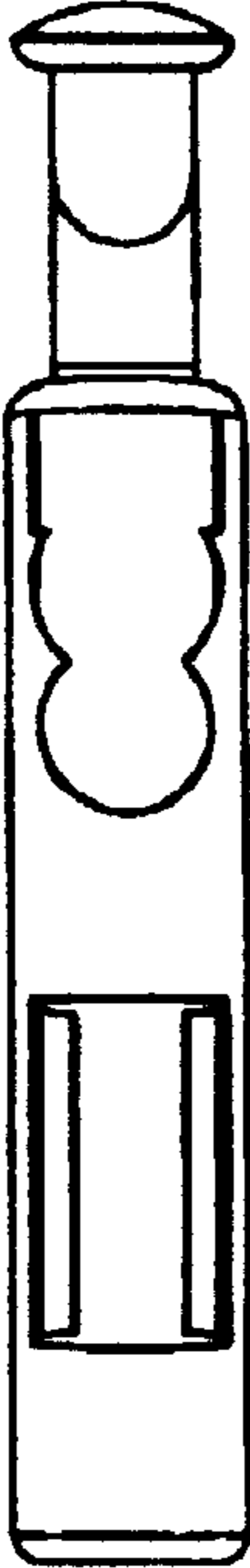


Fig. 6



Fig. 5

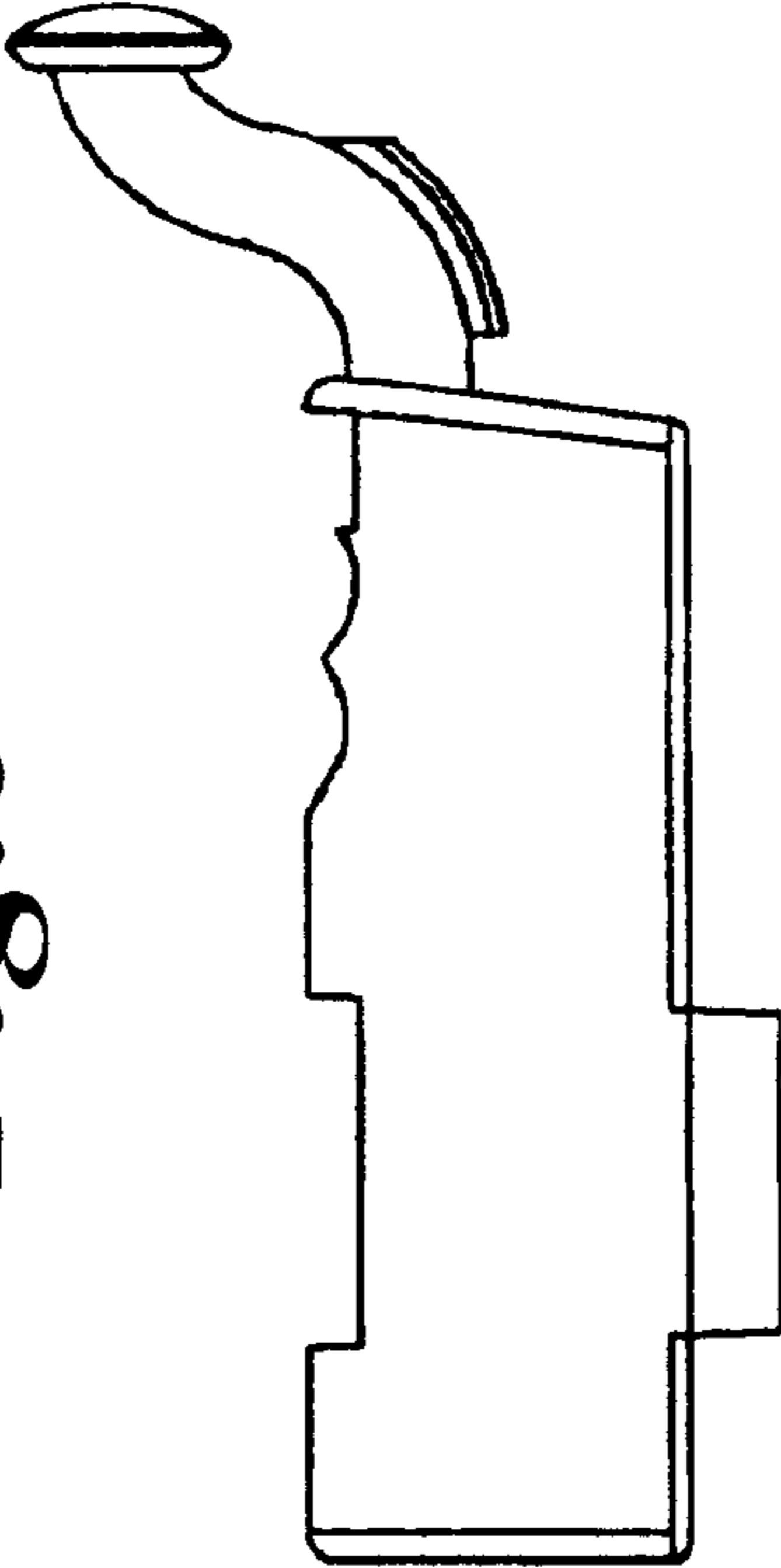


Fig. 4



Fig. 7



Fig. 8

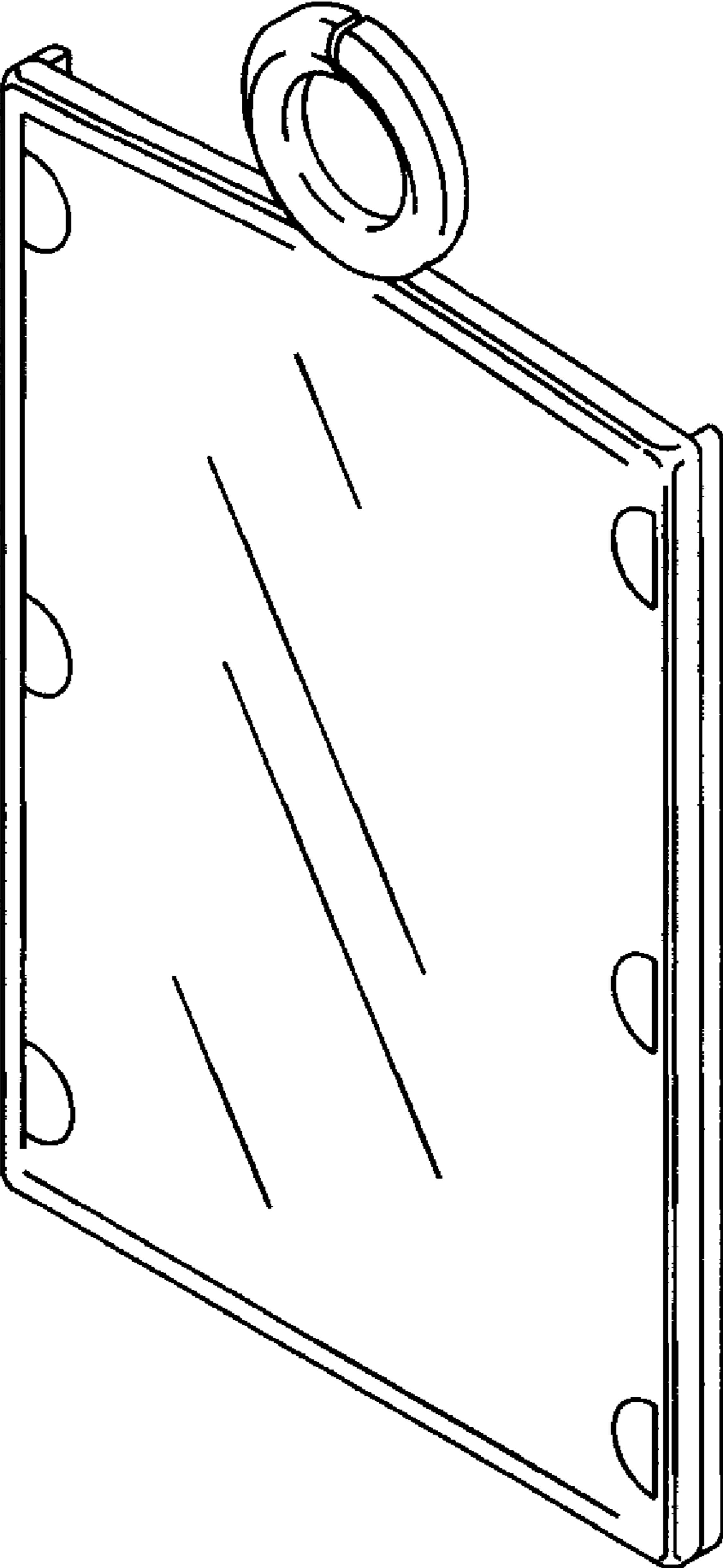


Fig. 9



Fig. 10

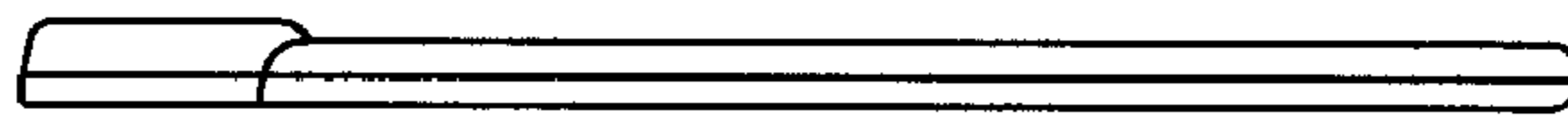


Fig. 11

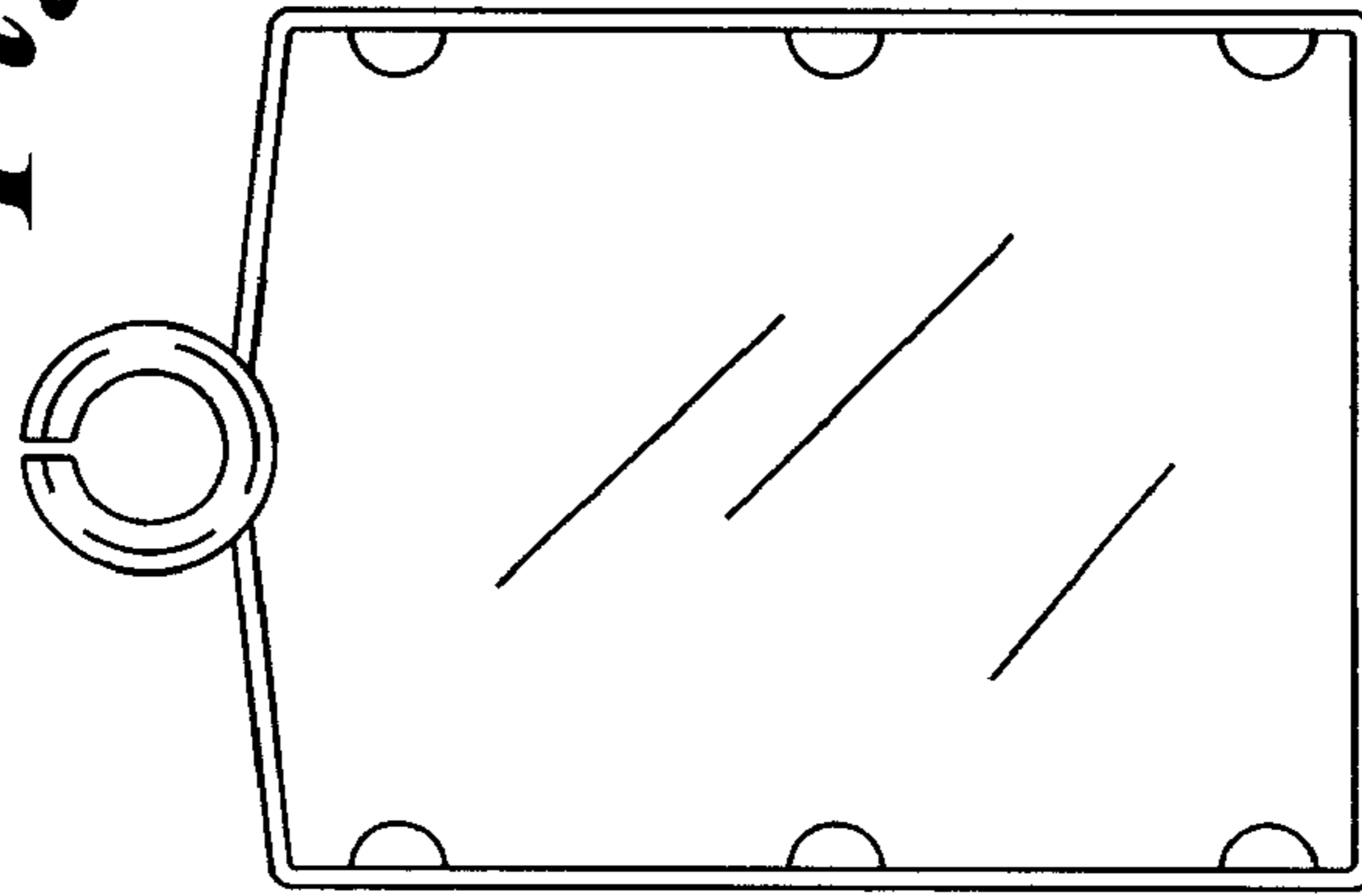


Fig. 12

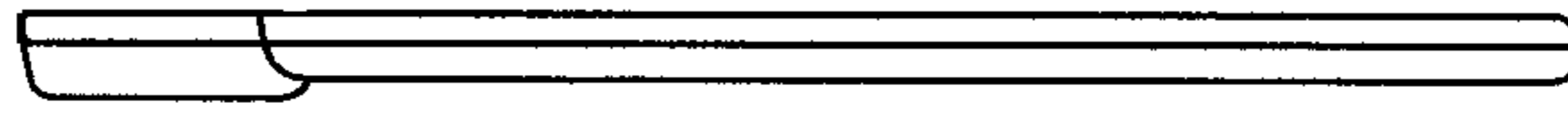


Fig. 13

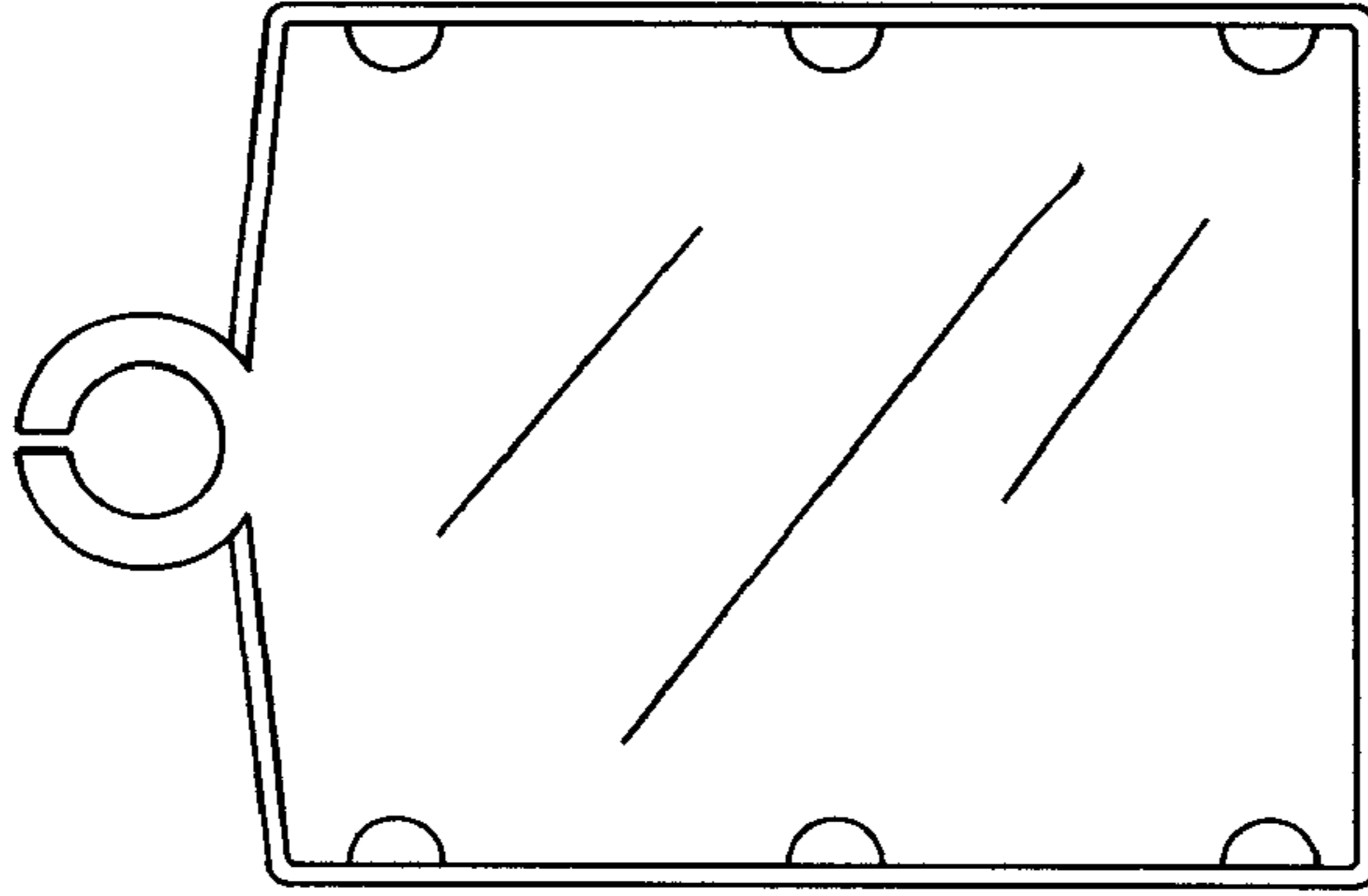


Fig. 14

