



US00D516629S

(12) **United States Design Patent**
McDonald

(10) **Patent No.:** **US D516,629 S**

(45) **Date of Patent:** **** Mar. 7, 2006**

(54) **SPORTS MANNEQUIN**

(76) **Inventor:** **Dar'Rell McDonald**, 304 Pinyon La.,
Coppell, TX (US) 75019

(**) **Term:** **14 Years**

(21) **Appl. No.:** **29/222,941**

(22) **Filed:** **Feb. 7, 2005**

(51) **LOC (8) Cl.** **20-03**

(52) **U.S. Cl.** **D20/31**

(58) **Field of Classification Search** D20/10,
D20/29, 30, 31, 32, 33, 99; D6/450, 453,
D6/539; D11/136, 160; 40/1, 411, 538, 539,
40/540, 584; 223/66, 67, 68, 78, 79, 80; 473/434,
473/439, 462

See application file for complete search history.

(56) **References Cited**

U.S. PATENT DOCUMENTS

1,412,147	A	*	4/1922	Taylor	40/538
D78,366	S	*	4/1929	Shepard	D20/31
D116,527	S	*	9/1939	Forbell	D20/31
D116,587	S	*	9/1939	Williams	D32/59
D122,501	S	*	9/1940	Sargent	D11/136
2,528,021	A	*	10/1950	Tanzer	223/68
D250,885	S	*	1/1979	Newman	D11/160
D305,213	S	*	12/1989	Hughes	D10/109
5,333,856	A	*	8/1994	Gery	473/454
5,516,115	A	*	5/1996	McLain	473/417
D375,527	S	*	11/1996	Keogh	D20/31
5,803,841	A	*	9/1998	Daskoski	473/454

D407,926	S	*	4/1999	Ronen	D6/497
D414,815	S	*	10/1999	McDonald	D20/31
D434,081	S	*	11/2000	Gruber	D20/31
D462,999	S	*	9/2002	Evans et al.	D20/31

* cited by examiner

Primary Examiner—Robert M. Spear

(74) *Attorney, Agent, or Firm*—Jack A. Kanz

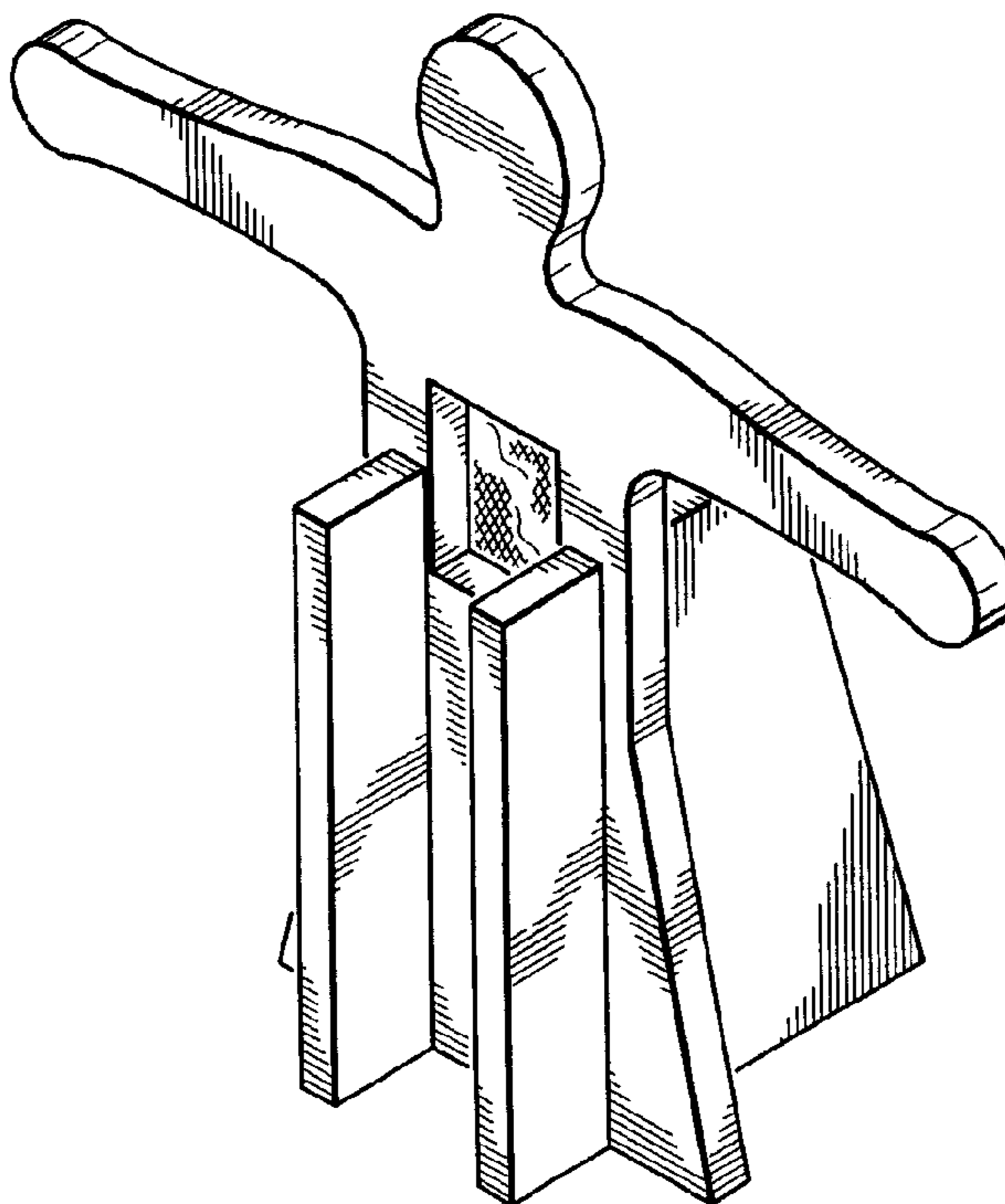
(57) **CLAIM**

The ornamental design for a sports mannequin, as shown and described.

DESCRIPTION

FIG. 1 is a top front perspective view of a first embodiment of a sports mannequin showing my new design;
 FIG. 2 is a front elevational view thereof;
 FIG. 3 is a rear elevational view thereof;
 FIG. 4 is a side elevational view of the left-hand side thereof; the elevational view of the right-hand side being a mirror image of FIG. 4;
 FIG. 5 is a top plan view thereof;
 FIG. 6 is a bottom plan view thereof;
 FIG. 7 is a top front perspective view of a second embodiment of the sports mannequin of the invention, the only difference from the disclosure of the first embodiment being orientation of the arms; and,
 FIG. 8 is a top front perspective view of a third embodiment of the sports mannequin of the invention, the only difference from the disclosure of the first embodiment being orientation of the arms.

1 Claim, 3 Drawing Sheets



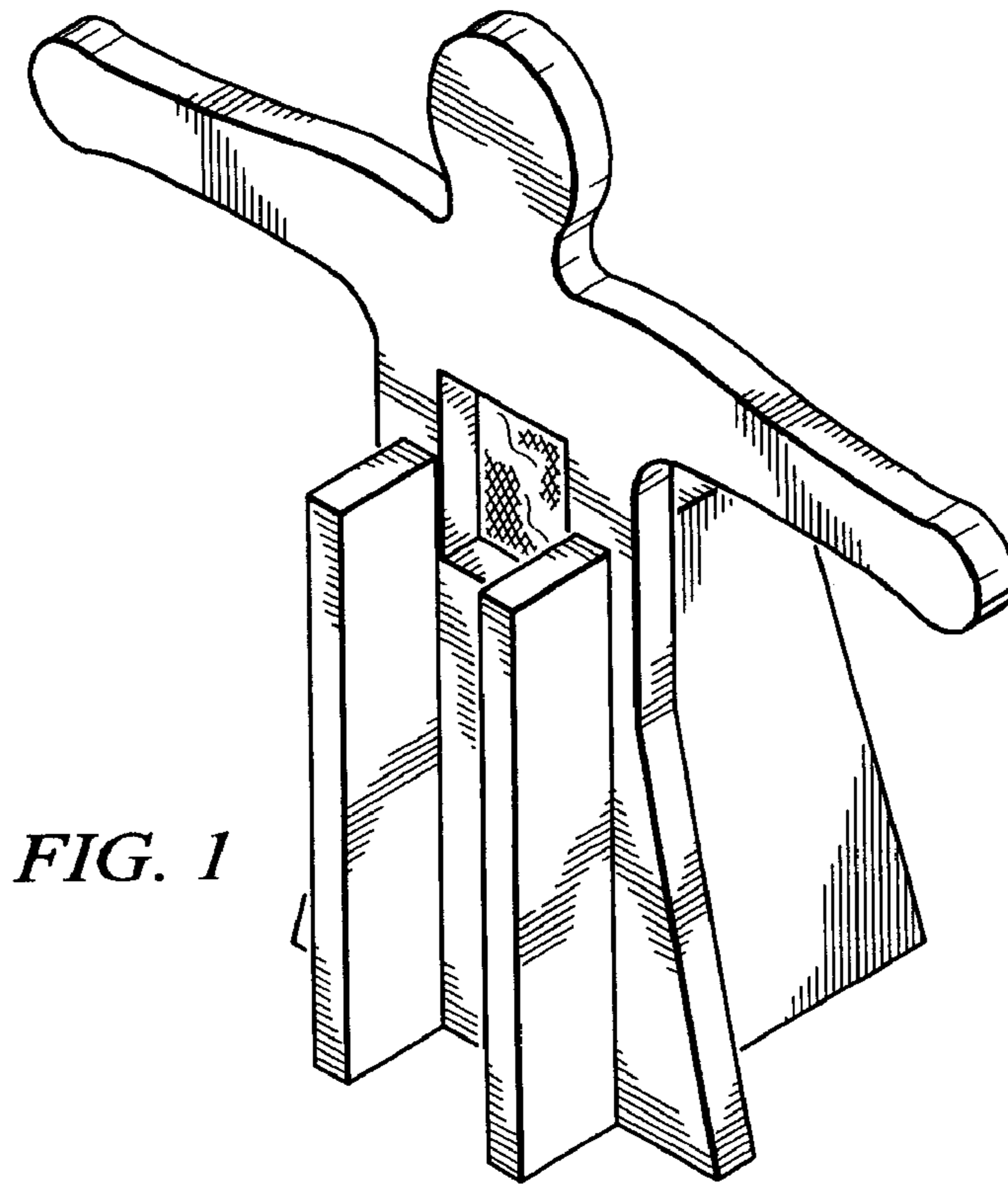


FIG. 1

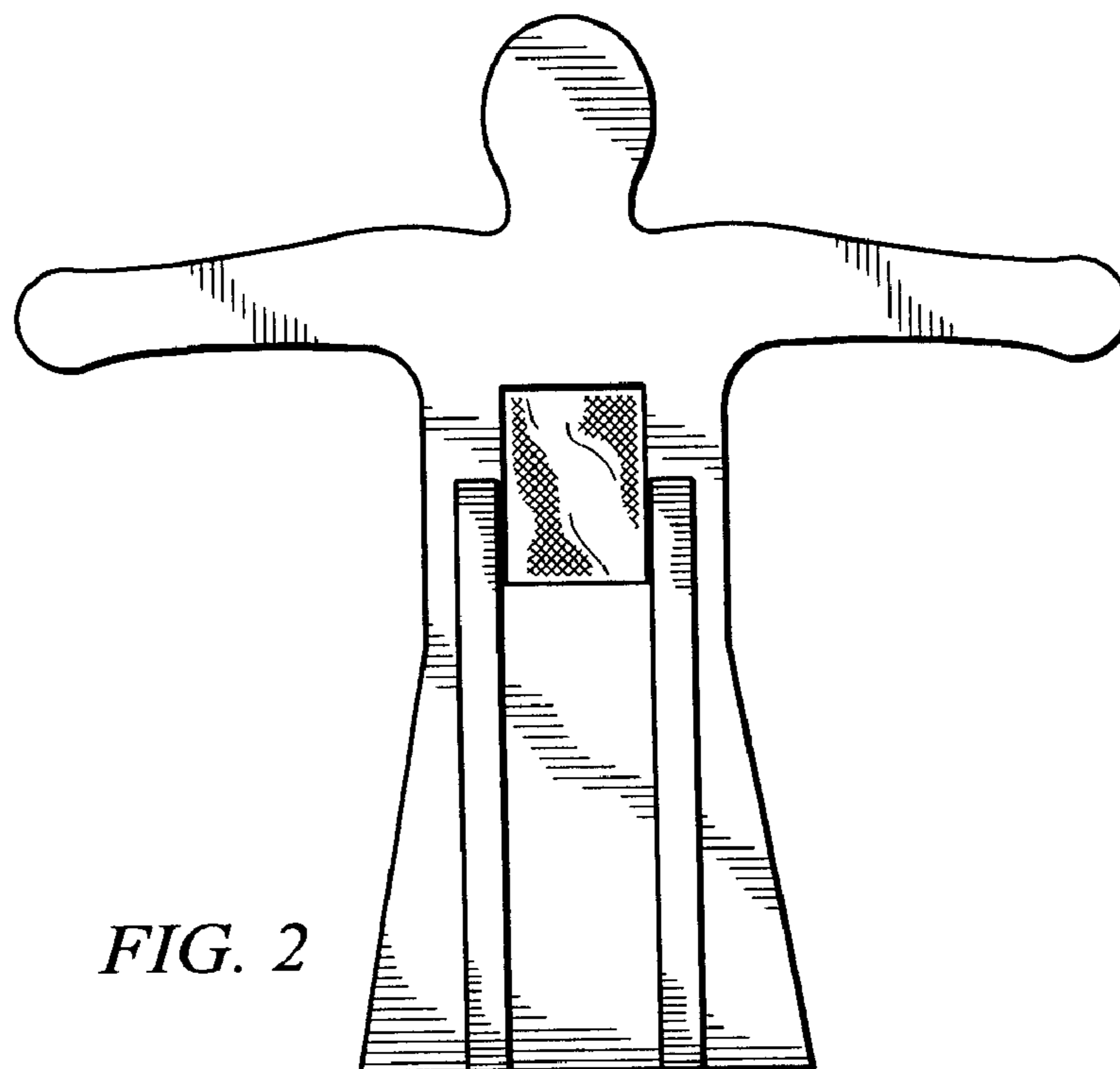


FIG. 2

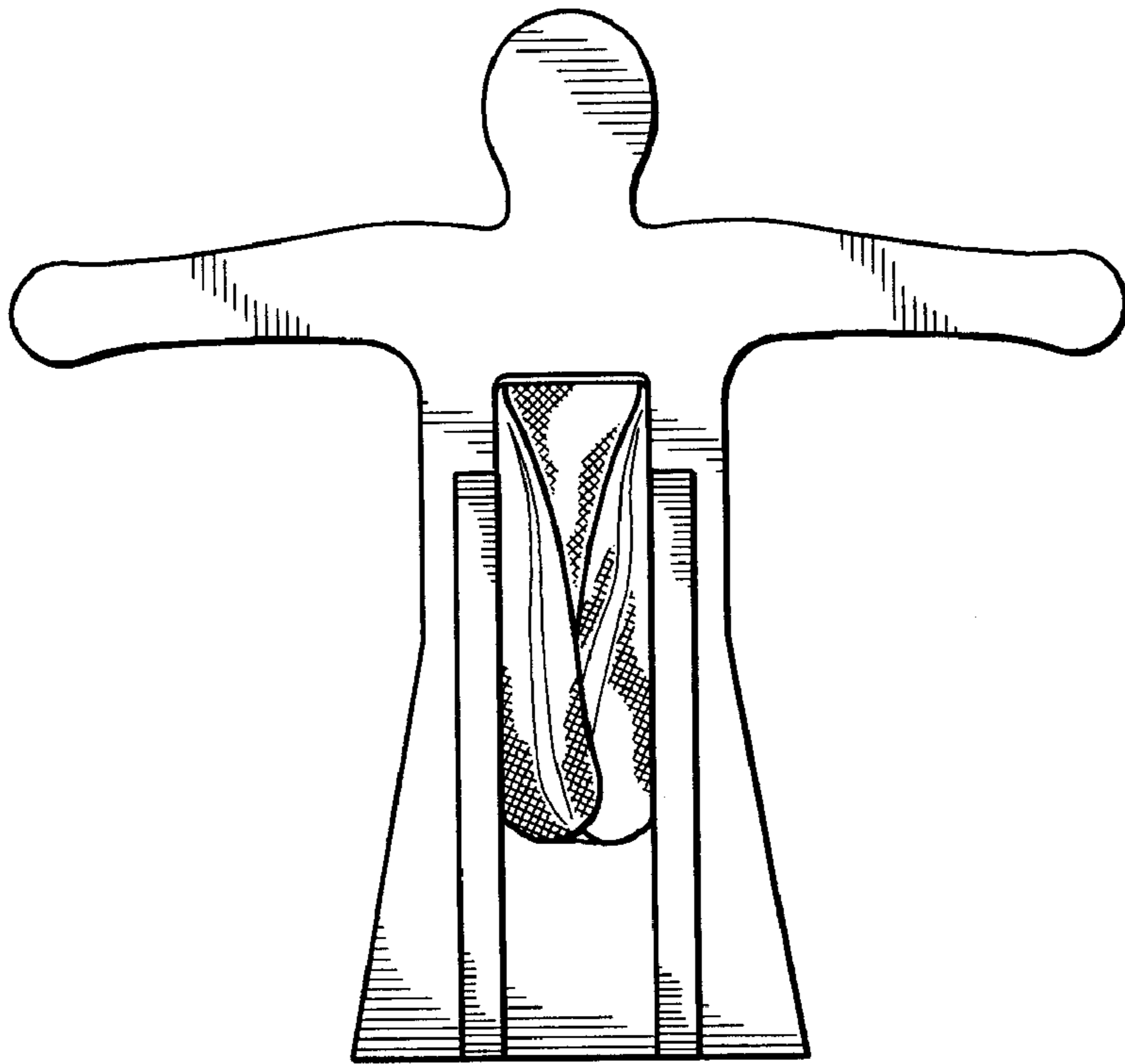


FIG. 3

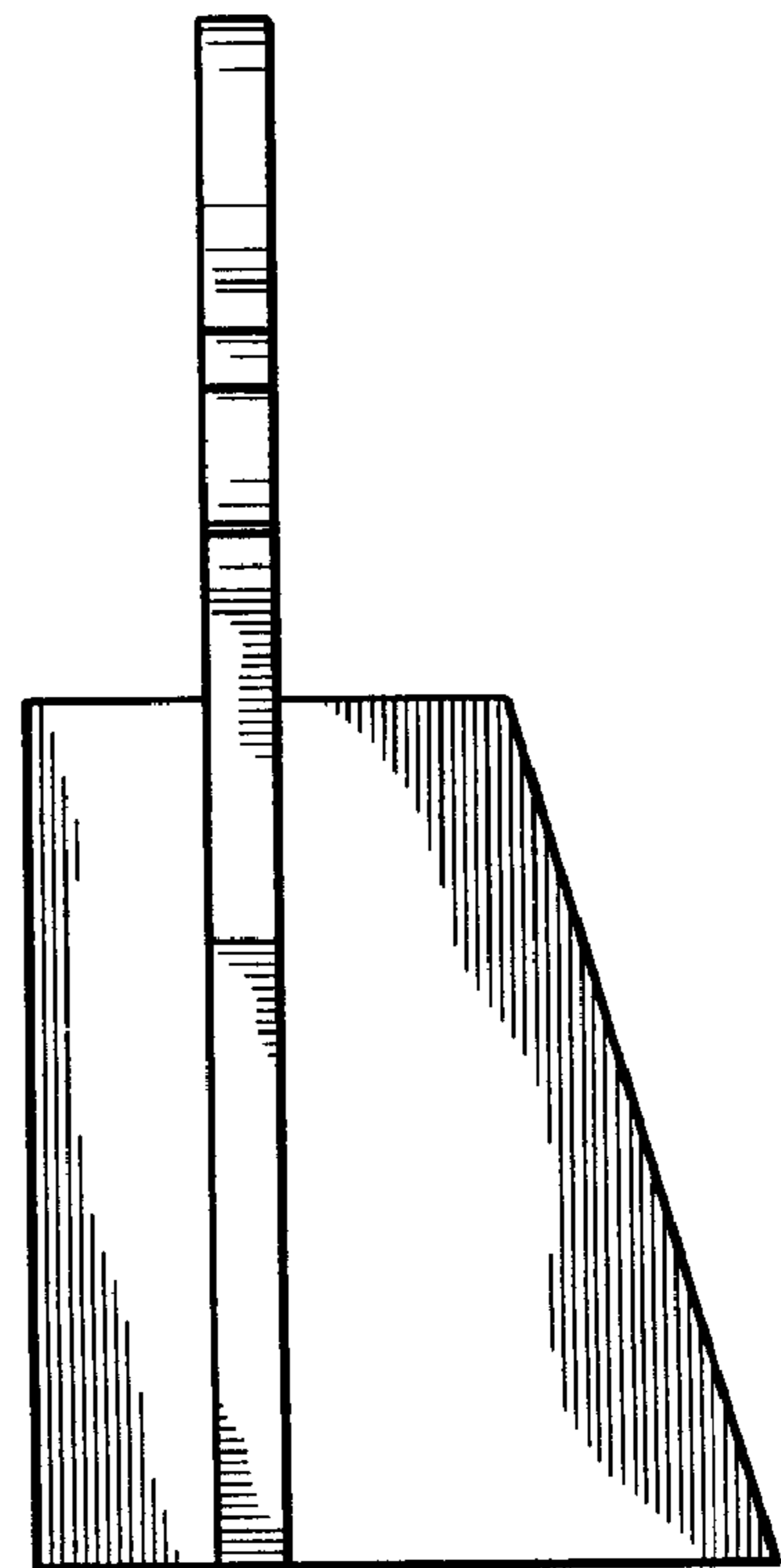


FIG. 4

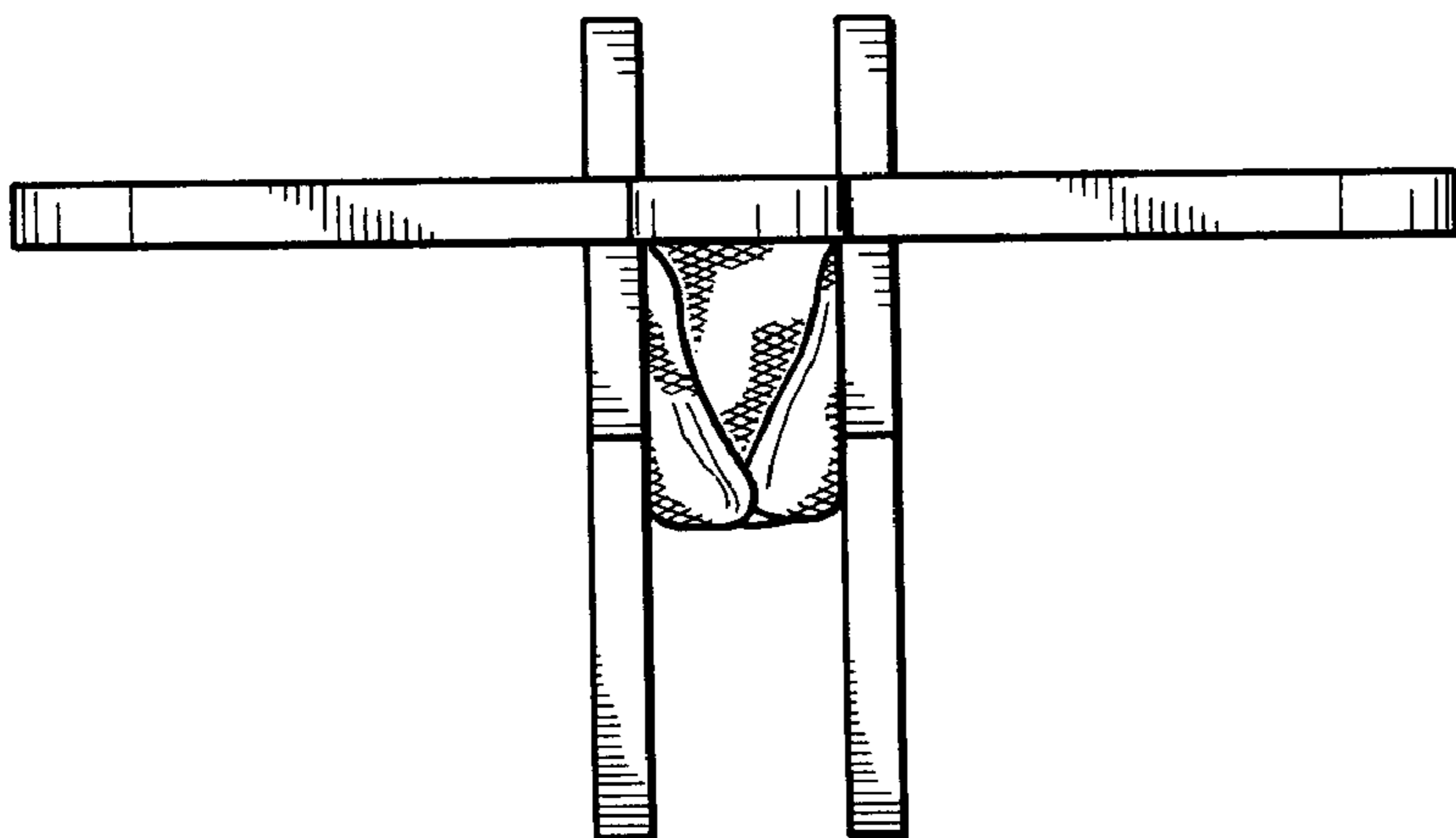


FIG. 5

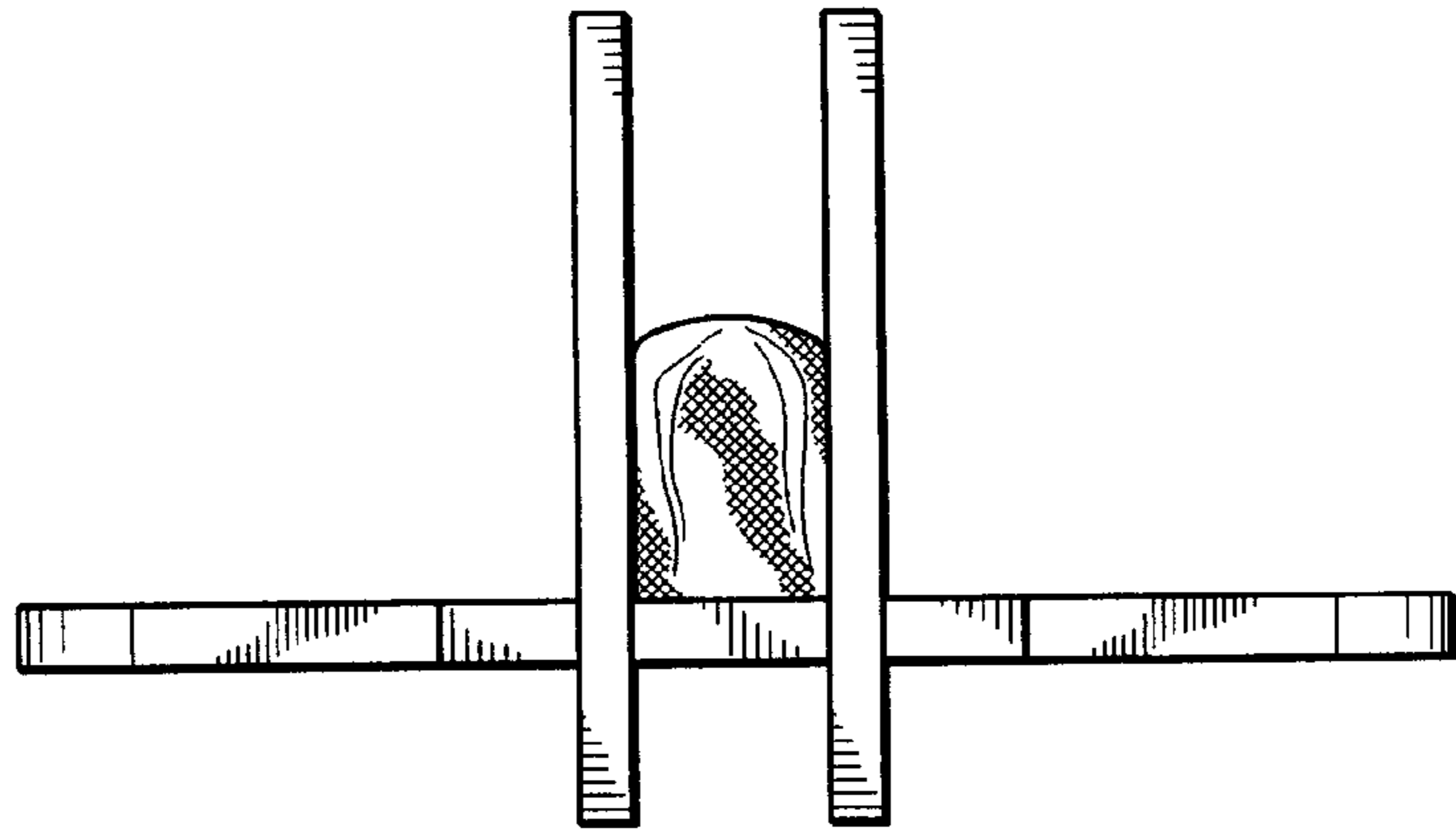


FIG. 6

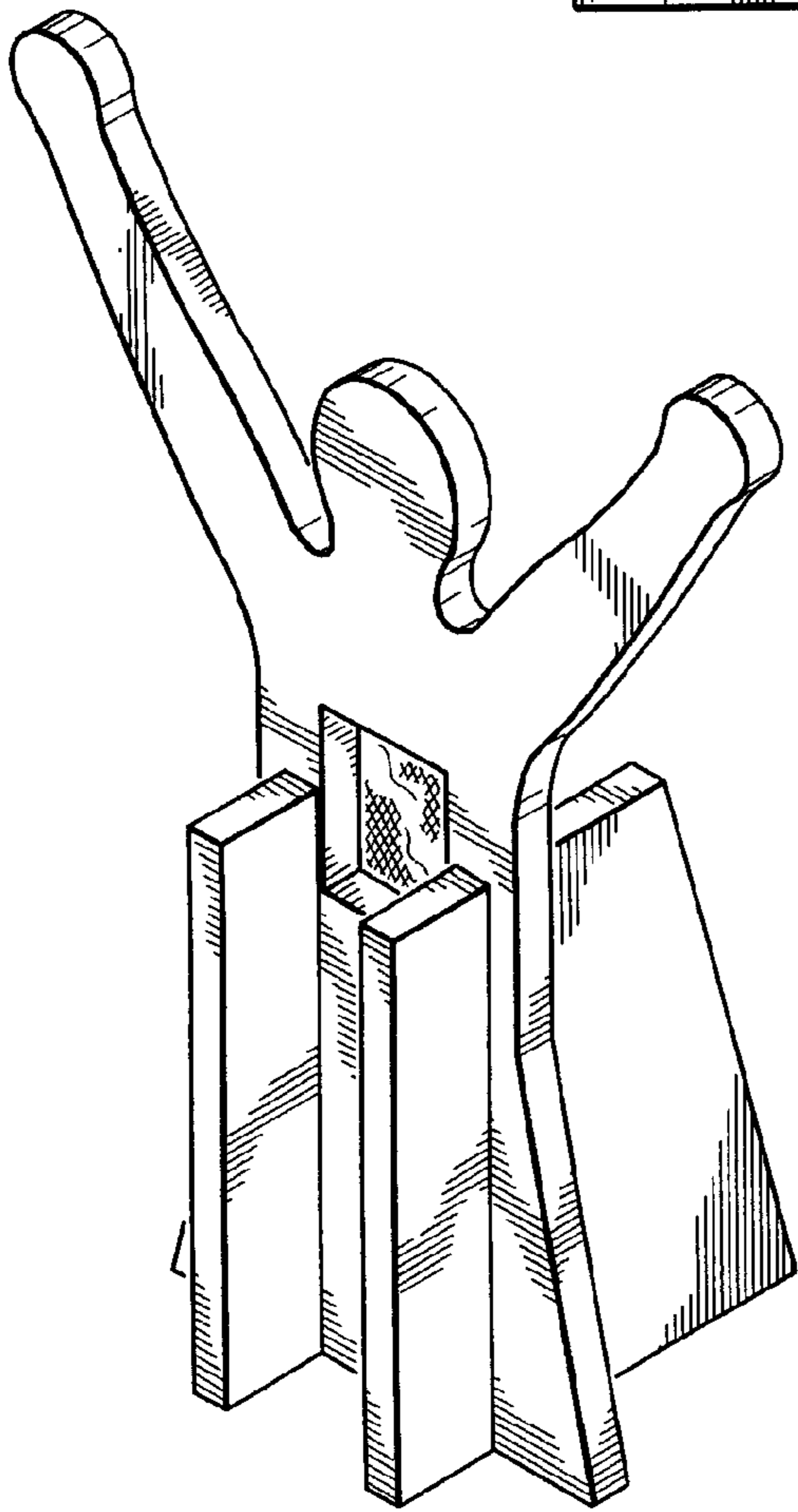


FIG. 7

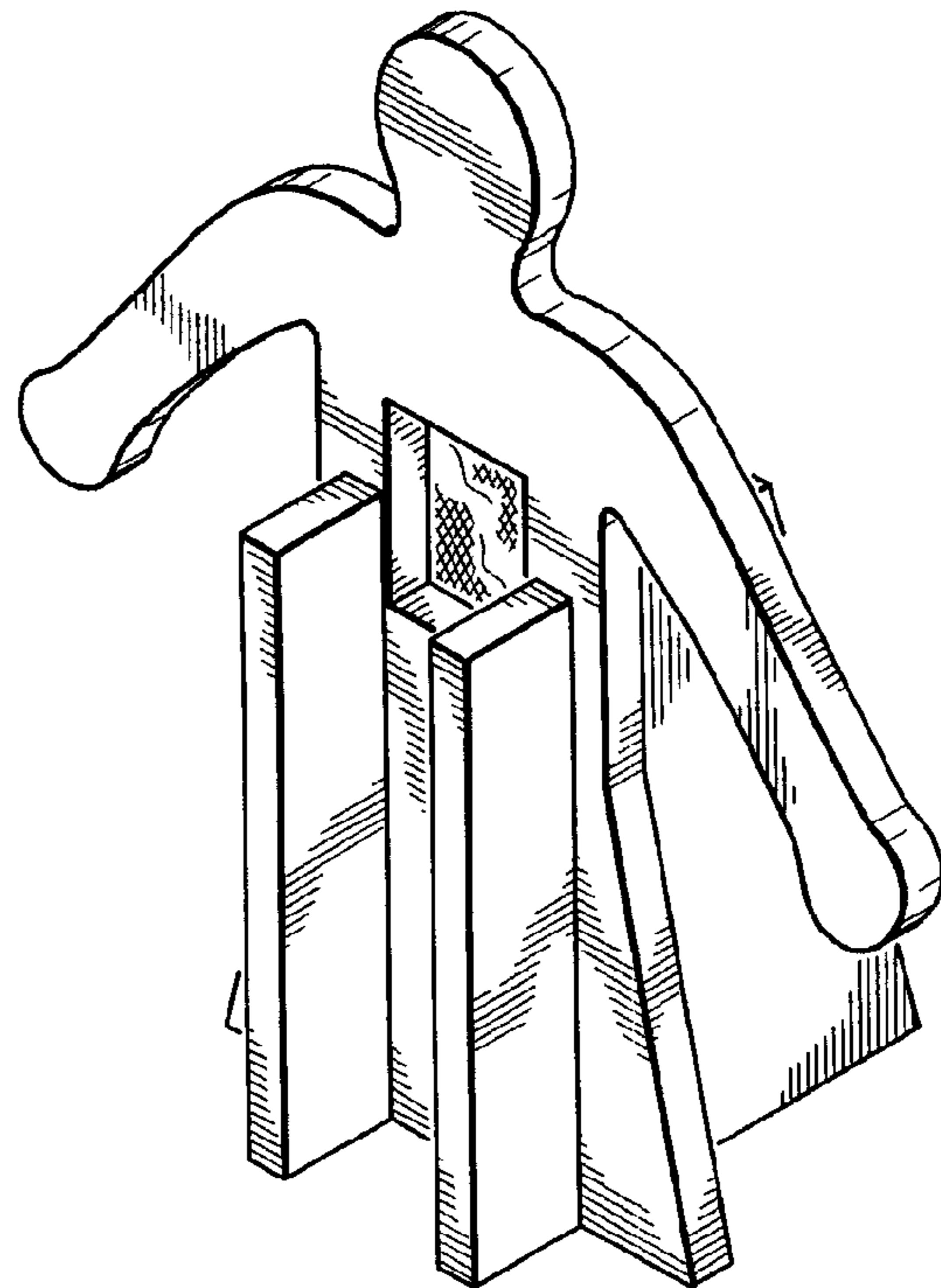


FIG. 8