

US00D516623S

(12) **United States Design Patent**
Lee et al.

(10) **Patent No.:** **US D516,623 S**
(45) **Date of Patent:** **** Mar. 7, 2006**

(54) **PRINTER**

(75) Inventors: **Hock Lim Lee**, Singapore (SG);
Mylene Angele Kit Njoek Tjin Wong
Joe, Singapore (SG); **Chee Kuan**
Evelyn Ho, Singapore (SG); **Baskar**
Parthasarathy, Singapore (SG)

(73) Assignee: **Hewlett-Packard Development**
Company, L.P., Houston, TX (US)

(**) Term: **14 Years**

(21) Appl. No.: **29/203,422**

(22) Filed: **Apr. 13, 2004**

(51) **LOC (8) Cl.** **14-02**

(52) **U.S. Cl.** **D18/55**

(58) **Field of Classification Search** D18/36-39,
D18/46-49, 53-54, 54.1, 55; D14/420-425,
D14/462-470; 400/613, 613.1-613.4, 690.1-690.4,
400/691-694

See application file for complete search history.

(56) **References Cited**

U.S. PATENT DOCUMENTS

D348,899 S * 7/1994 Masujima et al. D18/55

D354,981 S * 1/1995 Kobayashi et al. D18/54
D379,197 S * 5/1997 Kawahara et al. D18/55
D402,689 S * 12/1998 Brown et al. D18/55
D436,371 S * 1/2001 Shimamura D18/50
D439,273 S * 3/2001 Sato et al. D18/54.1
D448,044 S * 9/2001 Wu et al. D18/55
D474,500 S * 5/2003 Ichiyoshi D18/55

* cited by examiner

Primary Examiner—Cathy Anne MacCormac

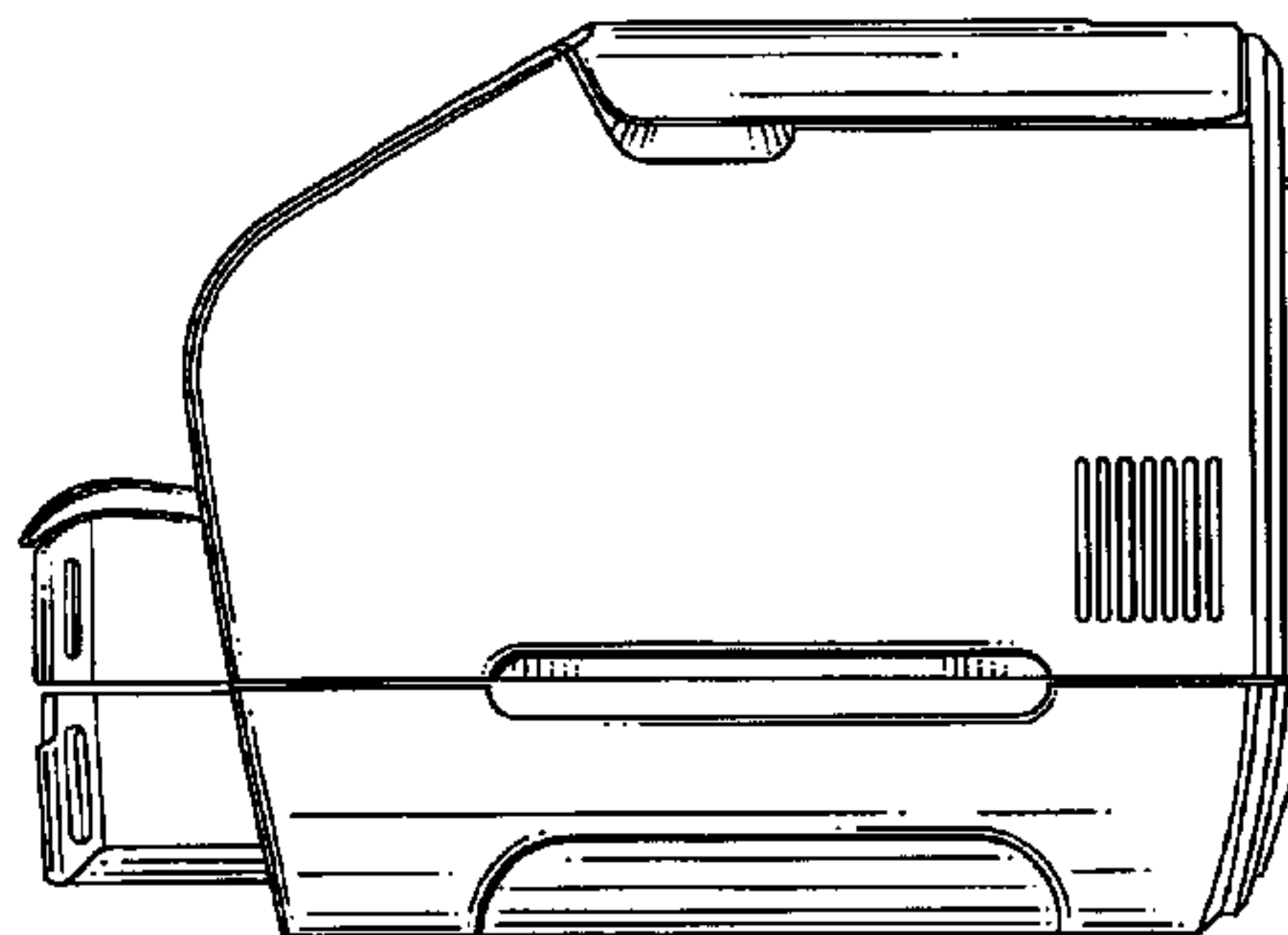
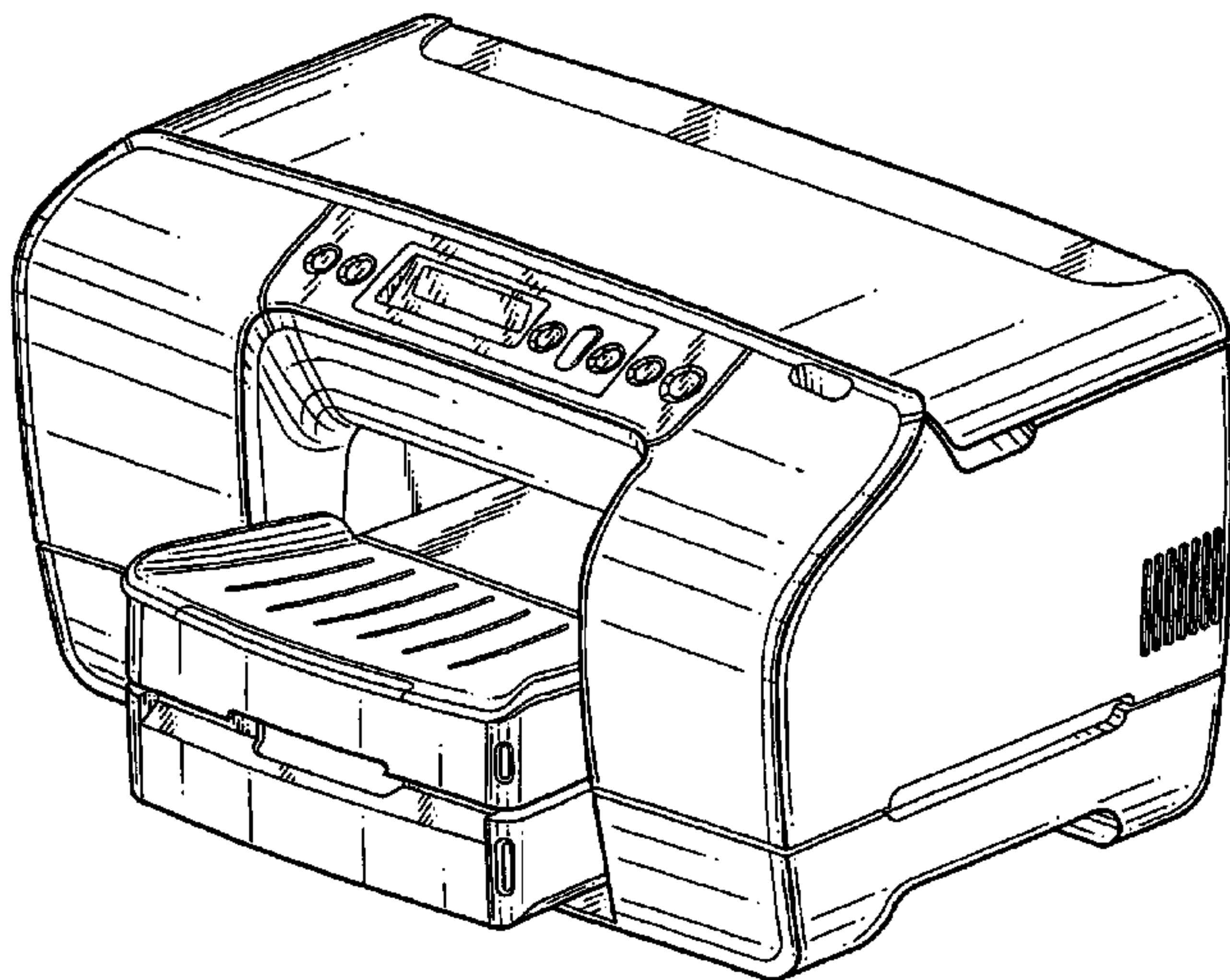
(57) **CLAIM**

The ornamental design for a printer, as shown.

DESCRIPTION

FIG. 1 is a perspective view of a printer, with two bins;
FIG. 2 is a front elevational view thereof;
FIG. 3 is a rear elevational view thereof;
FIG. 4 is a top view thereof;
FIG. 5 is a bottom view thereof;
FIG. 6 is a left side view thereof; and,
FIG. 7 is a right side view thereof.

1 Claim, 7 Drawing Sheets



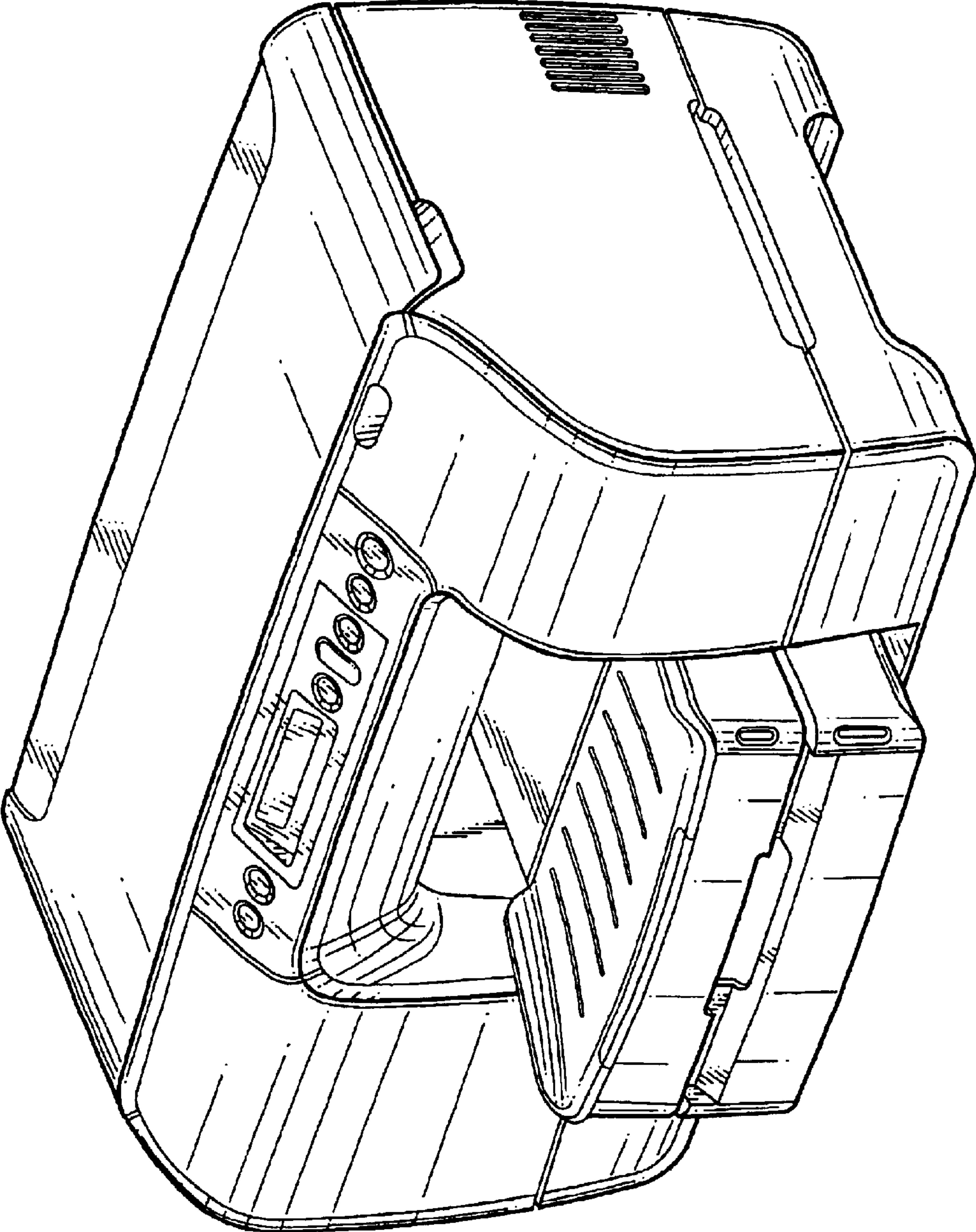


Figure 1

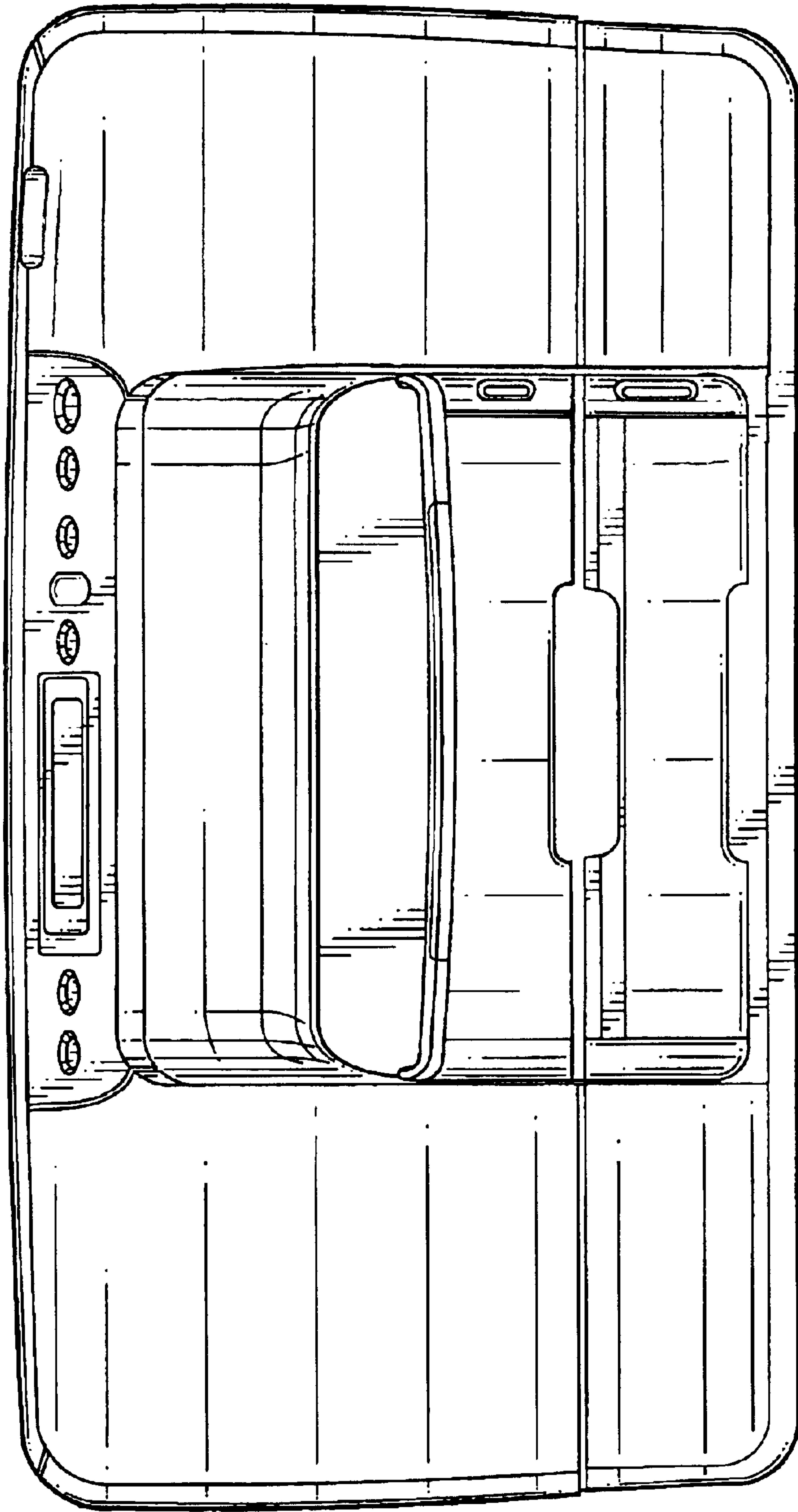


Figure 2

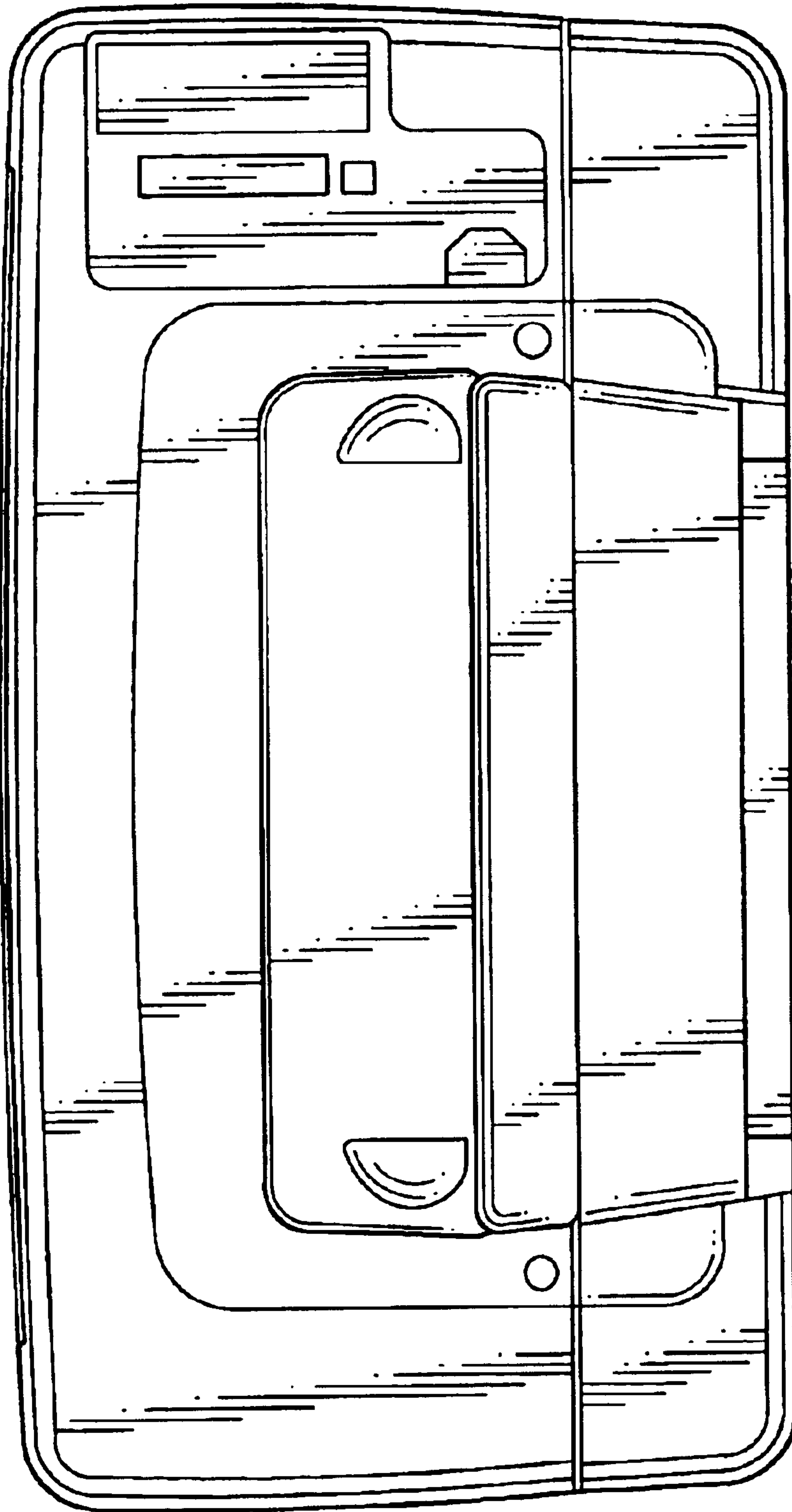


Figure 3

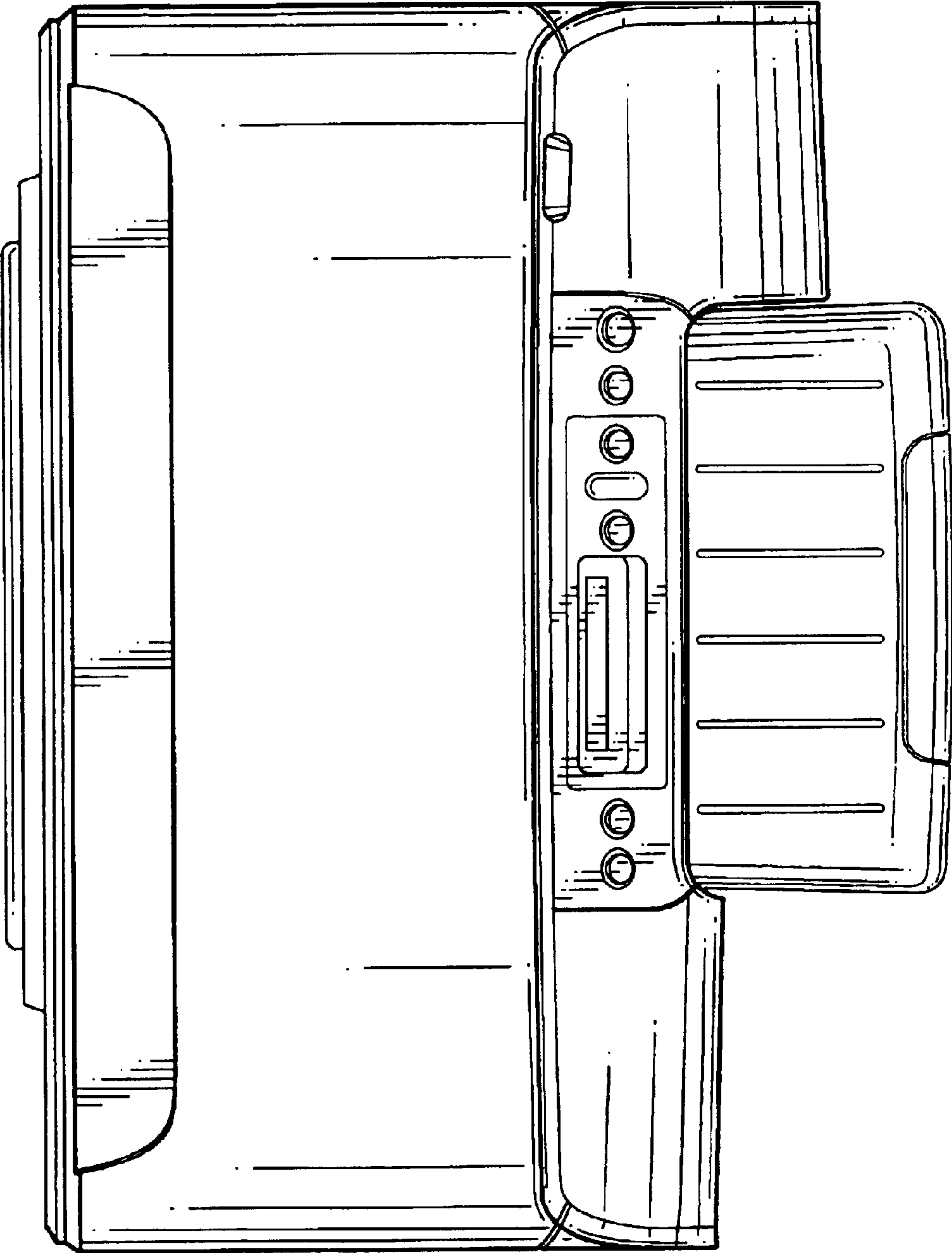


Figure 4

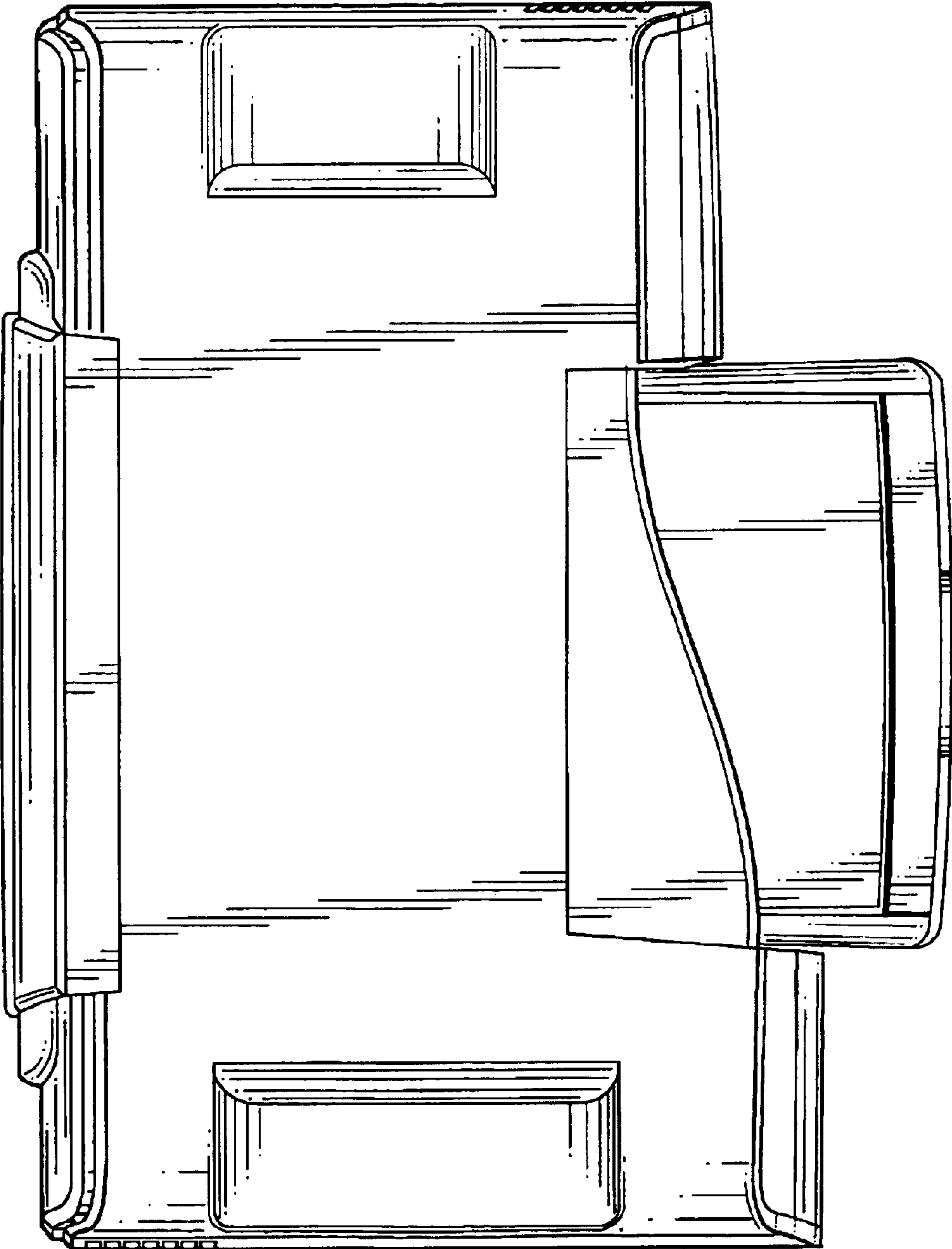


Figure 5

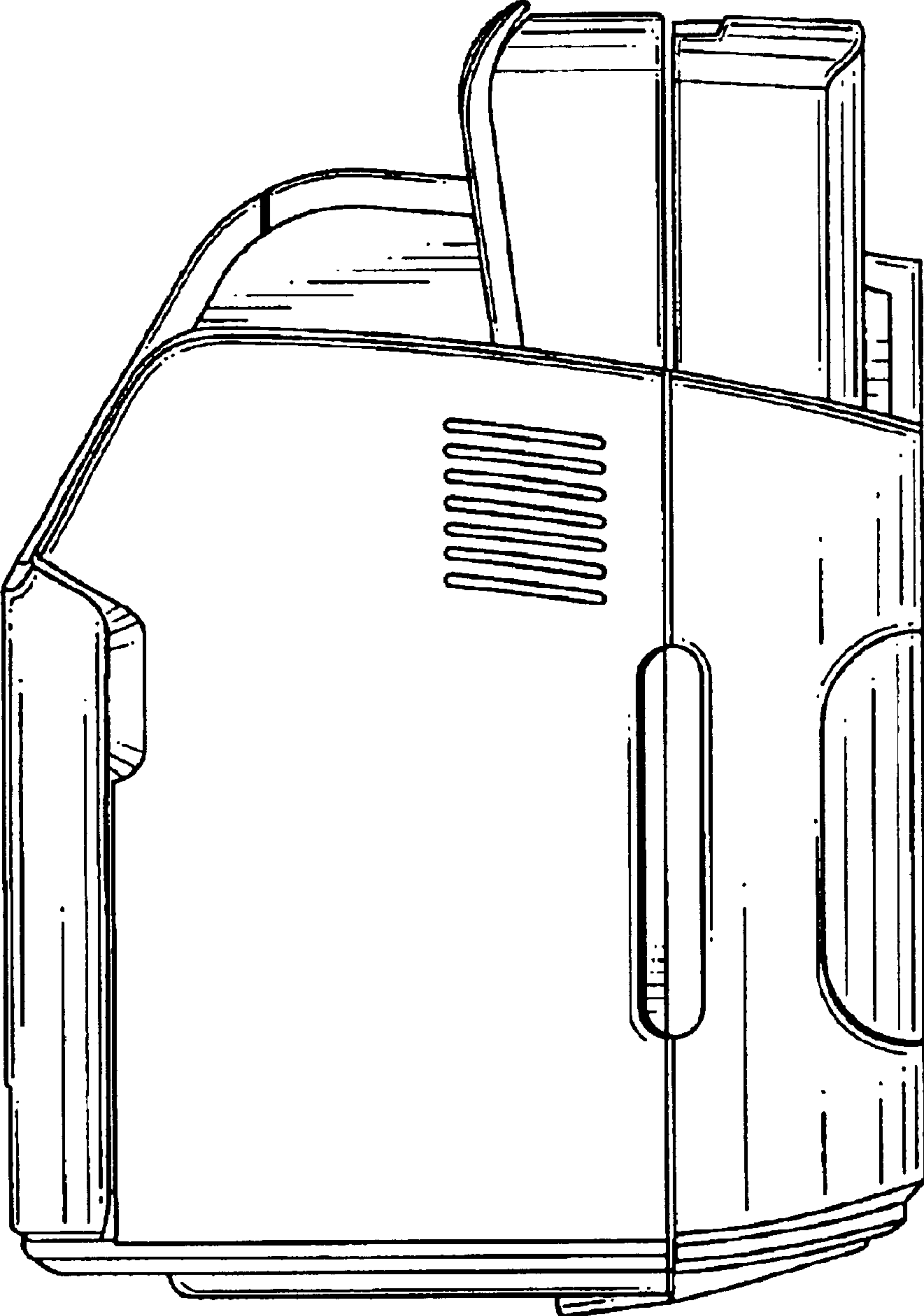


Figure 6

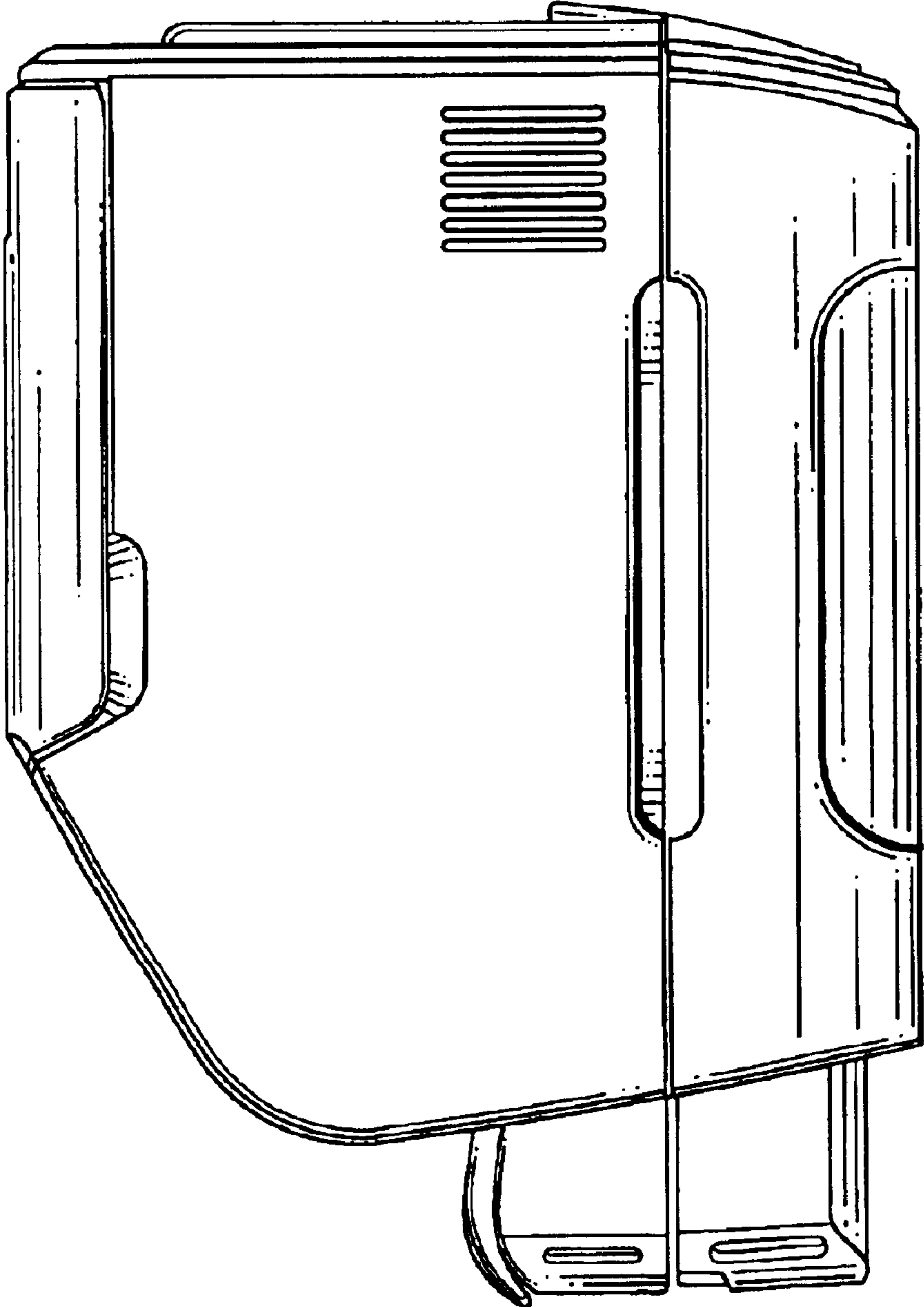


Figure 7