



US00D516622S

(12) **United States Design Patent**  
**Suzuki et al.**

(10) **Patent No.:** **US D516,622 S**  
(45) **Date of Patent:** **\*\* Mar. 7, 2006**

(54) **PRINTER**

(75) Inventors: **Wataru Suzuki**, Nagano-ken (JP);  
**Takayuki Iijima**, Nagano-ken (JP);  
**Daisuke Imai**, Nagano-ken (JP); **Emi Akahane**, Nagano-ken (JP); **Masahiko Kobayashi**, Nagano (JP)

(73) Assignee: **Seiko Epson Corporation**, Tokyo (JP)

(\*\*) Term: **14 Years**

(21) Appl. No.: **29/199,824**

(22) Filed: **Feb. 20, 2004**

(30) **Foreign Application Priority Data**

Aug. 21, 2003 (JP) ..... 2003-024171

(51) **LOC (8) Cl.** ..... **14-02**

(52) **U.S. Cl.** ..... **D18/55**

(58) **Field of Classification Search** ..... D18/14,  
D18/19, 21, 36-39, 53-54, 54.1, 55; D14/420-425,  
D14/462-470; 400/613, 613.1-613.4, 690.1-690.4,  
400/691-694

See application file for complete search history.

(56) **References Cited**

**U.S. PATENT DOCUMENTS**

D441,783 S \* 5/2001 Kawahara et al. .... D18/55  
D445,823 S \* 7/2001 Kawahara et al. .... D18/50  
D448,043 S \* 9/2001 Kawahara et al. .... D18/50

D453,352 S \* 2/2002 Yamano et al. .... D18/55  
D468,765 S \* 1/2003 Kobayashi et al. .... D18/55  
D474,806 S \* 5/2003 Yamano et al. .... D18/55  
D489,754 S \* 5/2004 Akahane et al. .... D18/55  
D498,786 S \* 11/2004 Suzuki et al. .... D18/55  
D499,759 S \* 12/2004 Kobayashi et al. .... D18/55

**FOREIGN PATENT DOCUMENTS**

JP D 1171365 4/2003  
JP D 1184856 9/2003

\* cited by examiner

*Primary Examiner*—Cathy Anne MacCormac  
(74) *Attorney, Agent, or Firm*—Sughrue Mion, PLLC

(57) **CLAIM**

The ornamental design for a printer, as shown and described.

**DESCRIPTION**

FIG. 1 is a perspective view of the top, front and right side of a printer showing our new design; FIG. 2 is a front elevational view thereof; FIG. 3 is a rear elevational view thereof; FIG. 4 is a left side elevational view thereof; FIG. 5 is a right side elevational view thereof; FIG. 6 is a top plan view thereof; FIG. 7 is a bottom plan view thereof; and, FIG. 8 is another perspective view showing the upper and lower paper trays in the extended position.

**1 Claim, 7 Drawing Sheets**

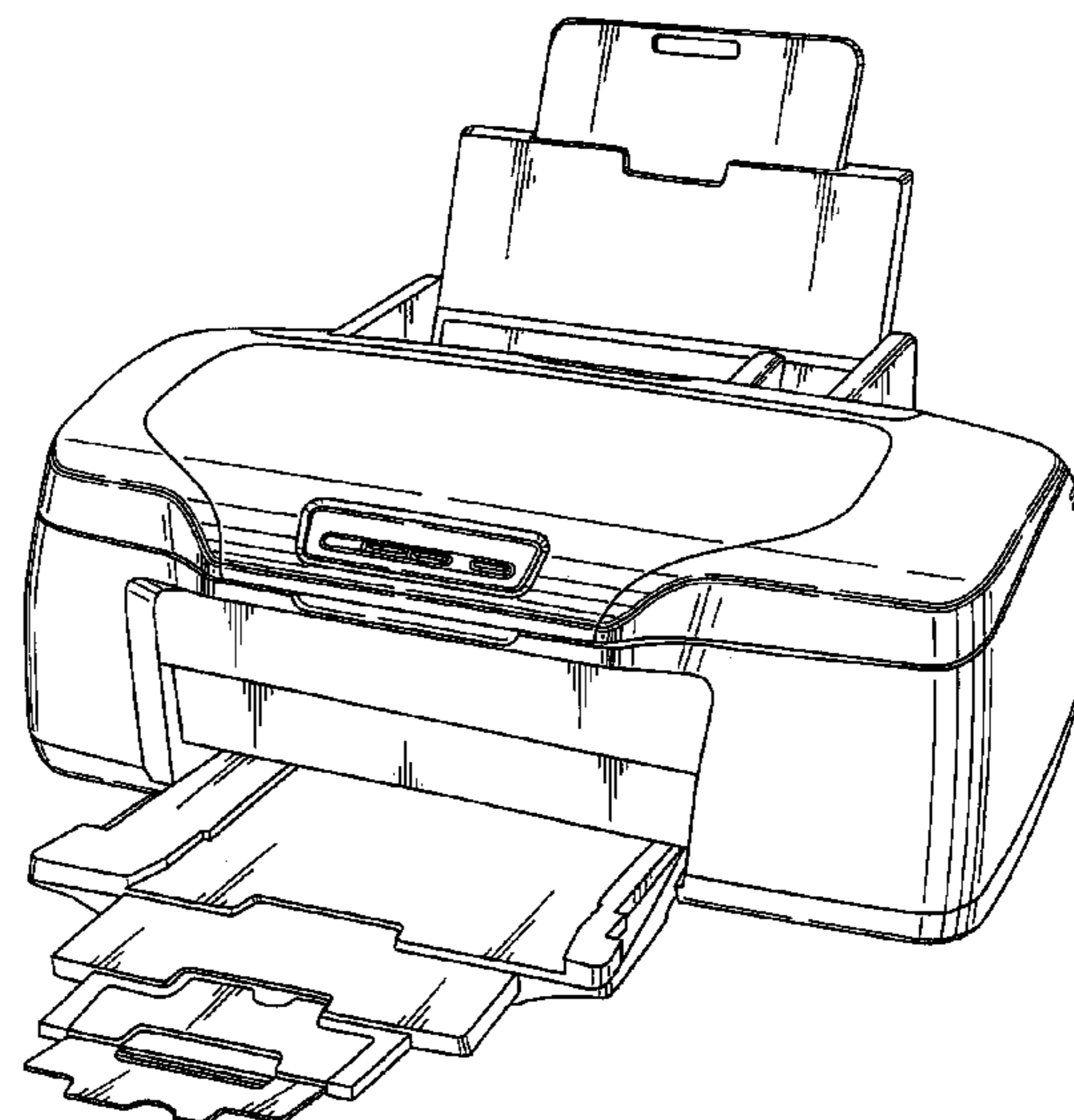
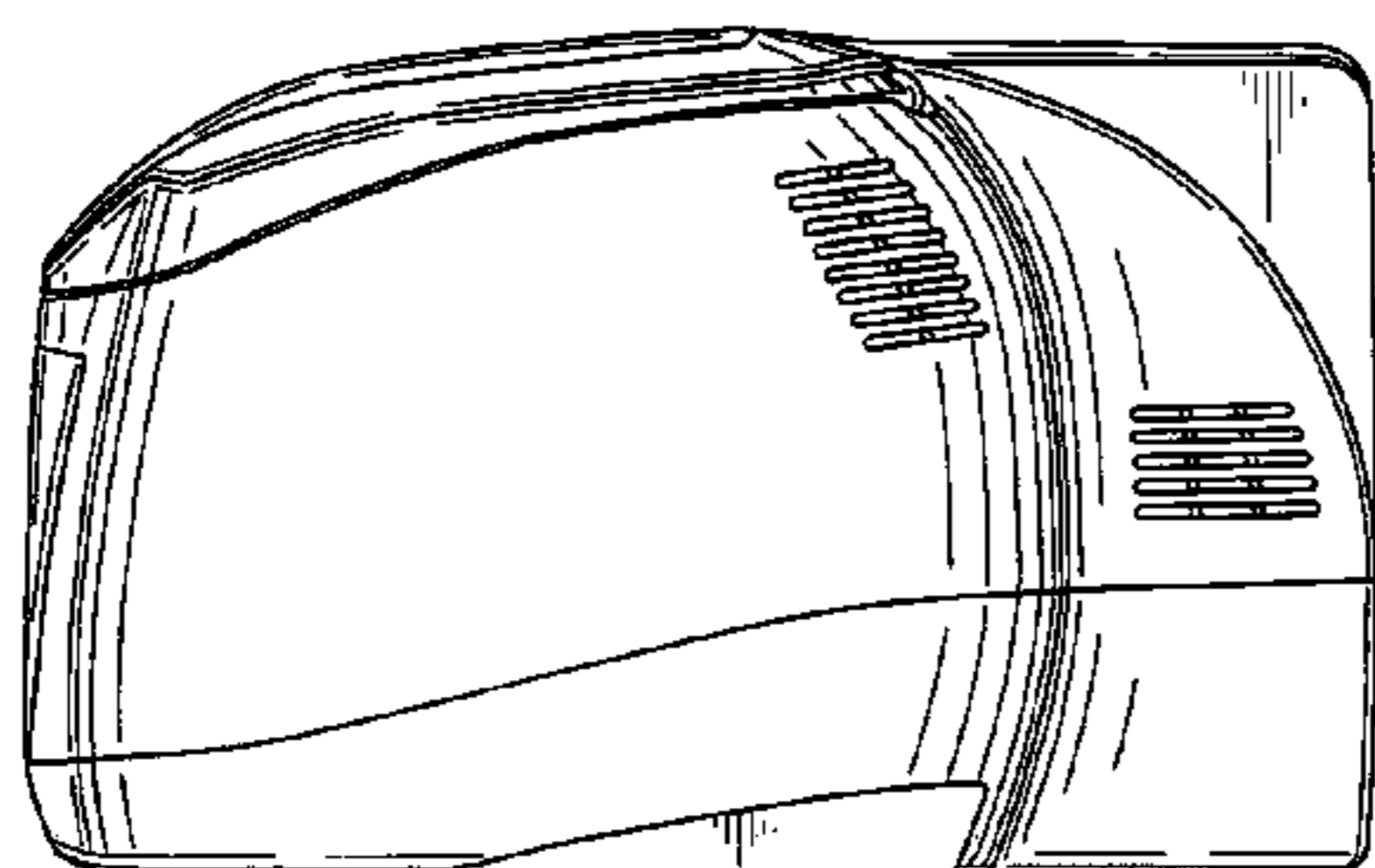
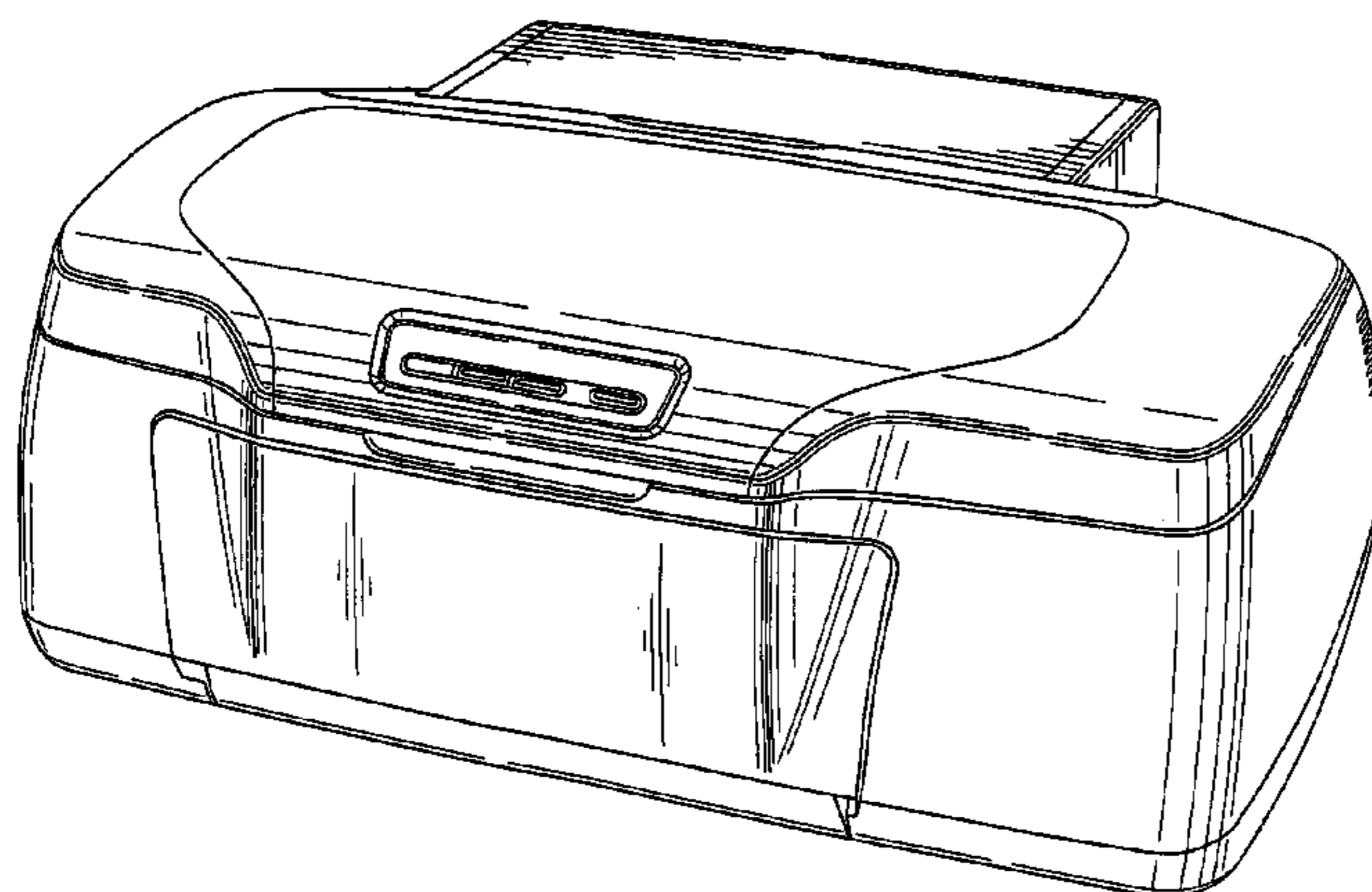


FIG. 1

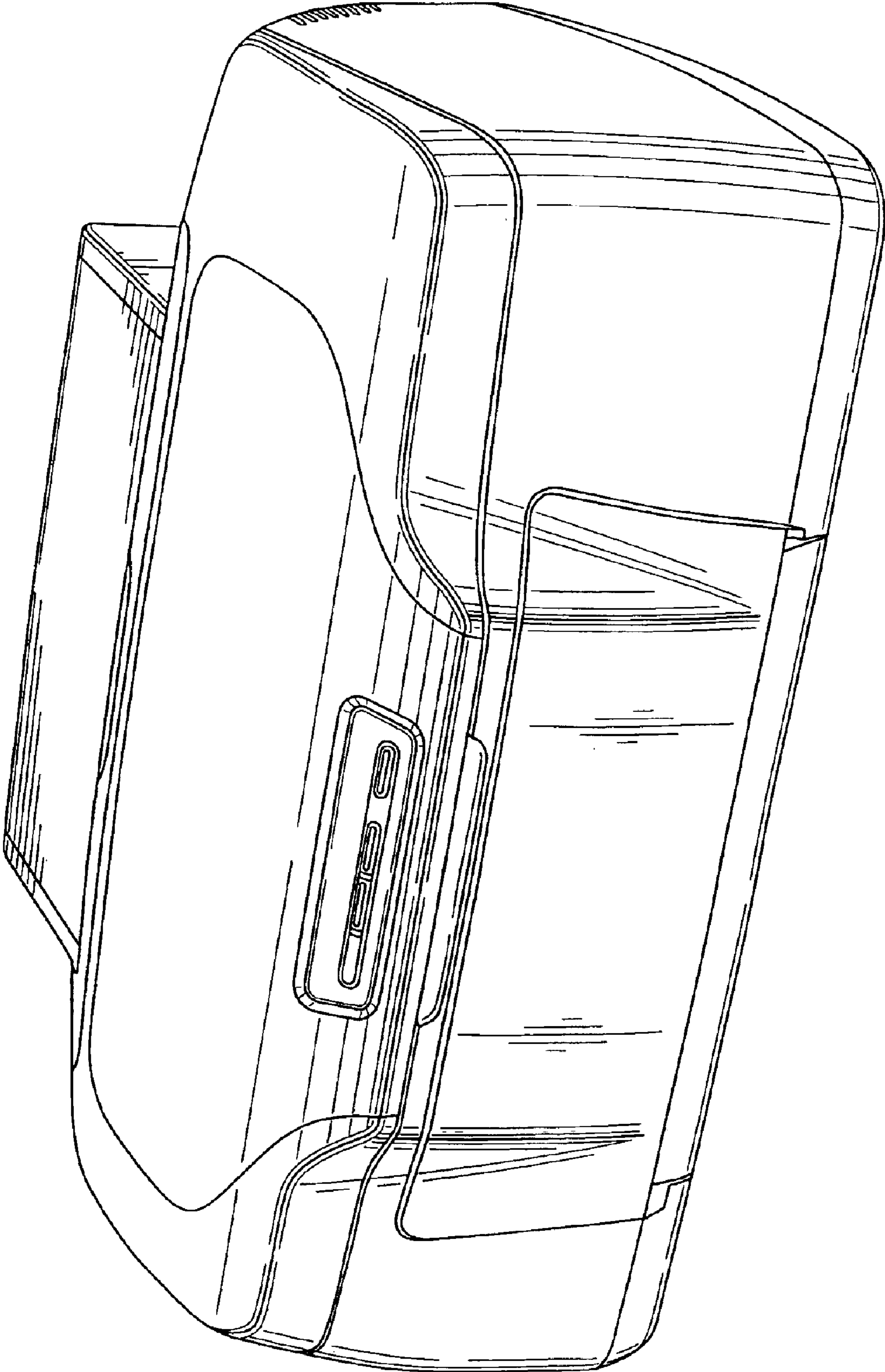


FIG. 2

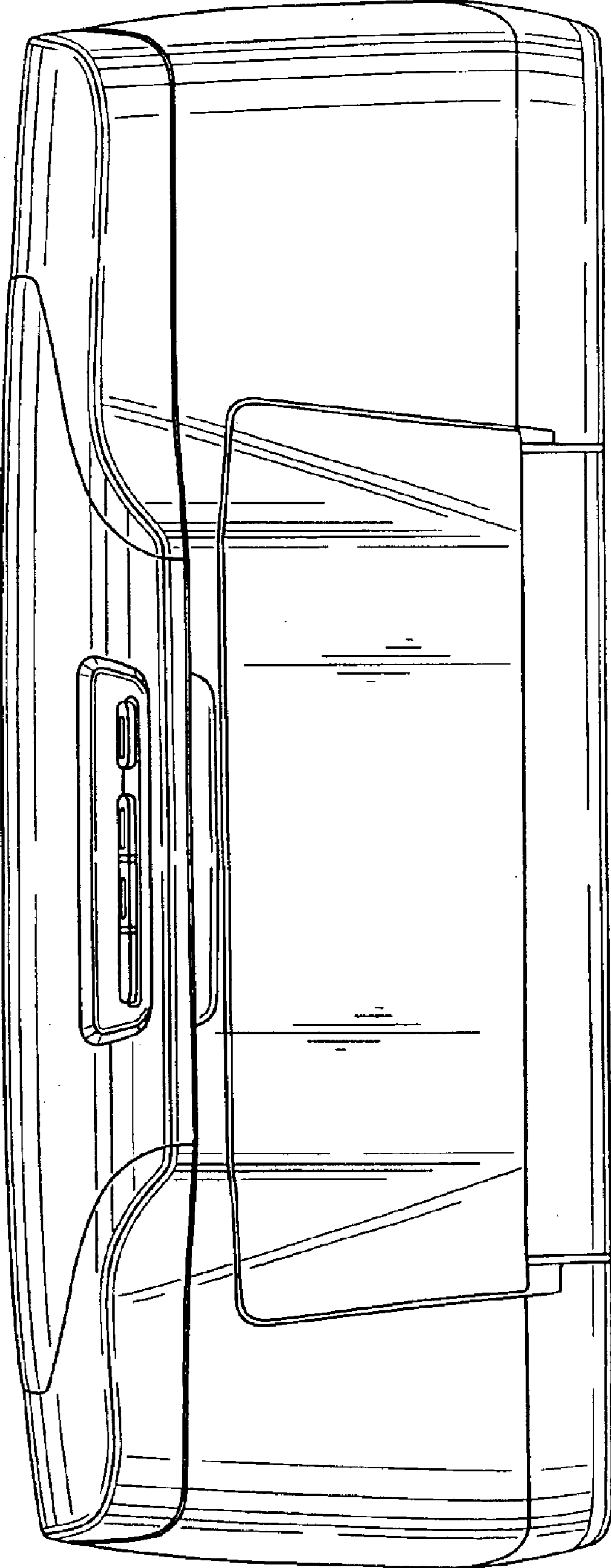
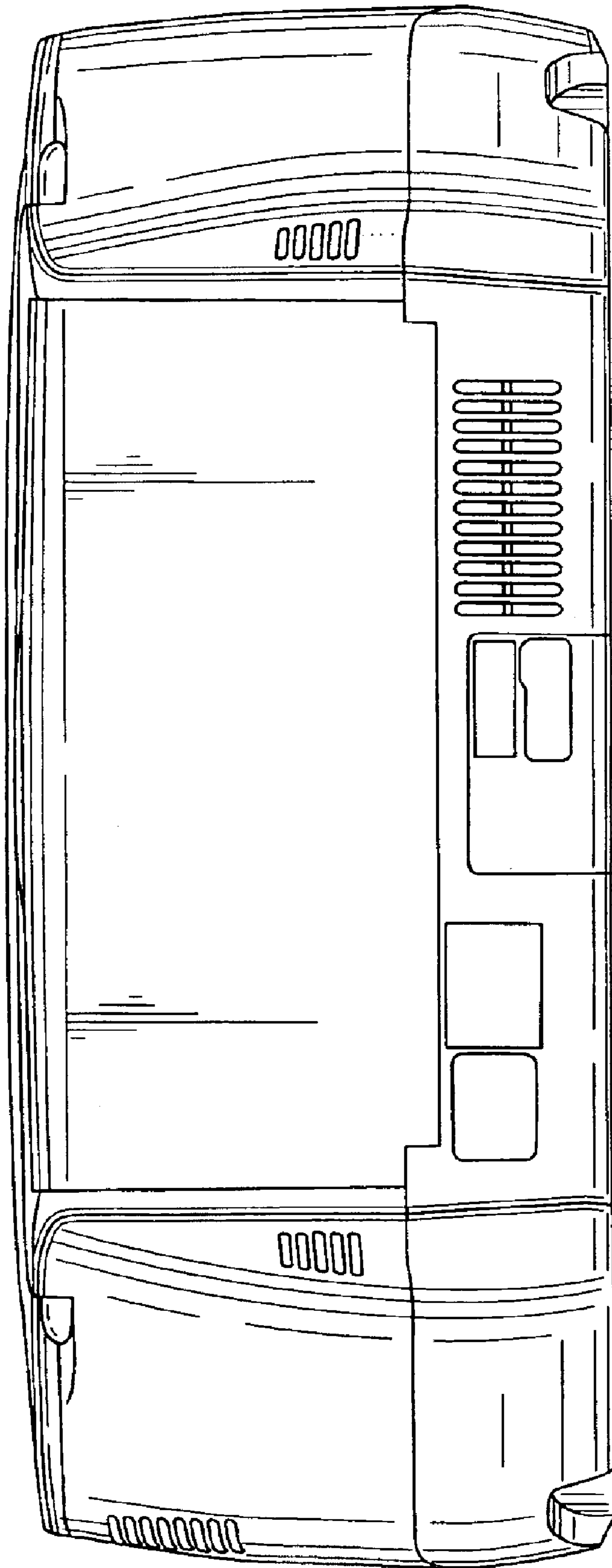
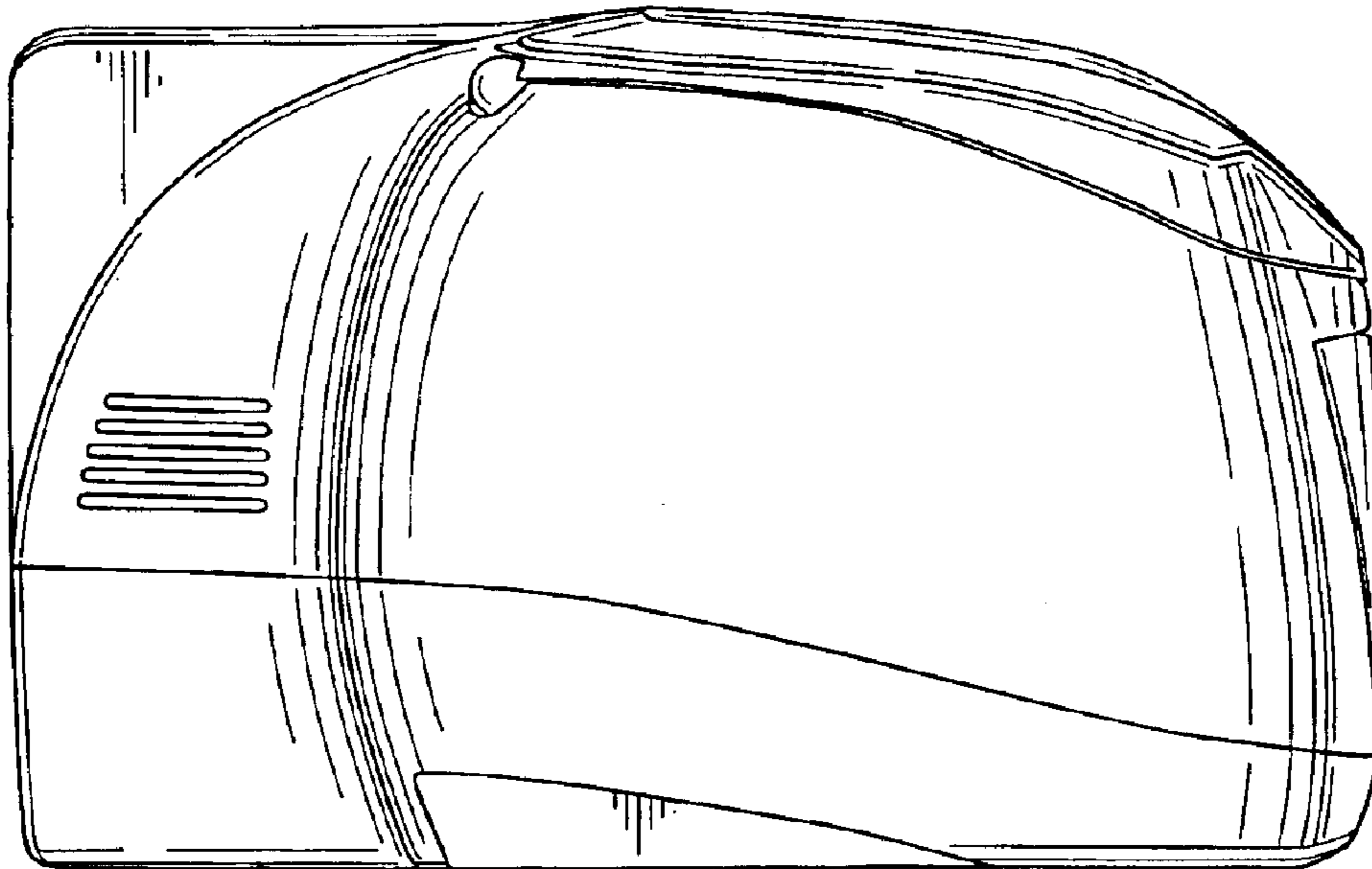


FIG. 3



*FIG. 4*



*FIG. 5*

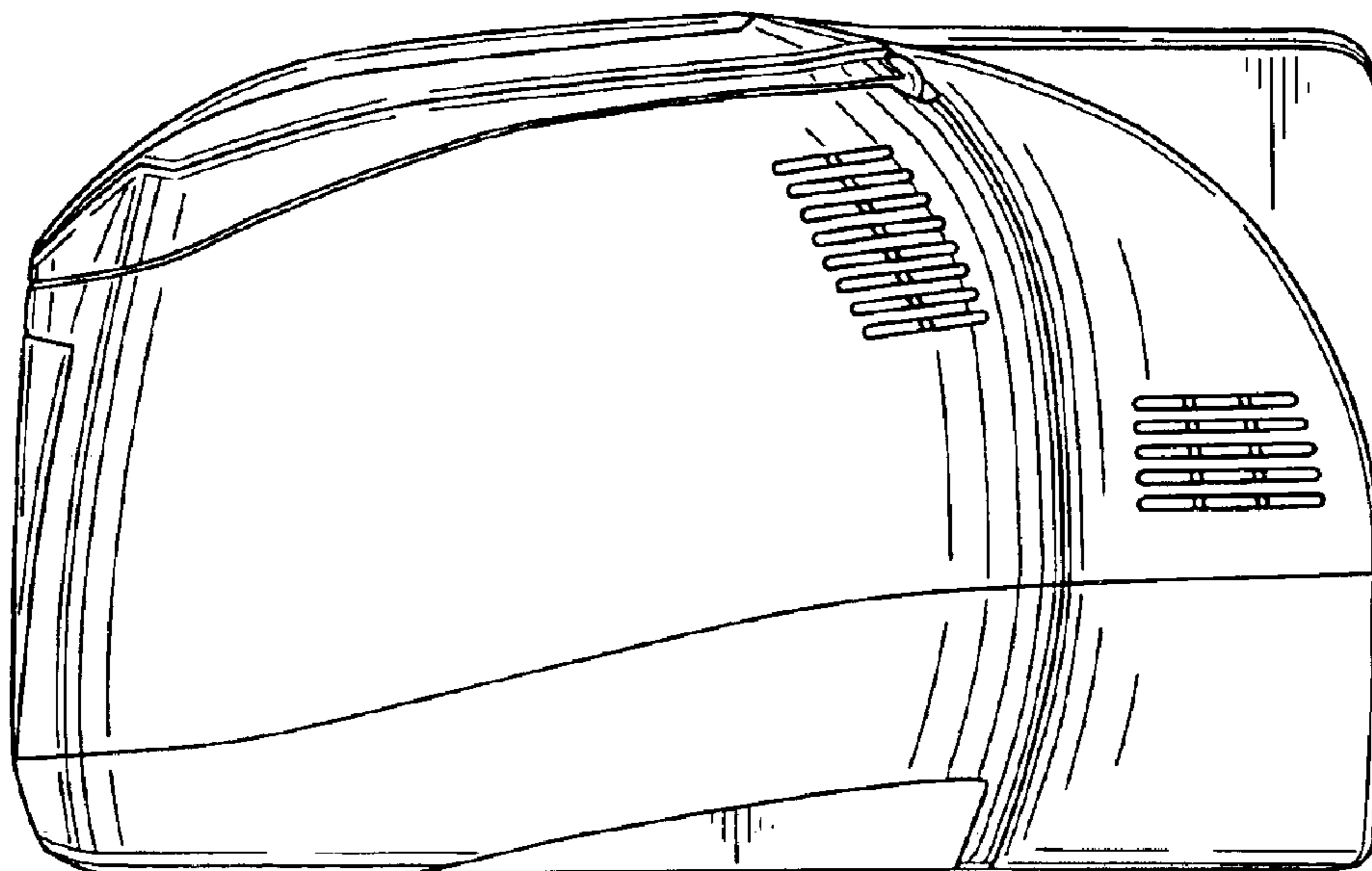


FIG. 6

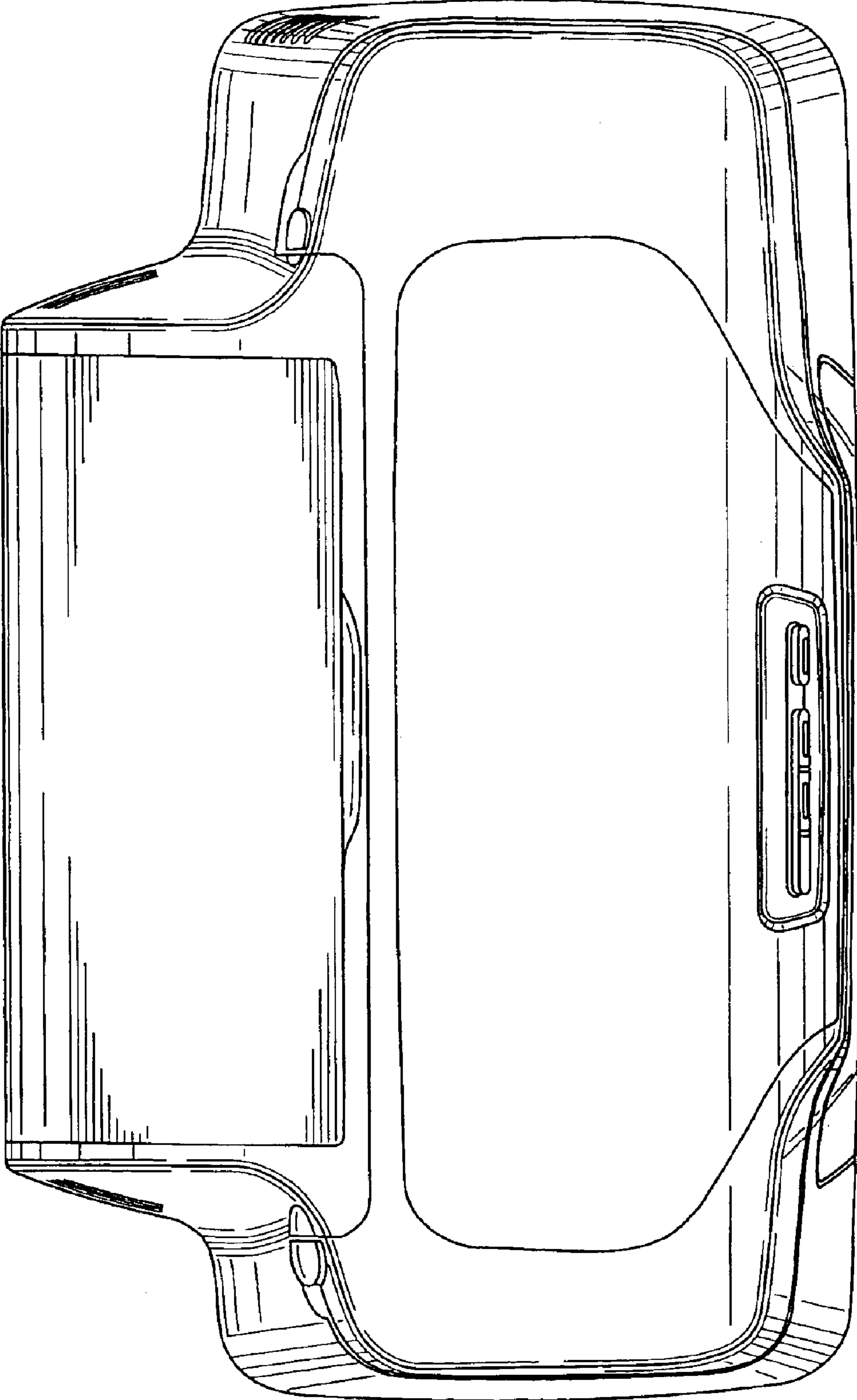


FIG. 7

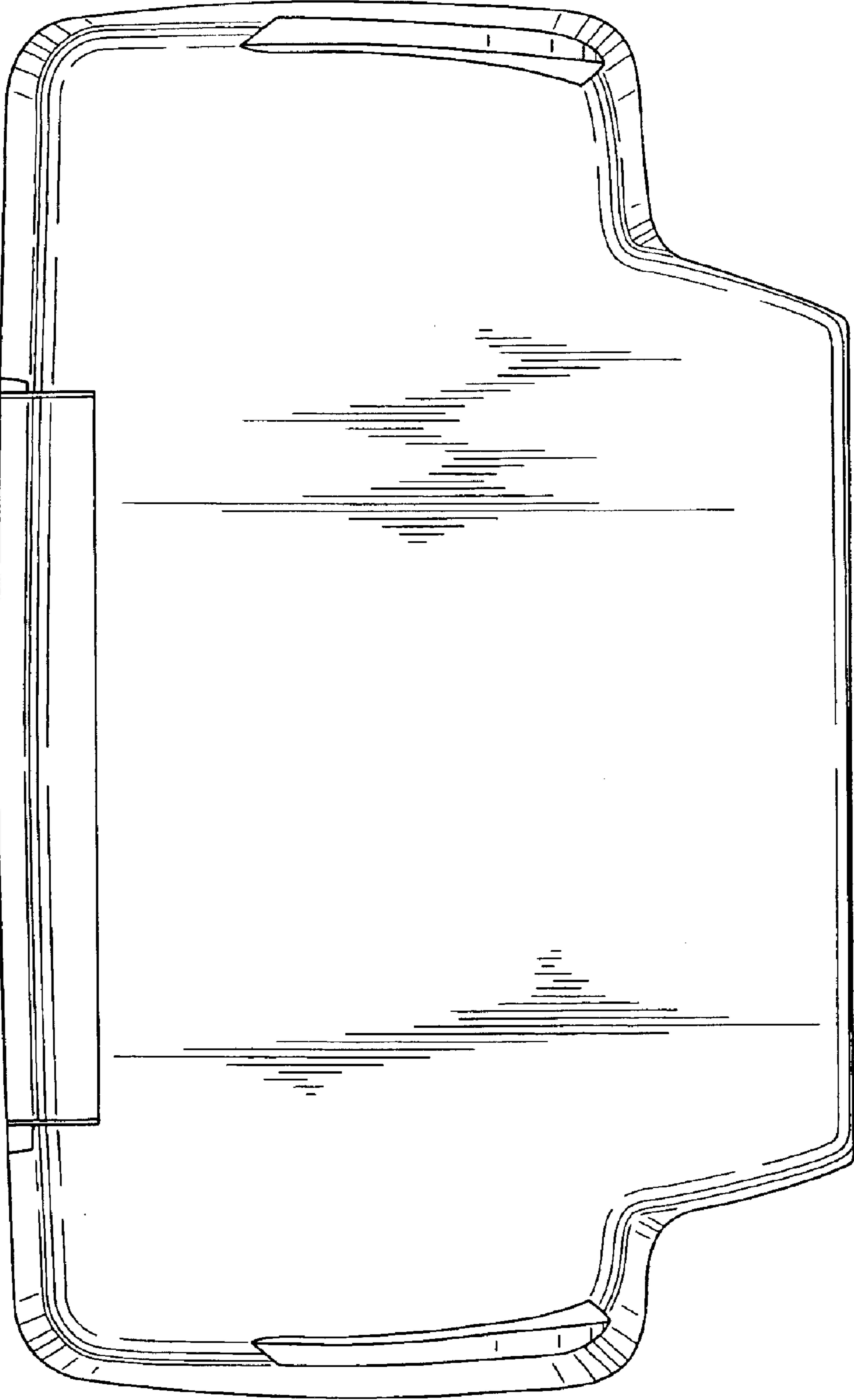


FIG. 8

