



US00D516620S

(12) **United States Design Patent**
Wong

(10) **Patent No.: US D516,620 S**
(45) **Date of Patent: ** Mar. 7, 2006**

- (54) **PRINTER**
- (75) Inventor: **Howard G. Wong**, Portland, OR (US)
- (73) Assignee: **Hewlett-Packard Development Company, L.P.**, Houston, TX (US)
- (**) Term: **14 Years**
- (21) Appl. No.: **29/197,437**
- (22) Filed: **Jan. 15, 2004**
- (51) **LOC (8) Cl. 14-02**
- (52) **U.S. Cl. D18/55**
- (58) **Field of Classification Search** D18/14,
D18/19, 21, 36-39, 53-54, 54.1, 55; D14/420-425,
D14/462-470; 400/613, 613.1-613.4, 690.1-690.4,
400/691-694
See application file for complete search history.

- D440,246 S * 4/2001 Yin D18/50
- 6,382,858 B1 * 5/2002 Nojima et al. 400/691
- D462,087 S 8/2002 Dwyer et al.
- D466,923 S 12/2002 Dwyer et al.
- D466,924 S 12/2002 Wong et al.
- D477,840 S 7/2003 Dwyer et al.

* cited by examiner

Primary Examiner—Cathy Anne MacCormac

(57) **CLAIM**

I claim the ornamental design for a printer, as shown and described.

DESCRIPTION

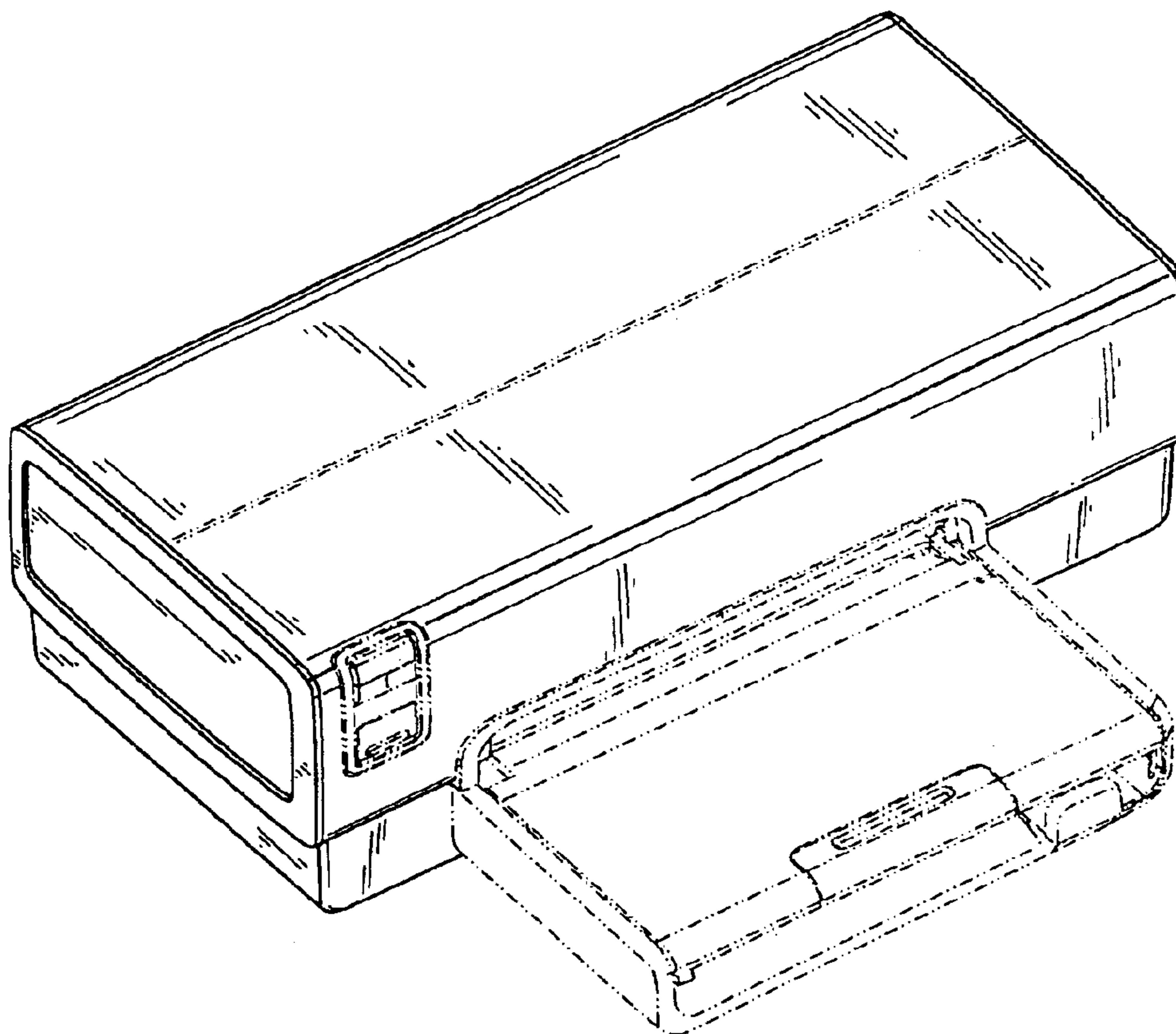
FIG. 1 is a top perspective view of one embodiment of a design of a printer of the present invention;
 FIG. 2 is a top plan view thereof;
 FIG. 3 is a front elevational view thereof;
 FIG. 4 is a left end elevational view thereof, the right end elevational view being a mirror image of the left hand elevational view shown;
 FIG. 5 is a rear elevational view thereof; and,
 FIG. 6 is a bottom plan view thereof.
 The broken lines are for illustrative purposes only and form no part of the claimed design.

(56) **References Cited**

U.S. PATENT DOCUMENTS

- D280,900 S * 10/1985 Tsumura et al. D18/54
- D339,576 S * 9/1993 Sawada et al. D14/462
- D374,888 S * 10/1996 Udagawa D18/50
- D384,945 S * 10/1997 Takada et al. D14/420
- D413,919 S * 9/1999 Kobayashi et al. D18/54
- D428,623 S * 7/2000 Igarashi D18/54

1 Claim, 4 Drawing Sheets



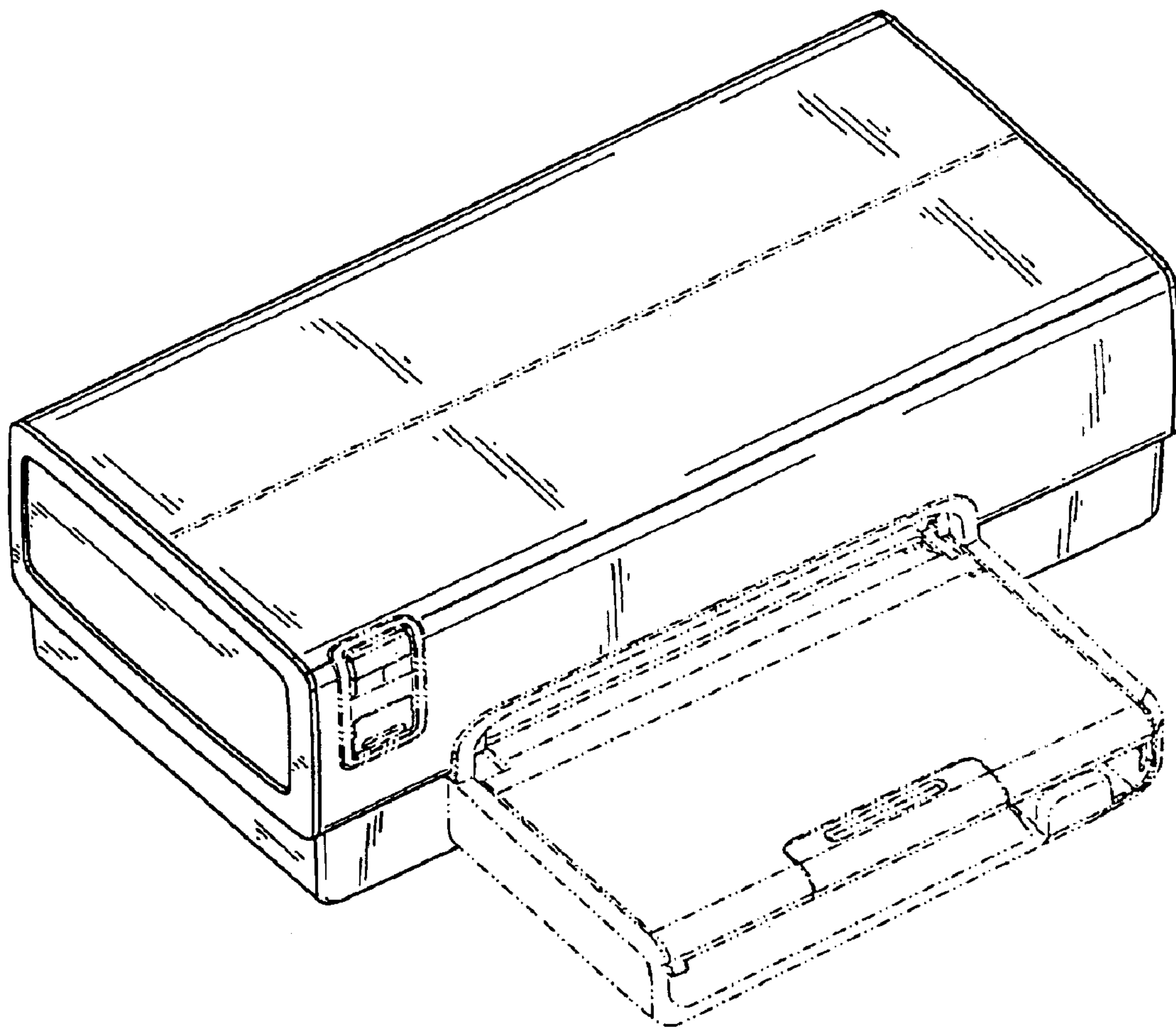


FIG. 1

FIG. 2

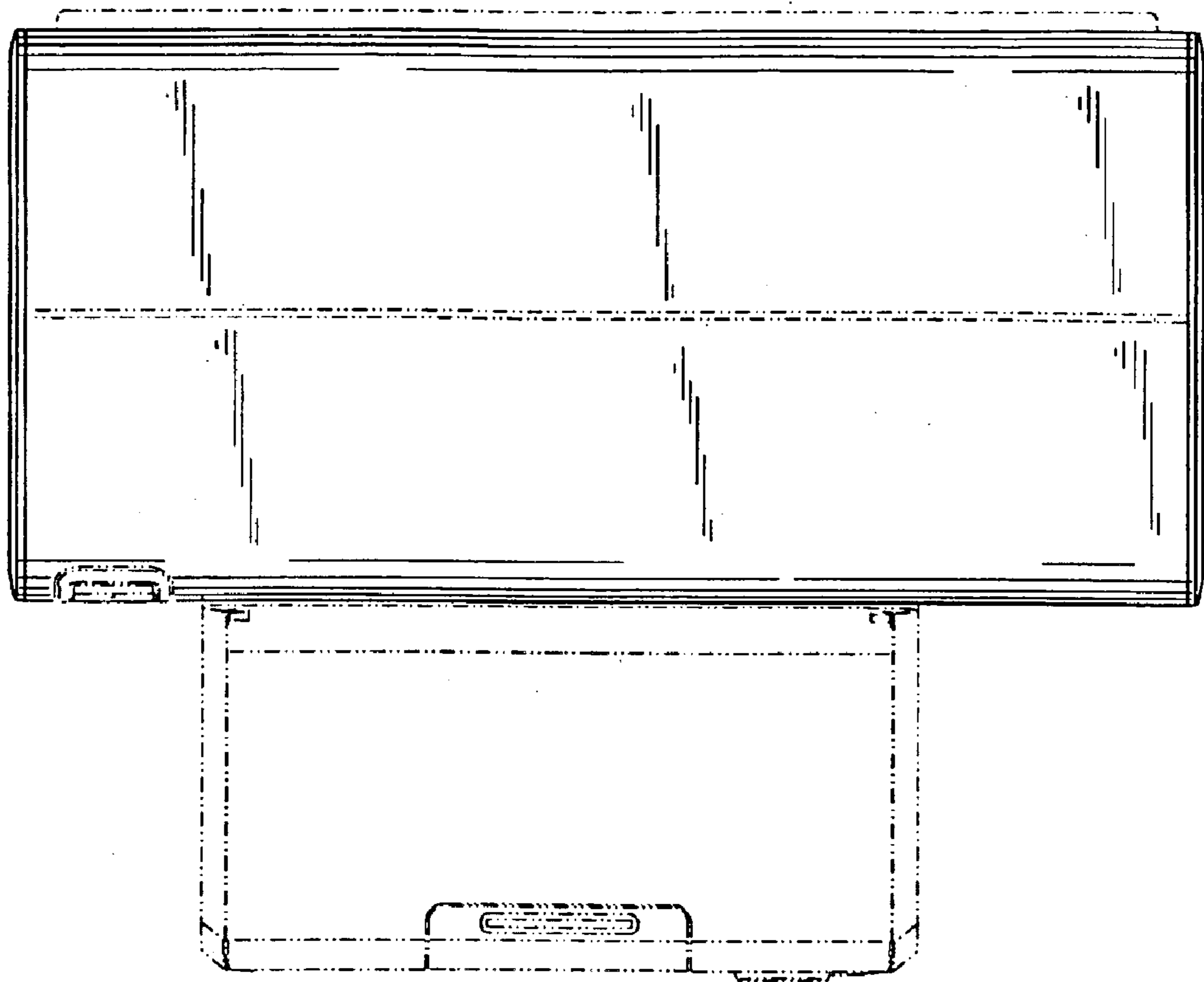


FIG. 3

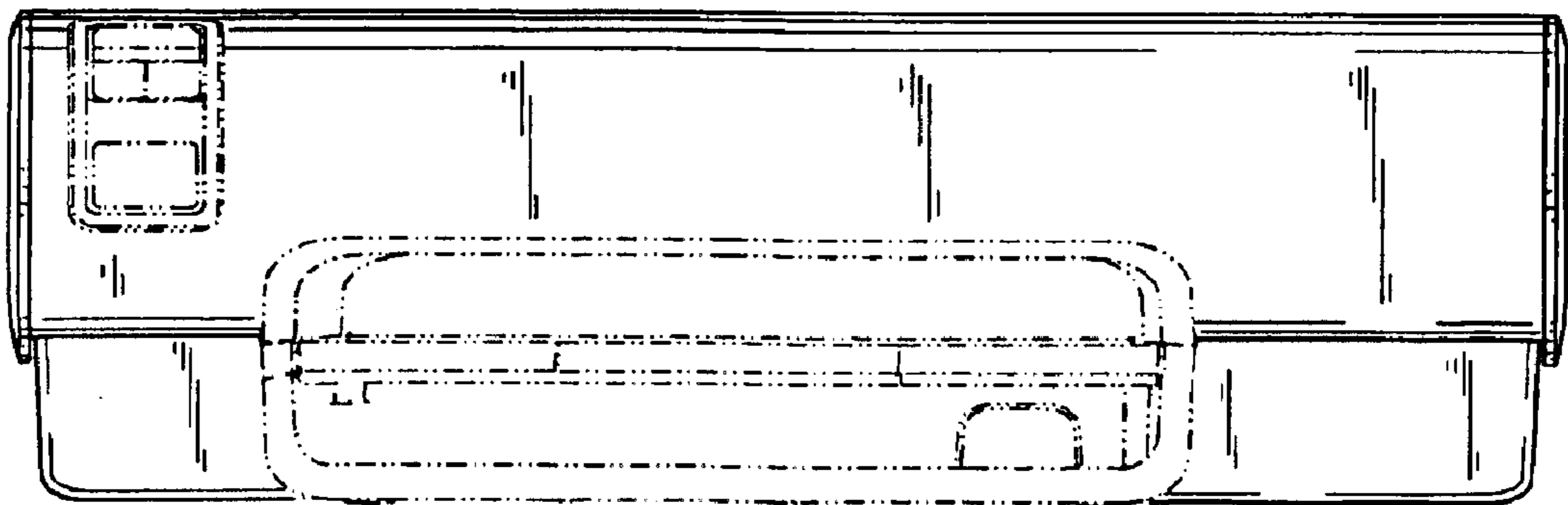


FIG. 4

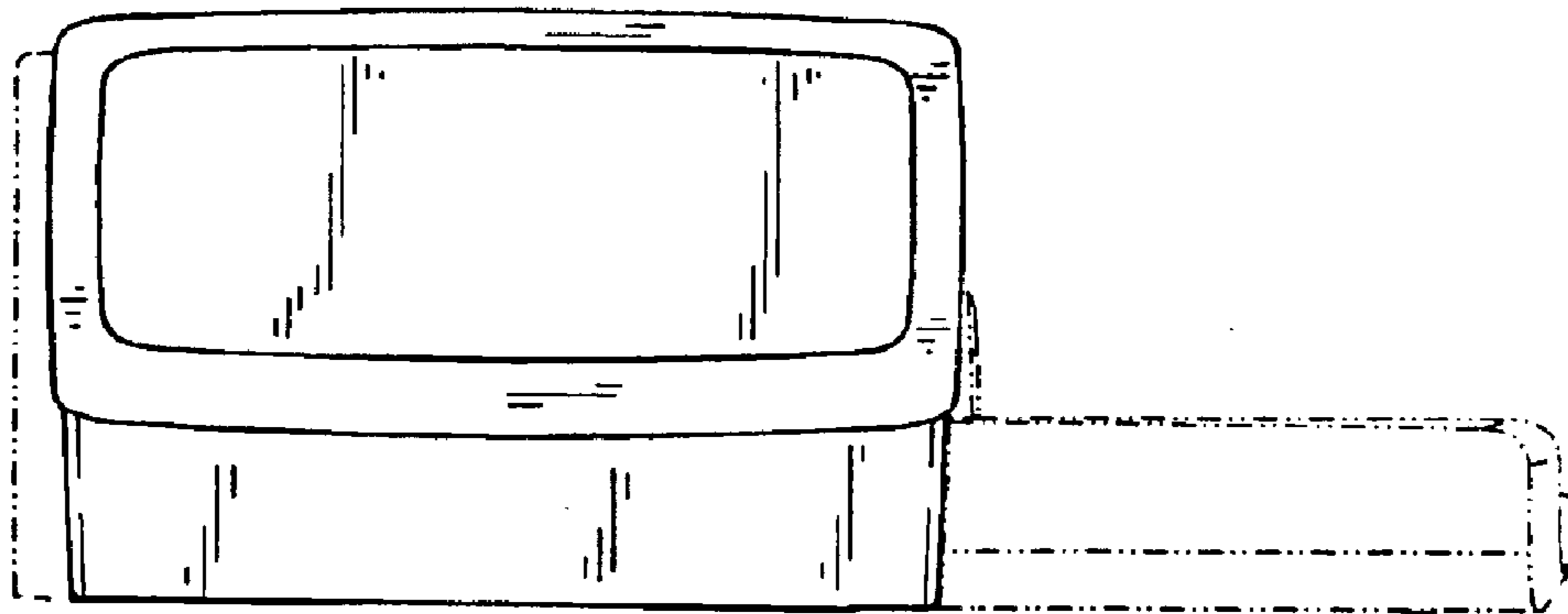
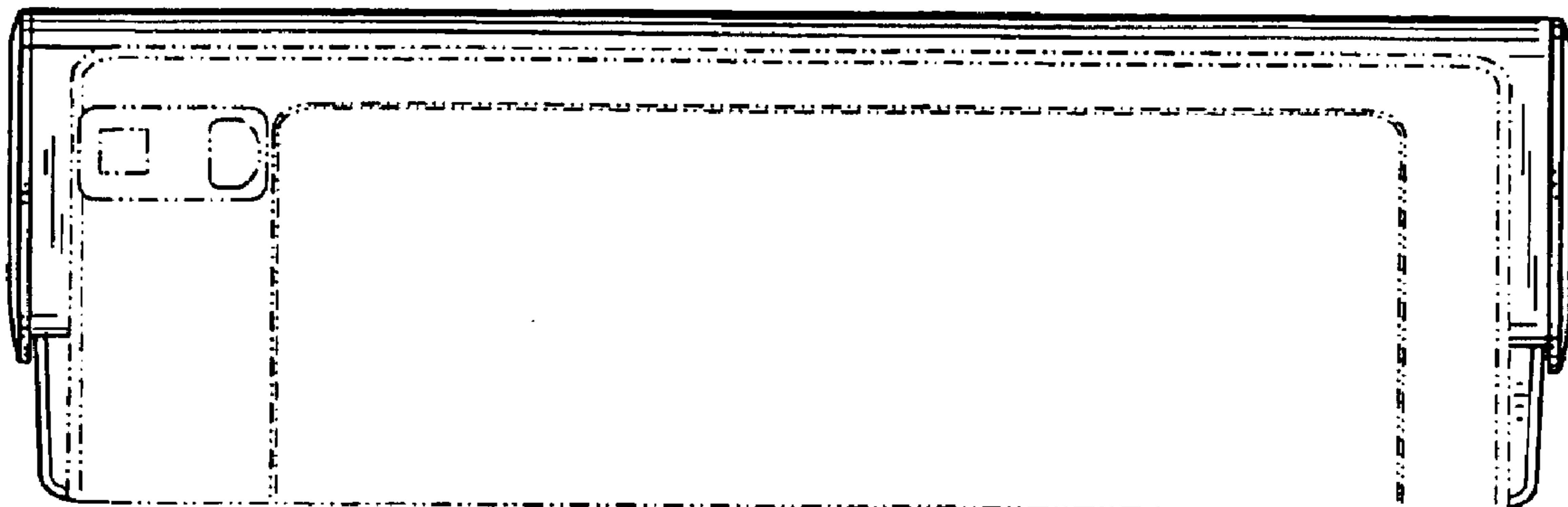


FIG. 5



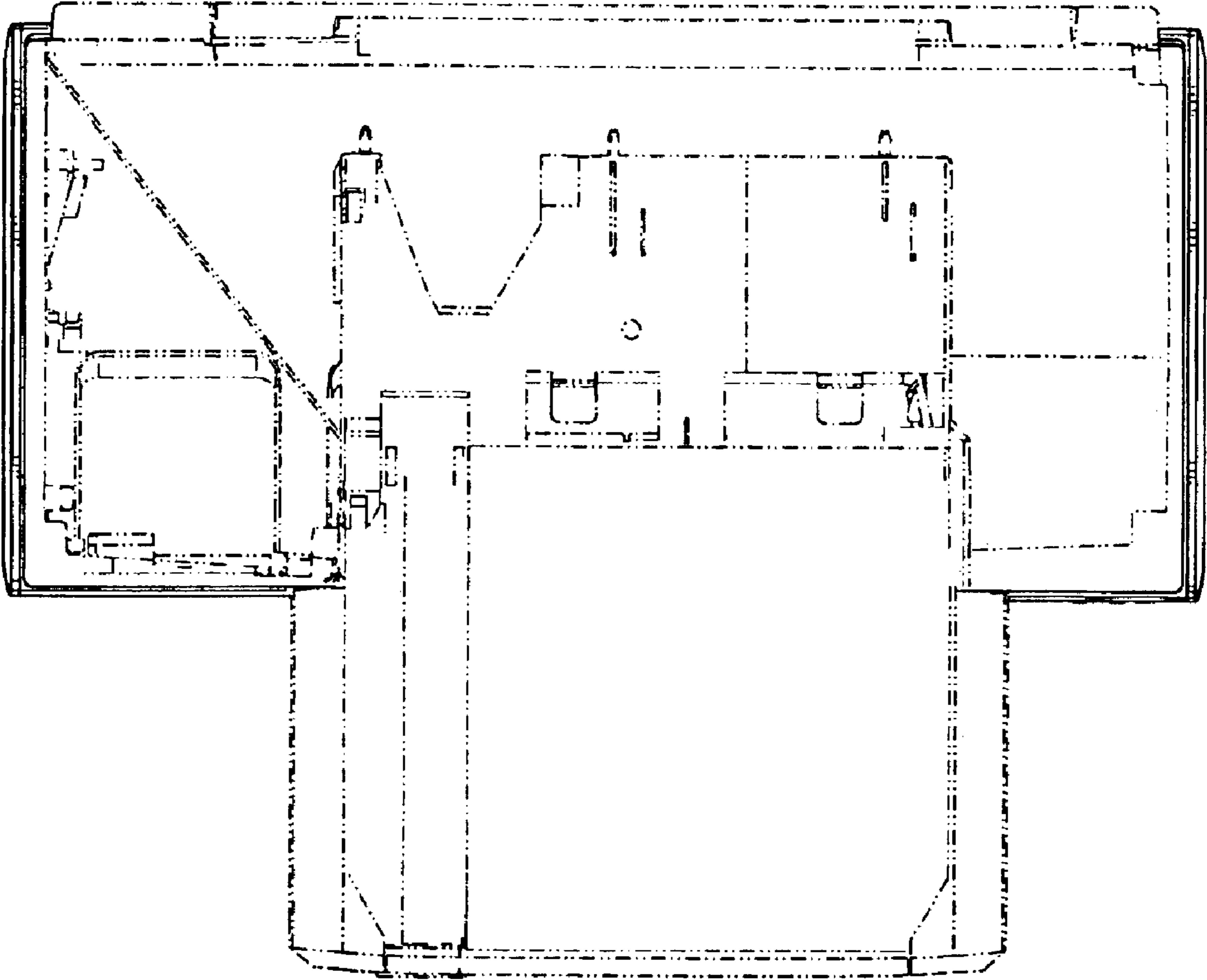


FIG. 6