



US00D516619S

(12) **United States Design Patent**  
**Oka**

(10) **Patent No.:** **US D516,619 S**  
(45) **Date of Patent:** **\*\* Mar. 7, 2006**

(54) **PRINTER**

(75) Inventor: **Hiroki Oka**, Tokyo (JP)

(73) Assignee: **Sony Corporation**, Tokyo (JP)

(\*\*) Term: **14 Years**

(21) Appl. No.: **29/197,171**

(22) Filed: **Jan. 13, 2004**

(51) **LOC (8) Cl.** ..... **14-02**

(52) **U.S. Cl.** ..... **D18/50**

(58) **Field of Classification Search** ..... D18/14,  
D18/19, 21, 36-39, 53-54, 54.1, 55; D14/420-425,  
D14/462-470; 400/613, 613.1-613.4, 690.1-690.4,  
400/691-694

See application file for complete search history.

(56) **References Cited**

**U.S. PATENT DOCUMENTS**

D300,137 S	*	3/1989	Kando	.....	D18/36
D304,578 S	*	11/1989	Saegusa et al.	.....	D14/467
D313,985 S	*	1/1991	Hara	.....	D14/462
D331,232 S	*	11/1992	Kim	.....	D18/50
D334,382 S	*	3/1993	Dow	.....	D14/462
D359,485 S	*	6/1995	Park	.....	D14/469
D463,485 S	*	9/2002	Yoshida et al.	.....	D18/50

**OTHER PUBLICATIONS**

Sony MPR-706 Printer; <http://archive.org/web/20031009112811/http://www.ecat.sony.co.jp/tapis/product.cfm?PD=15190>; Oct. 9, 2003.\*

Sony DPP-EX5 Digital Photo Printer; [www.yodobashi.com](http://www.yodobashi.com); Sep. 2003 (copy provided by applicant).\*

OKI Microline 18NR Printer; [www.itmedia.co.jp/products/okidata/ml18nr.html](http://www.itmedia.co.jp/products/okidata/ml18nr.html); Nov. 2002.\*

Hewlett Packard PSC2150 Printer; [www.yodobashi.com](http://www.yodobashi.com); Sep. 2003 (copy provided by applicant).\*

\* cited by examiner

*Primary Examiner*—Cathy Anne MacCormac

(74) *Attorney, Agent, or Firm*—Rader, Fishman & Grauer PLLC

(57) **CLAIM**

The ornamental design for a printer, as shown and described.

**DESCRIPTION**

FIG. 1 is a perspective view of a printer showing my new design;

FIG. 2 is a front elevational view thereof;

FIG. 3 is a rear elevational view thereof;

FIG. 4 is a left side elevational view thereof;

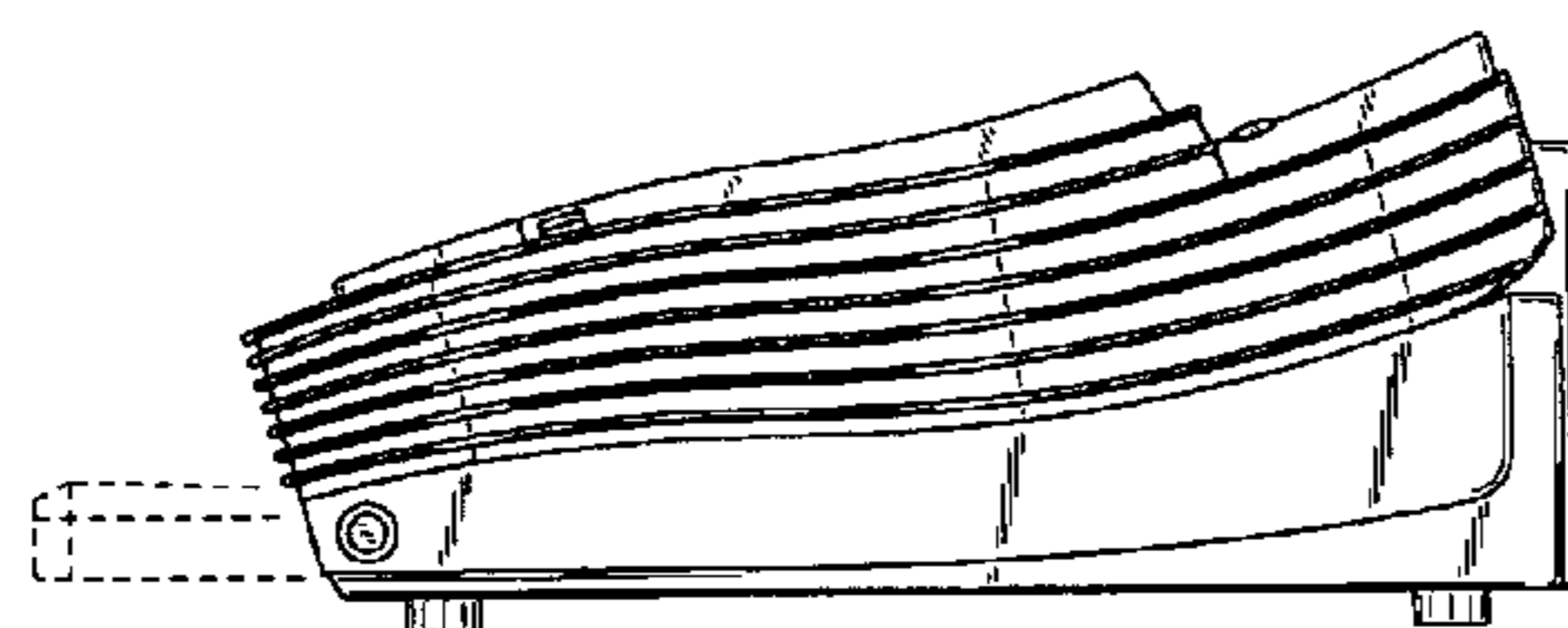
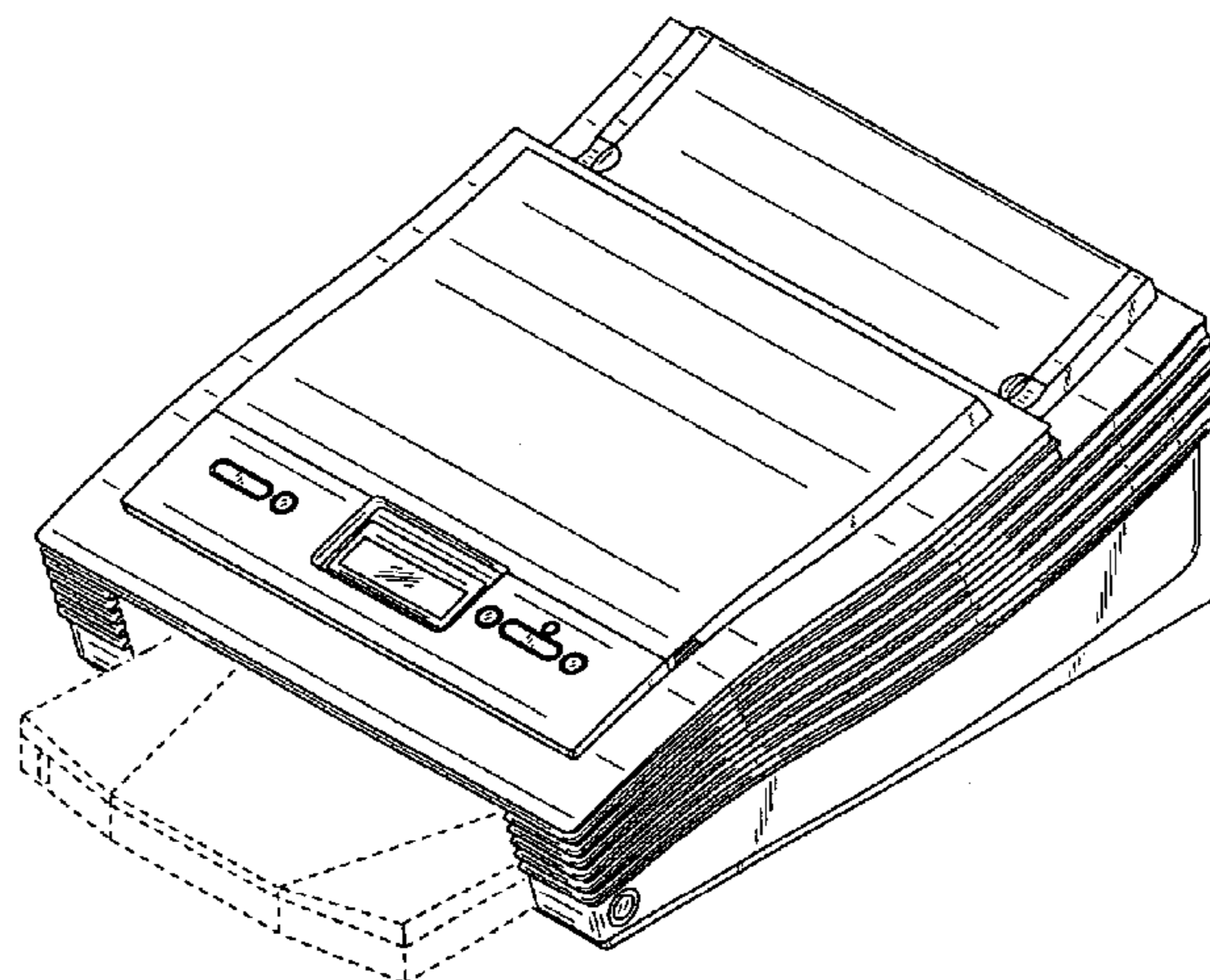
FIG. 5 is a right side elevational view thereof;

FIG. 6 is a top plan view thereof; and,

FIG. 7 is a bottom plan view thereof.

Portions of FIGS. 1, 2, 4-7 that are shown as broken lines are for illustrative purpose only and form no part of the claimed design.

**1 Claim, 4 Drawing Sheets**



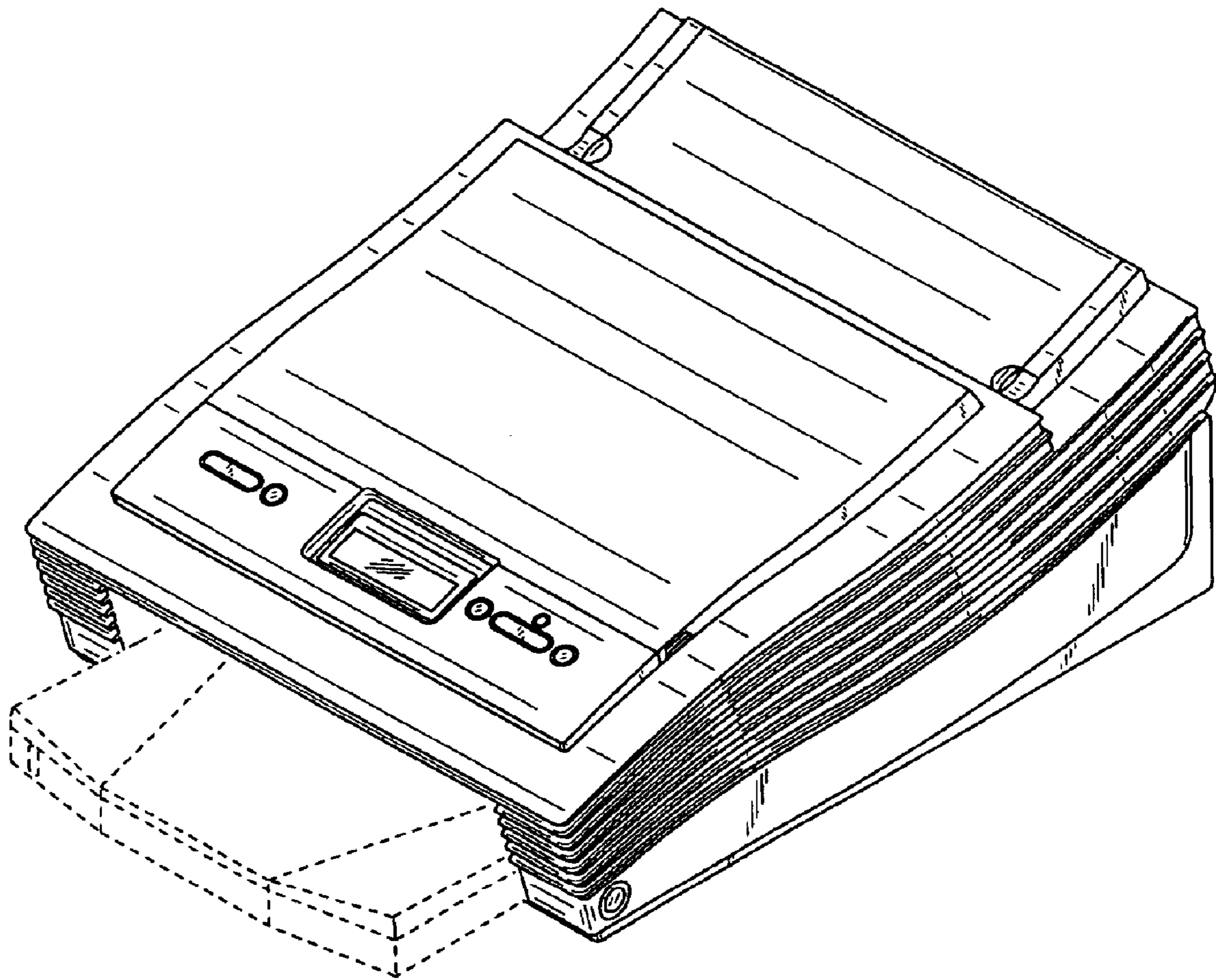


FIG. 1

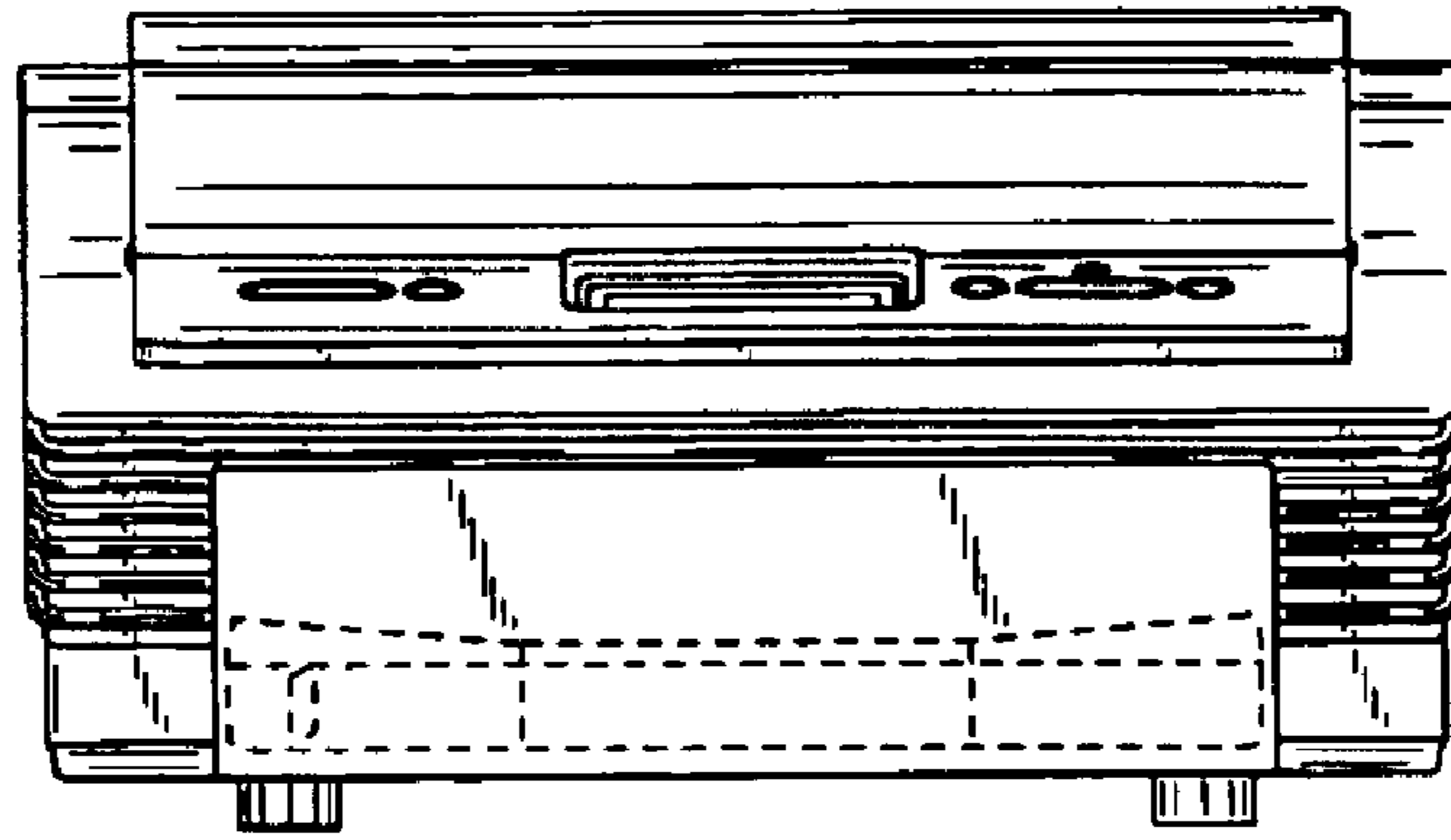


FIG. 2

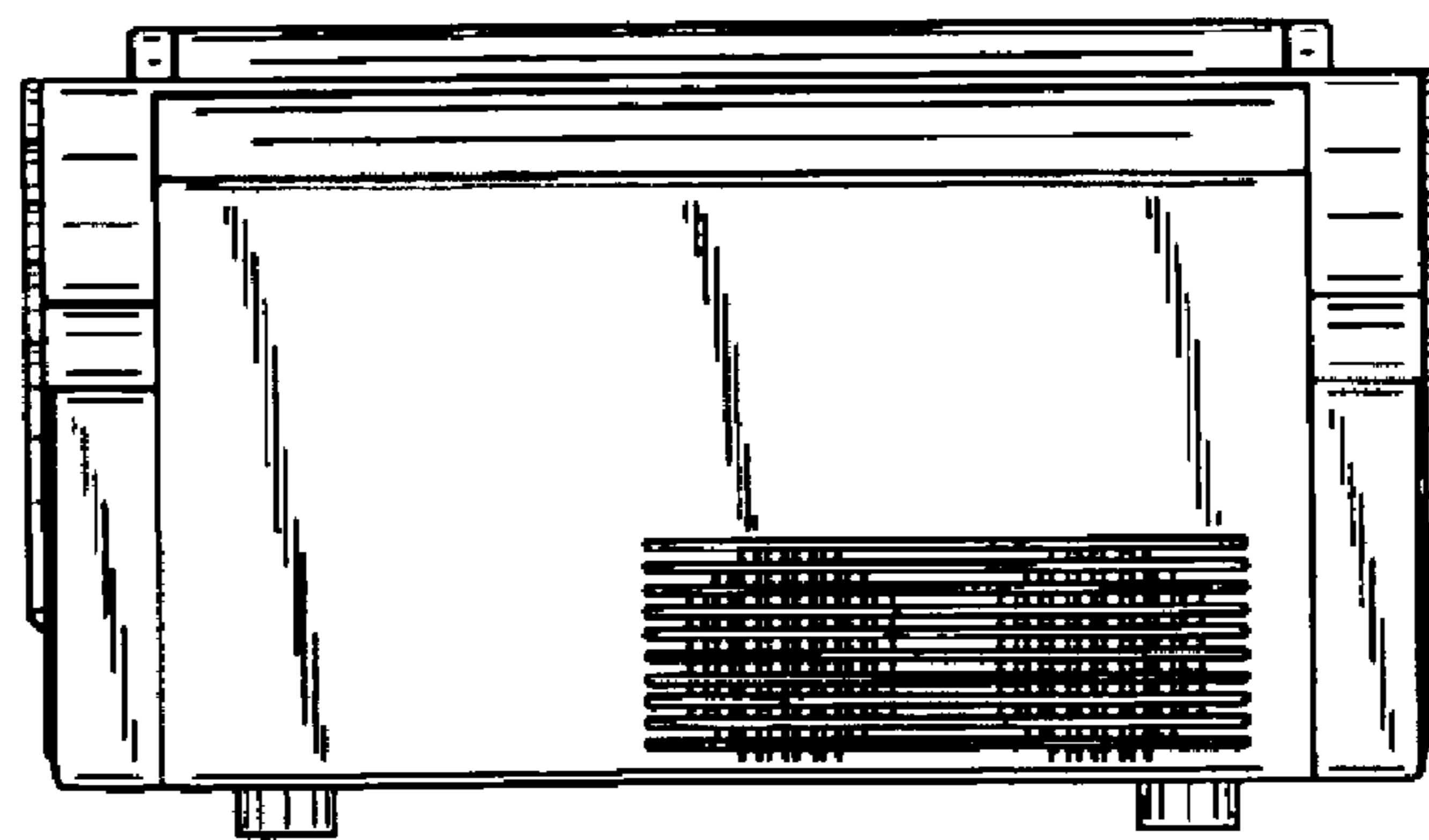


FIG. 3

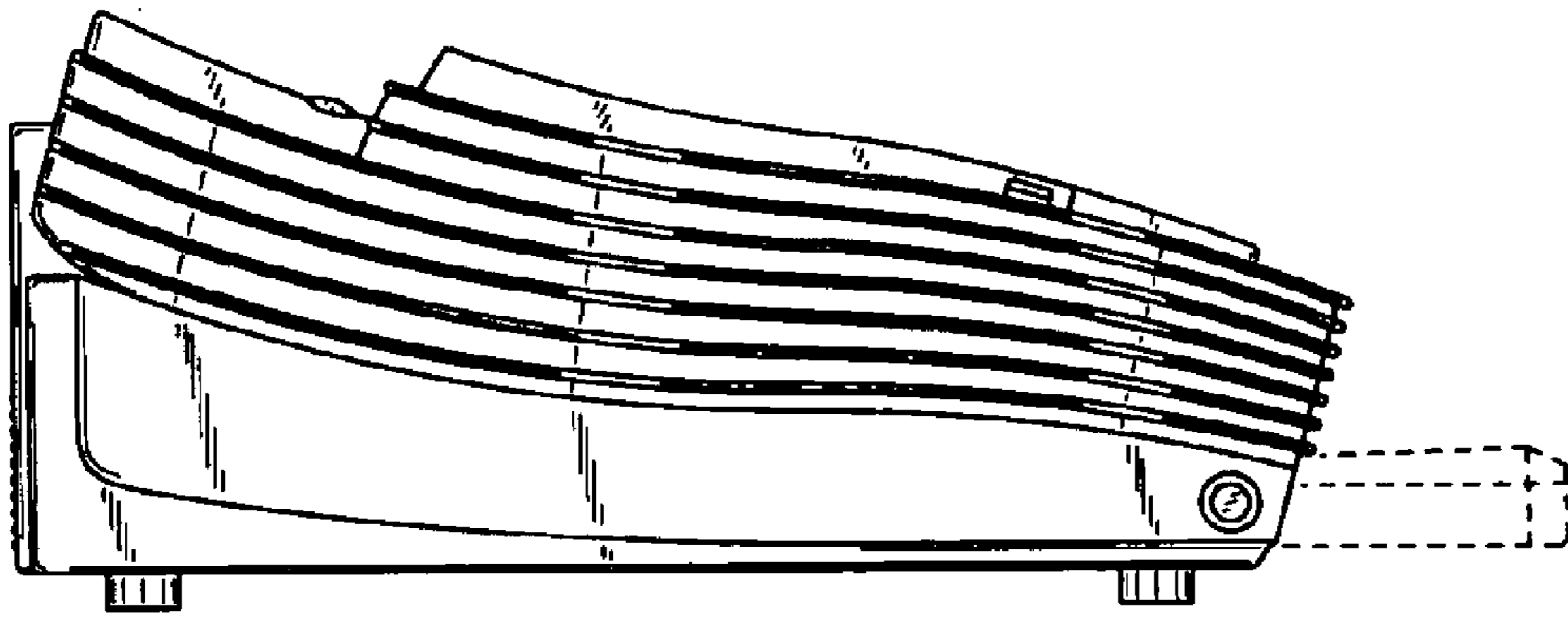


FIG. 4

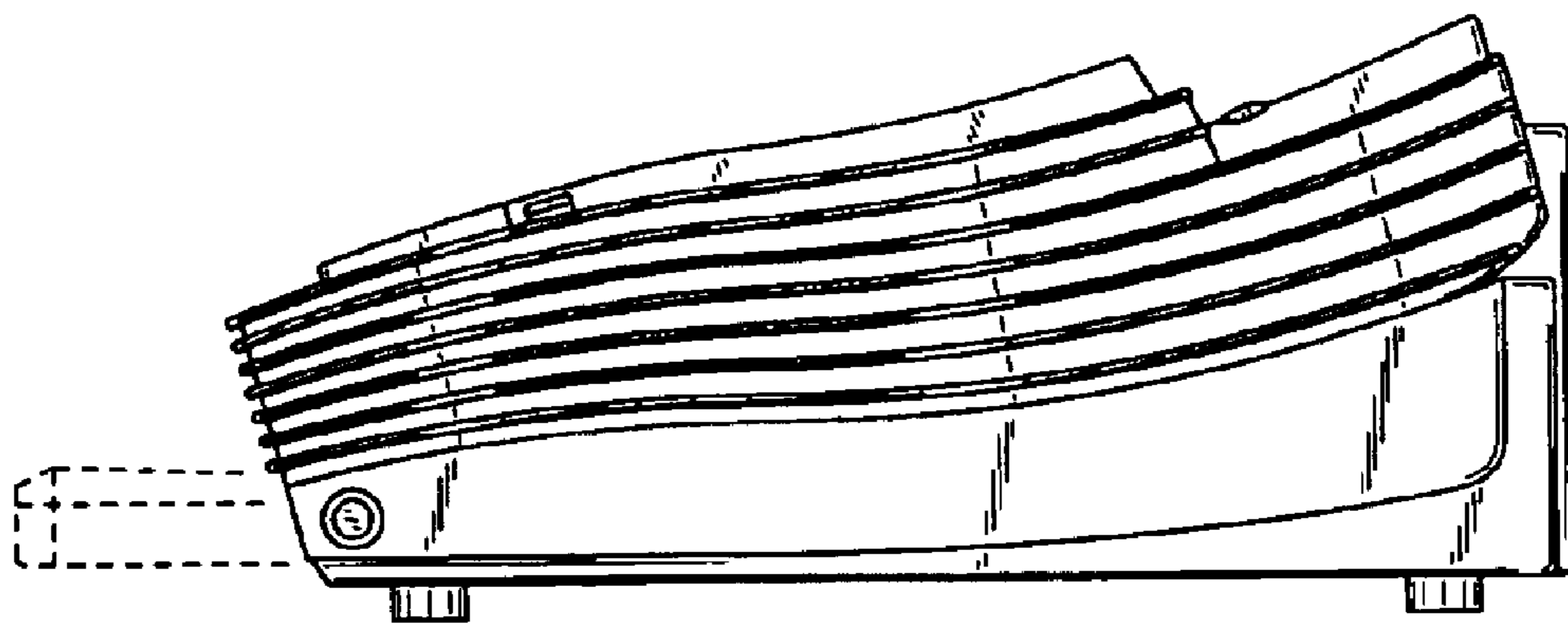


FIG. 5

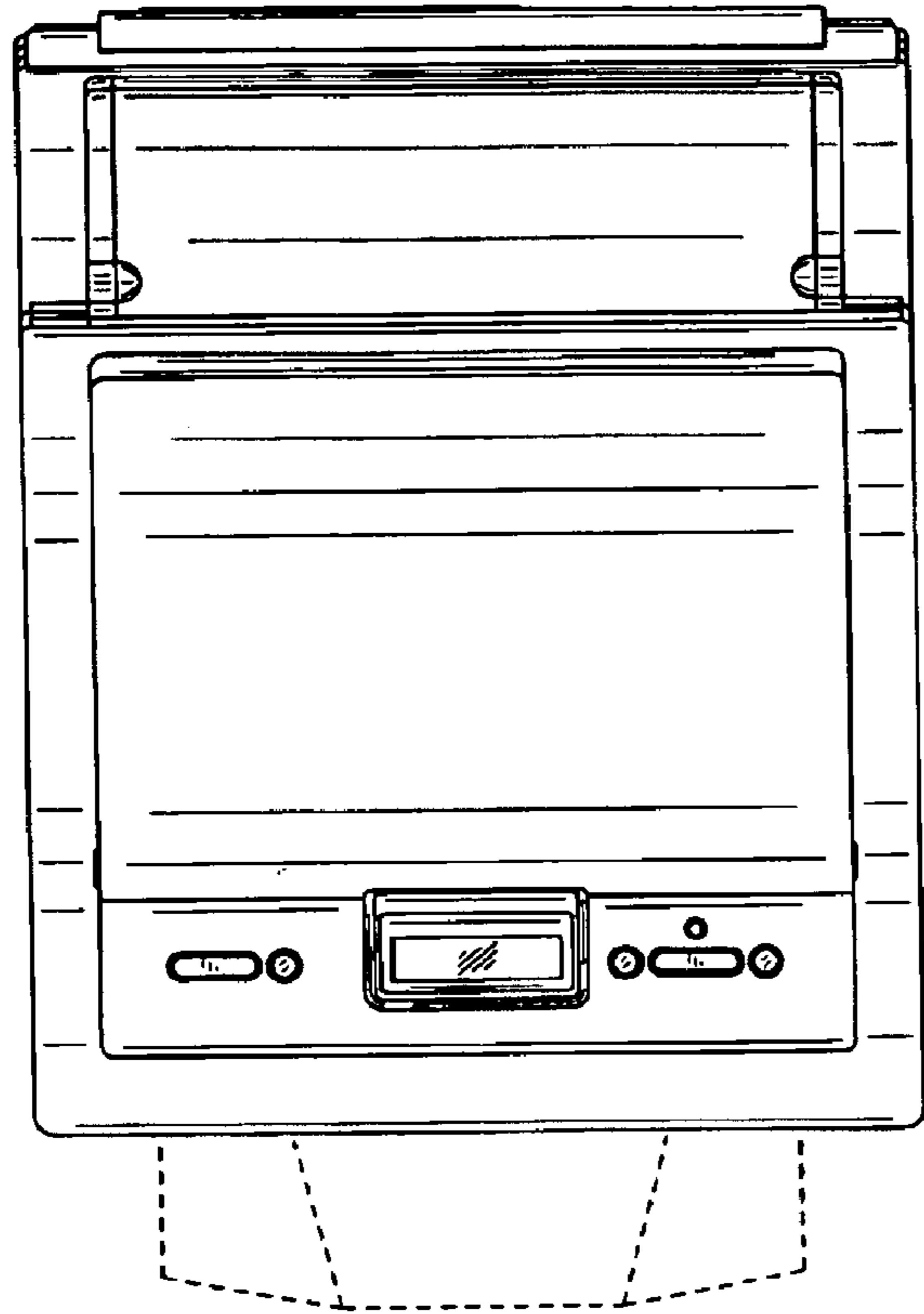


FIG. 6

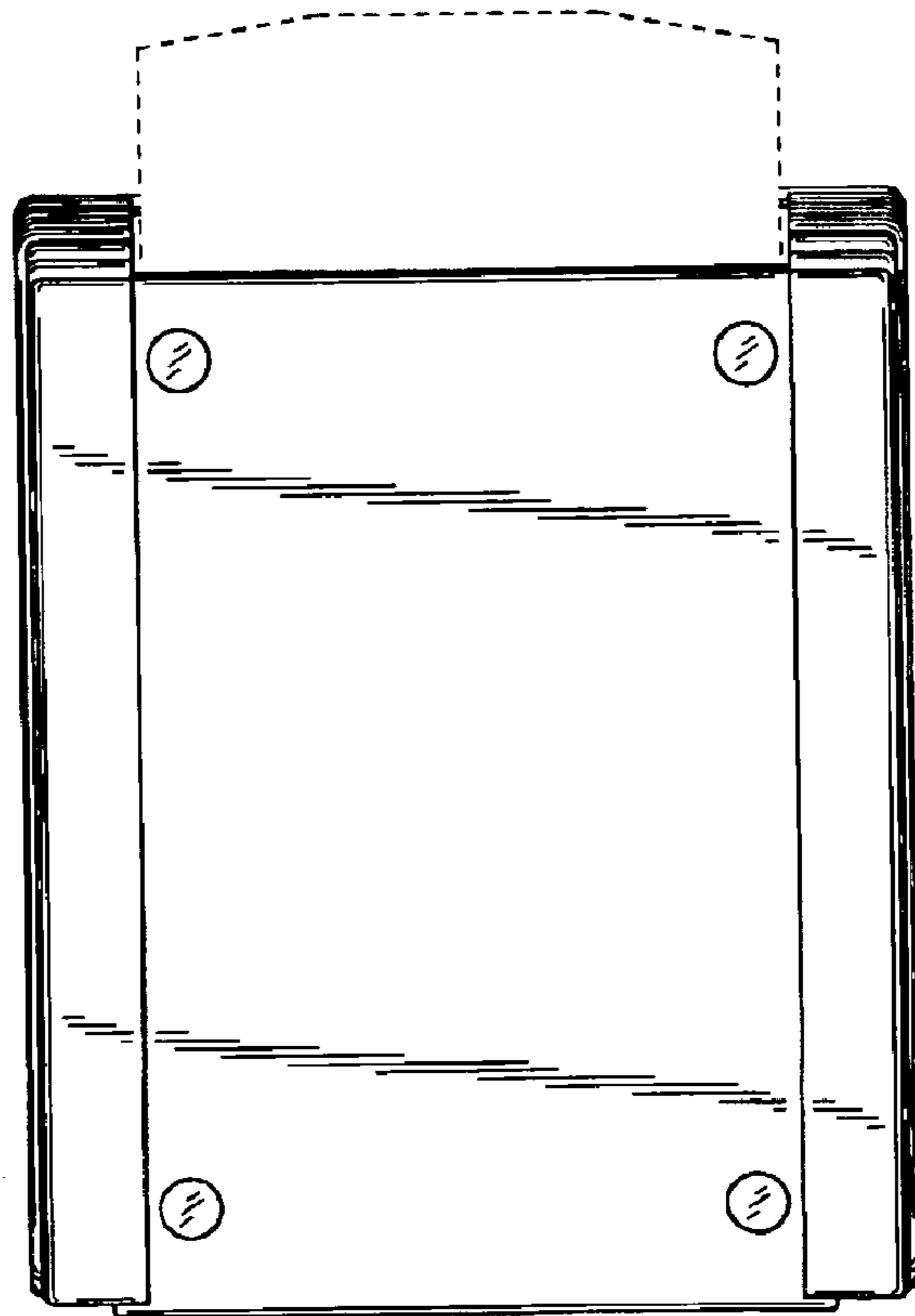


FIG. 7