

US00D516605S

(12) **United States Design Patent** (10) **Patent No.:** **US D516,605 S**
Marc et al. (45) **Date of Patent:** **** Mar. 7, 2006**

(54) **HINGE CONNECTOR ASSEMBLY**

(75) Inventors: **Robert Marc**, 25 Central Park West,
Apt. 8Q, New York, NY (US) 10023;
Pierre Maiche, Nantes (FR)

(73) Assignee: **Robert Marc**, New York, NY (US)

(**) Term: **14 Years**

(21) Appl. No.: **29/199,847**

(22) Filed: **Feb. 19, 2004**

(51) **LOC (8) Cl.** **16-06**

(52) **U.S. Cl.** **D16/334**

(58) **Field of Classification Search** D16/334,
D16/300-330, 101, 335, 339; 351/41, 44,
351/51, 52, 110, 111, 103, 158, 121-123,
351/140, 142, 147, 152

See application file for complete search history.

(56) **References Cited**

U.S. PATENT DOCUMENTS

1,026,386	A	*	5/1912	Essick	351/65
1,307,573	A	*	6/1919	Bader	351/142
4,408,843	A		10/1983	Bononi		
5,367,346	A		11/1994	Branning		
5,473,395	A		12/1995	Huang		
D384,365	S		9/1997	Keith		
5,847,801	A		12/1998	Masunga		
6,059,410	A		5/2000	Wang		
6,113,234	A	*	9/2000	Huang	351/47
D459,747	S	*	7/2002	Marc et al.	D16/334
D459,748	S	*	7/2002	Marc et al.	D16/334
6,454,407	B1		9/2002	Mille		
6,464,353	B1		10/2002	Spindelbalker		
D468,340	S	*	1/2003	Marc et al.	D16/334
6,502,941	B1		1/2003	Whisenant		
6,505,933	B1		1/2003	Schuchard et al.		
6,659,606	B1		12/2003	Duppstadt		

* cited by examiner

Primary Examiner—Raphael Barkai

Assistant Examiner—Randall H. Gholson

(74) *Attorney, Agent, or Firm*—Gottlieb, Rackman & Reisman, P.C.

(57) **CLAIM**

The design for a hinge connector assembly, as shown and described.

DESCRIPTION

FIG. 1 is a perspective view of the top, front and right side of a preferred embodiment of the hinge connector assembly with a portion in dotted lines, representing the earpiece and lens frame, shown for environmental purposes only;

FIG. 2 is a perspective view of the top, front and left side of the hinge connector assembly shown in FIG. 1

FIG. 3 is a top view thereof with the bottom view being a mirror image;

FIG. 4 is a view of the left side thereof;

FIG. 5 is a front view thereof;

FIG. 6 is the back view thereof;

FIG. 7 is a view of the right side thereof;

FIG. 8 is a perspective view of the top, front and right side of another preferred embodiment of the hinge connector assembly with a portion in dotted lines, representing the earpiece and lens frame, shown for environmental purposes only;

FIG. 9 is a perspective view of the top, front and left side of the hinge connector assembly shown in FIG. 8

FIG. 10 is a top view thereof with the bottom view being a mirror image;

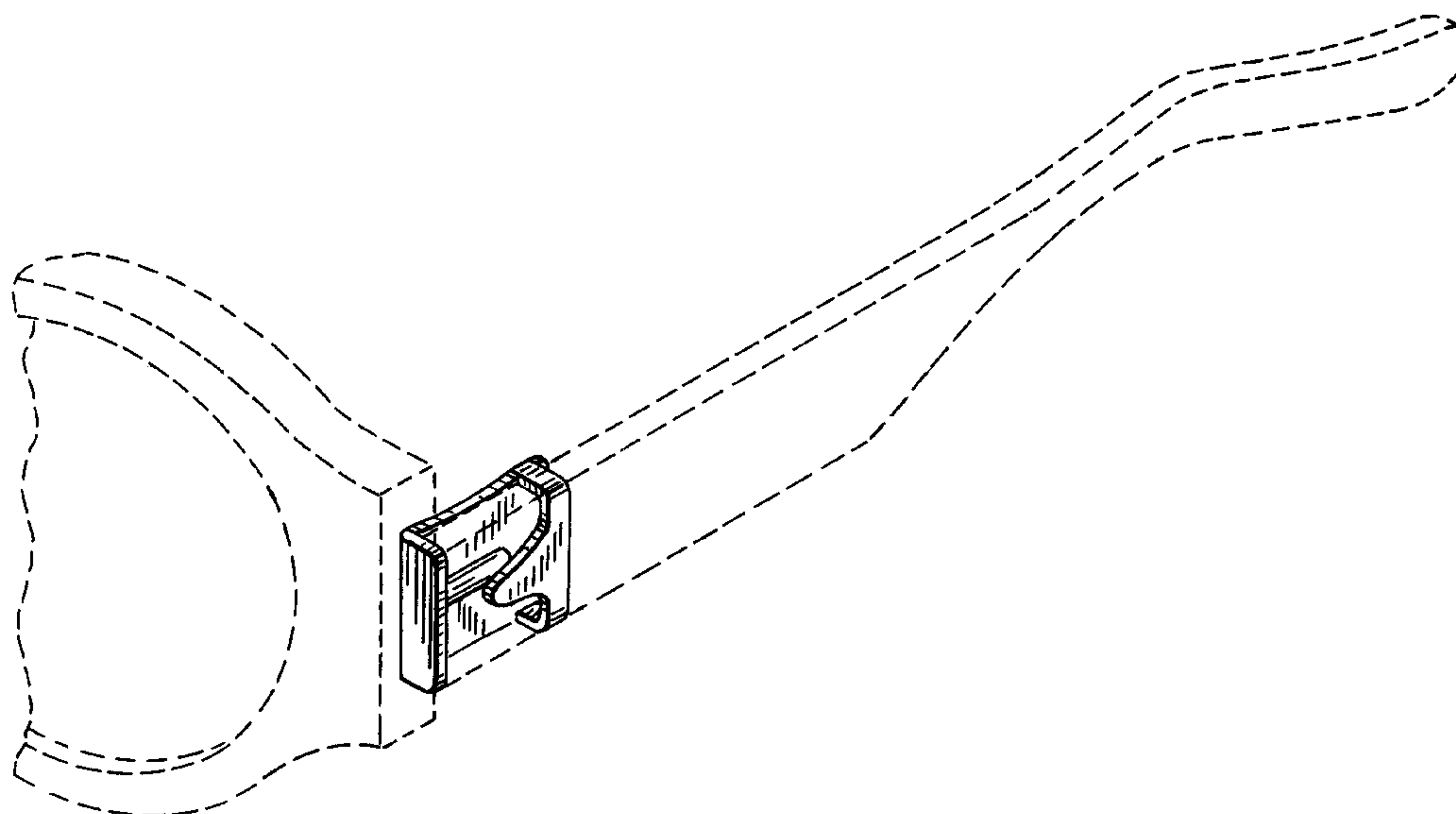
FIG. 11 is a view of the left side thereof;

FIG. 12 is a front view thereof;

FIG. 13 is a back view thereof; and,

FIG. 14 is a view of the right side thereof.

1 Claim, 4 Drawing Sheets



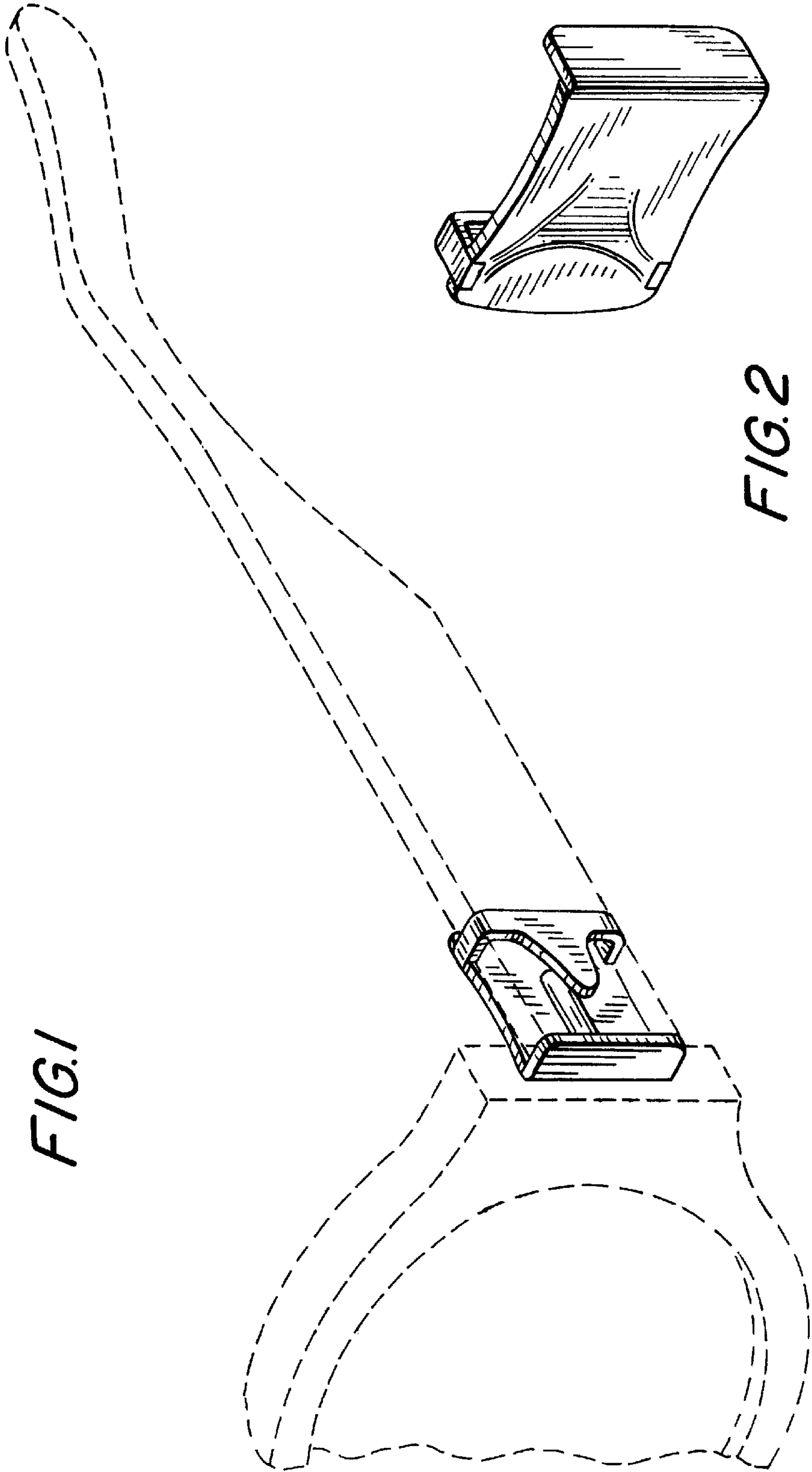
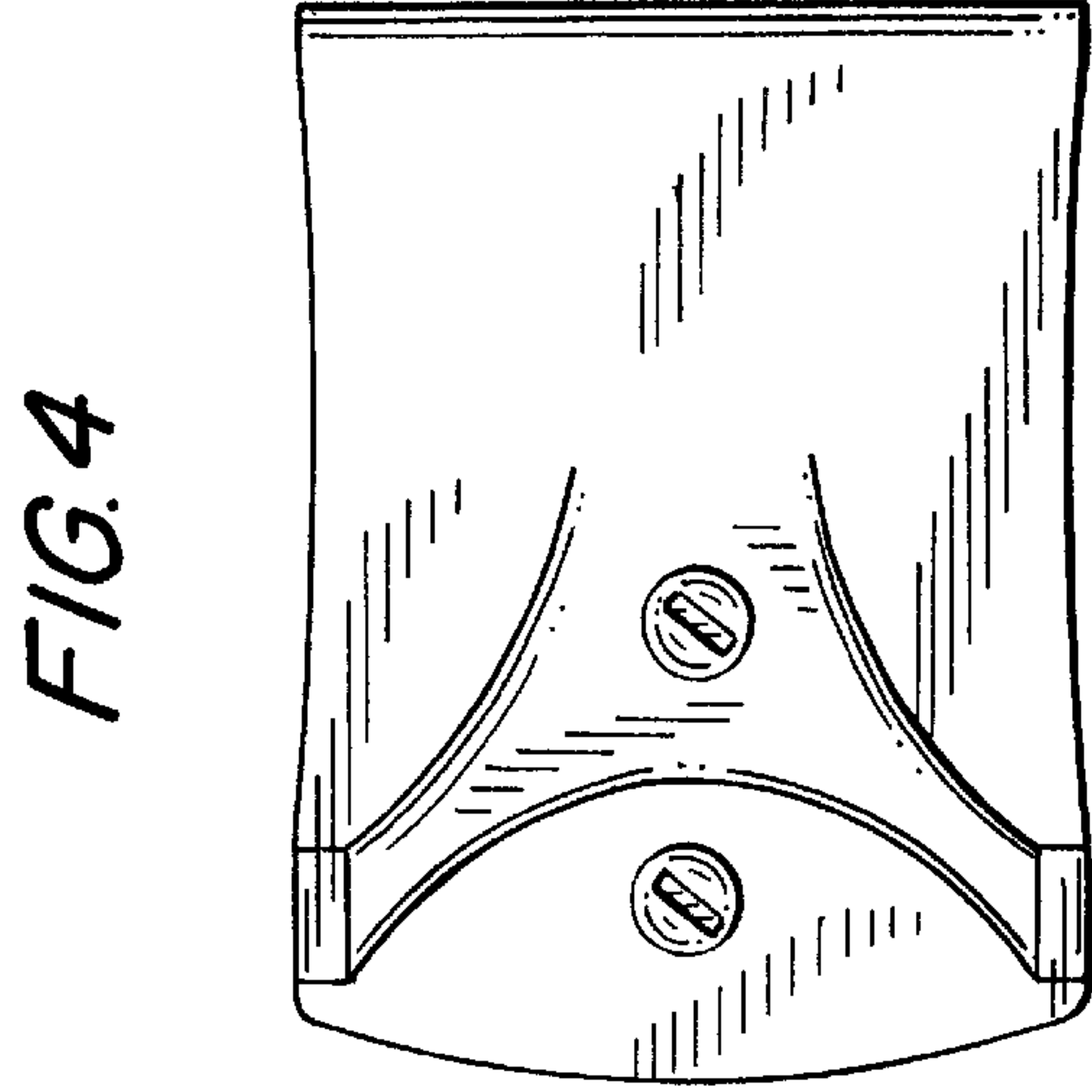
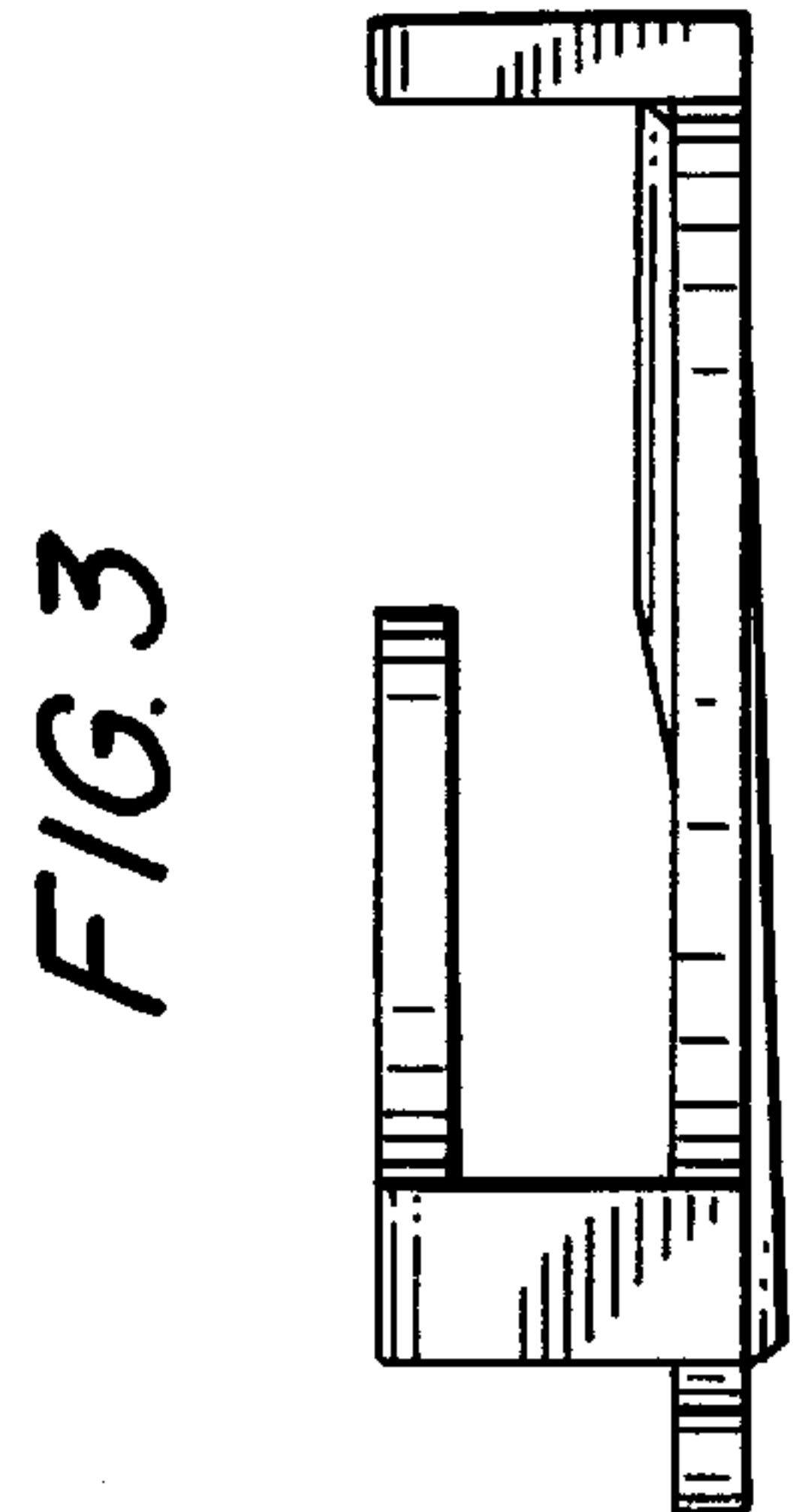
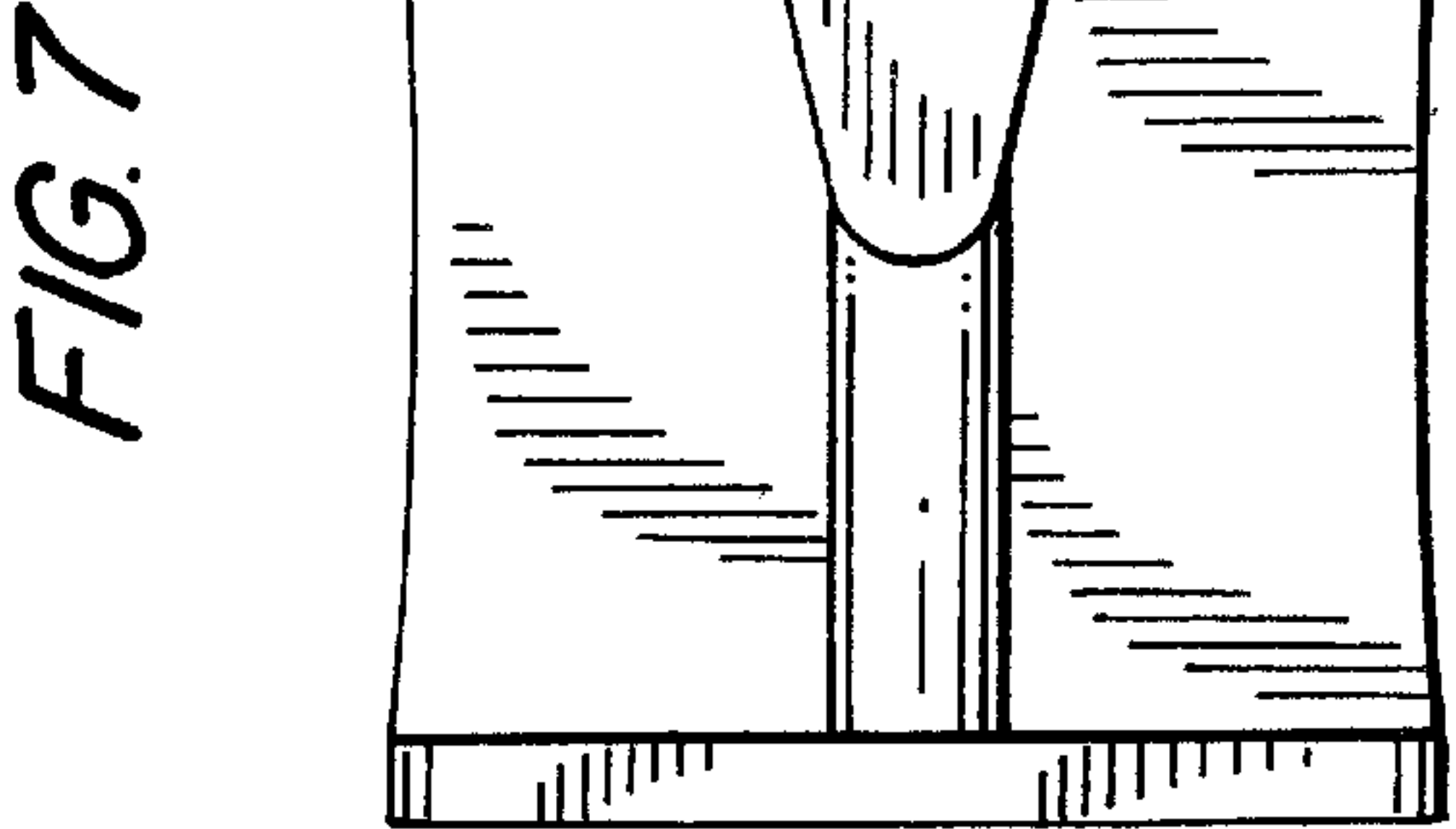
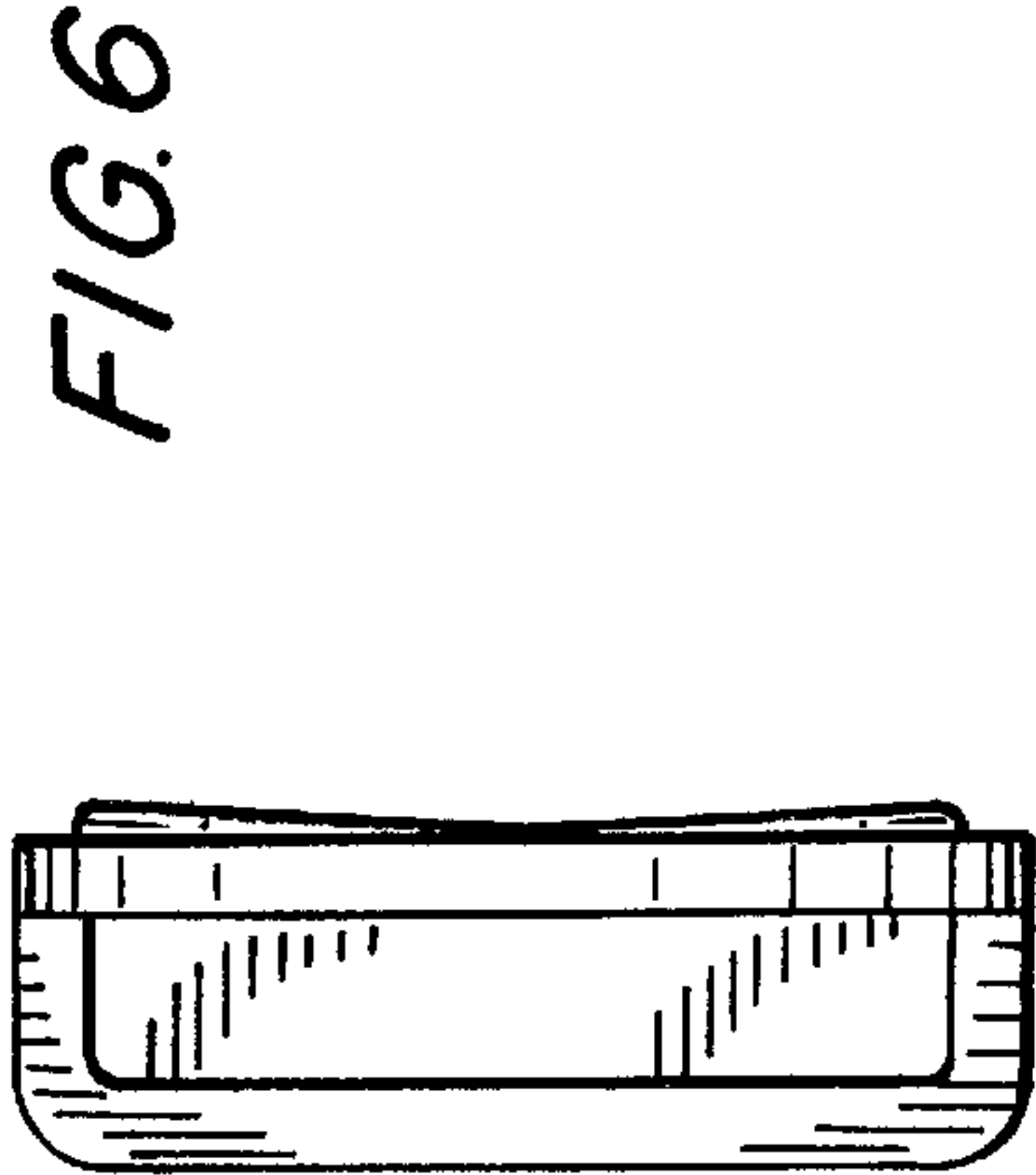


FIG. 1

FIG. 2



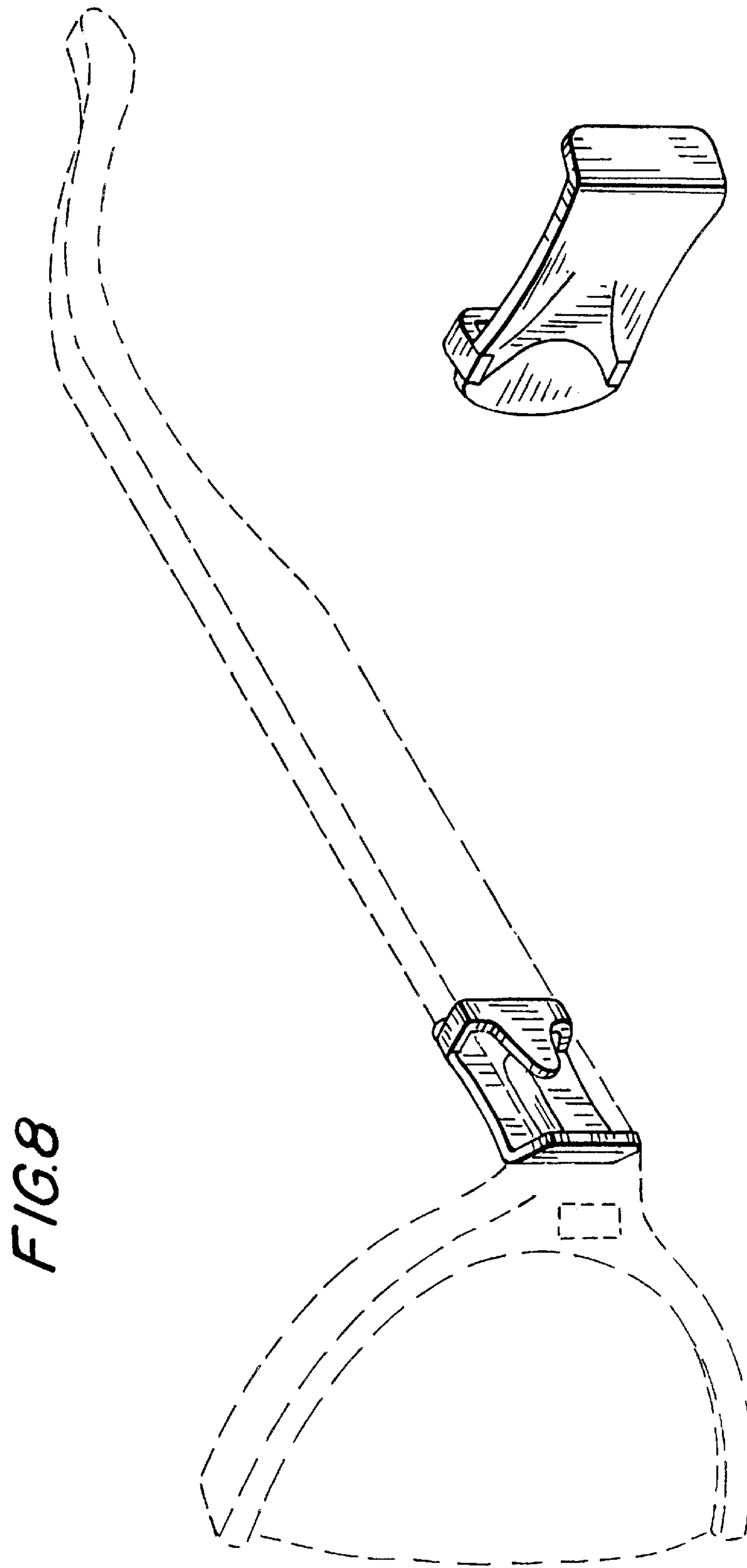


FIG. 8

FIG. 9

FIG.10

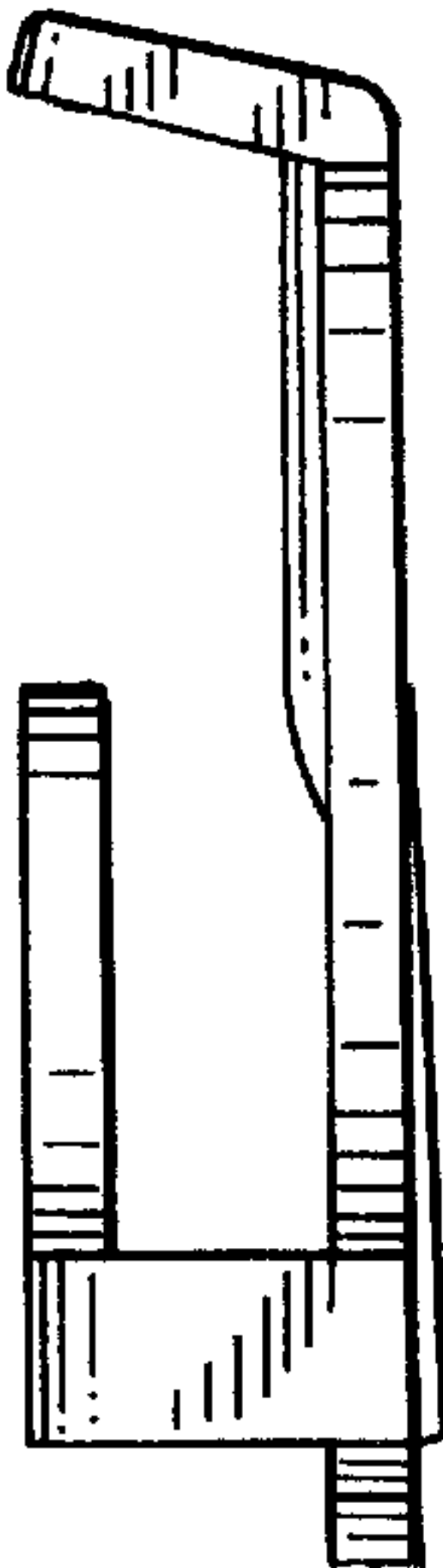


FIG.13

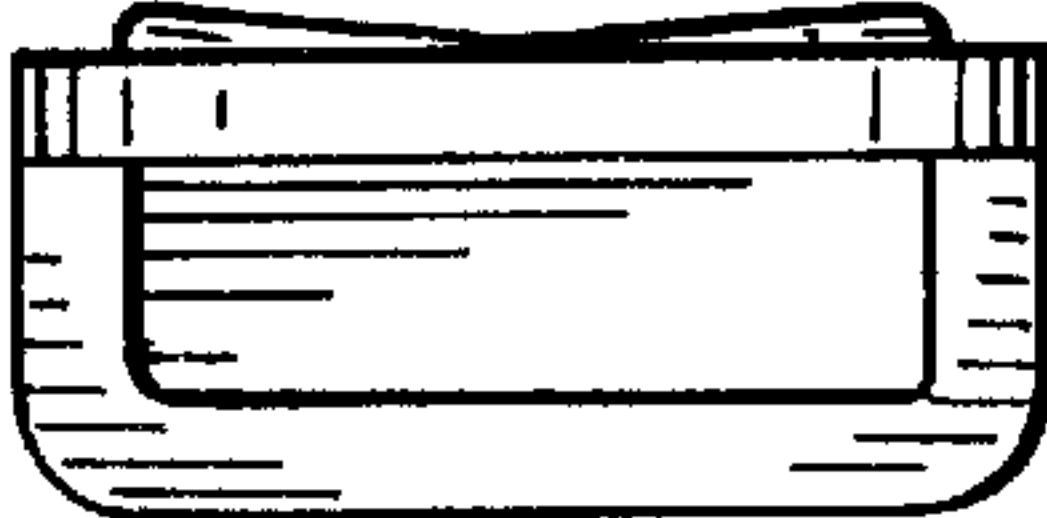


FIG.11

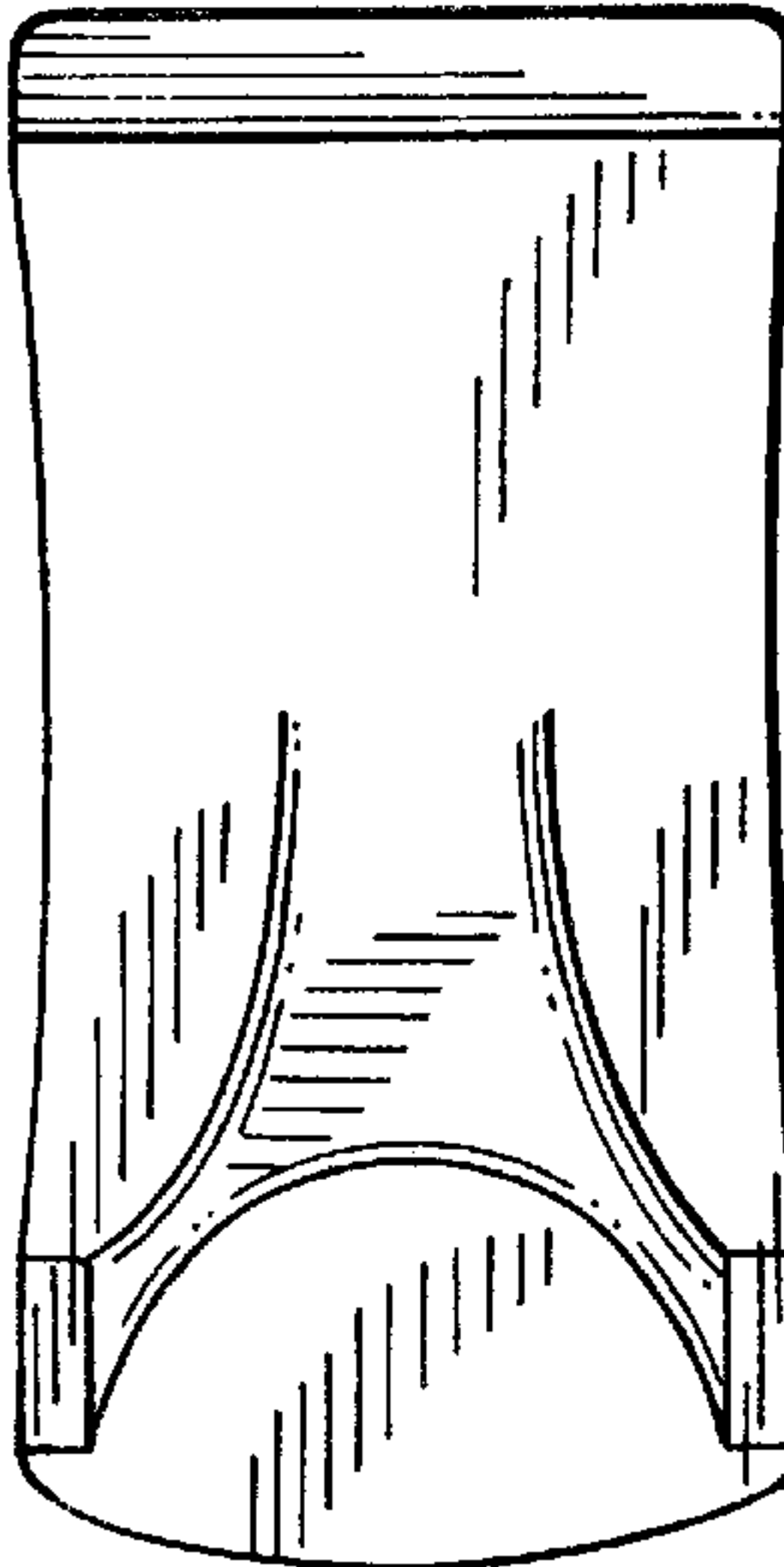


FIG.12

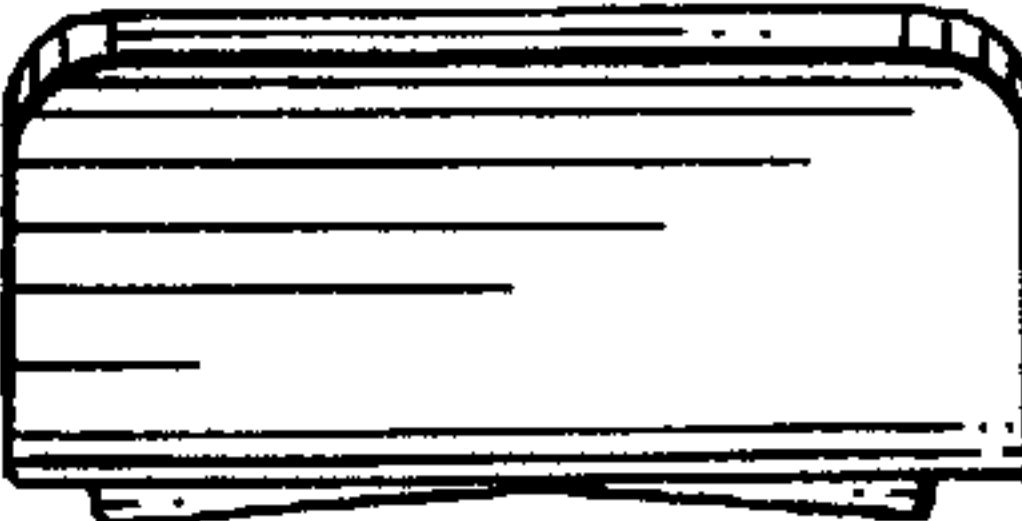


FIG.14

