



US00D516603S

(12) **United States Design Patent**  
Yeh et al.

(10) **Patent No.:** US D516,603 S  
(45) **Date of Patent:** \*\* Mar. 7, 2006

(54) **VIDEO PROJECTOR**

(75) Inventors: **Ching-Lin Yeh**, Taoyuan (TW);  
**Cheng-Shan Lin**, Jhonghe (TW);  
**Yung-Chuan Ma**, Taoyuan (TW);  
**Chien-Jui Wang**, Taipei (TW);  
**Yung-Song Chen**, Fengshan (TW);  
**Hsien-Chun Chang**, Taoyuan (TW)

(73) Assignee: **Benq Corporation**, Taoyuan (TW)

(\*\*) Term: **14 Years**

(21) Appl. No.: **29/217,463**

(22) Filed: **Nov. 17, 2004**

(30) **Foreign Application Priority Data**

Jun. 3, 2004 (TW) ..... 93303297

(51) **LOC (8) Cl.** ..... **16-02**

(52) **U.S. Cl.** ..... **D16/230; D16/225**

(58) **Field of Classification Search** ..... D16/205,  
D16/208, 213, 221, 225, 230, 231, 234; D21/514;  
353/115, 119, 122

See application file for complete search history.

(56) **References Cited**

**U.S. PATENT DOCUMENTS**

D437,337 S \* 2/2001 Kawasaki et al. .... D16/230  
D454,360 S \* 3/2002 Shimizu et al. .... D16/230  
D470,525 S \* 2/2003 Nakayama et al. .... D16/231

D474,799 S \* 5/2003 Kawasaki et al. .... D16/230  
D480,409 S \* 10/2003 Wang et al. .... D16/230  
6,793,346 B1 \* 9/2004 Nakano et al. .... 353/119  
6,869,186 B1 \* 3/2005 Ogawa ..... 353/31  
D506,770 S \* 6/2005 Saeki et al. .... D16/230  
D507,008 S \* 7/2005 Pininfarina ..... D16/230

\* cited by examiner

*Primary Examiner*—Adir Aronovich

(74) *Attorney, Agent, or Firm*—Thomas, Kayden,  
Horstemeyer & Risley

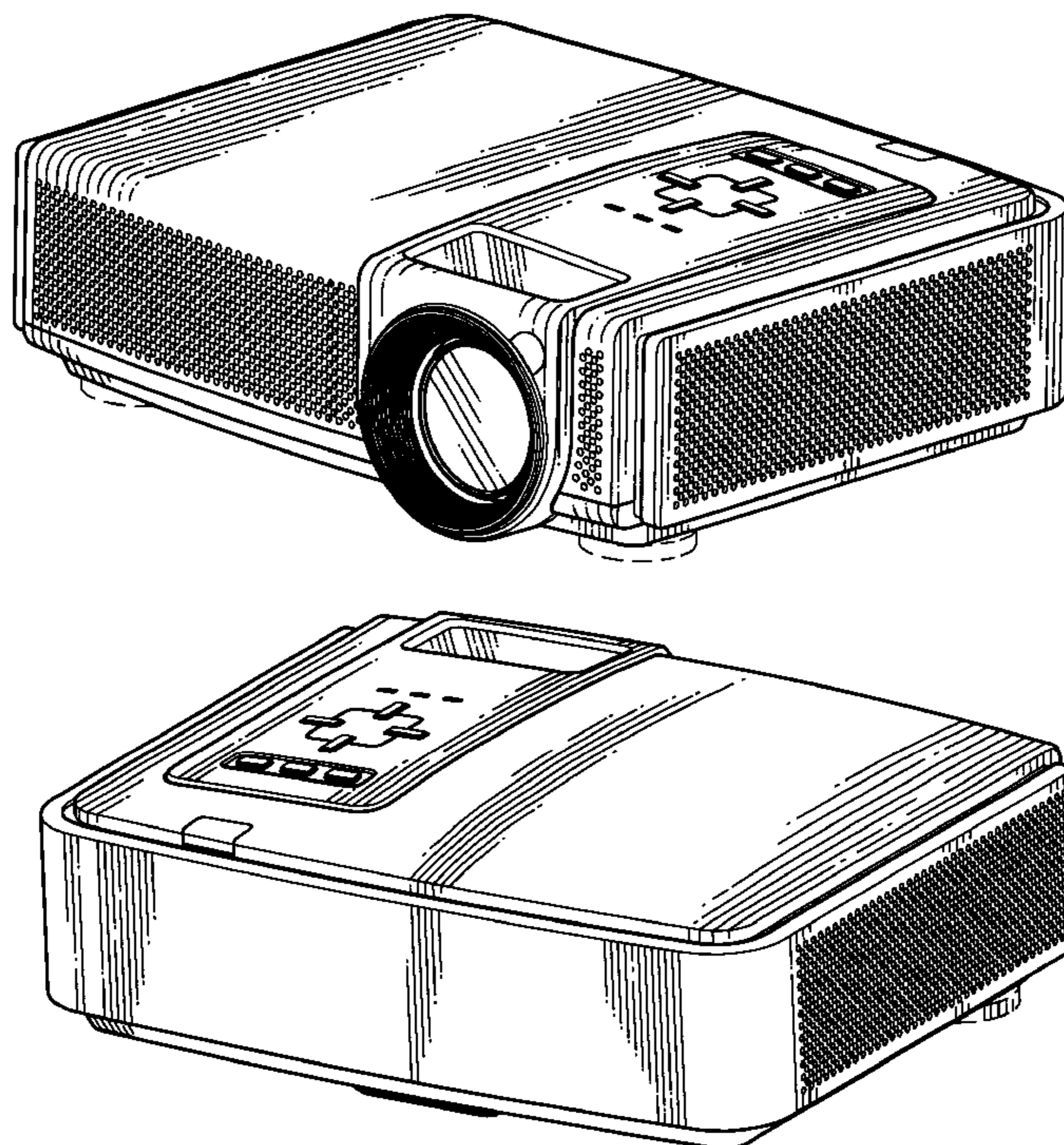
(57) **CLAIM**

The ornamental design for a video projector, as shown and described.

**DESCRIPTION**

FIG. 1 is a front and right side perspective view of a video projector showing our new design;  
FIG. 2 is a front elevational view thereof;  
FIG. 3 is a rear elevational view thereof;  
FIG. 4 is a left side elevational view thereof;  
FIG. 5 is a right side elevational view thereof;  
FIG. 6 is a top plan view thereof;  
FIG. 7 is a bottom plan view thereof; and,  
FIG. 8 is a rear and left side perspective view thereof.  
The portions of the projector in broken lines are shown for illustrative purposes only and form no part of the claimed design.

**1 Claim, 8 Drawing Sheets**



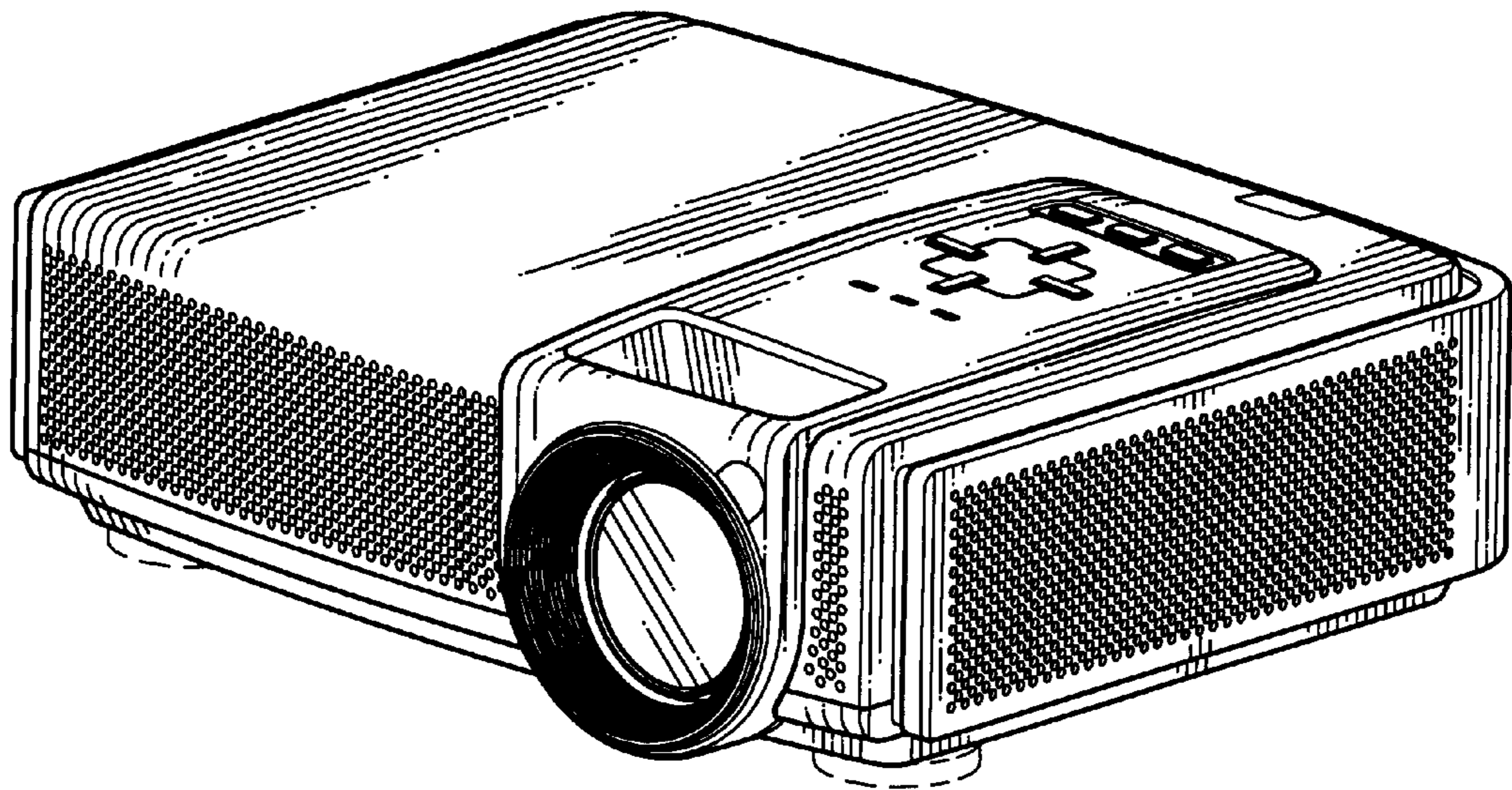


FIG. 1

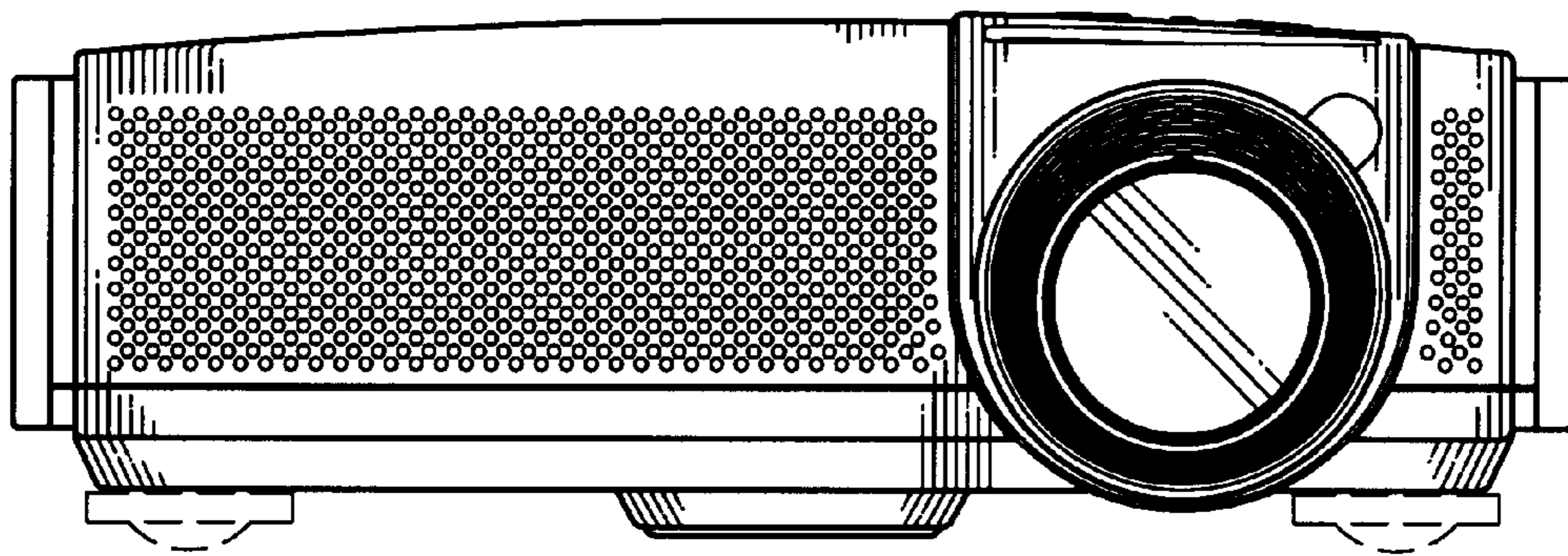


FIG. 2

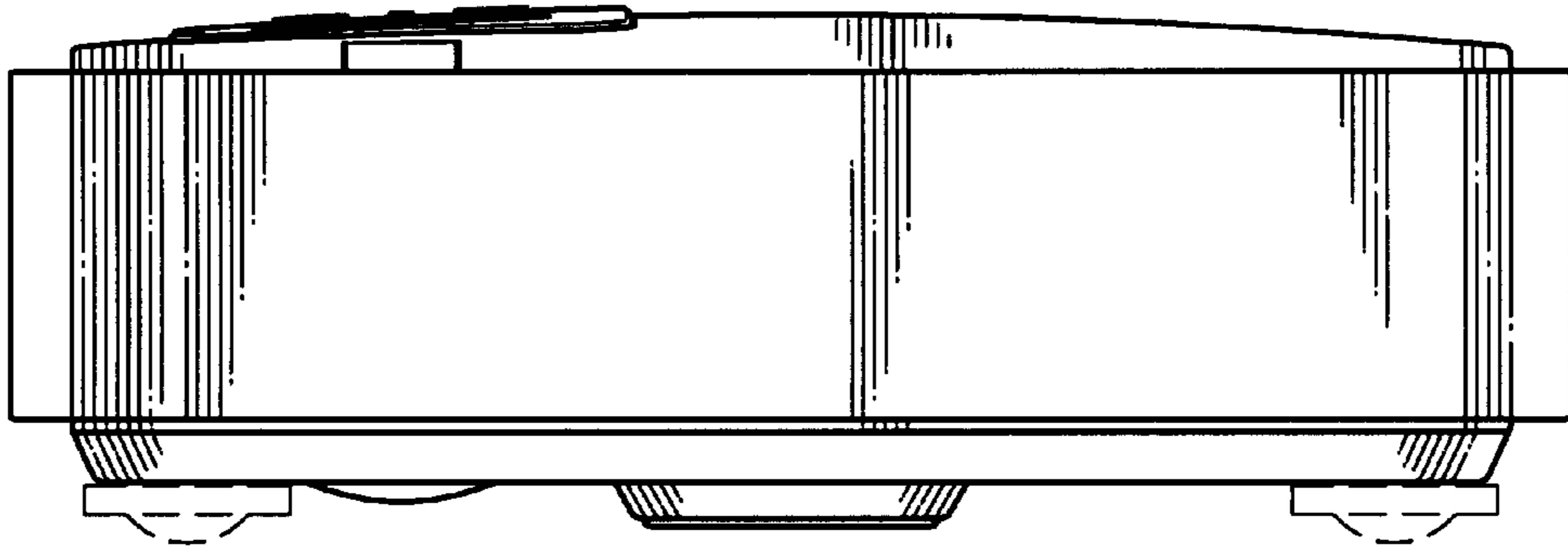


FIG. 3

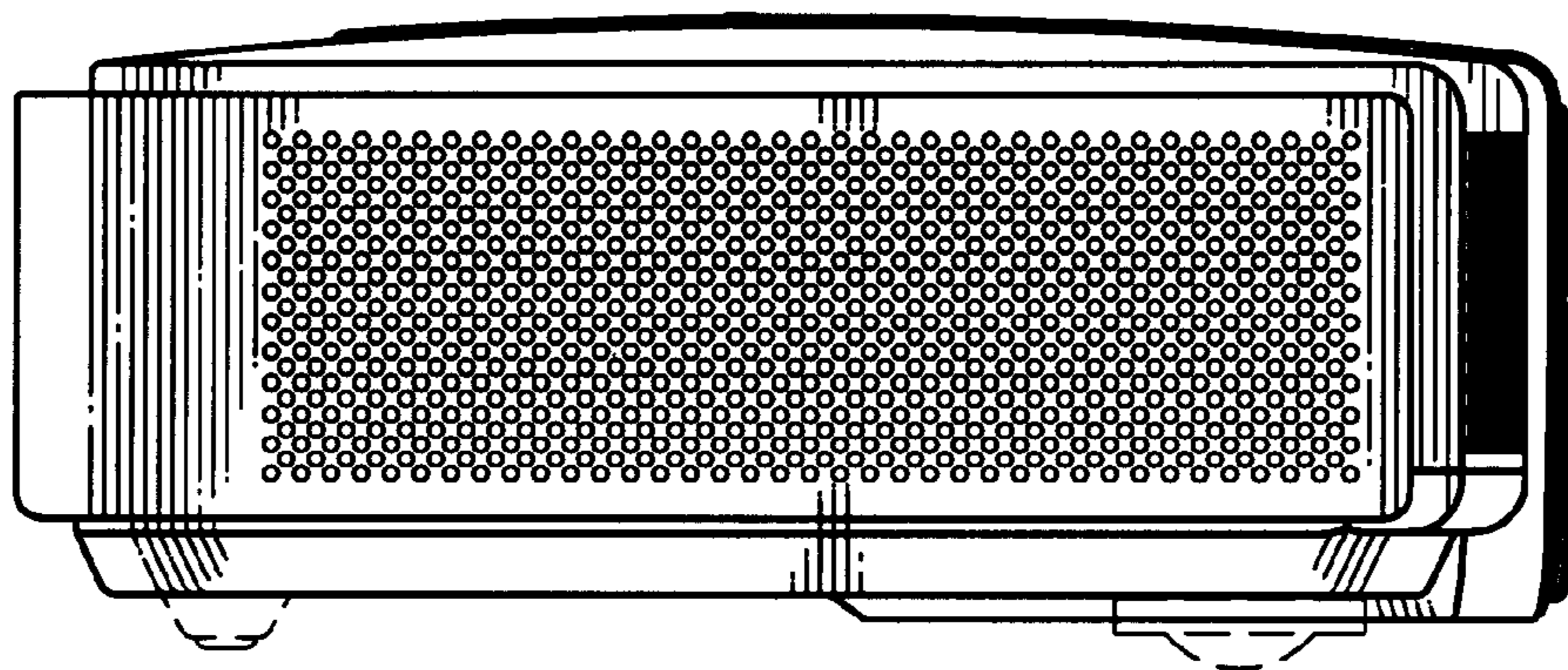


FIG. 4

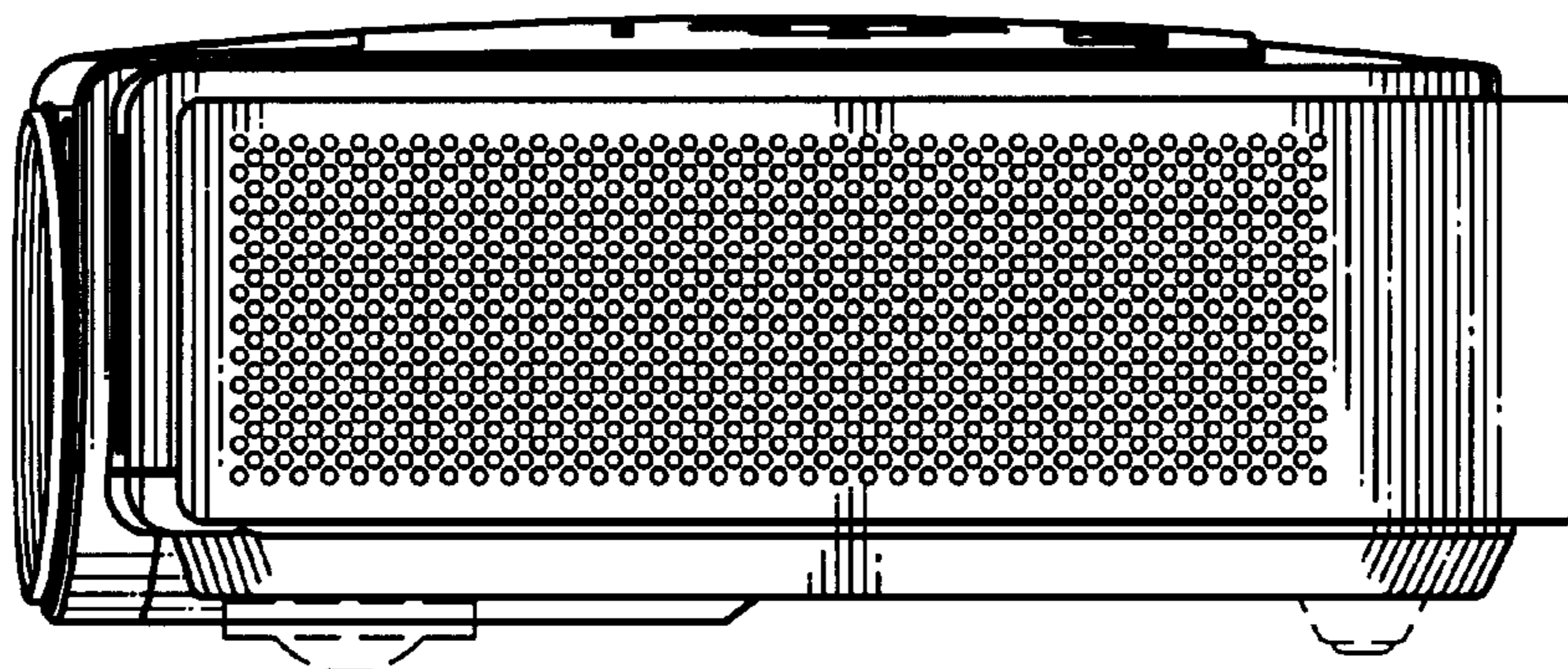


FIG. 5

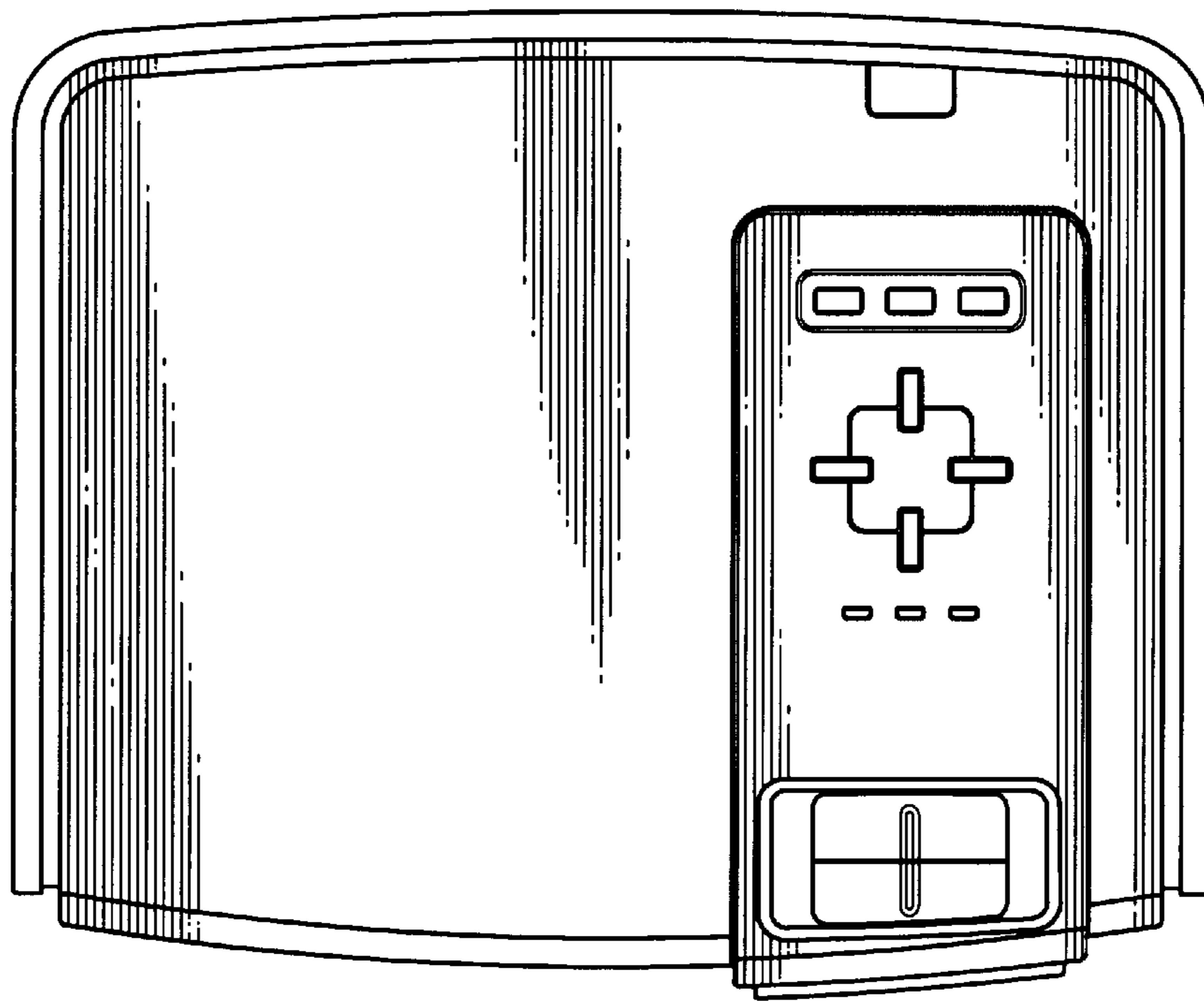


FIG. 6

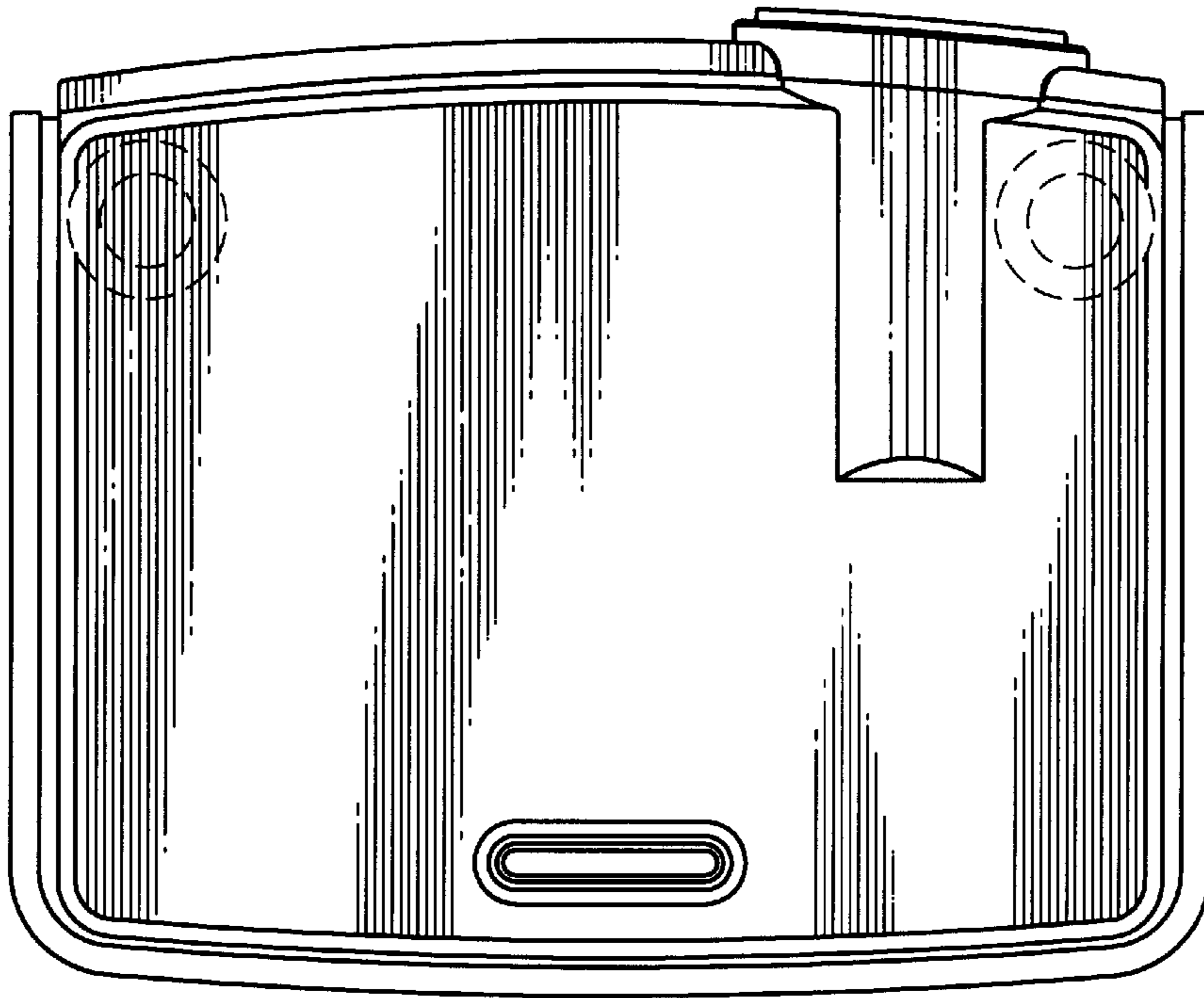


FIG. 7



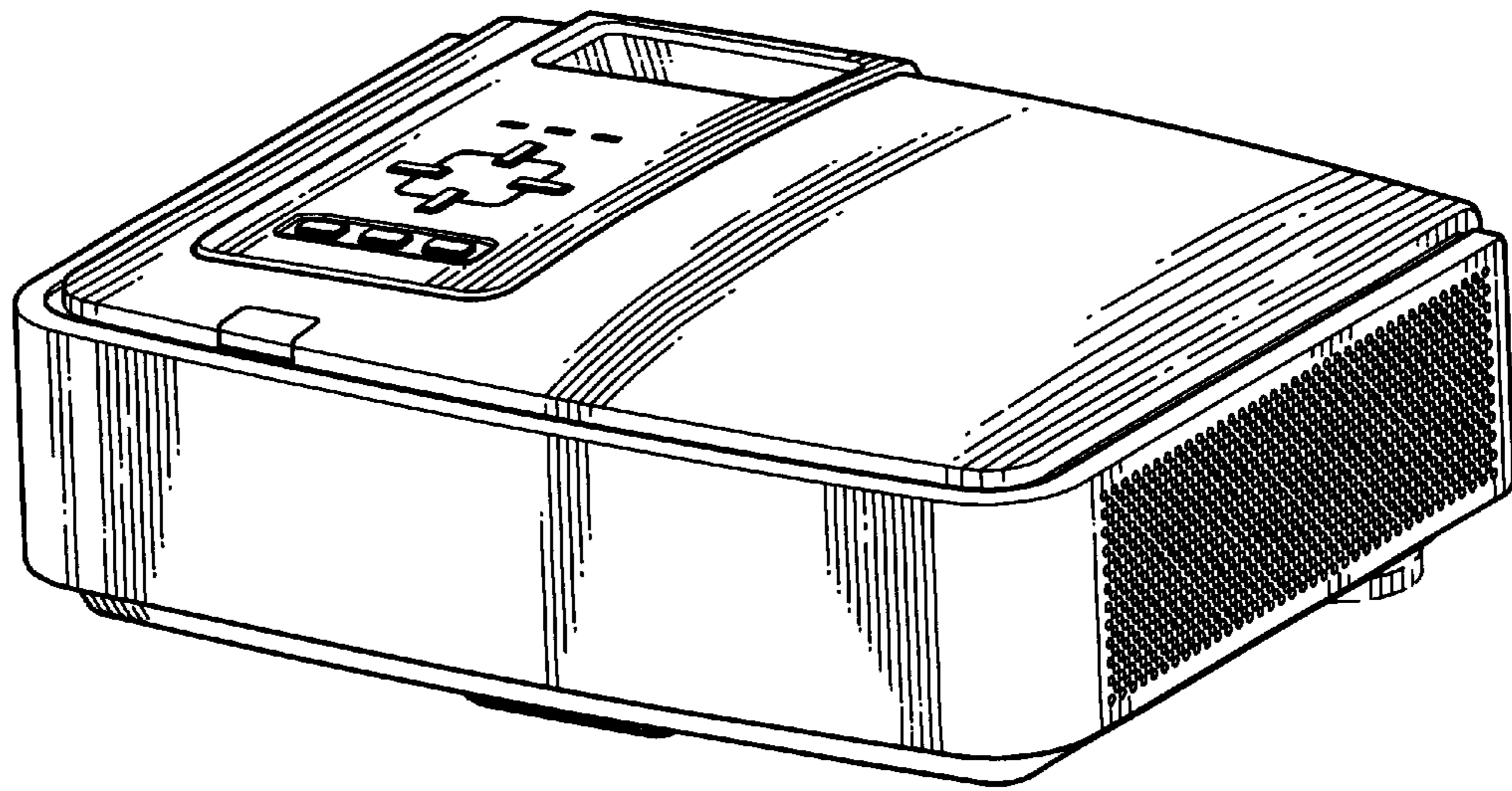


FIG. 8