



US00D516602S

(12) **United States Design Patent**  
**Ishii**

(10) **Patent No.:** **US D516,602 S**  
(45) **Date of Patent:** **\*\* Mar. 7, 2006**

(54) **CAMERA**

(75) **Inventor:** **Daisuke Ishii, Tokyo (JP)**

(73) **Assignee:** **Sony Corporation, Tokyo (JP)**

(\*\*) **Term:** **14 Years**

(21) **Appl. No.:** **29/215,739**

(22) **Filed:** **Oct. 25, 2004**

(51) **LOC (8) Cl.** ..... **16-05**

(52) **U.S. Cl.** ..... **D16/219; D16/218**

(58) **Field of Classification Search** ..... **D16/200–206,**  
**D16/208, 218, 219; 348/373–376; 358/906,**  
**358/909.1; 396/535–541**

See application file for complete search history.

(56) **References Cited**

**U.S. PATENT DOCUMENTS**

D450,073 S	*	11/2001	Sumita	.....	D16/202
D450,737 S		11/2001	Suzuki	.....	D16/202
D477,832 S		7/2003	Suzuki	.....	D16/218
D491,970 S		6/2004	Ikenaga	.....	D16/218
D494,990 S	*	8/2004	Su et al.	.....	D16/202
D500,333 S	*	12/2004	Hong et al.	.....	D16/218

D501,496 S	*	2/2005	Sadatsuki	.....	D16/218
D501,865 S	*	2/2005	Li et al.	.....	D16/219

\* cited by examiner

*Primary Examiner*—Adir Aronovich

(74) *Attorney, Agent, or Firm*—Rader, Fishman & Grauer PLLC

(57) **CLAIM**

The ornamental design for a camera, as shown and described.

**DESCRIPTION**

FIG. 1 is a perspective view of a camera showing my new design;

FIG. 2 is a front elevational view thereof;

FIG. 3 is a rear elevational view thereof;

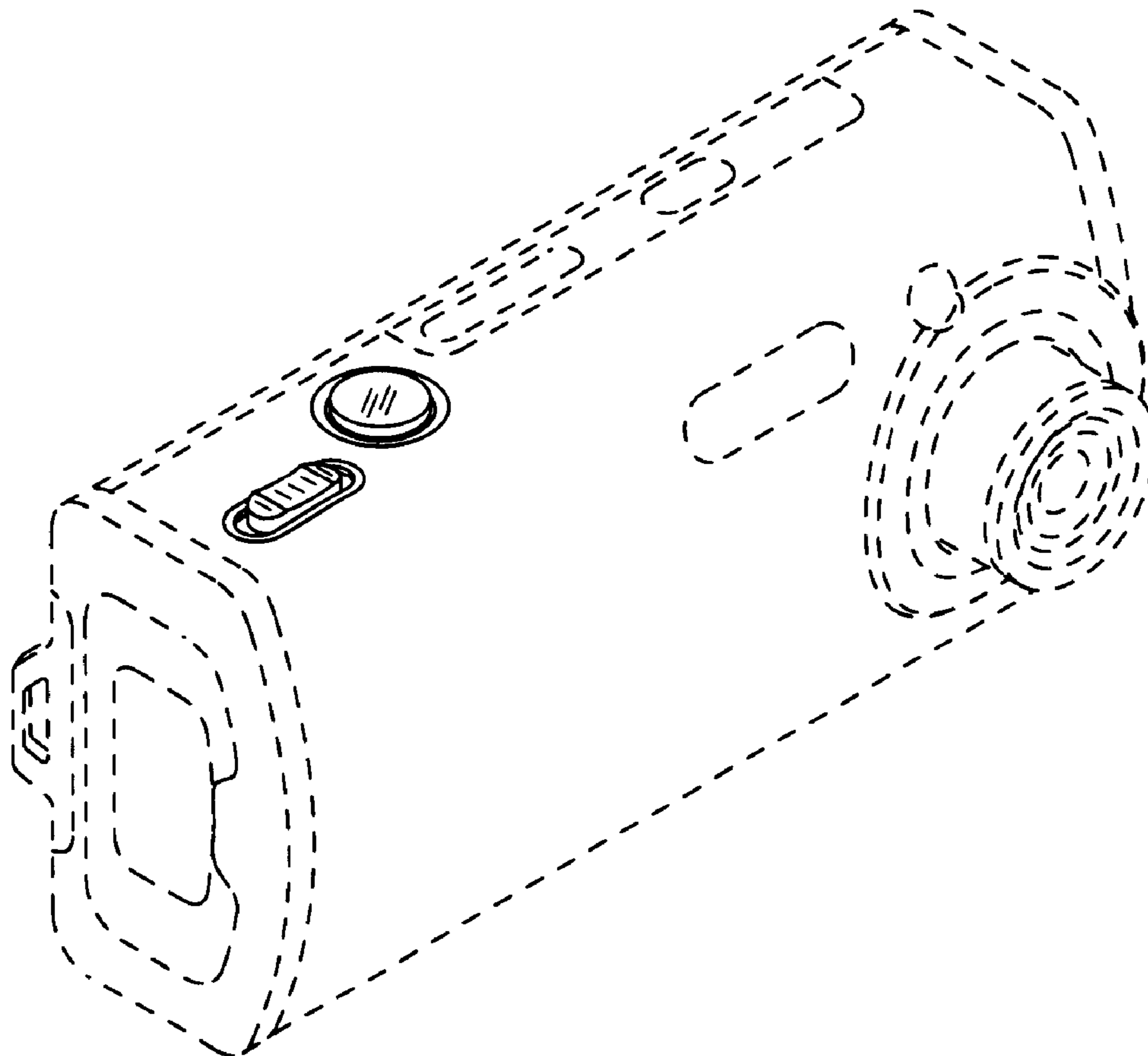
FIG. 4 is a left side elevational view thereof;

FIG. 5 is a right side elevational view thereof; and,

FIG. 6 is a top plan view thereof.

Portions of FIGS. 1–6 that are shown as broken lines are for illustrative purpose only and form no part of the claimed design.

**1 Claim, 4 Drawing Sheets**



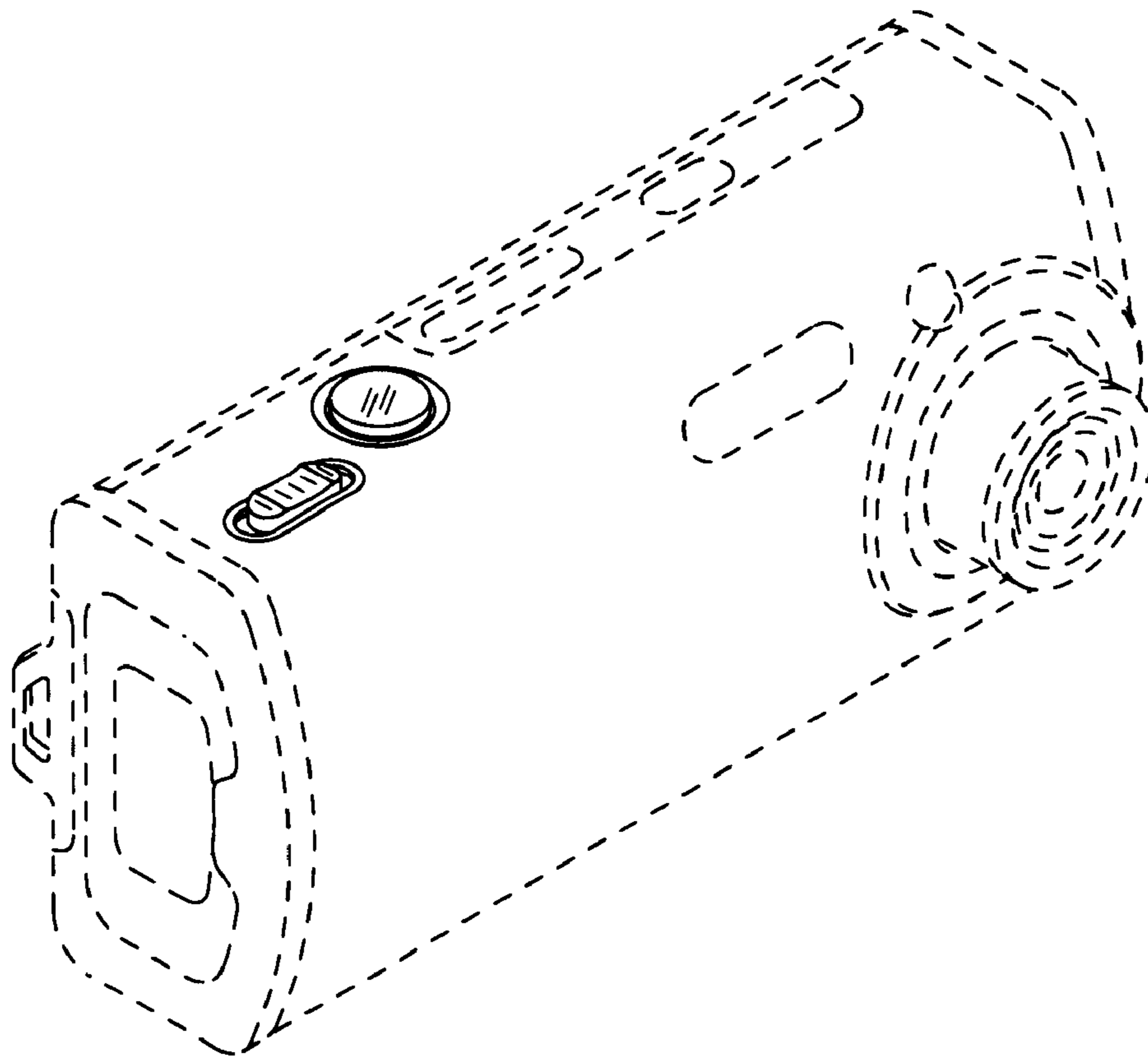


FIG. 1

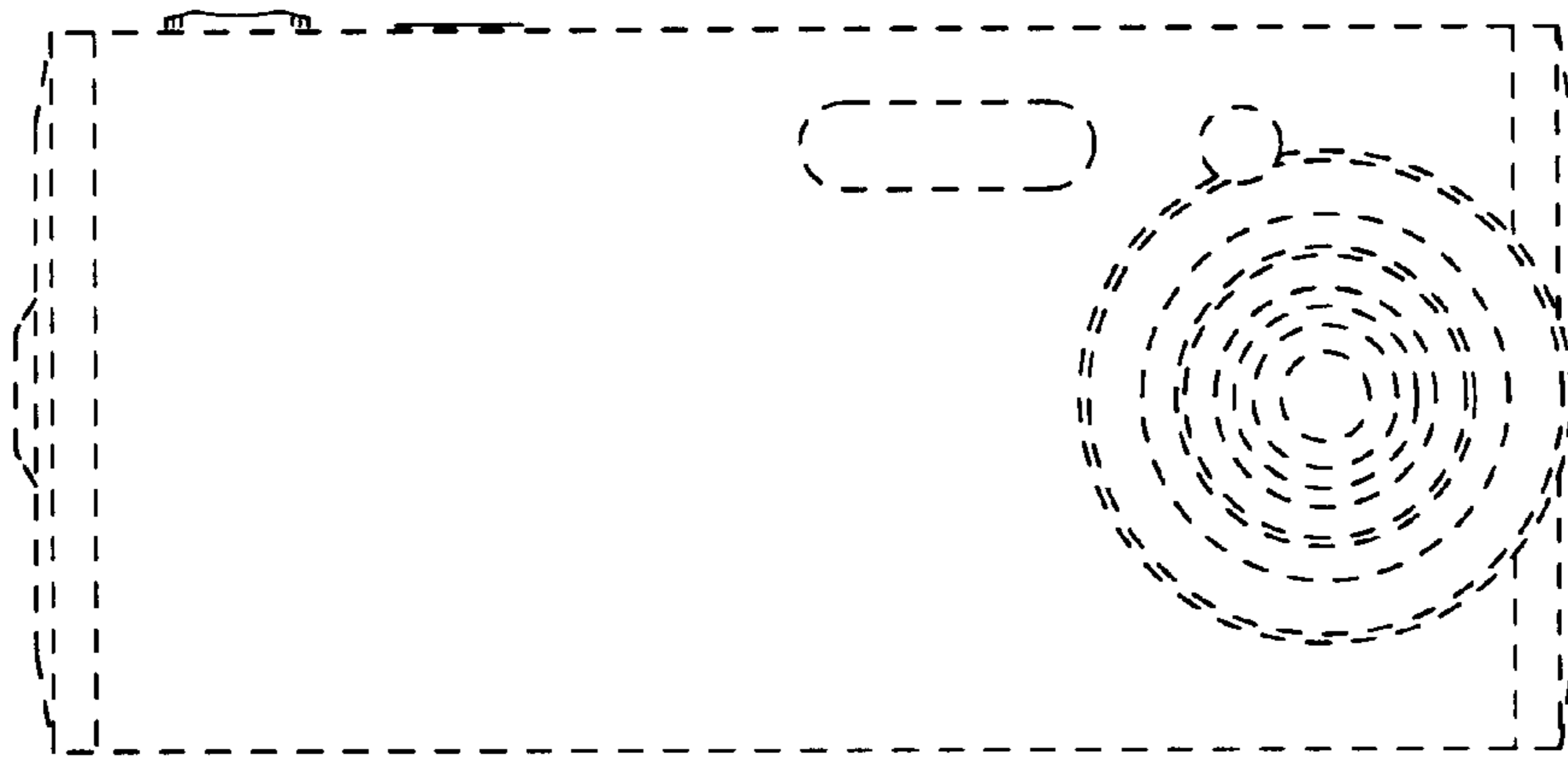


FIG. 2

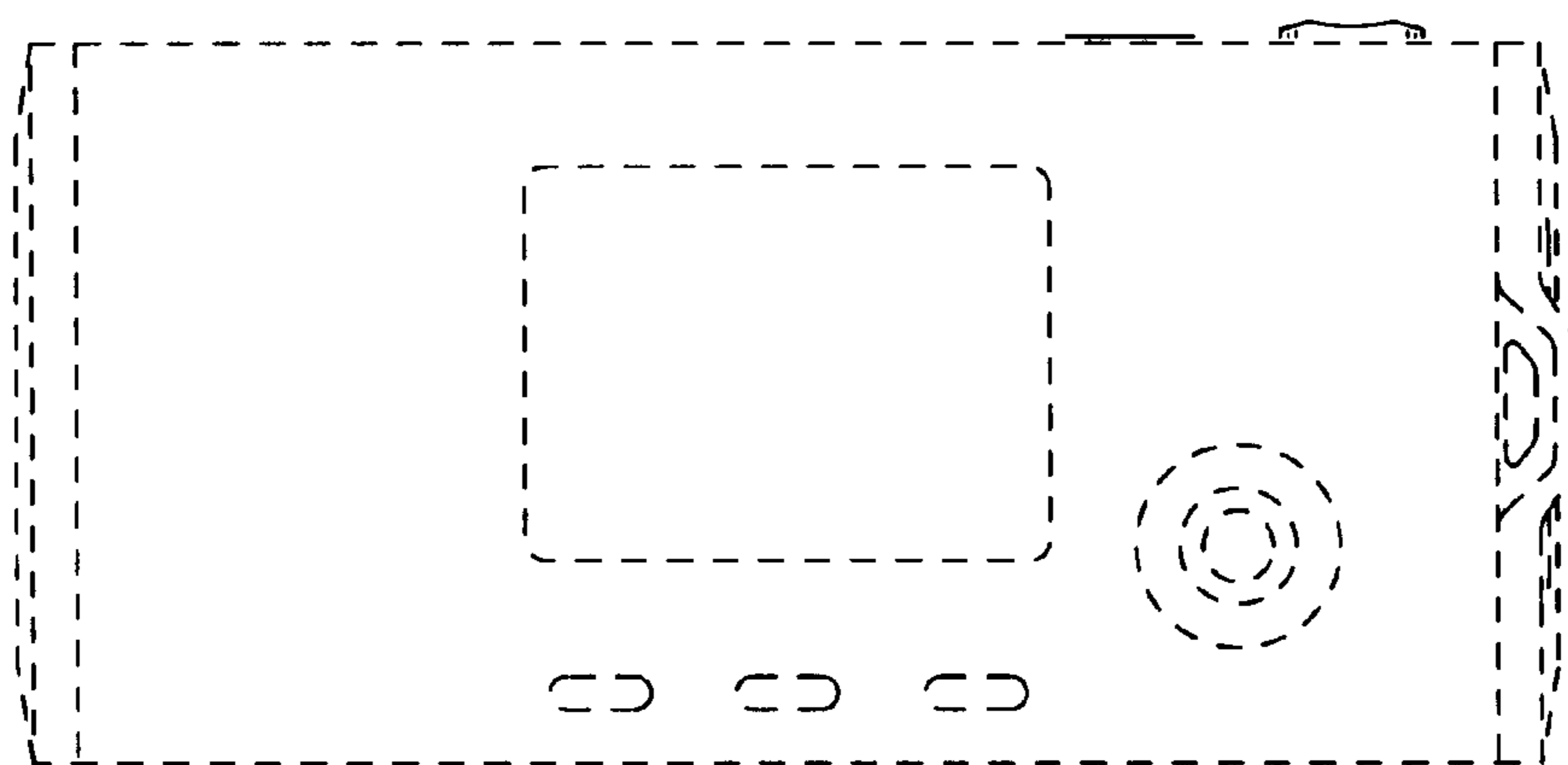
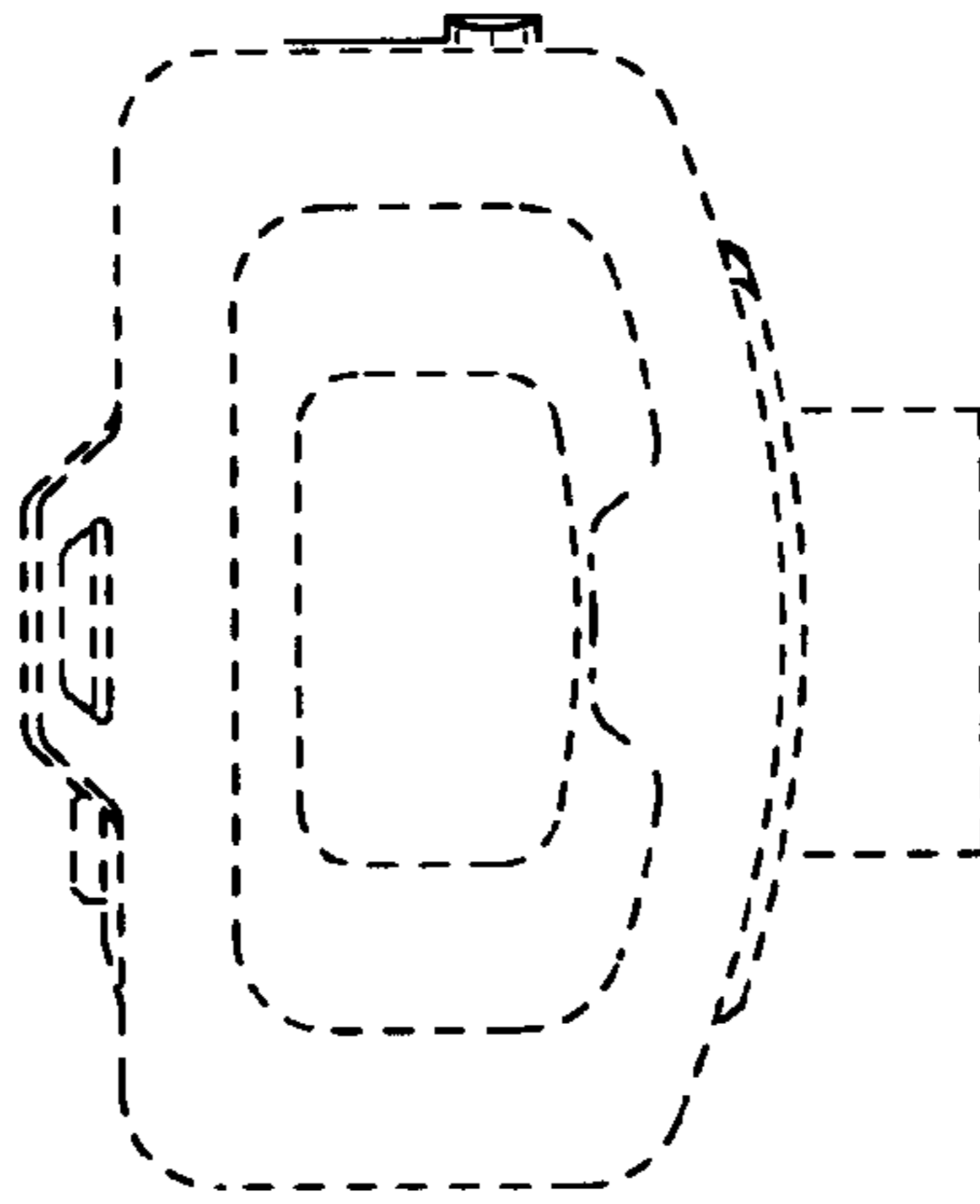
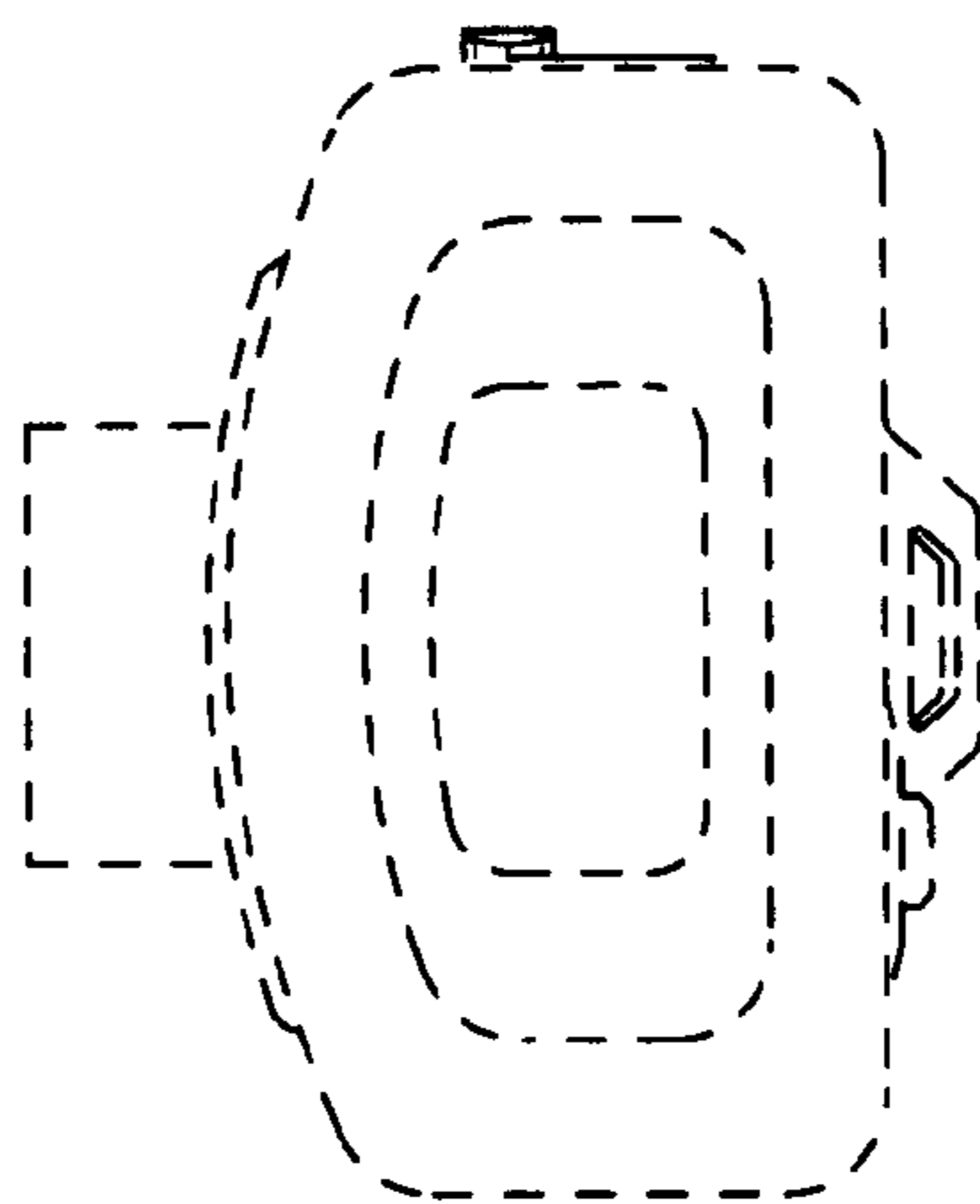


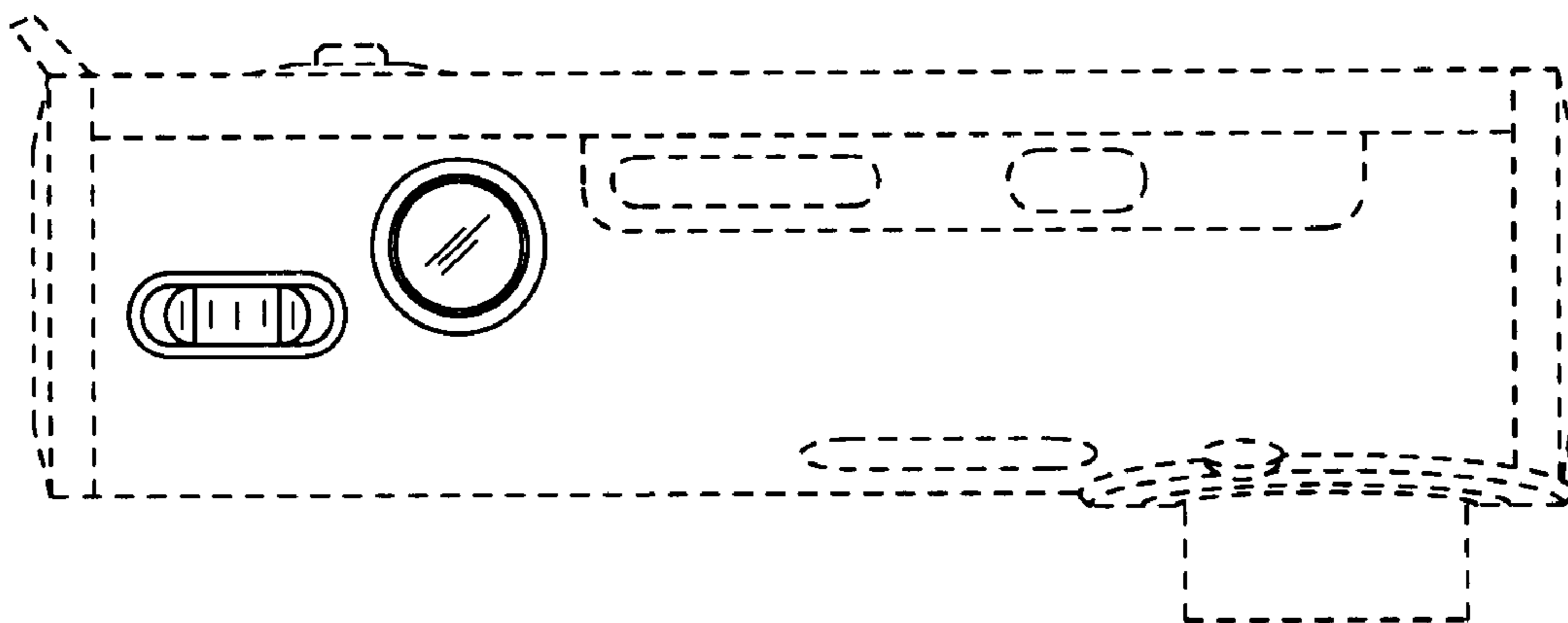
FIG. 3



**FIG. 4**



**FIG. 5**



*FIG. 6*