



US00D516601S

(12) **United States Design Patent** (10) **Patent No.:** **US D516,601 S**  
**Ishii** (45) **Date of Patent:** **\*\* Mar. 7, 2006**

(54) **CAMERA**

(75) **Inventor:** **Daisuke Ishii, Tokyo (JP)**

(73) **Assignee:** **Sony Corporation, Tokyo (JP)**

(\*\*) **Term:** **14 Years**

(21) **Appl. No.:** **29/215,737**

(22) **Filed:** **Oct. 25, 2004**

(51) **LOC (8) Cl.** ..... **16-01**

(52) **U.S. Cl.** ..... **D16/218; D16/202**

(58) **Field of Classification Search** ..... **D16/200–206,**  
**D16/208, 212, 218; 348/373–376; 358/906,**  
**358/909.1; 396/535–541**

See application file for complete search history.

(56) **References Cited**

**U.S. PATENT DOCUMENTS**

3,418,909 A	*	12/1968	Rabinow	.....	D16/218
D449,628 S	*	10/2001	Obata et al.	.....	D16/202
D450,737 S		11/2001	Suzuki	.....	D16/202
D477,832 S		7/2003	Suzuki	.....	D16/218
D480,742 S	*	10/2003	Chin	.....	D16/218
D491,970 S		6/2004	Ikenaga	.....	D16/218
D494,990 S	*	8/2004	Su et al.	.....	D16/202
D500,333 S	*	12/2004	Hong et al.	.....	D16/202
D501,496 S	*	2/2005	Sadatsuki	.....	D16/218
D503,182 S	*	3/2005	Ogura	.....	D16/202

**OTHER PUBLICATIONS**

Web page “Sony Cyber-shot DSC-U40” <http://www.ecat-sony.co.jp/camera/dsc/products/index.cfm?PD=15565&KM=DSC-U40>, 1 sheet, Sony (Aug. 2004).

Web page “Panasonic DMC-FX5-S” [http://www.yodobashi.com/enjoy/more/i/old2\\_16112551/1428470.html](http://www.yodobashi.com/enjoy/more/i/old2_16112551/1428470.html), 1 sheet, Yodobashi Camera (Aug. 2004).

Web page “Canon IXY Digital 500” [http://www.yodobashi.com/enjoy/more/l/oid2\\_544526/19391491.html](http://www.yodobashi.com/enjoy/more/l/oid2_544526/19391491.html), 1 sheet, Yodobashi Camera (Aug. 2004).

Web page “Fujifilm FinePix F710” [http://www8.yodobashi.com/enjoy/more/i/cat\\_89\\_15830039\\_1582702/19532898.html](http://www8.yodobashi.com/enjoy/more/i/cat_89_15830039_1582702/19532898.html), 1 sheet, Yodobashi Camera (Jul. 2004).

Web page “Olympus Camedia X-3” [http://www8.yodobashi.com/enjoy/more/i/cat\\_89\\_13530039\\_1582707\\_1589234/20839873.html](http://www8.yodobashi.com/enjoy/more/i/cat_89_13530039_1582707_1589234/20839873.html), 1 sheet, Yodobashi Camera (Jul. 2004).

\* cited by examiner

*Primary Examiner*—Adir Aronovich

(74) *Attorney, Agent, or Firm*—Rader, Fishman & Grauer PLLC

(57) **CLAIM**

The ornamental design for a camera, as shown.

**DESCRIPTION**

FIG. 1 is a perspective view of a camera showing my new design;

FIG. 2 is a front elevational view thereof;

FIG. 3 is a rear elevational view thereof;

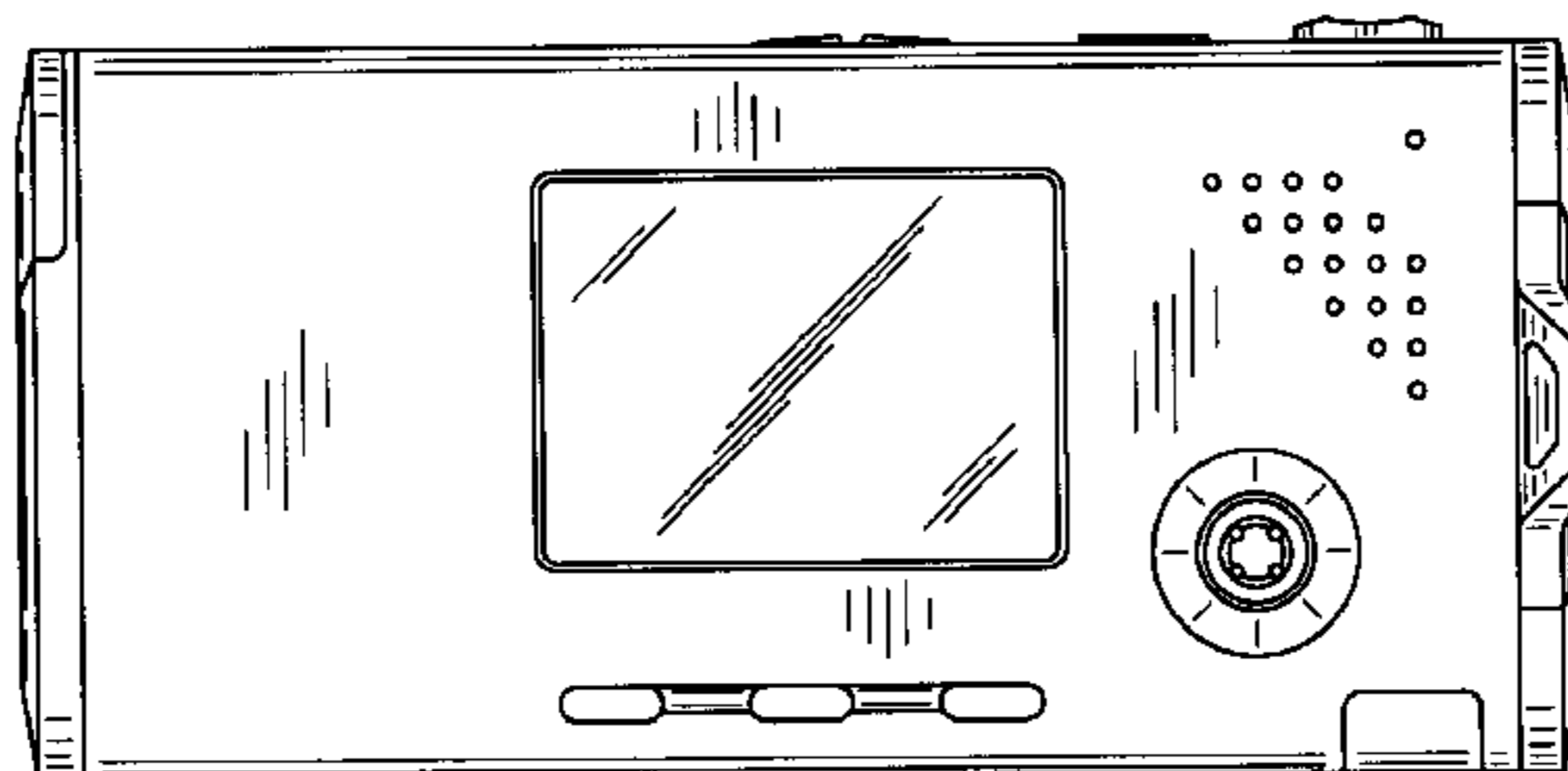
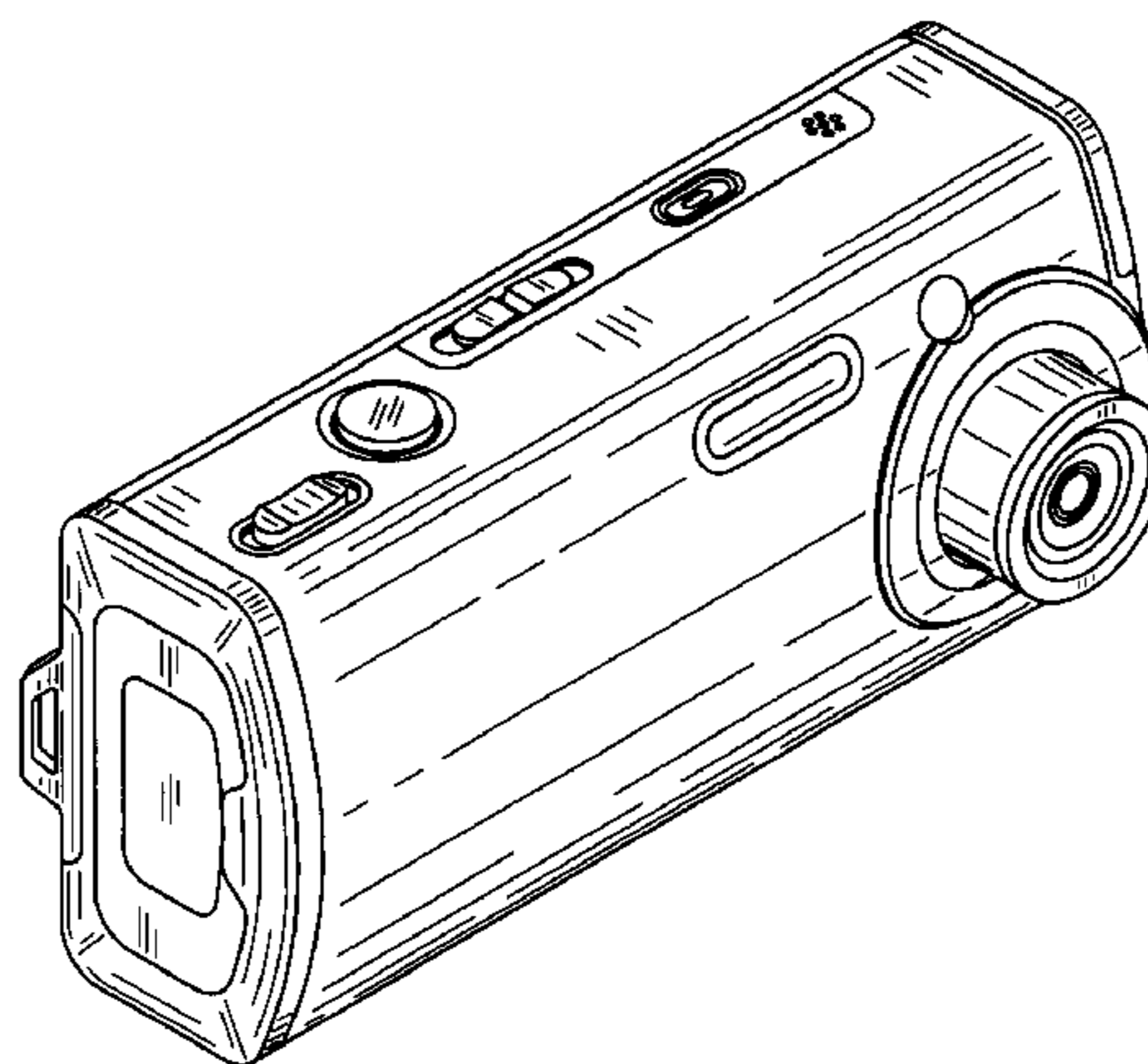
FIG. 4 is a left side elevational view thereof;

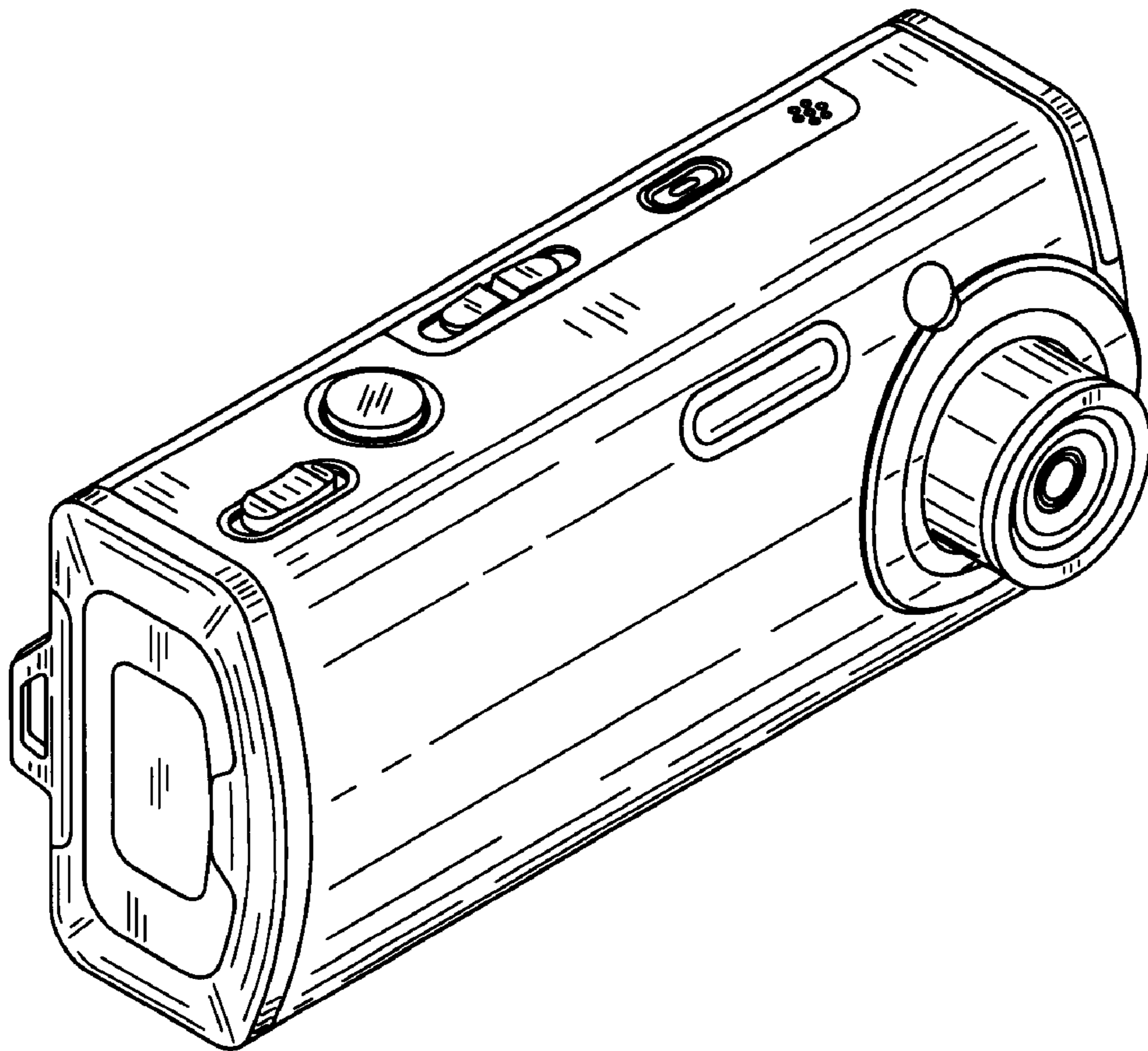
FIG. 5 is a right side elevational view thereof;

FIG. 6 is a top plan view thereof; and,

FIG. 7 is a bottom plan view thereof.

**1 Claim, 4 Drawing Sheets**





*FIG. 1*

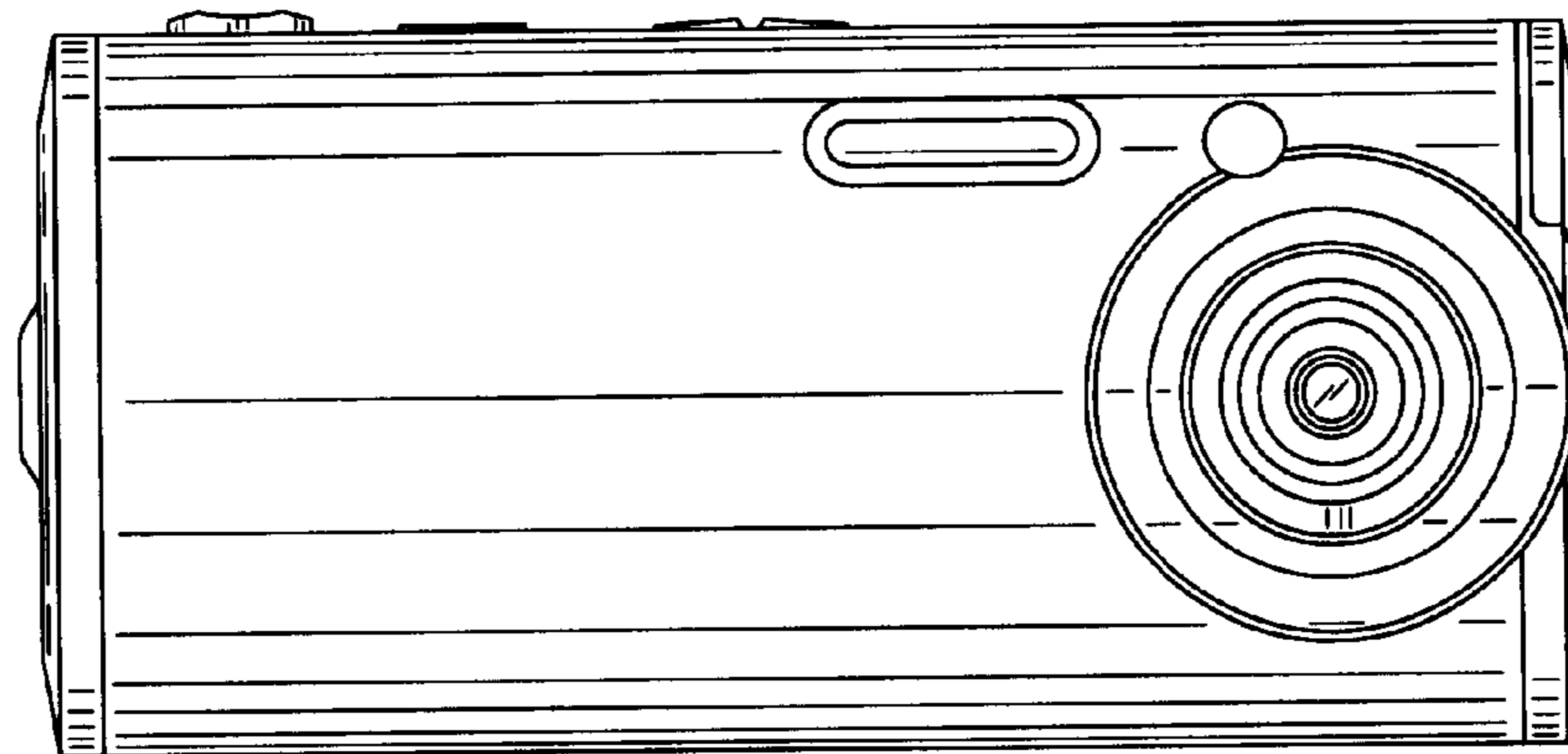


FIG. 2

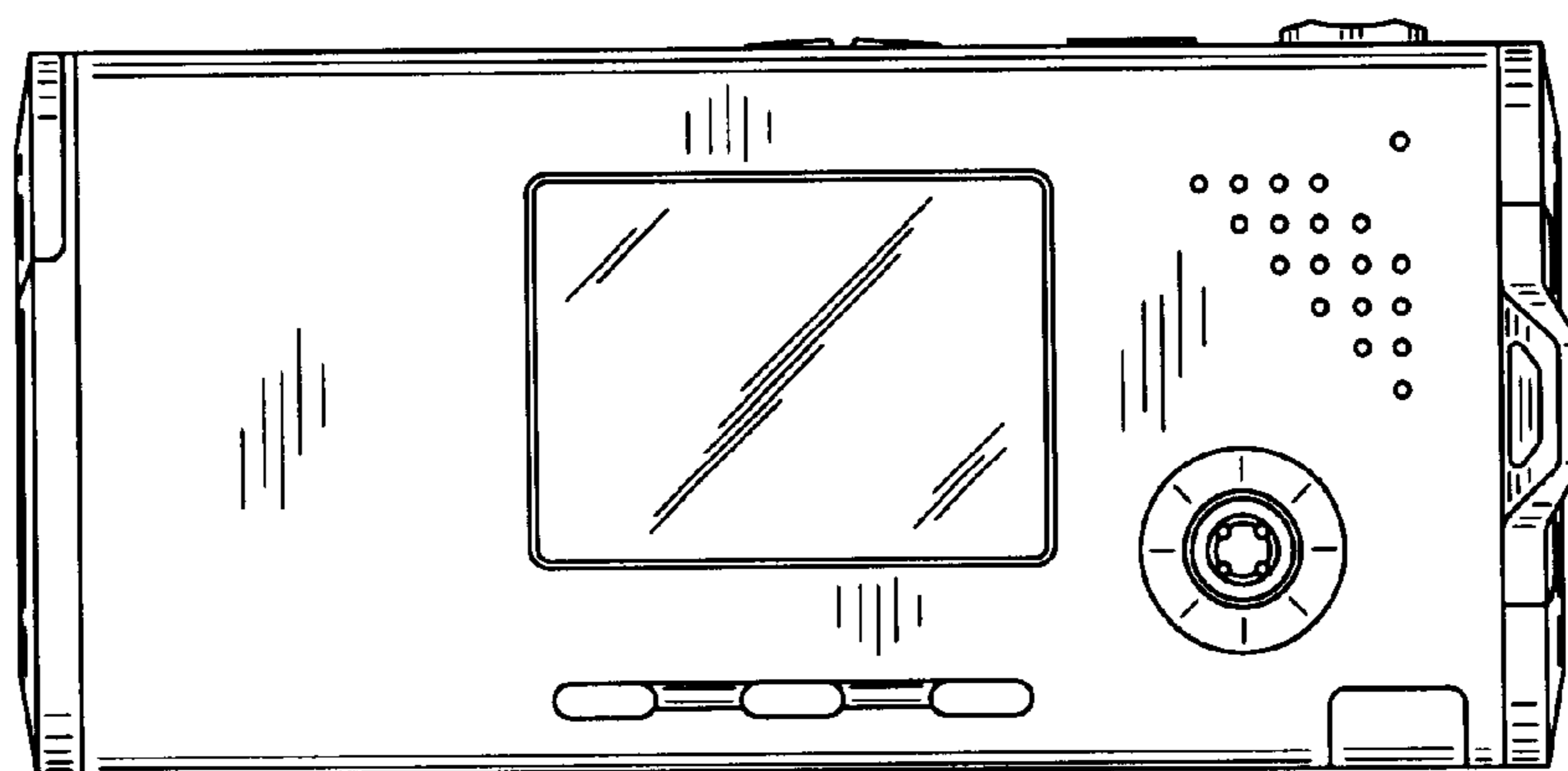
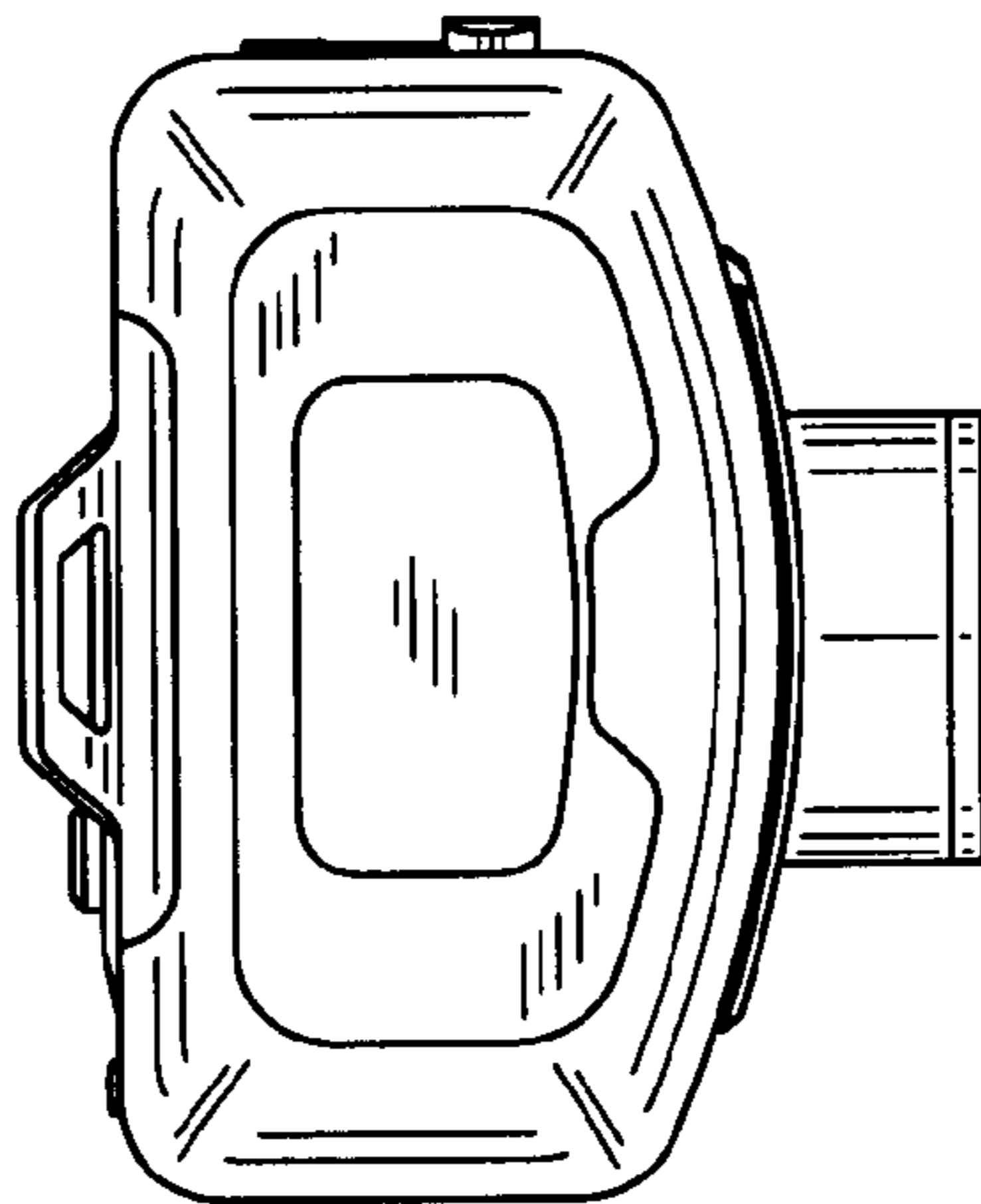
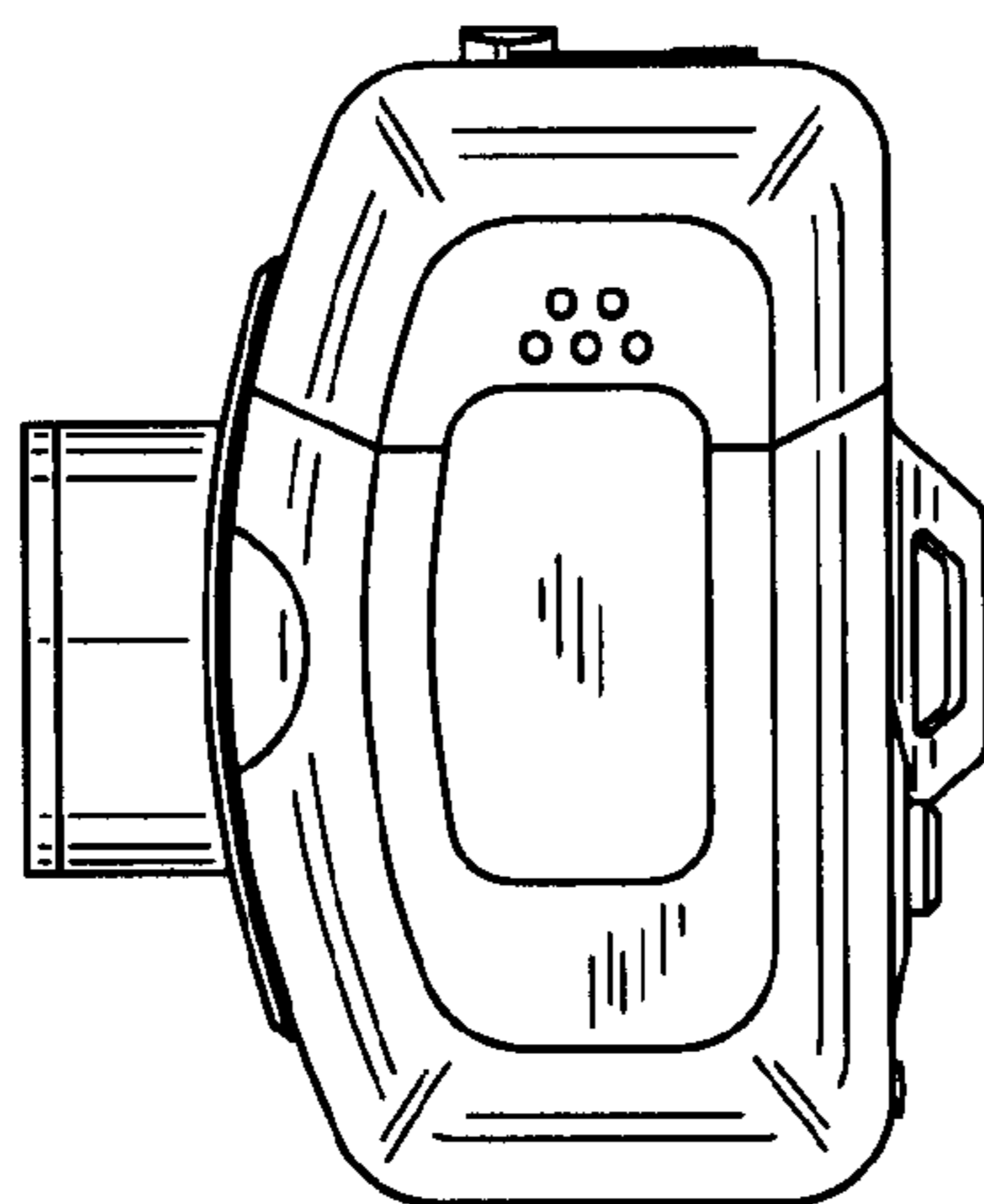


FIG. 3



*FIG. 4*



*FIG. 5*

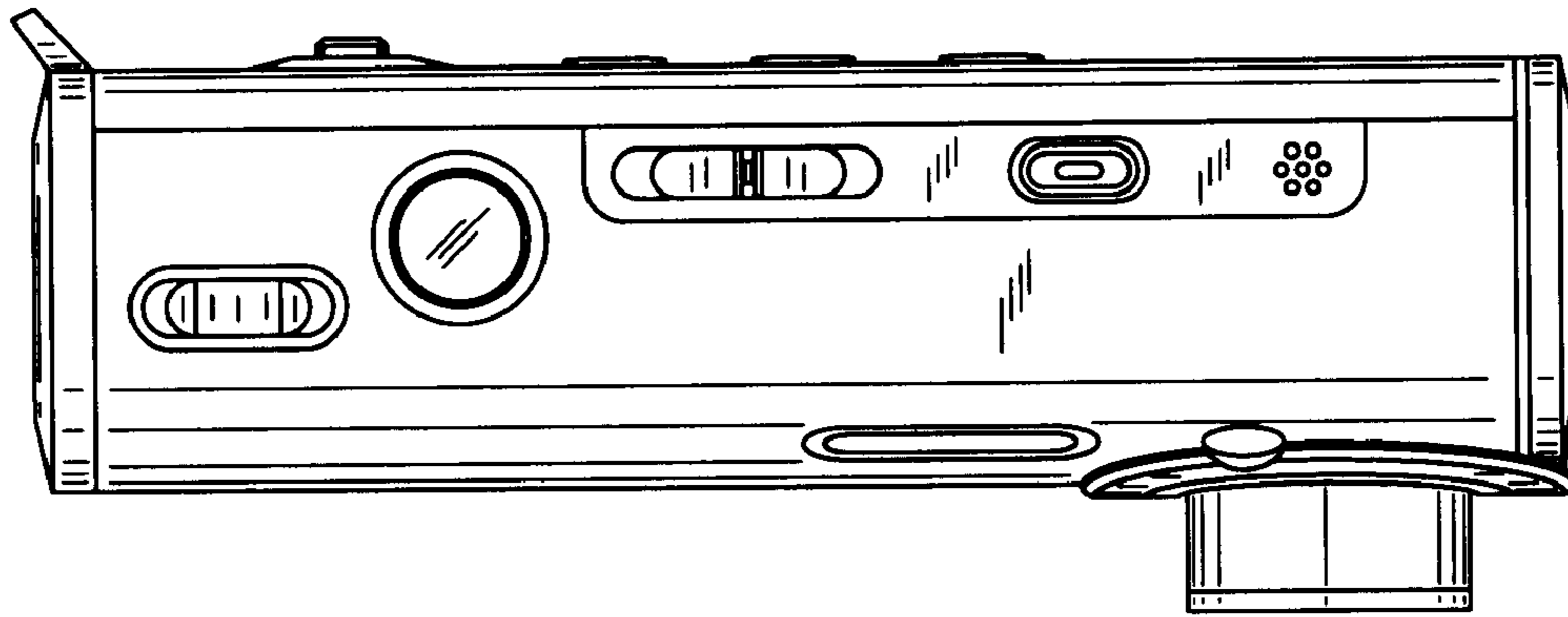


FIG. 6

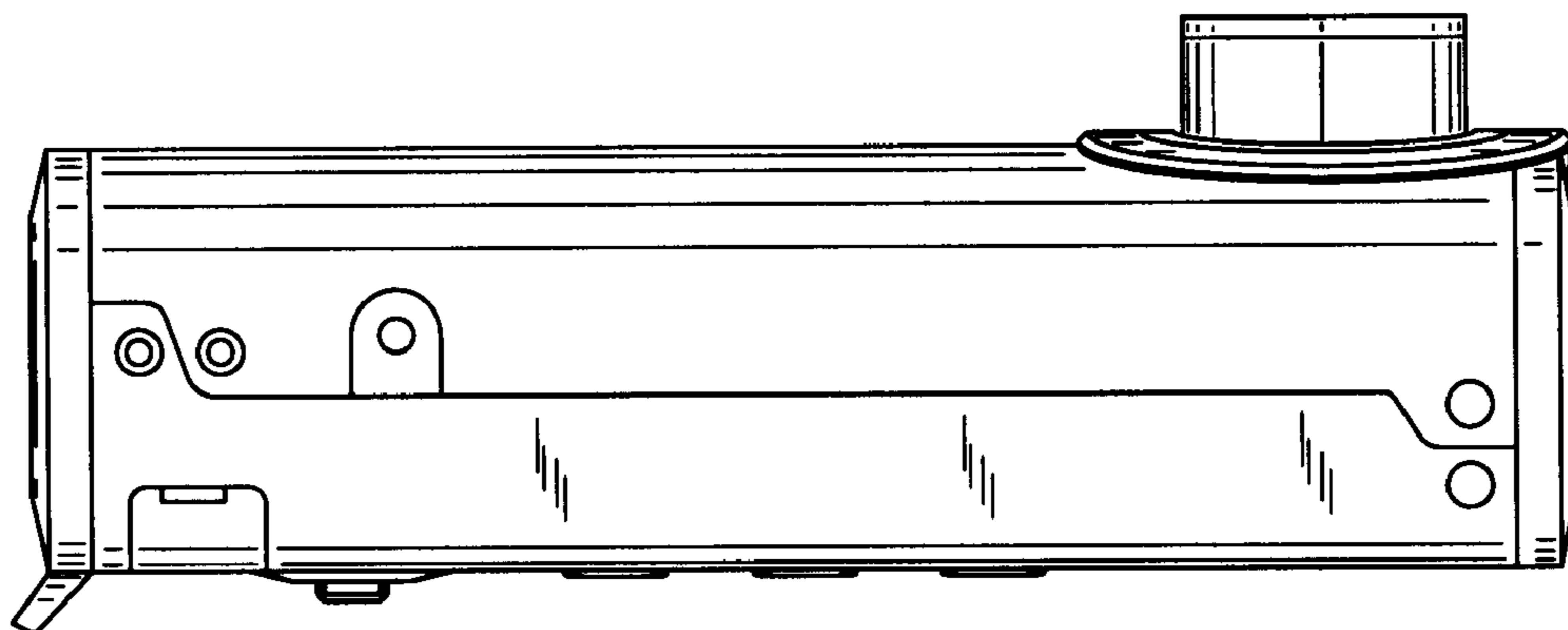


FIG. 7