



US00D516600S

(12) **United States Design Patent**
Tsuchiya

(10) **Patent No.:** **US D516,600 S**
(45) **Date of Patent:** **** Mar. 7, 2006**

(54) **VIDEO CAMERA**

(75) **Inventor:** **Tsutomu Tsuchiya, Tokyo (JP)**

(73) **Assignee:** **Sony Corporation, Tokyo (JP)**

(**) **Term:** **14 Years**

(21) **Appl. No.:** **29/216,211**

(22) **Filed:** **Oct. 29, 2004**

(51) **LOC (8) Cl. 16-01**

(52) **U.S. Cl. D16/202**

(58) **Field of Classification Search D16/200-206,**
D16/208, 218; 348/373-376; 358/906; 396/535-541
See application file for complete search history.

(56) **References Cited**

U.S. PATENT DOCUMENTS

5,499,052 A	*	3/1996	Nakanishi et al.	348/373
D429,742 S	*	8/2000	Fukushima	D16/202
D487,763 S	*	3/2004	Miyashita	D16/202
D491,967 S	*	6/2004	Kojima et al.	D16/202
D496,061 S		9/2004	Hayashi	D16/208

D500,512 S	*	1/2005	Hayashi	D16/202
D502,478 S	*	3/2005	Inuma et al.	D16/202
D506,487 S	*	6/2005	Inuma et al.	D16/202
D507,290 S	*	7/2005	Nishiwaki	D16/202

* cited by examiner

Primary Examiner—Adir Aronovich

(74) *Attorney, Agent, or Firm*—Rader, Fishman & Grauer PLLC

(57) **CLAIM**

The ornamental design for a video camera, as shown.

DESCRIPTION

FIG. 1 is a perspective view of a video camera showing my new design;

FIG. 2 is a front elevational view thereof;

FIG. 3 is a rear elevational view thereof;

FIG. 4 is a left side elevational view thereof;

FIG. 5 is a right side elevational view thereof;

FIG. 6 is a top plan view thereof; and,

FIG. 7 is a bottom plan view thereof.

1 Claim, 5 Drawing Sheets

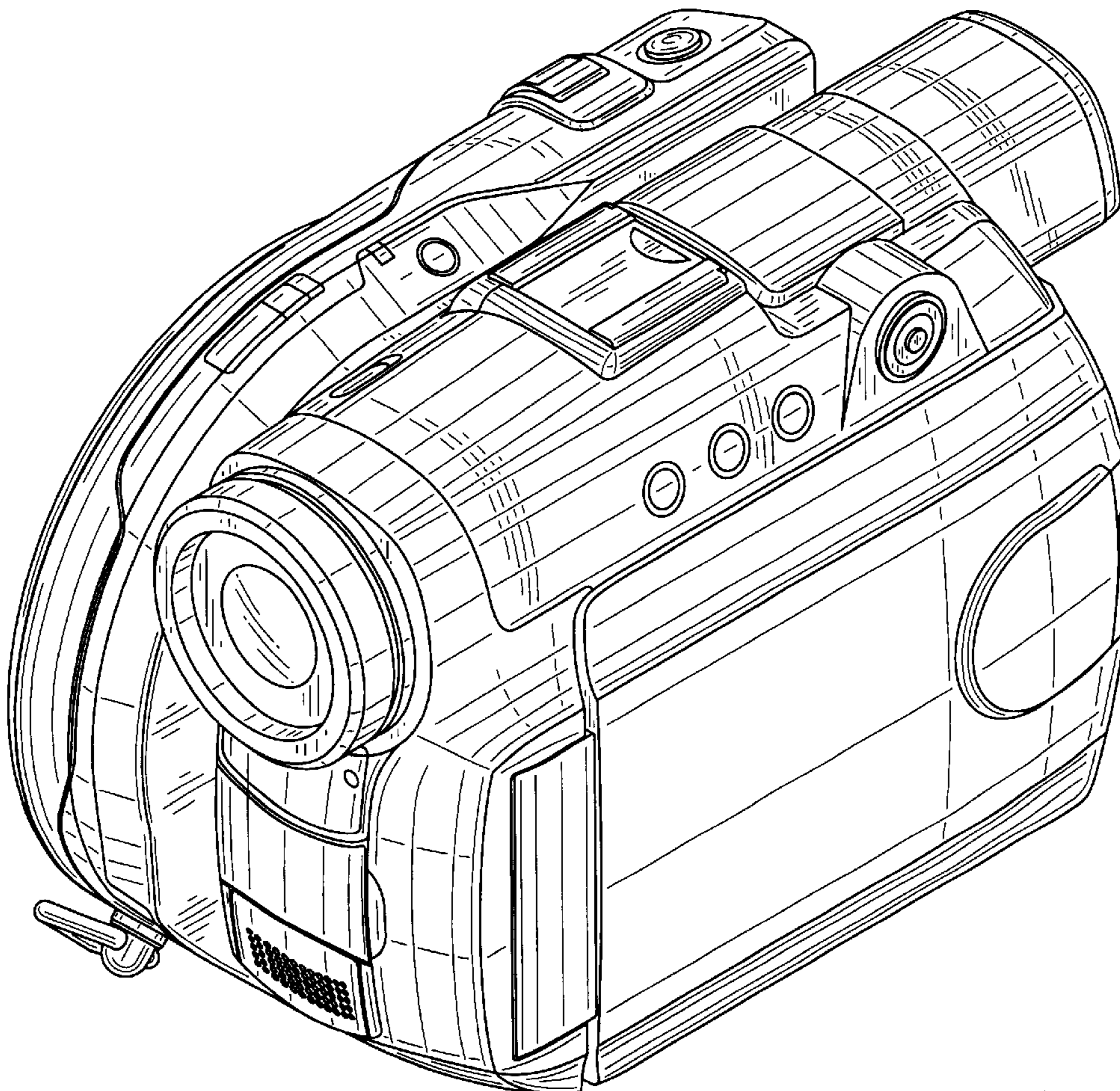


Fig.1

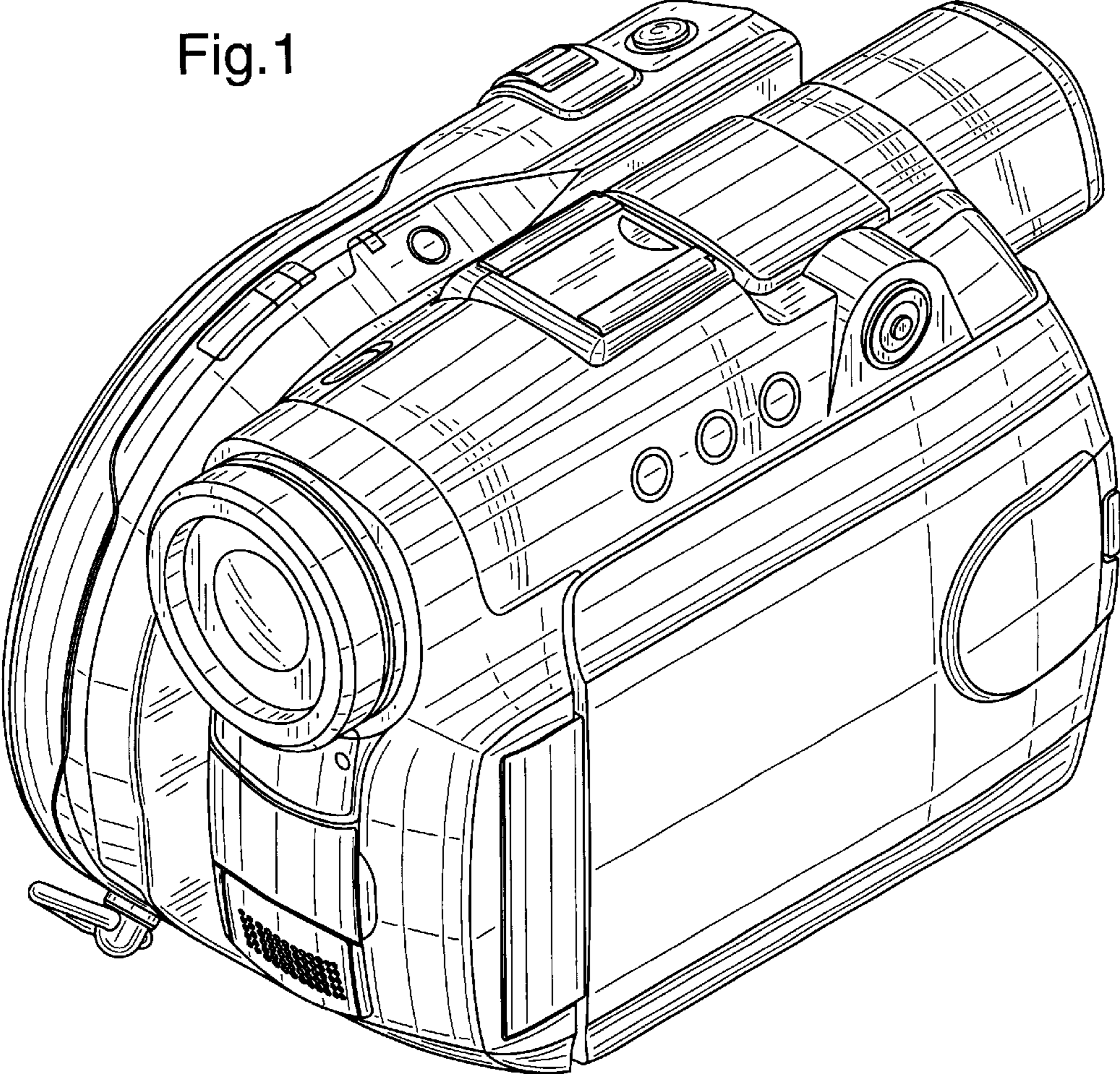


Fig.2

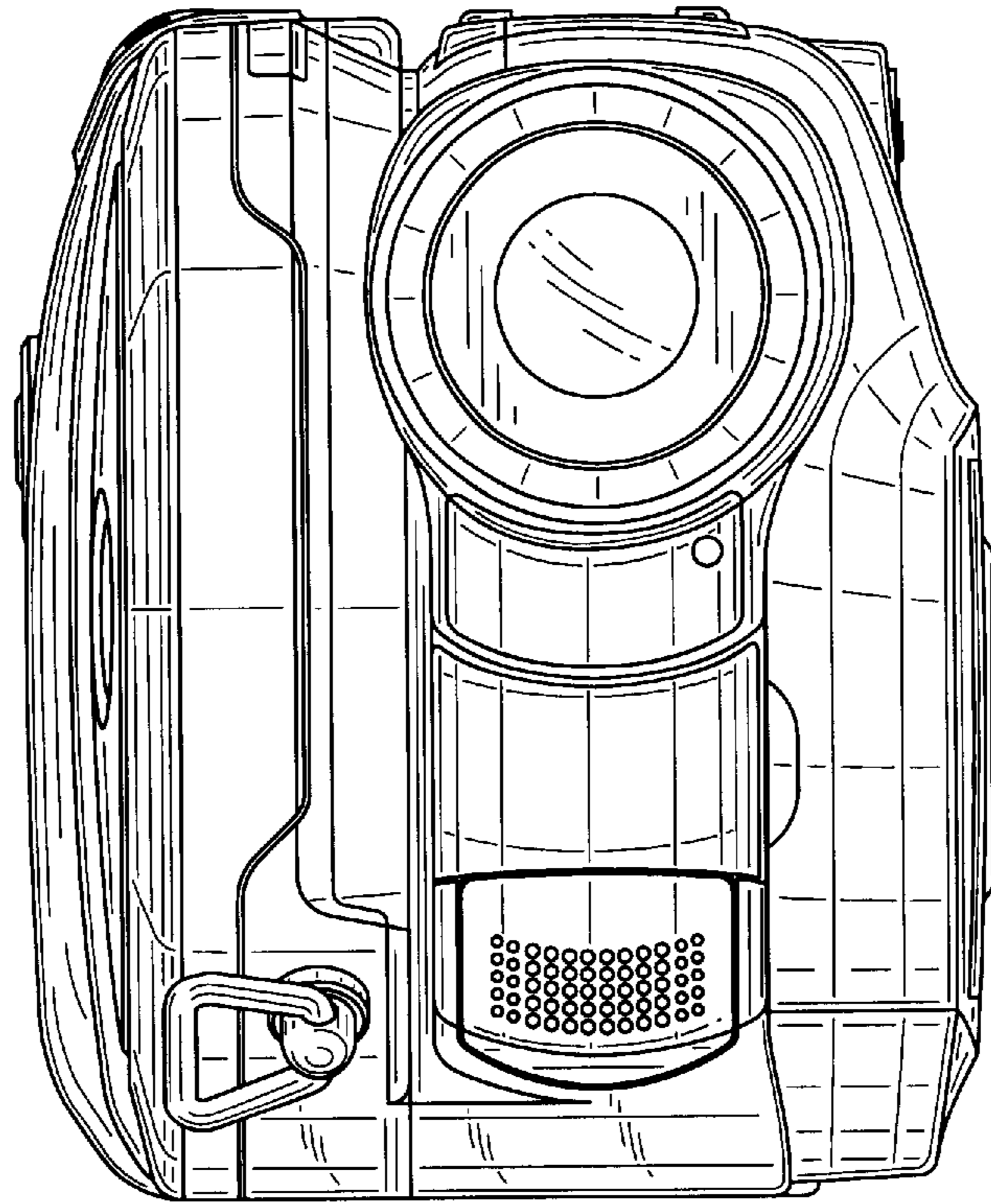


Fig.3

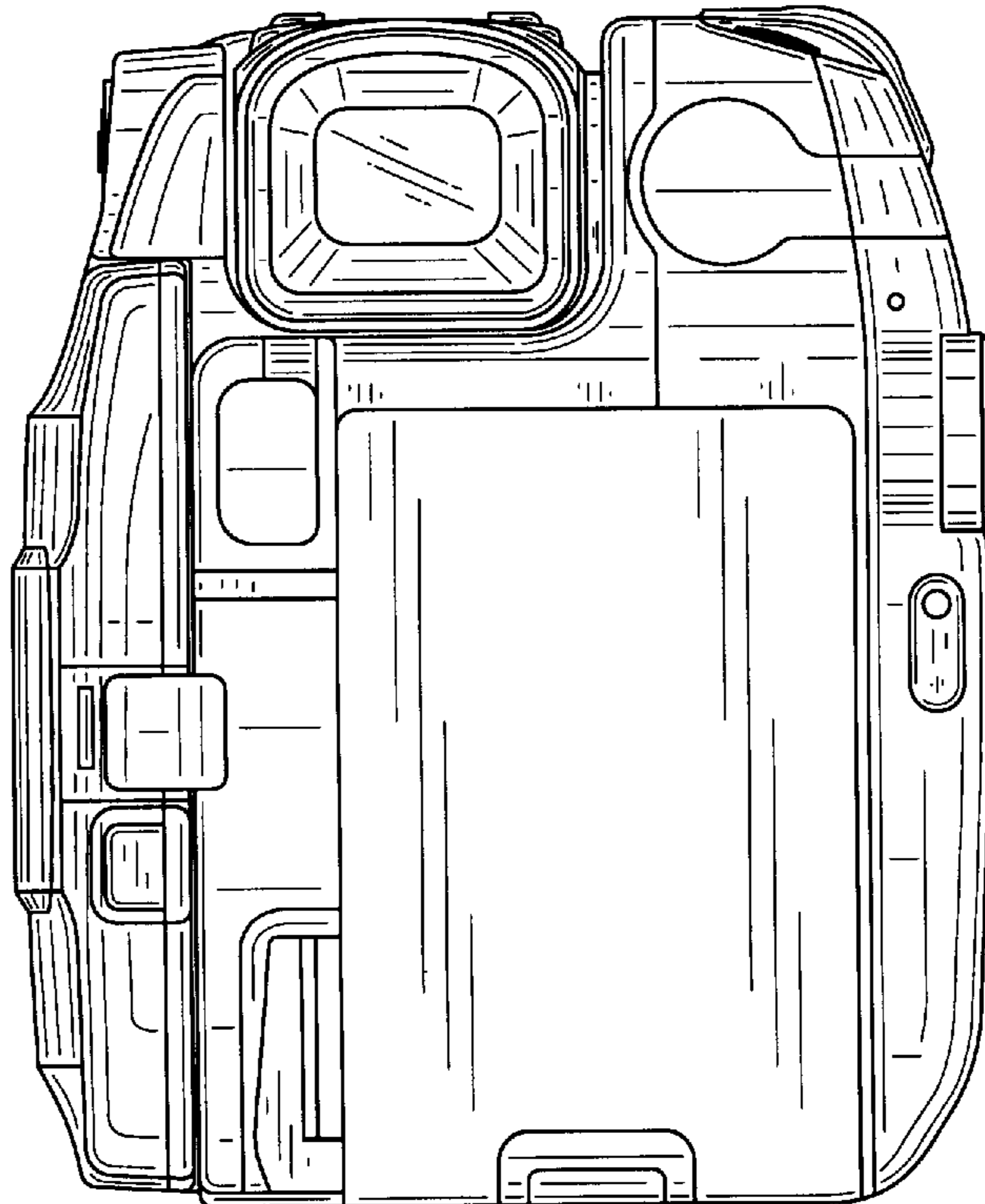


Fig.4

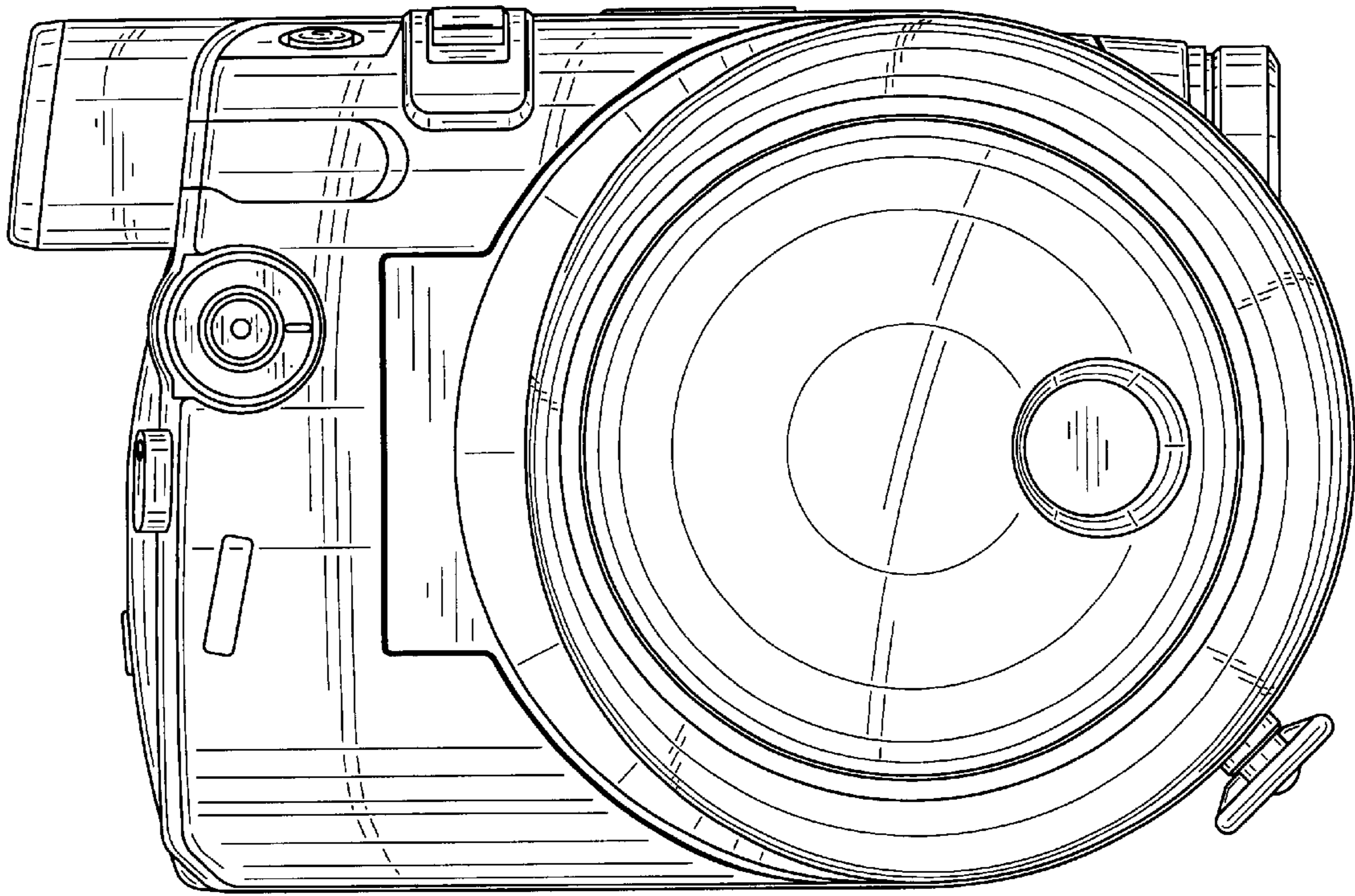


Fig.5

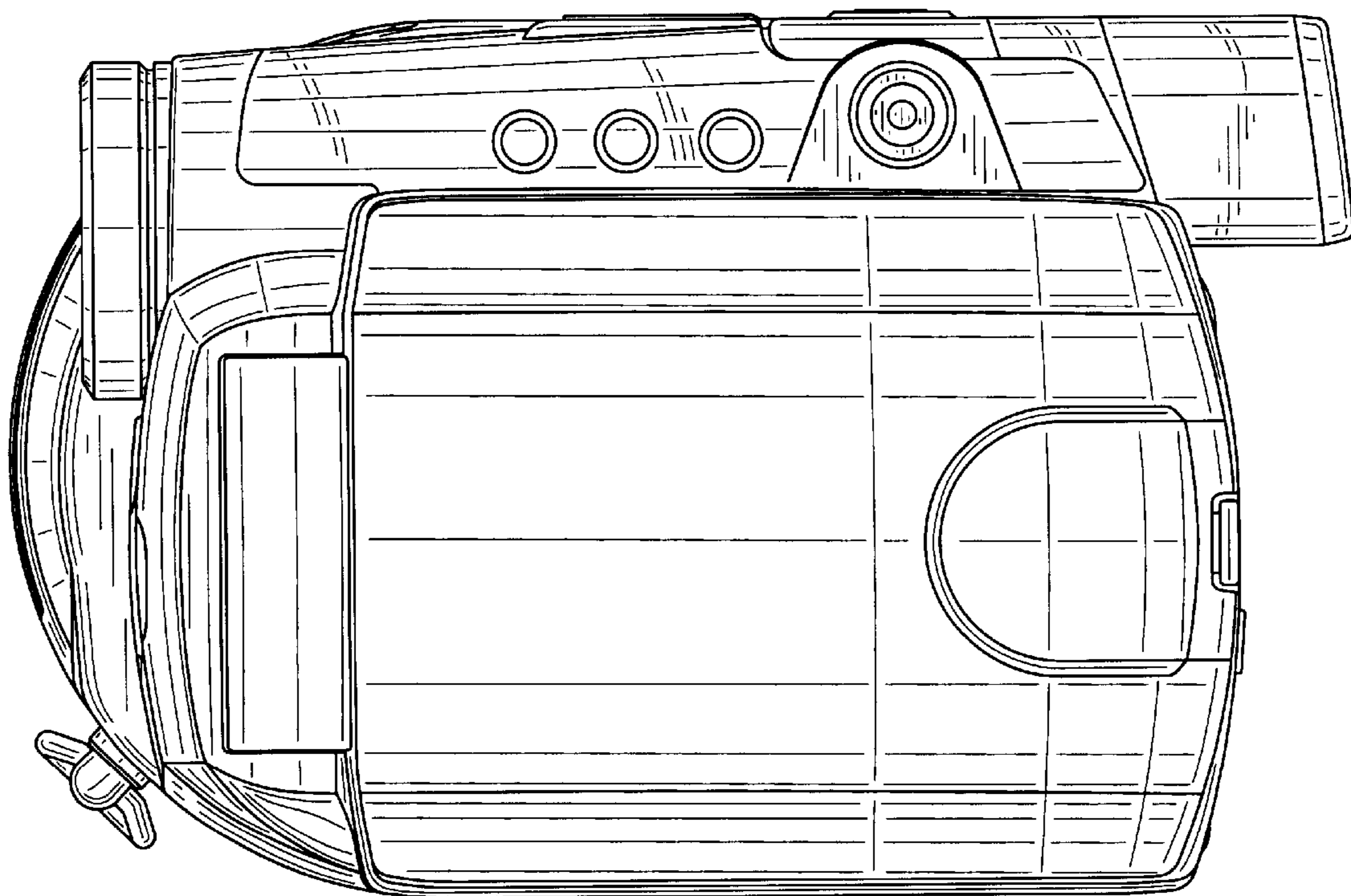


Fig.6

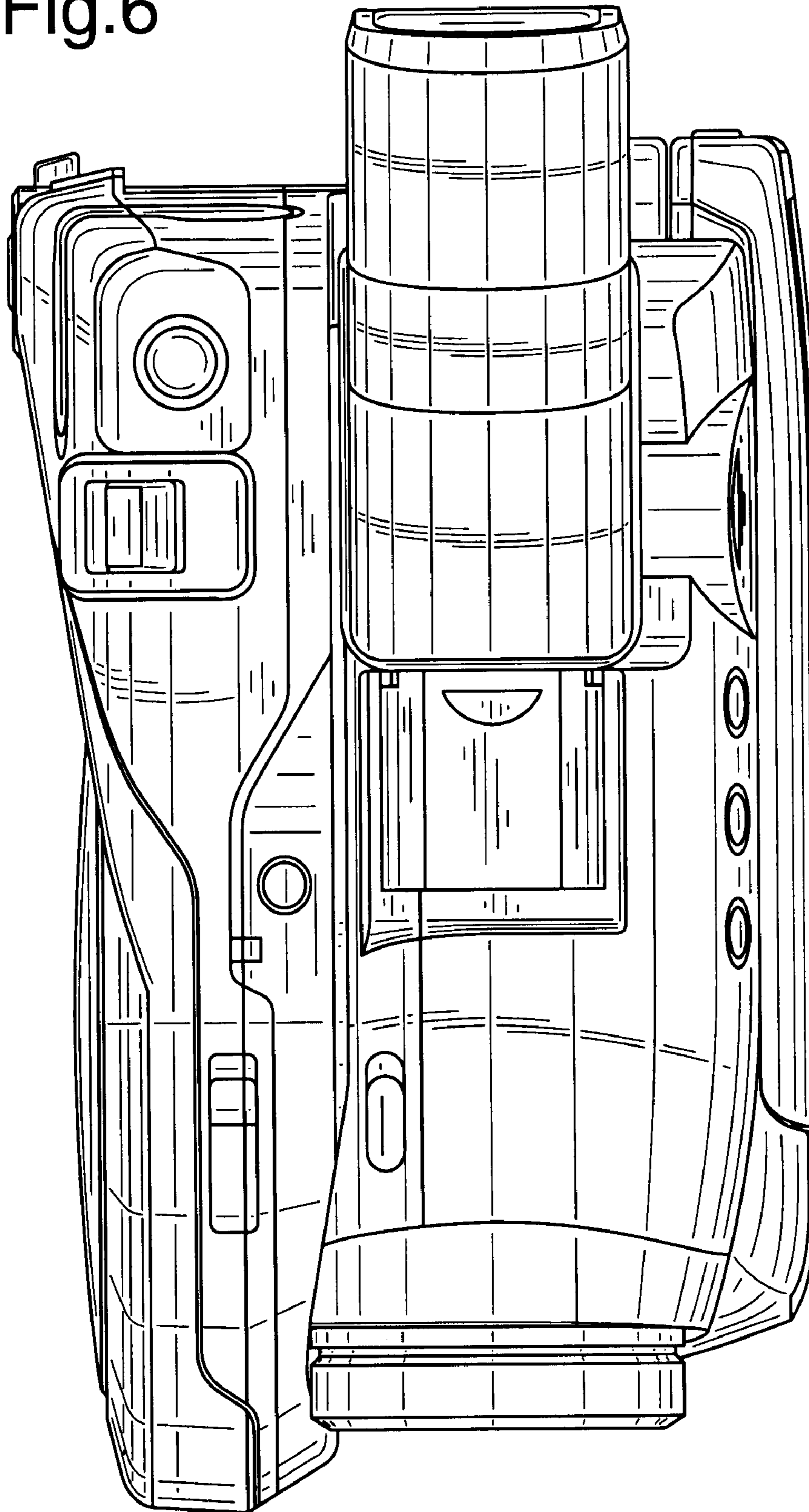


Fig.7

