



US00D516599S

(12) **United States Design Patent**
Nakamura

(10) **Patent No.:** **US D516,599 S**
(45) **Date of Patent:** **** Mar. 7, 2006**

(54) **DIGITAL STILL CAMERA**

(75) **Inventor:** **Makoto Nakamura, Kyoto (JP)**

(73) **Assignee:** **Matsushita Electric Industrial Co., Ltd., Osaka (JP)**

(**) **Term:** **14 Years**

(21) **Appl. No.:** **29/215,108**

(22) **Filed:** **Oct. 12, 2004**

(30) **Foreign Application Priority Data**

Apr. 26, 2004 (JP) 2004-012582

(51) **LOC (8) Cl. 16-01**

(52) **U.S. Cl. D16/202; D16/218**

(58) **Field of Classification Search** D16/200–206,
D16/208, 218; 348/373–376; 358/909.1;
396/535–541

See application file for complete search history.

(56) **References Cited**

U.S. PATENT DOCUMENTS

D385,569 S	10/1997	Takimura
D392,659 S	3/1998	Takano
D407,098 S	3/1999	Goto et al.
D418,851 S	1/2000	Goto et al.
D423,031 S	4/2000	Shinohara et al.
D424,084 S	5/2000	Senda
D424,085 S	5/2000	Naito
D431,583 S	10/2000	Matsuda
D432,150 S	10/2000	Senda
D441,001 S	4/2001	Naito
D445,440 S	7/2001	Chen
D451,115 S	11/2001	Sumita
D457,903 S	5/2002	Nasu
6,434,337 B1	8/2002	Misawa
D462,978 S	9/2002	Nicklos et al.
D469,456 S	1/2003	Nakamura et al.
D470,162 S	2/2003	Nakamura et al.
D473,576 S	4/2003	Watanabe
D473,577 S	4/2003	Nakamura

D473,886 S	4/2003	Katayama	
D475,383 S	* 6/2003	Omino	D16/202
D484,157 S	12/2003	Watanabe et al.	
D495,352 S	* 8/2004	Sakaguchi et al.	D16/202
D496,380 S	* 9/2004	Isomoto	D16/202
D502,195 S	* 2/2005	Shimobayashi	D16/202
D502,479 S	* 3/2005	Nishizawa et al.	D16/218
D502,480 S	* 3/2005	Nagayama	D16/202
D503,417 S	* 3/2005	Kawase	D16/200

FOREIGN PATENT DOCUMENTS

JP	D1113587	7/2001
JP	D1144263	6/2002
JP	D1163662	1/2003
JP	D1188405	10/2003
JP	D1209912	6/2004

OTHER PUBLICATIONS

Panasonic Model “LUMIX DMC-FX5” Catalog issued before Feb. 21, 2004 by Matsushita Electric Industrial Co., Ltd.

* cited by examiner

Primary Examiner—Adir Aronovich

(74) *Attorney, Agent, or Firm*—Brinks Hofer Gilson & Lione

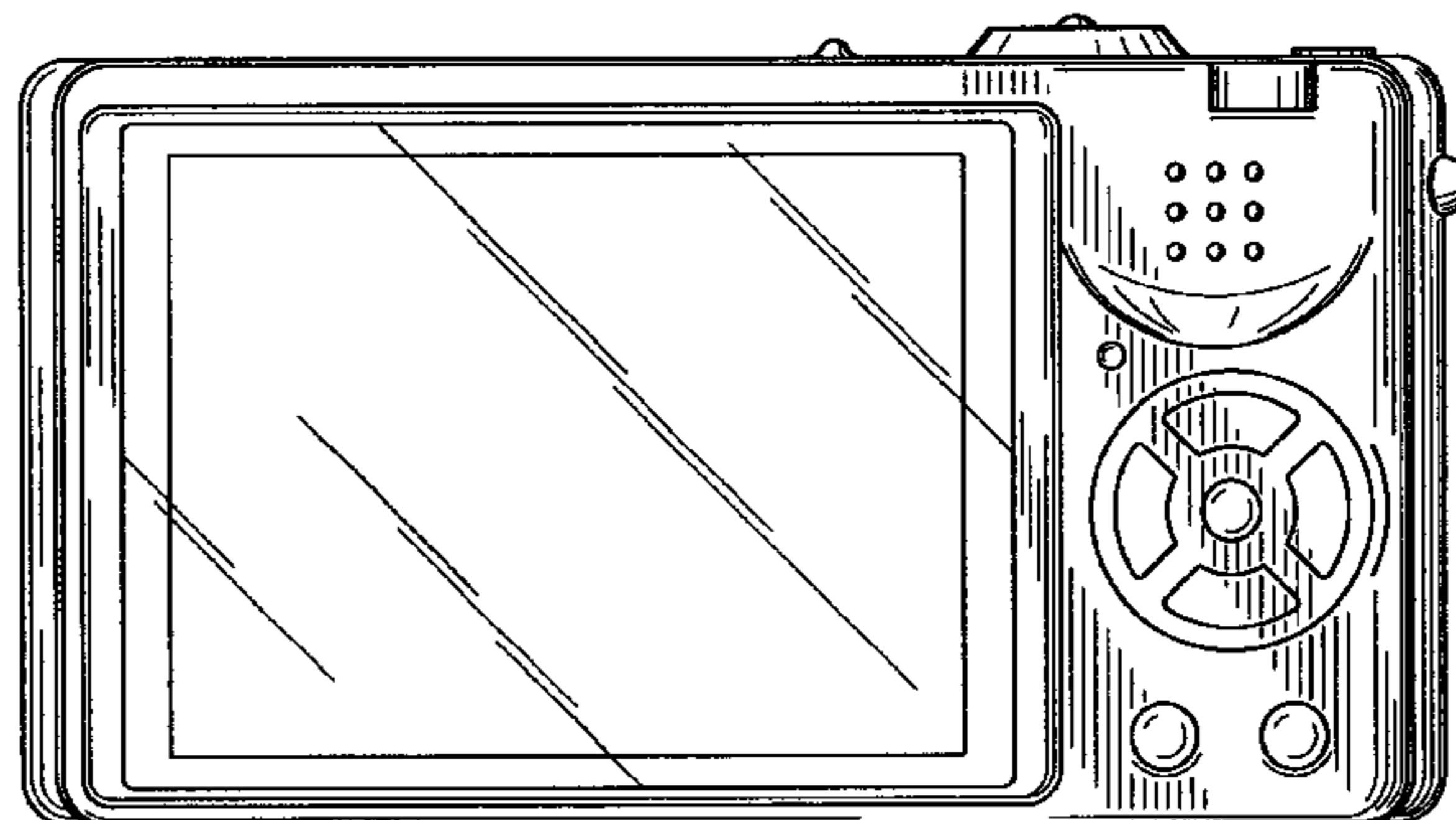
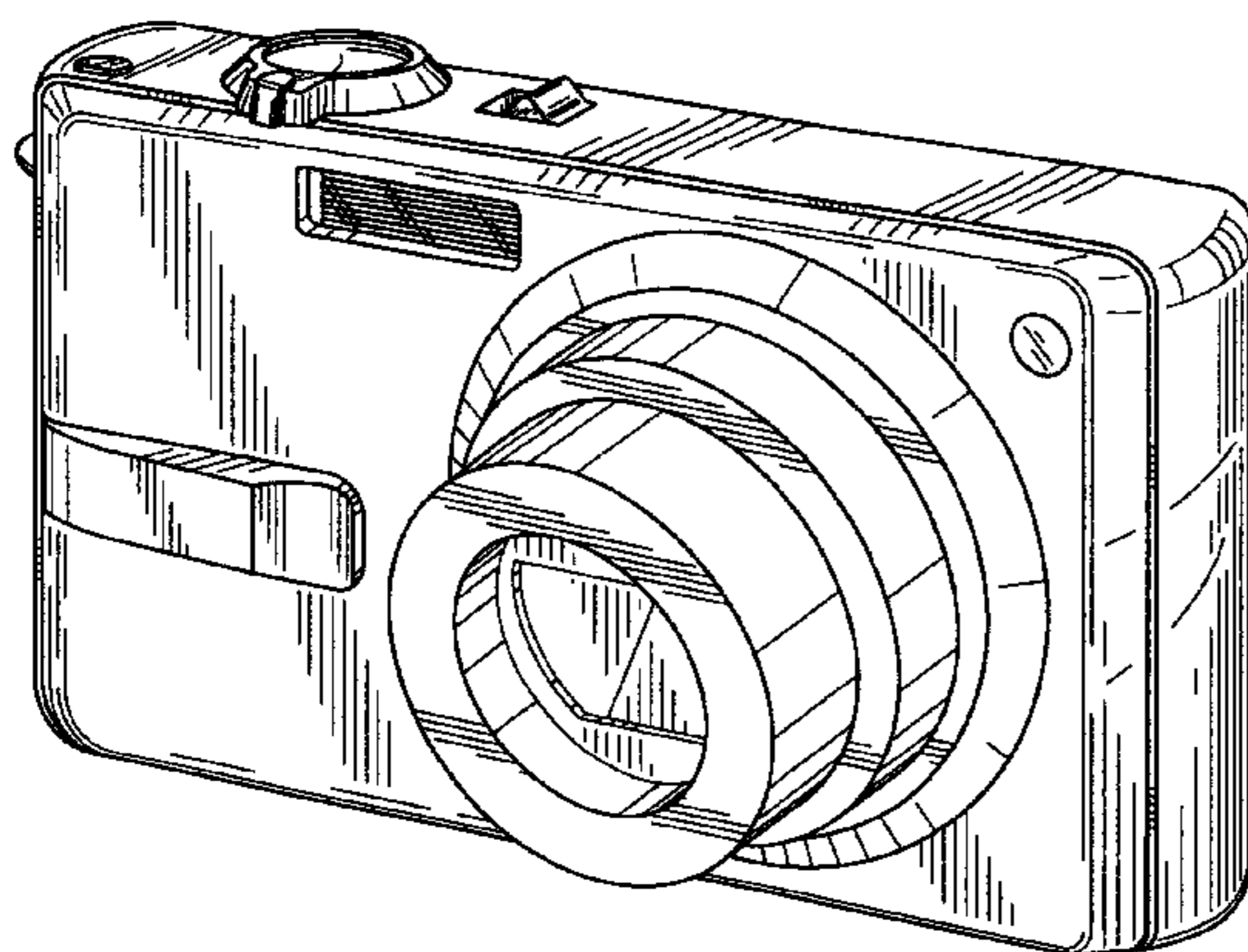
(57) **CLAIM**

I claim the ornamental design for a digital still camera, as shown and described.

DESCRIPTION

FIG. 1 is a top perspective view of a digital still camera of the present invention;
FIG. 2 is a front view thereof;
FIG. 3 is a rear view thereof;
FIG. 4 is a first side view thereof;
FIG. 5 is a second side view thereof;
FIG. 6 is a top view thereof; and,
FIG. 7 is a bottom view thereof.

1 Claim, 7 Drawing Sheets



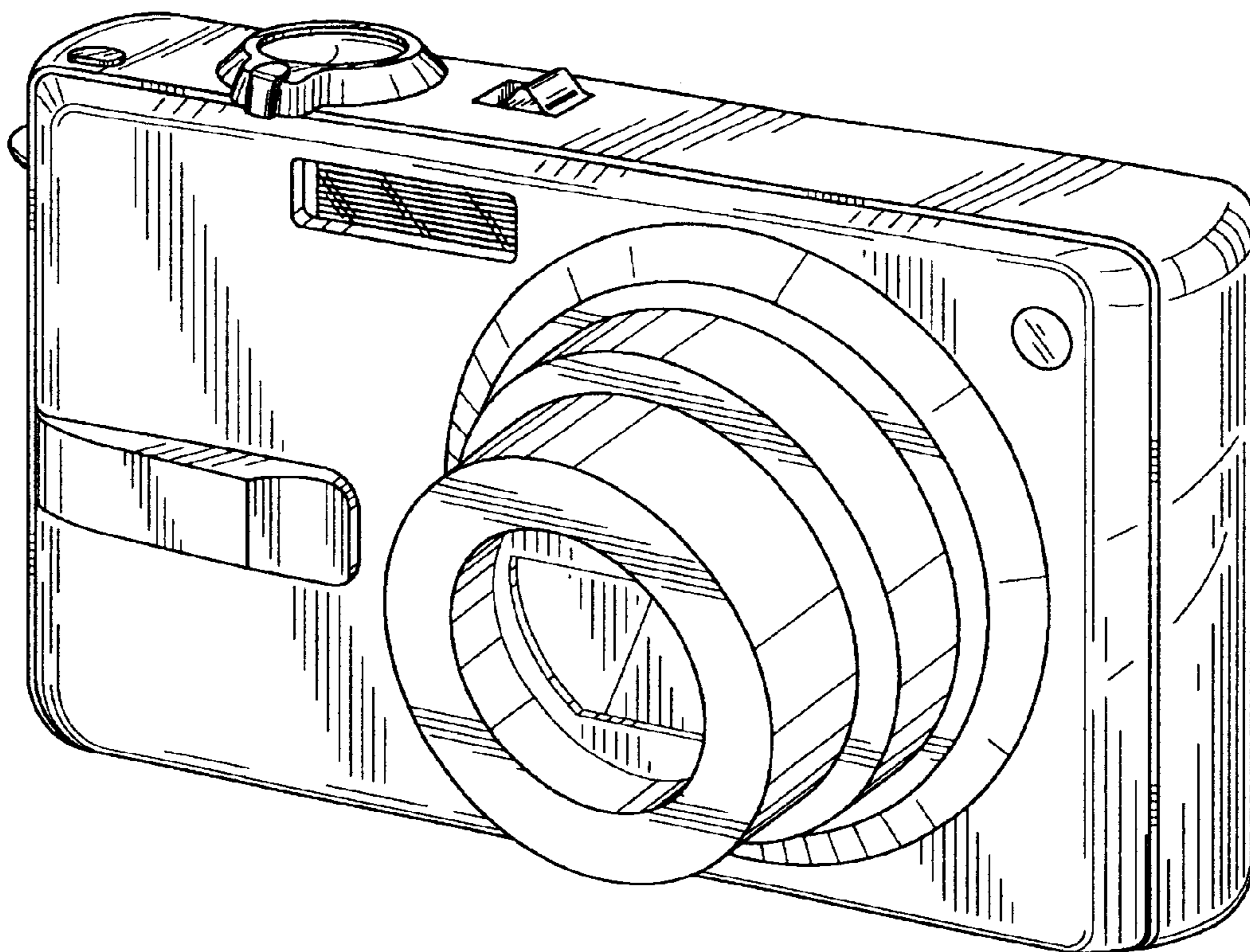


FIG. 1

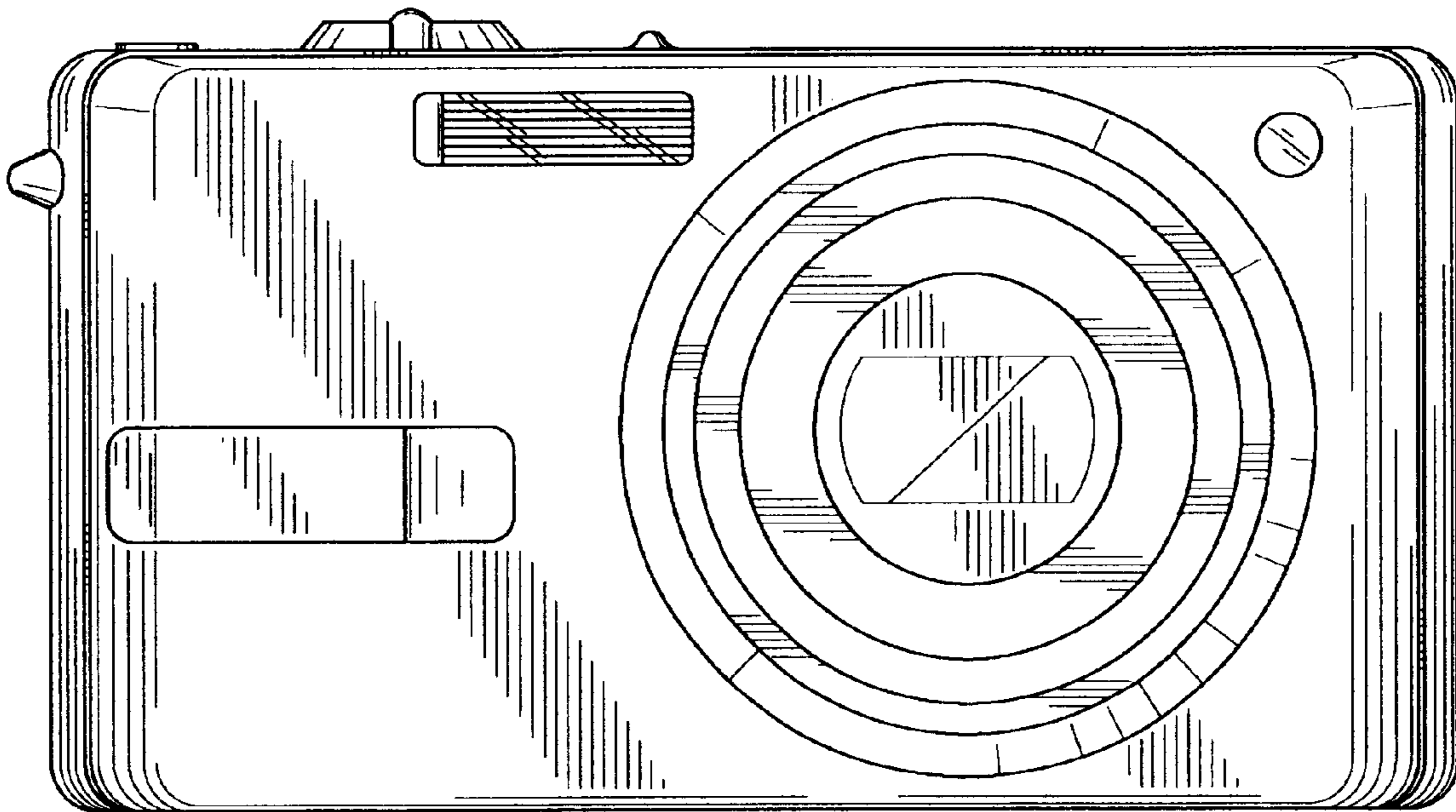


FIG. 2

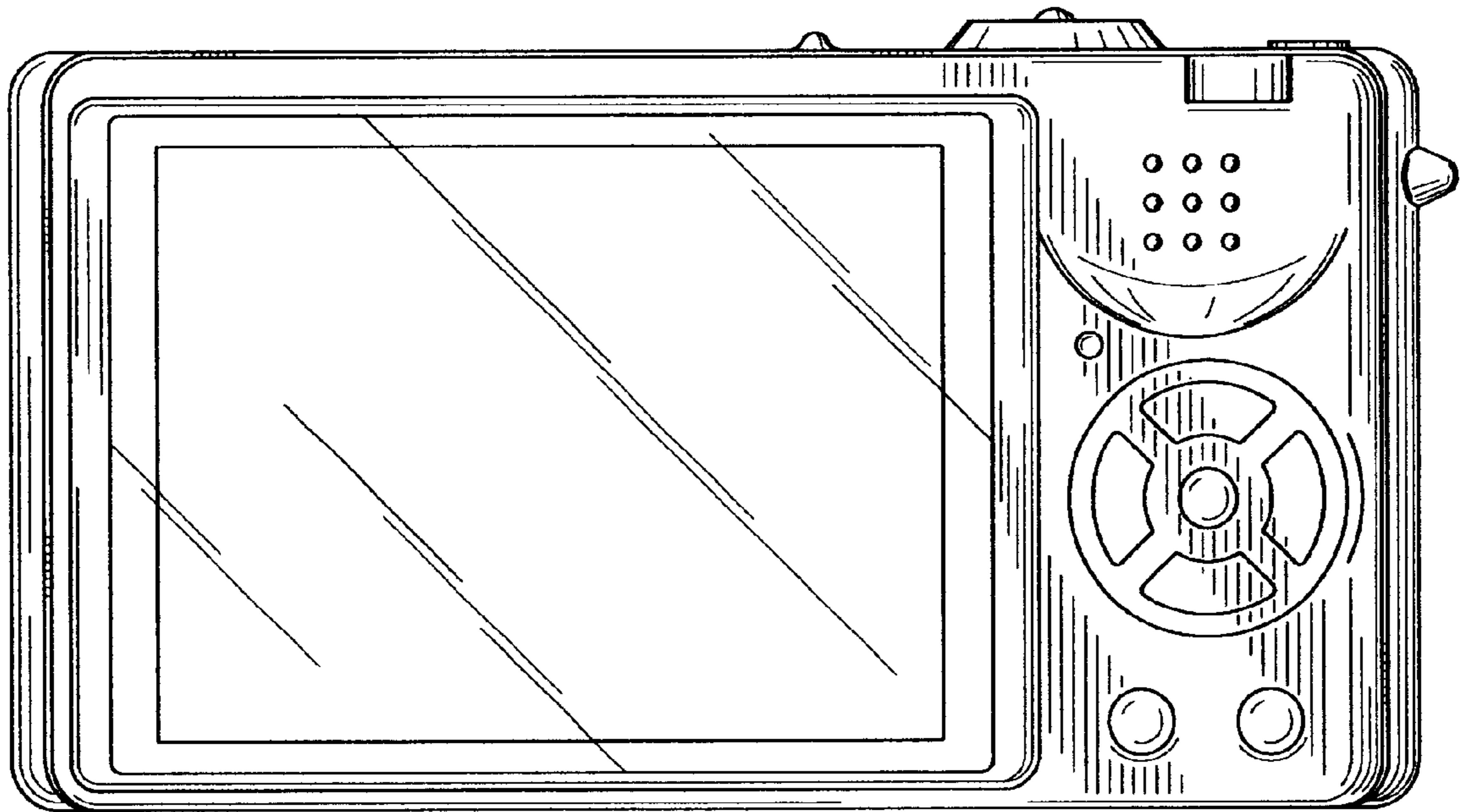


FIG. 3

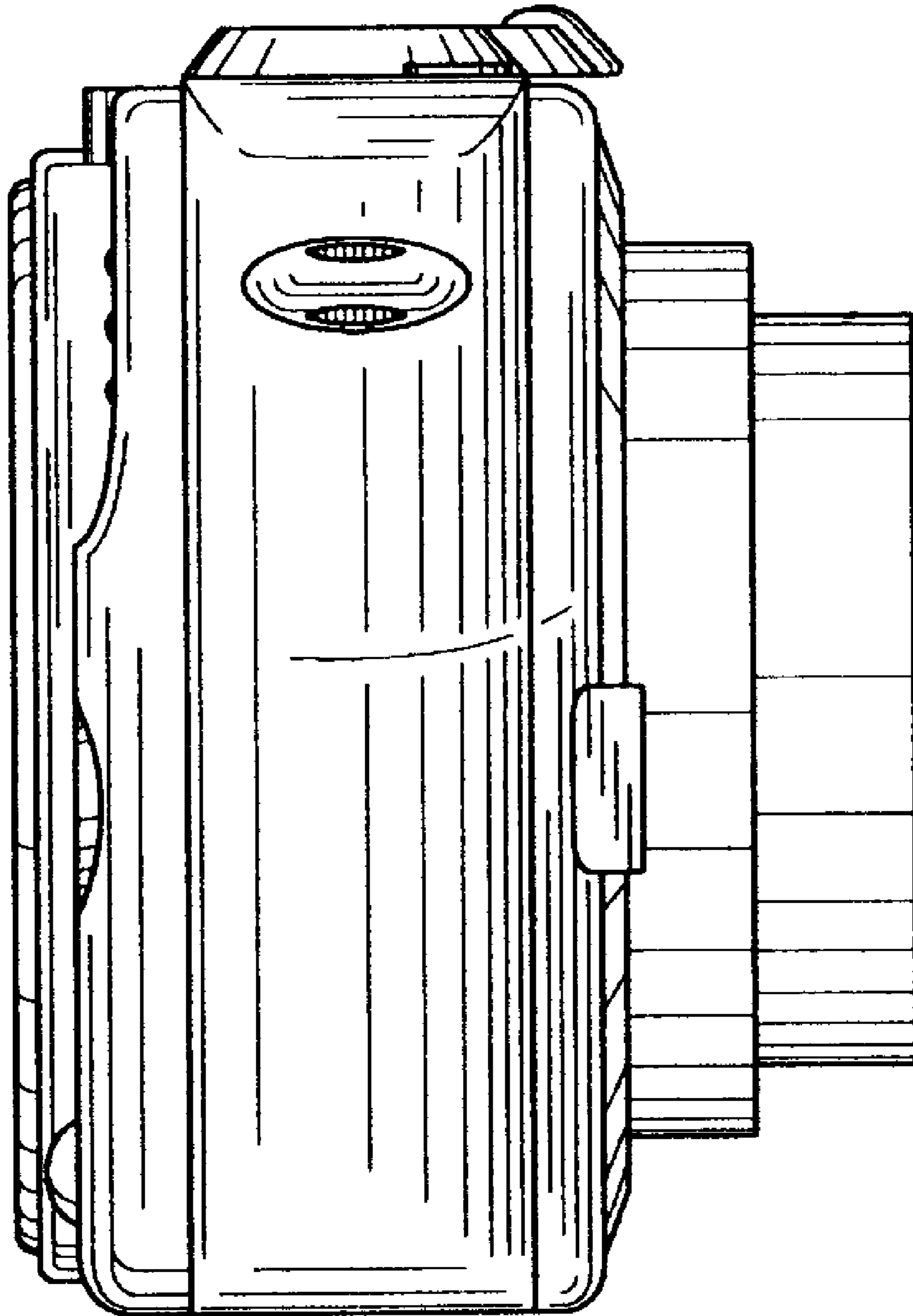


FIG. 4

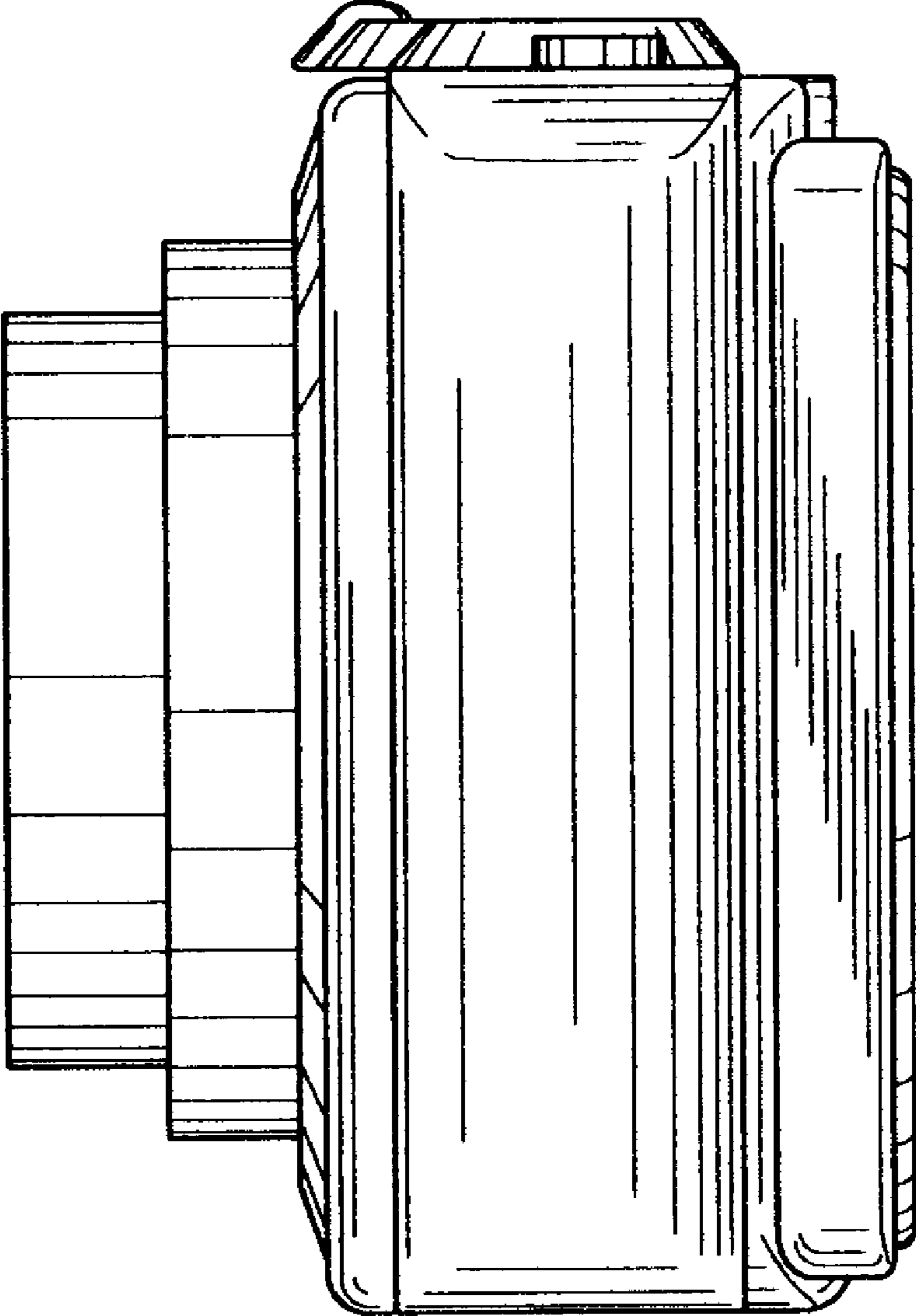


FIG. 5

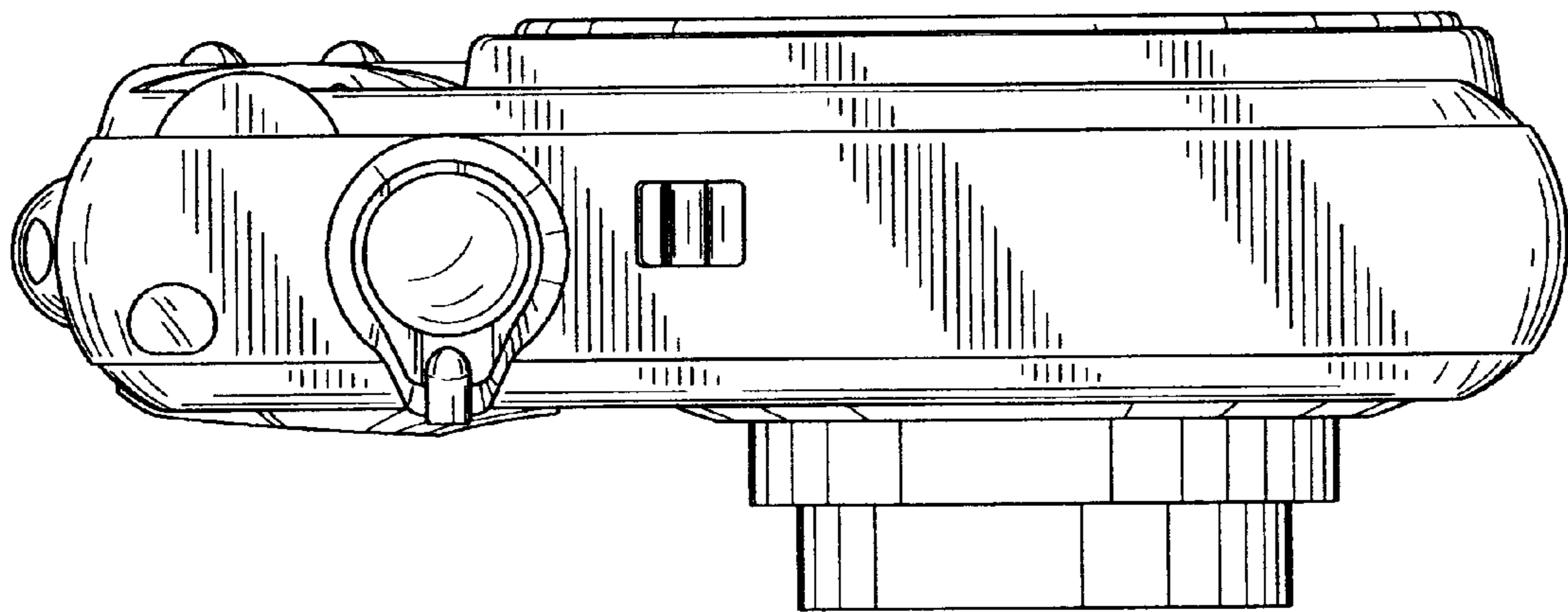


FIG. 6

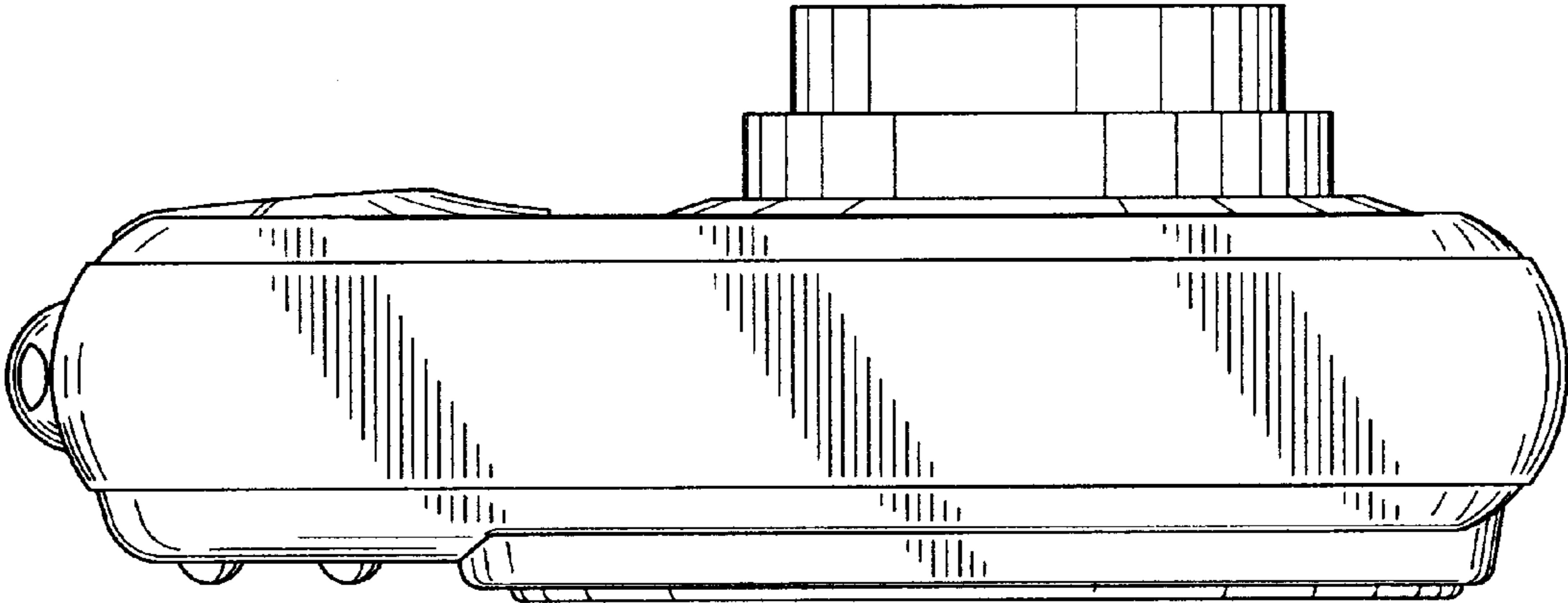


FIG. 7