

US00D516597S

(12) **United States Design Patent**
Tsuchiya

(10) **Patent No.:** **US D516,597 S**
(45) **Date of Patent:** **** Mar. 7, 2006**

(54) **VIDEO CAMERA**

(75) **Inventor:** **Tsutomu Tsuchiya, Tokyo (JP)**

(73) **Assignee:** **Sony Corporation, Tokyo (JP)**

(**) **Term:** **14 Years**

(21) **Appl. No.:** **29/210,733**

(22) **Filed:** **Aug. 6, 2004**

(51) **LOC (8) Cl. 16-01**

(52) **U.S. Cl. D16/202**

(58) **Field of Classification Search D16/200-206,
D16/208, 218; 348/373-376; 358/906; 396/535-541**
See application file for complete search history.

(56) **References Cited**

U.S. PATENT DOCUMENTS

D356,589 S	*	3/1995	Sumita	D16/202
5,499,052 A	*	3/1996	Nakanishi et al.	348/373
D401,256 S		11/1998	Harata	
D404,047 S		1/1999	Ishii	
D410,662 S		6/1999	Harata	
D429,742 S	*	8/2000	Fukushima	D16/202
D491,967 S	*	6/2004	Kojima et al.	D16/202
D505,438 S	*	5/2005	Kojima et al.	D16/202

FOREIGN PATENT DOCUMENTS

JP	D1181594 S	8/2003
JP	D1181595 S	8/2003

OTHER PUBLICATIONS

Catalog "New Products 2004 Spring, DCR-DVD NEW 1/2"
1 sheet, Sony (Jun. 2004).

Web page "DCR-100" 1 sheet, Sony (Jun. 2004).

* cited by examiner

Primary Examiner—Adir Aronovich

(74) *Attorney, Agent, or Firm*—Rader, Fishman & Grauer
PLLC

(57) **CLAIM**

The ornamental design for a video camera, as shown.

DESCRIPTION

FIG. 1 is a perspective view of a video camera showing my
new design;

FIG. 2 is a front elevational view thereof;

FIG. 3 is a rear elevational view thereof;

FIG. 4 is a left side elevational view thereof;

FIG. 5 is a right side elevational view thereof;

FIG. 6 is a top plan view thereof; and,

FIG. 7 is a bottom plan view thereof.

1 Claim, 4 Drawing Sheets

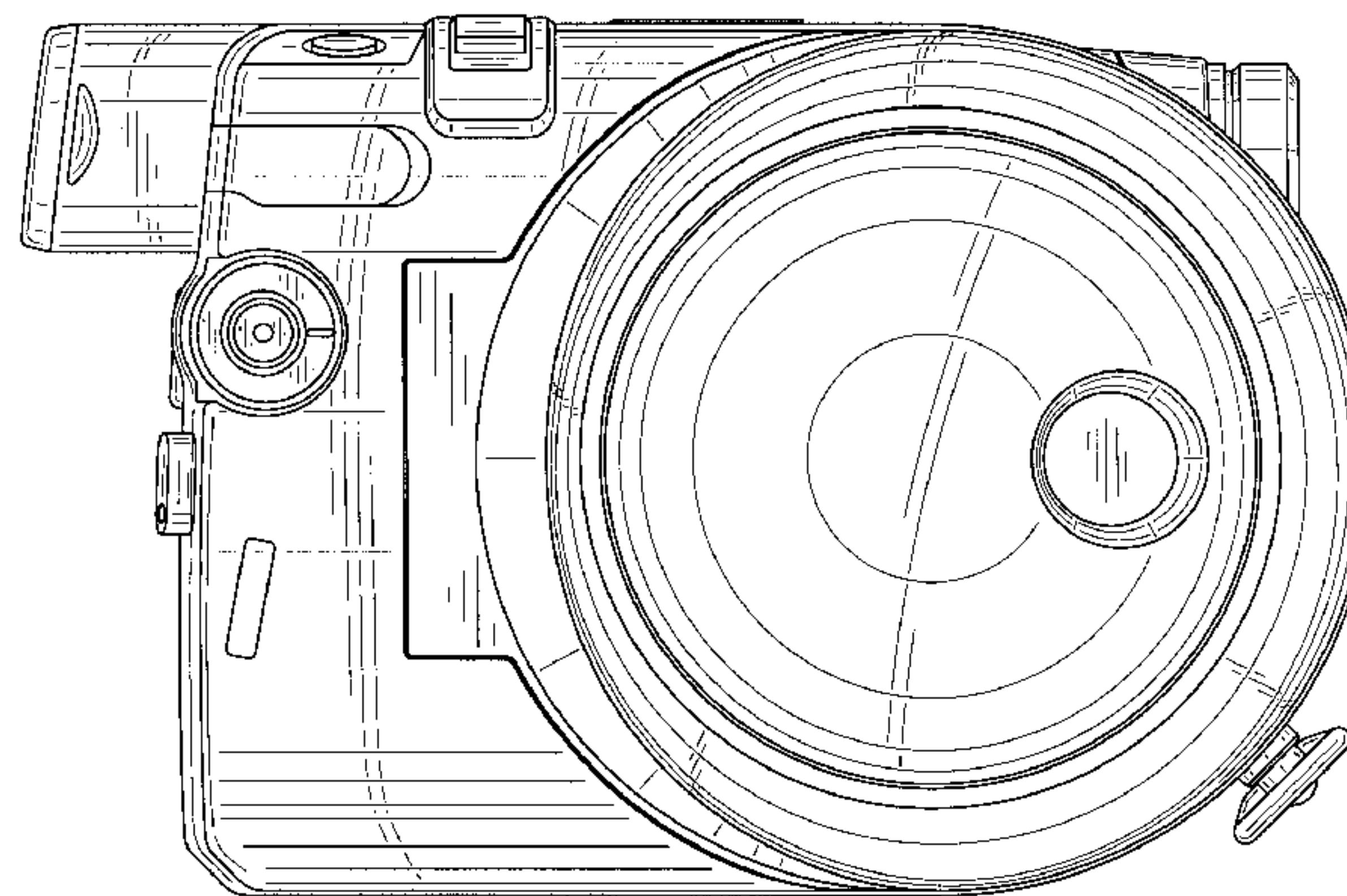
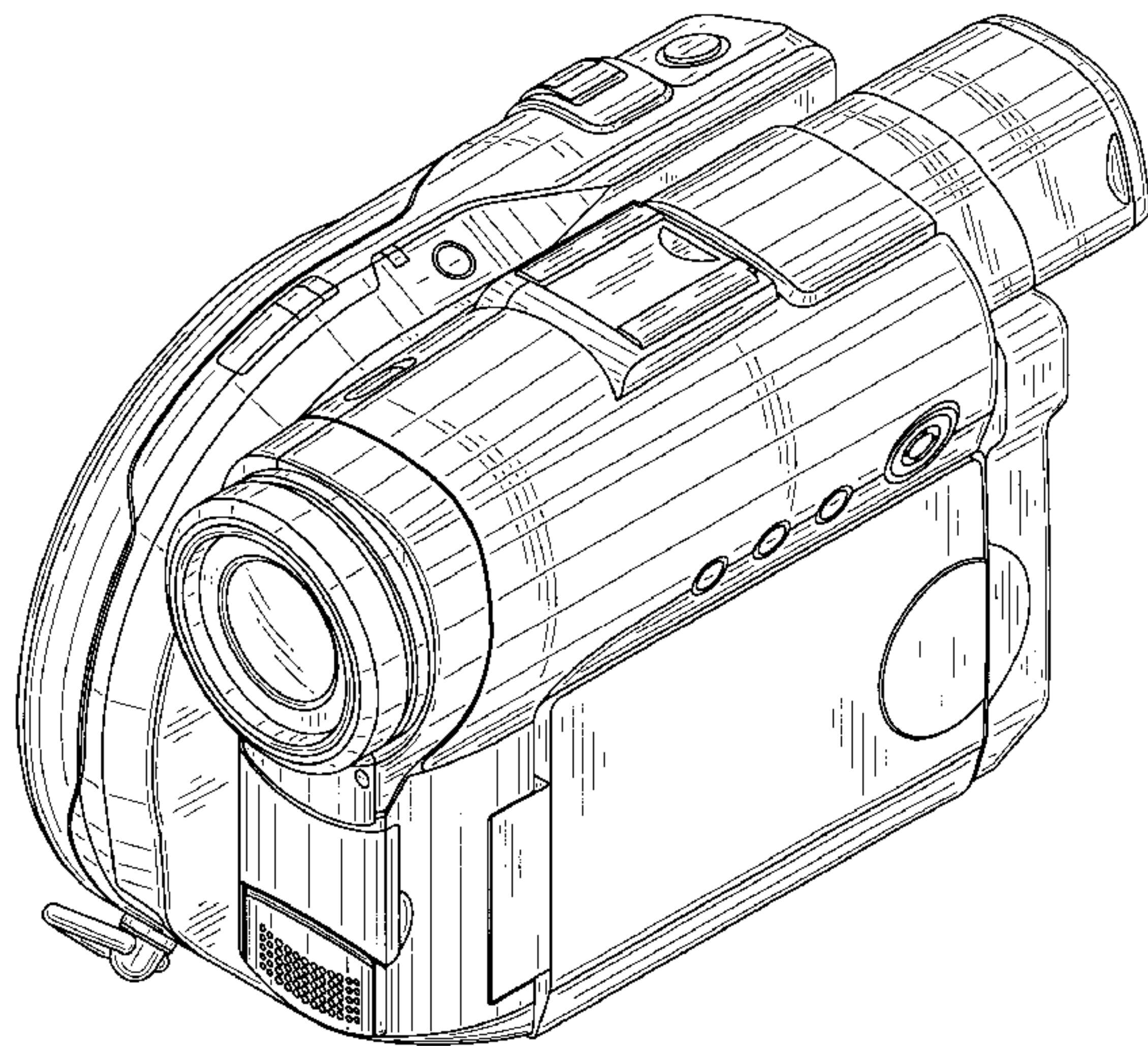


Fig.1

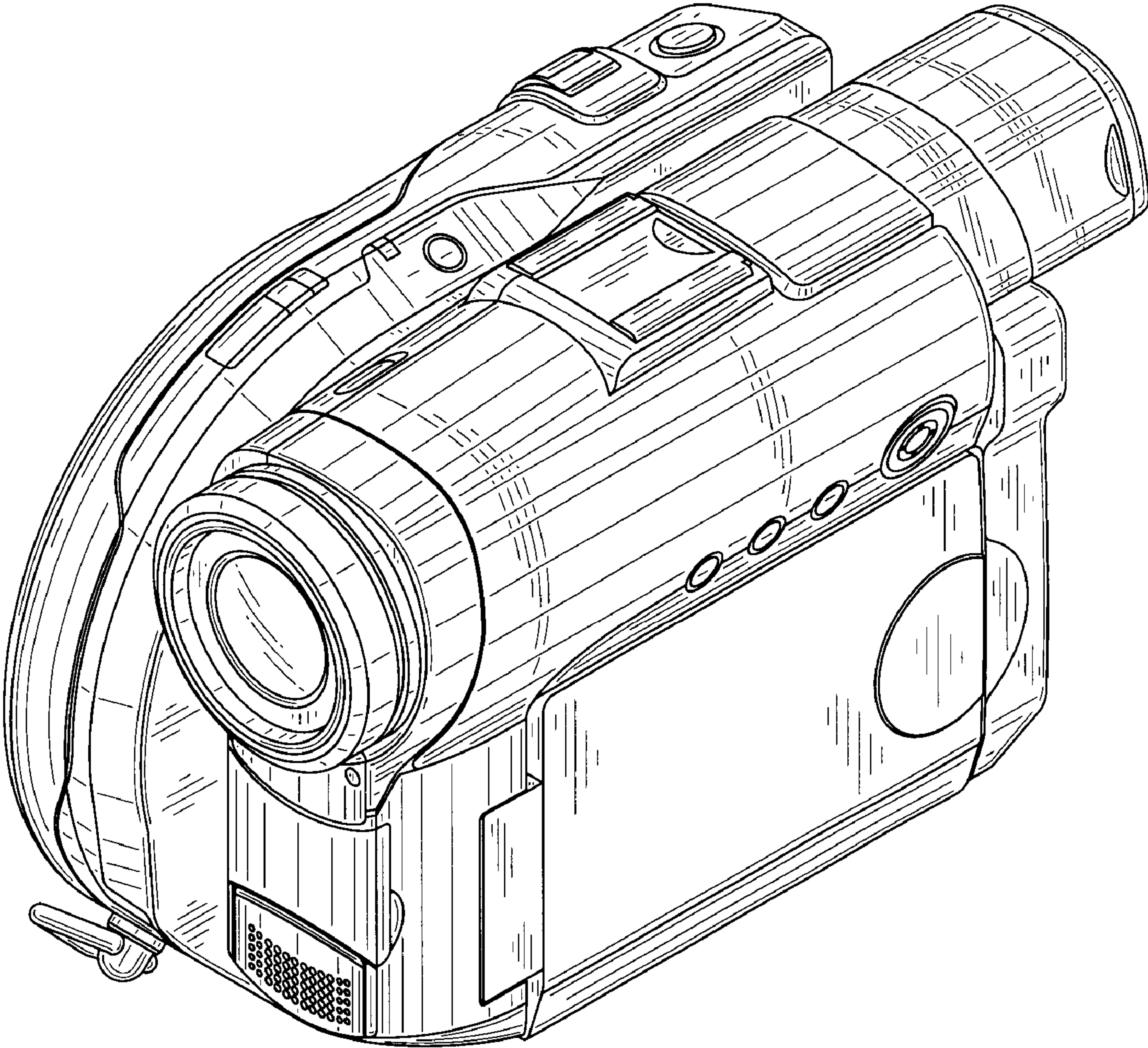


Fig.2

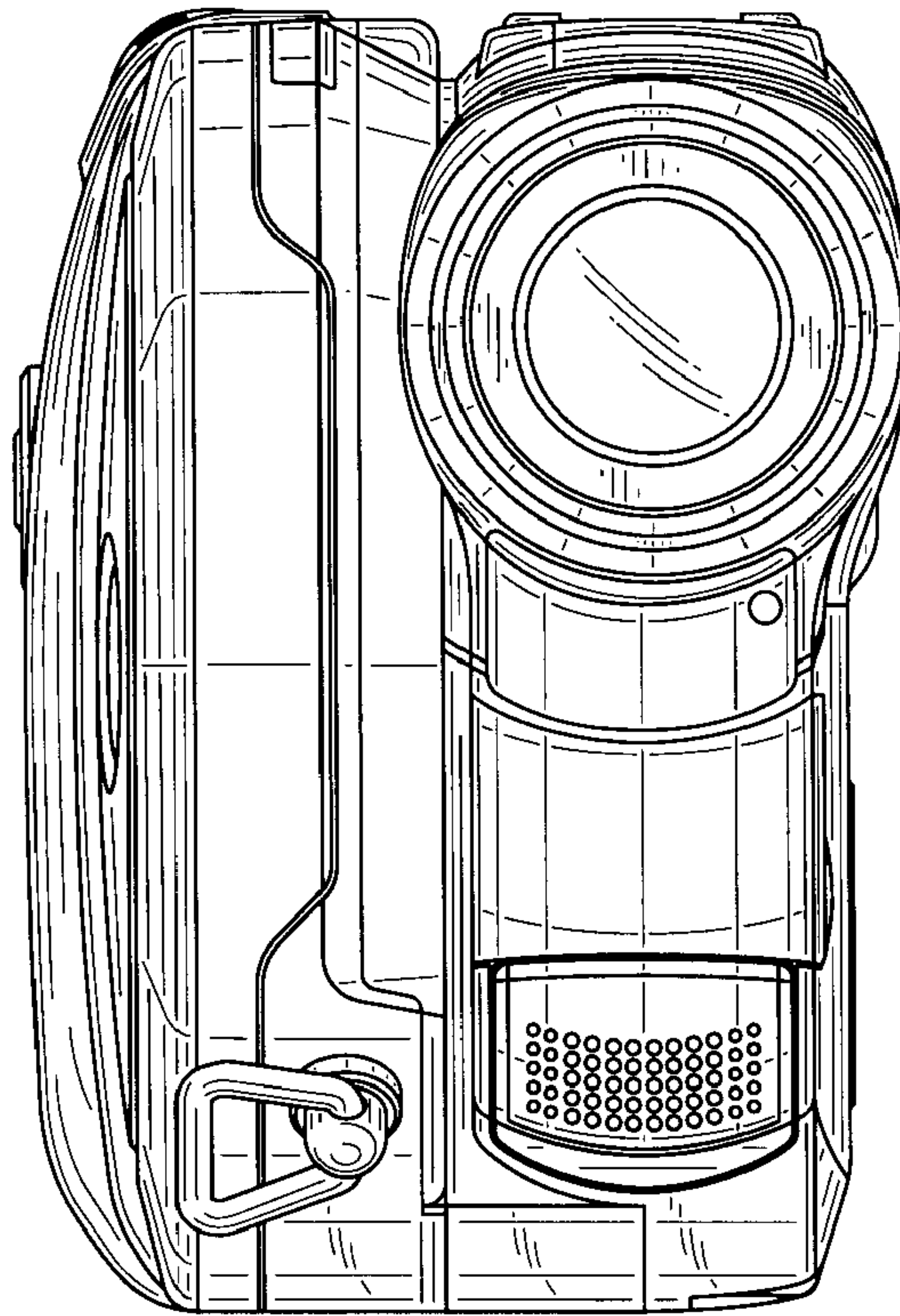


Fig.3

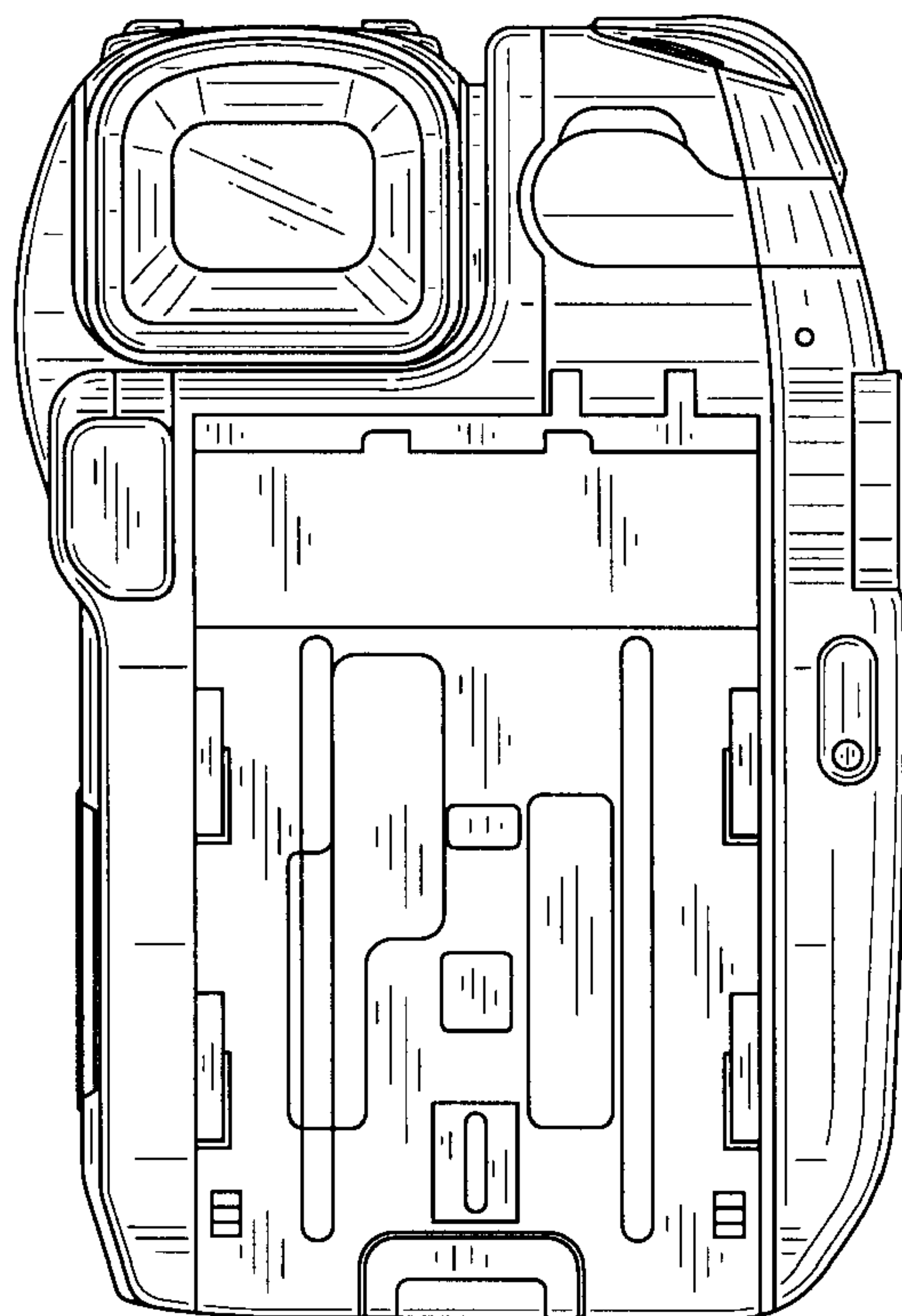


Fig.4

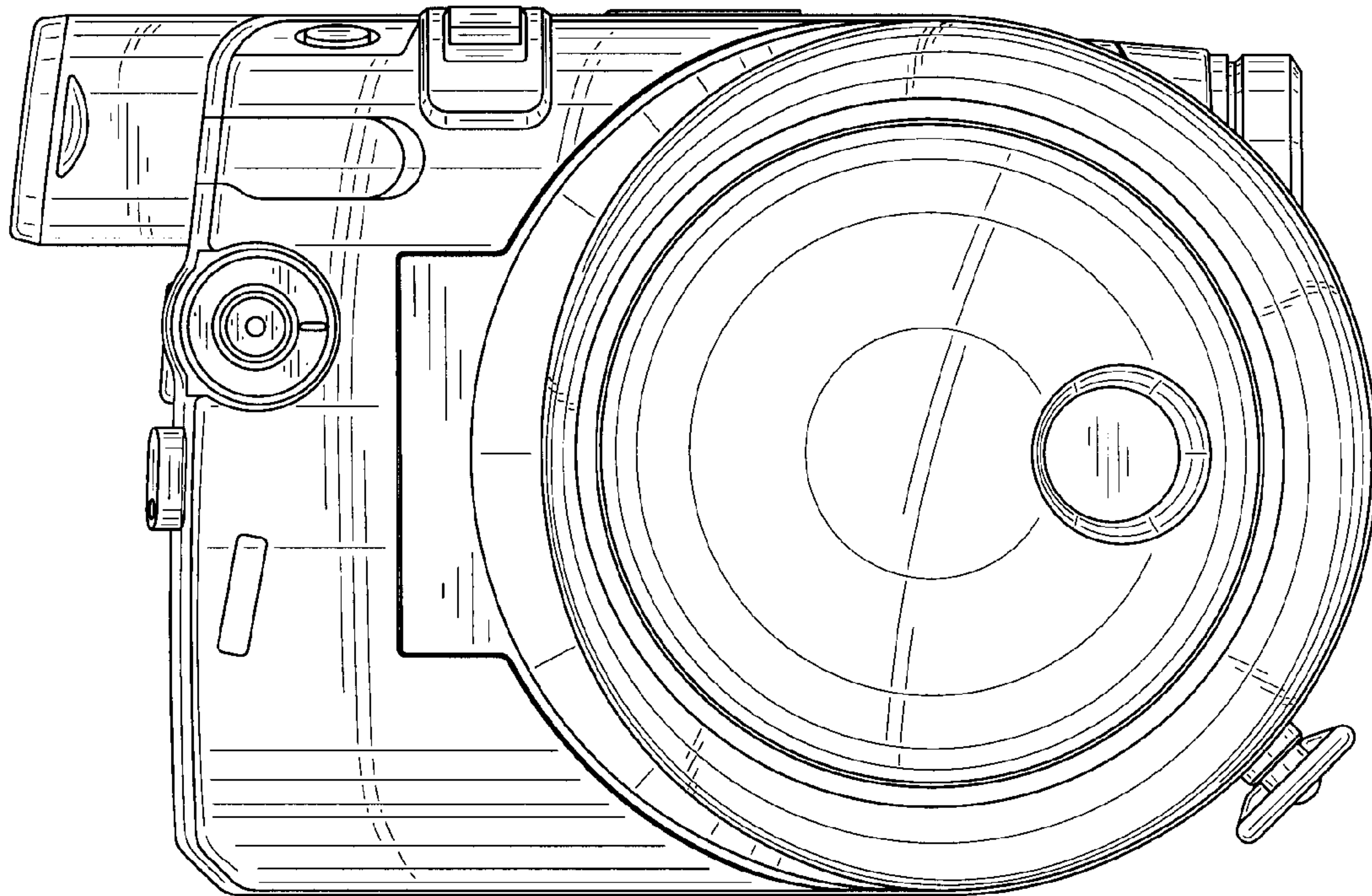


Fig.5

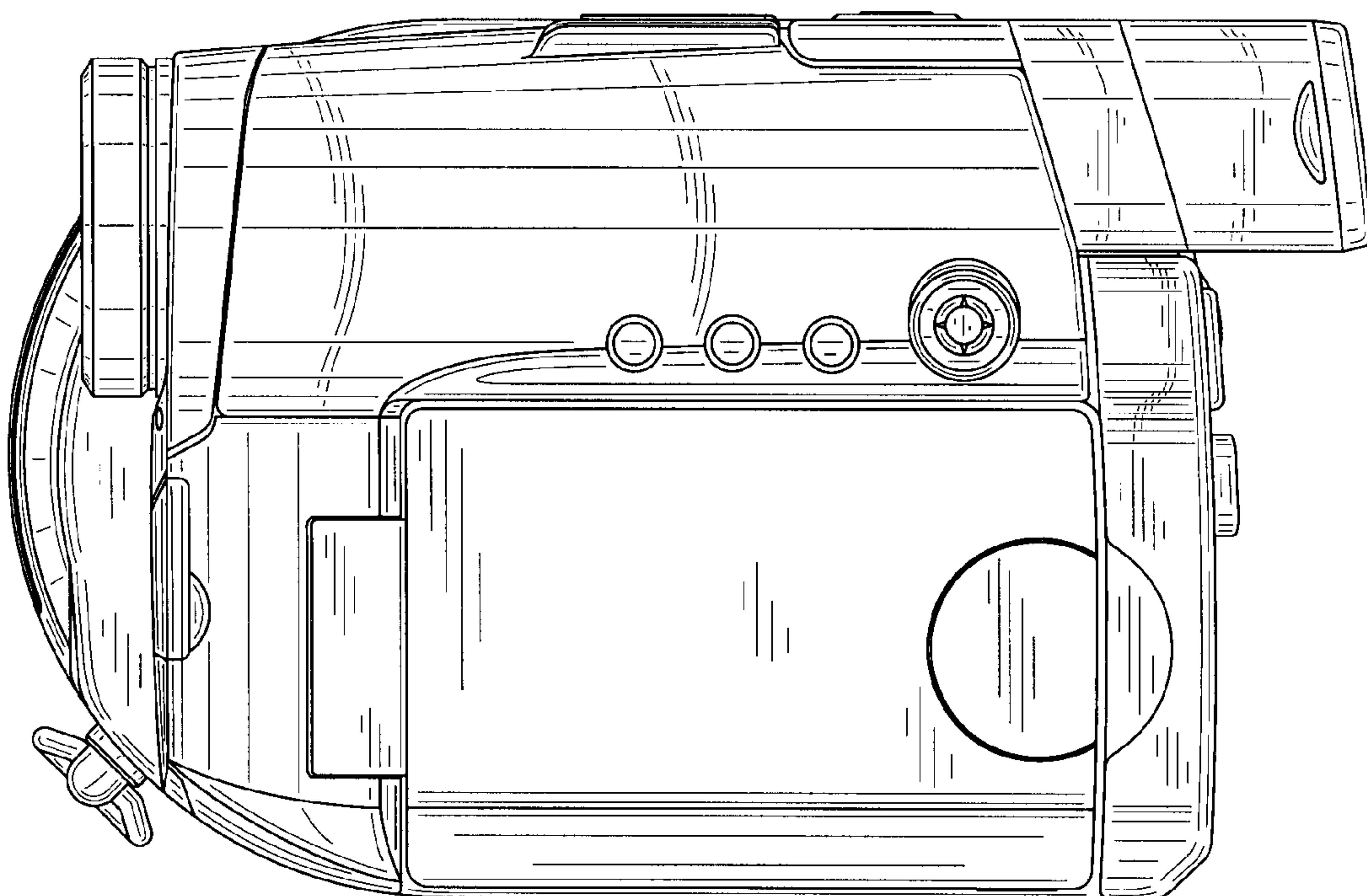


Fig.6

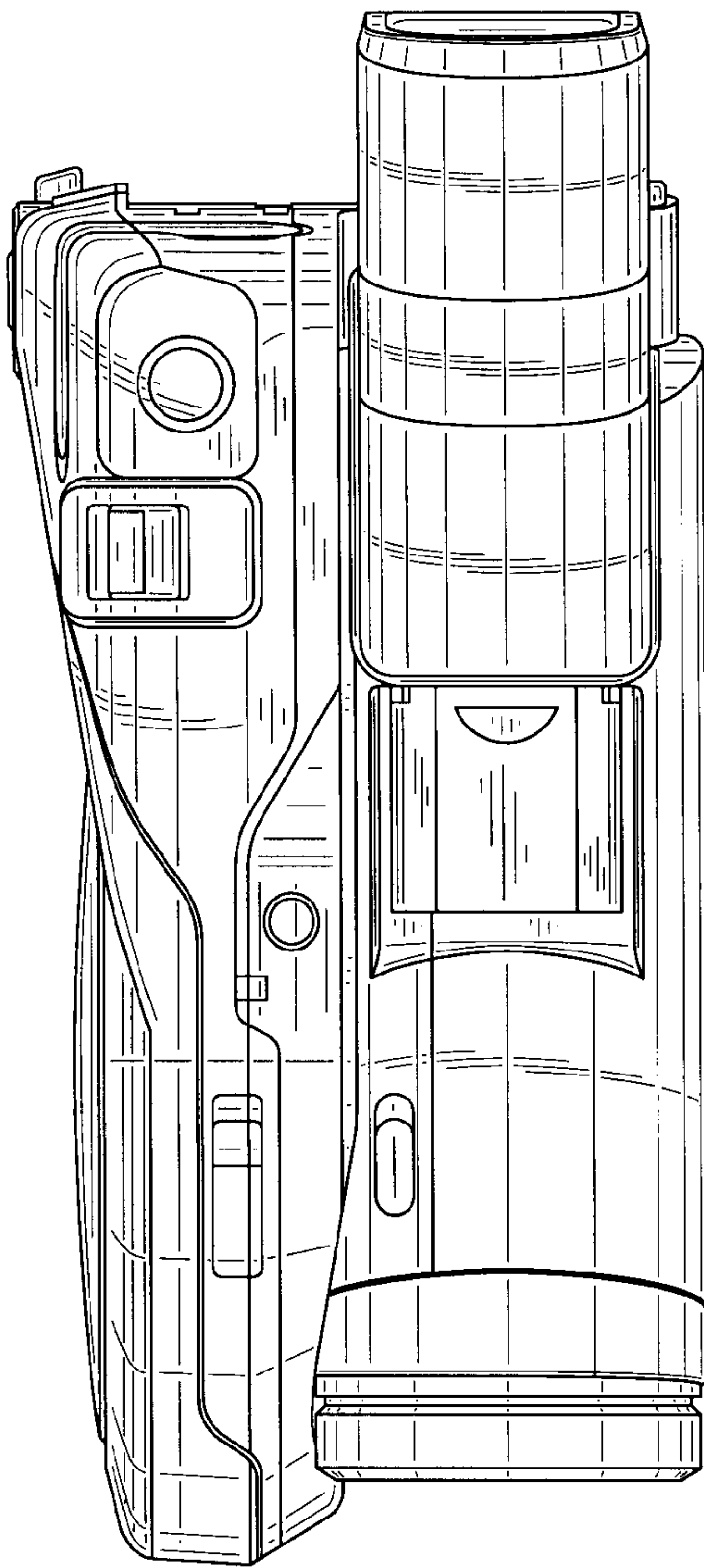


Fig.7

