



US00D516596S

(12) **United States Design Patent**
Watarai

(10) **Patent No.:** **US D516,596 S**
(45) **Date of Patent:** **** Mar. 7, 2006**

(54) **DIGITAL CAMERA**

(75) **Inventor:** **Kazuhiko Watarai, Tama (JP)**

(73) **Assignee:** **Olympus Corporation, Tokyo (JP)**

(**) **Term:** **14 Years**

(21) **Appl. No.:** **29/210,335**

(22) **Filed:** **Jul. 28, 2004**

(30) **Foreign Application Priority Data**

Jun. 14, 2004 (JP) 2004-017701

(51) **LOC (8) Cl.** **16-01**

(52) **U.S. Cl.** **D16/202**

(58) **Field of Classification Search** D16/200–205,
D16/208, 218; 348/373–376; 358/909.1;
396/535–541

See application file for complete search history.

(56) **References Cited**

U.S. PATENT DOCUMENTS

D463,810 S * 10/2002 Suzuki et al. D16/202
D484,158 S * 12/2003 Kim D16/202

D487,282 S * 3/2004 Zhou D16/202
D494,990 S * 8/2004 Su et al. D16/202
D505,967 S * 6/2005 Ko et al. D16/218

* cited by examiner

Primary Examiner—Adir Aronovich

(74) *Attorney, Agent, or Firm*—Hogan & Hartson, LLP

(57) **CLAIM**

The ornamental design for a digital camera, as shown and described.

DESCRIPTION

FIG. 1 is a top, front and right side perspective view of a digital camera showing my new design;
FIG. 2 is a top, rear and left side perspective view thereof;
FIG. 3 is a front view thereof;
FIG. 4 is a rear view thereof;
FIG. 5 is a top plan view thereof;
FIG. 6 is a bottom plan view thereof;
FIG. 7 is a right side view thereof;
FIG. 8 is a left side view thereof; and,
FIG. 9 is a top, front and right side perspective view thereof, with a barrier opened and lens in an extended position.

1 Claim, 5 Drawing Sheets

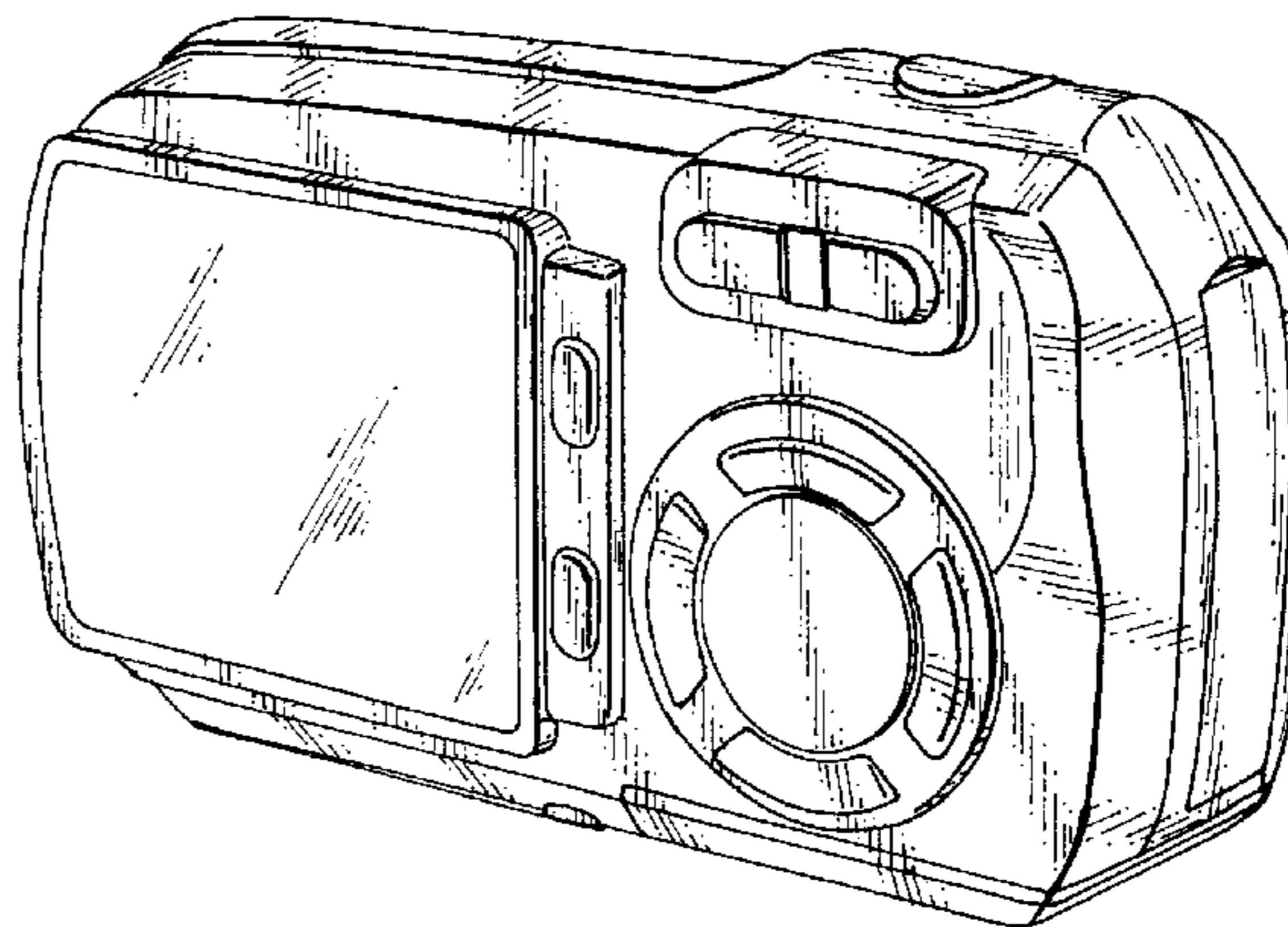
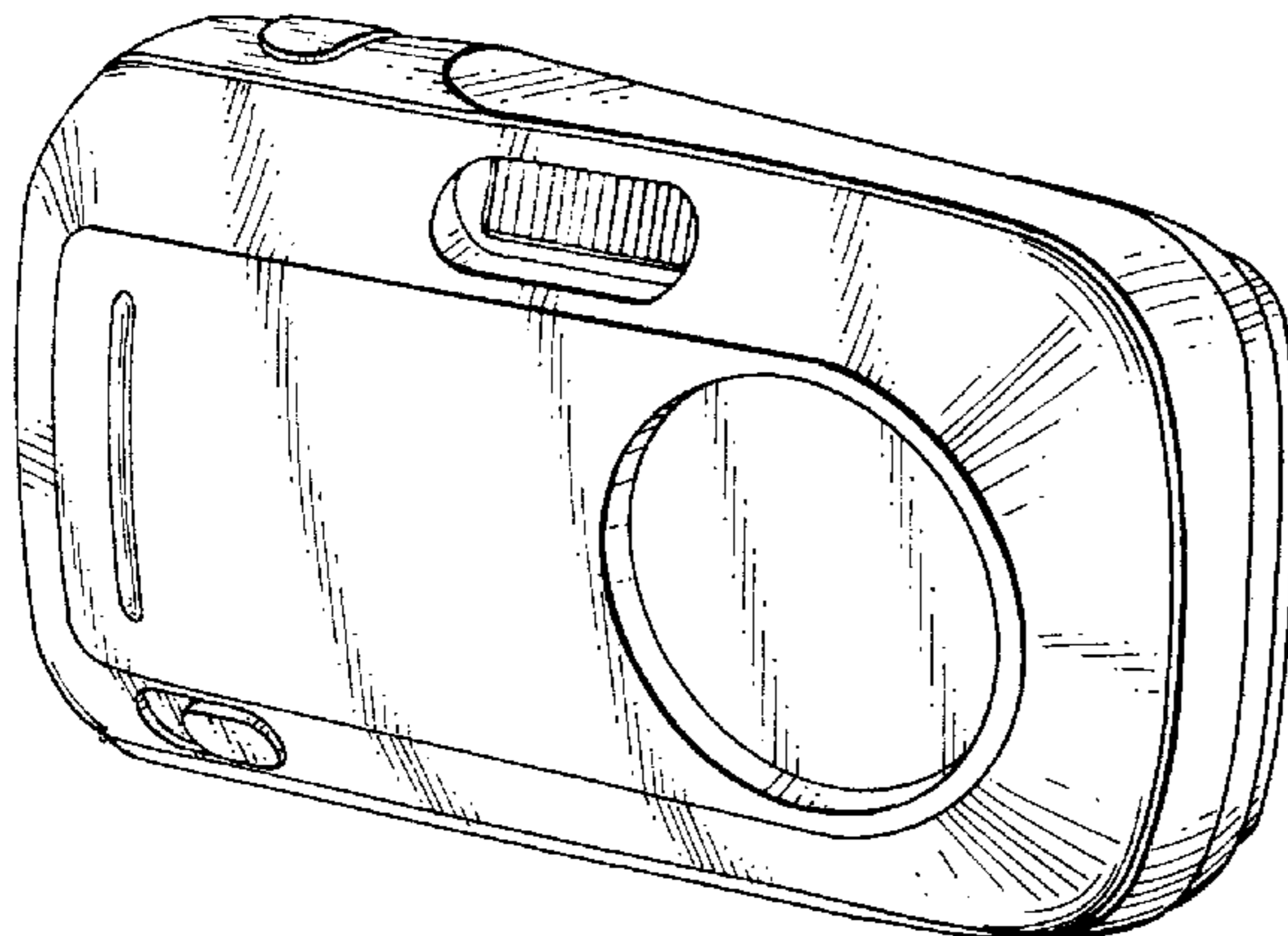


FIG.1

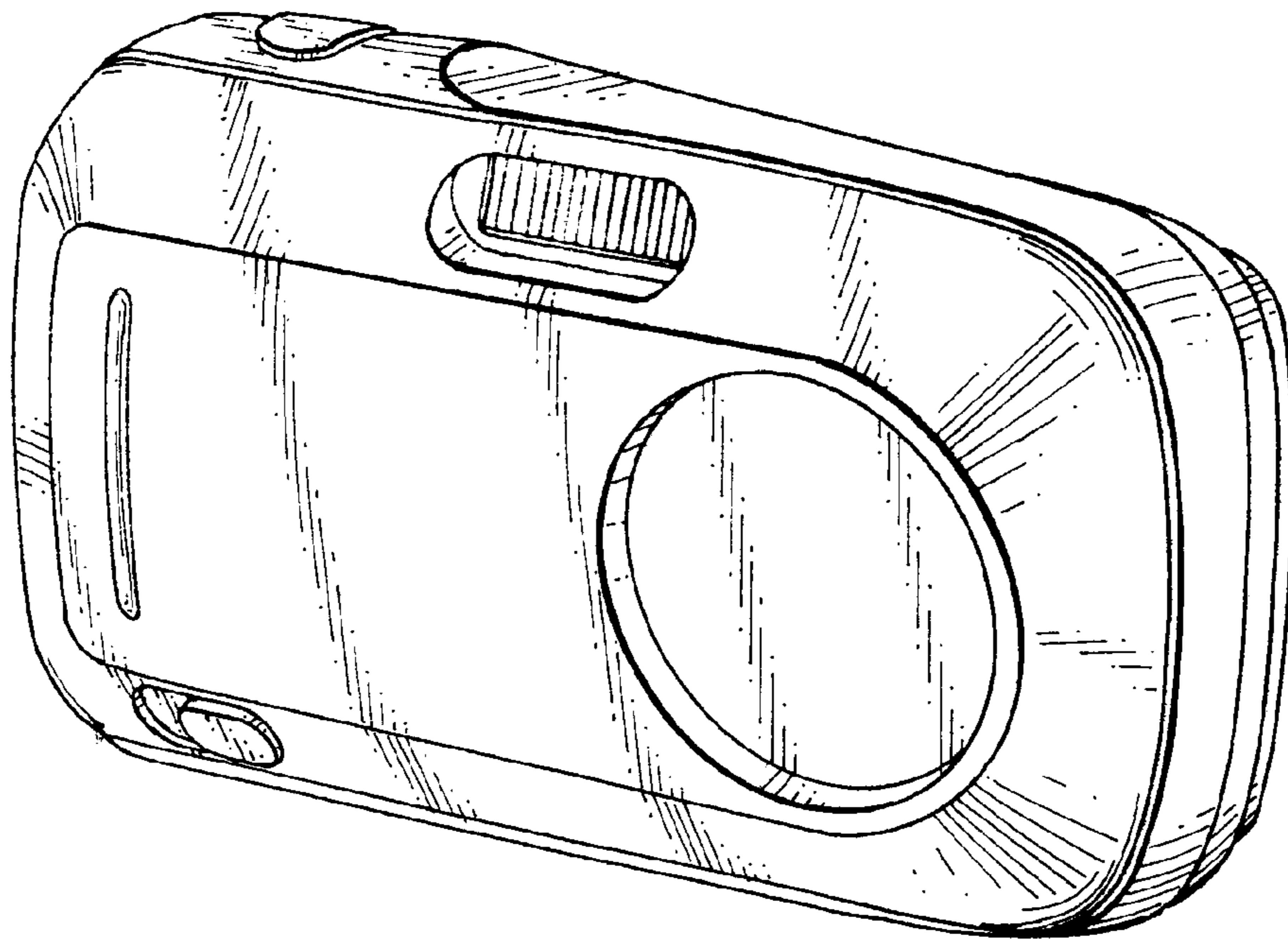


FIG.2

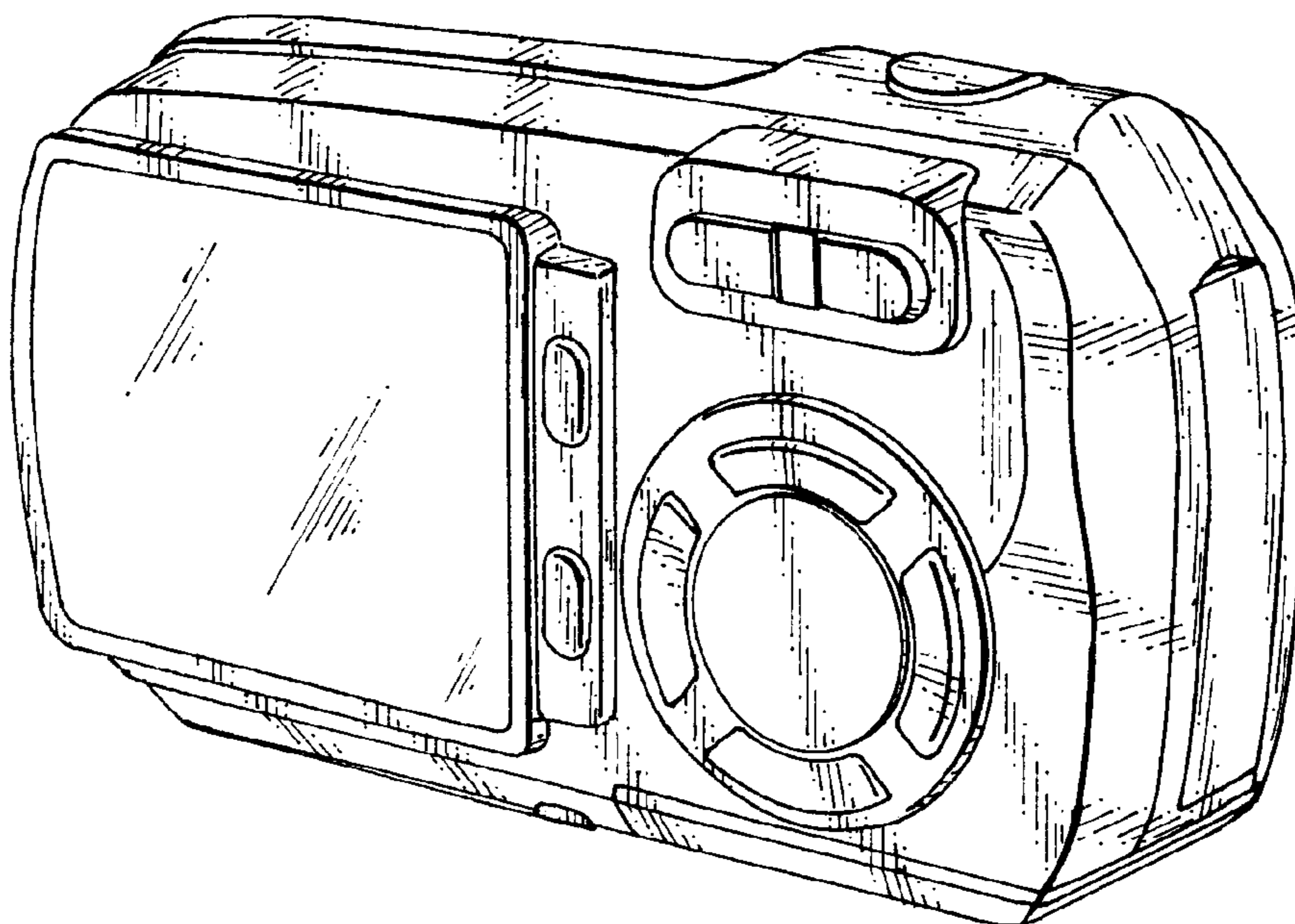


FIG. 3

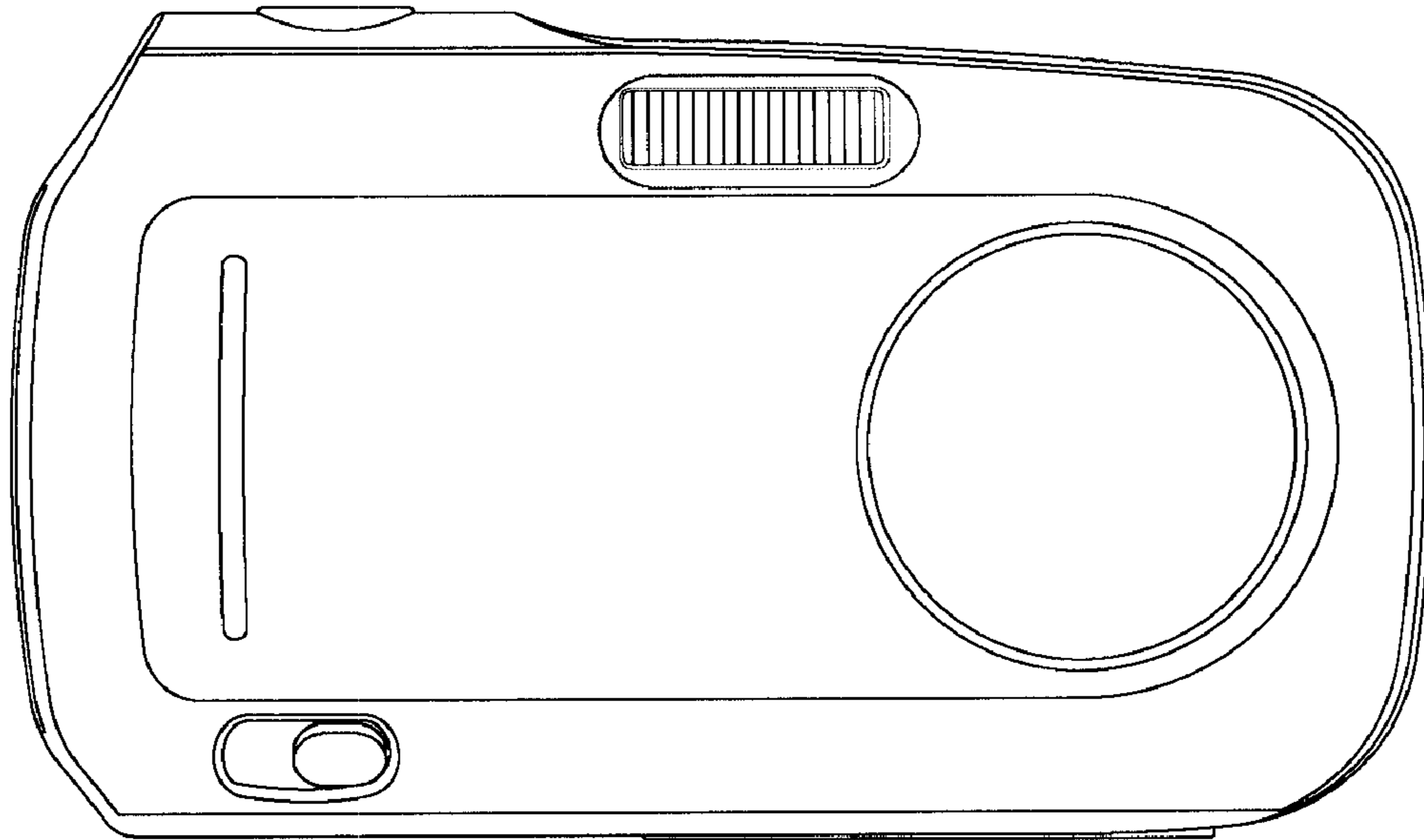


FIG. 4

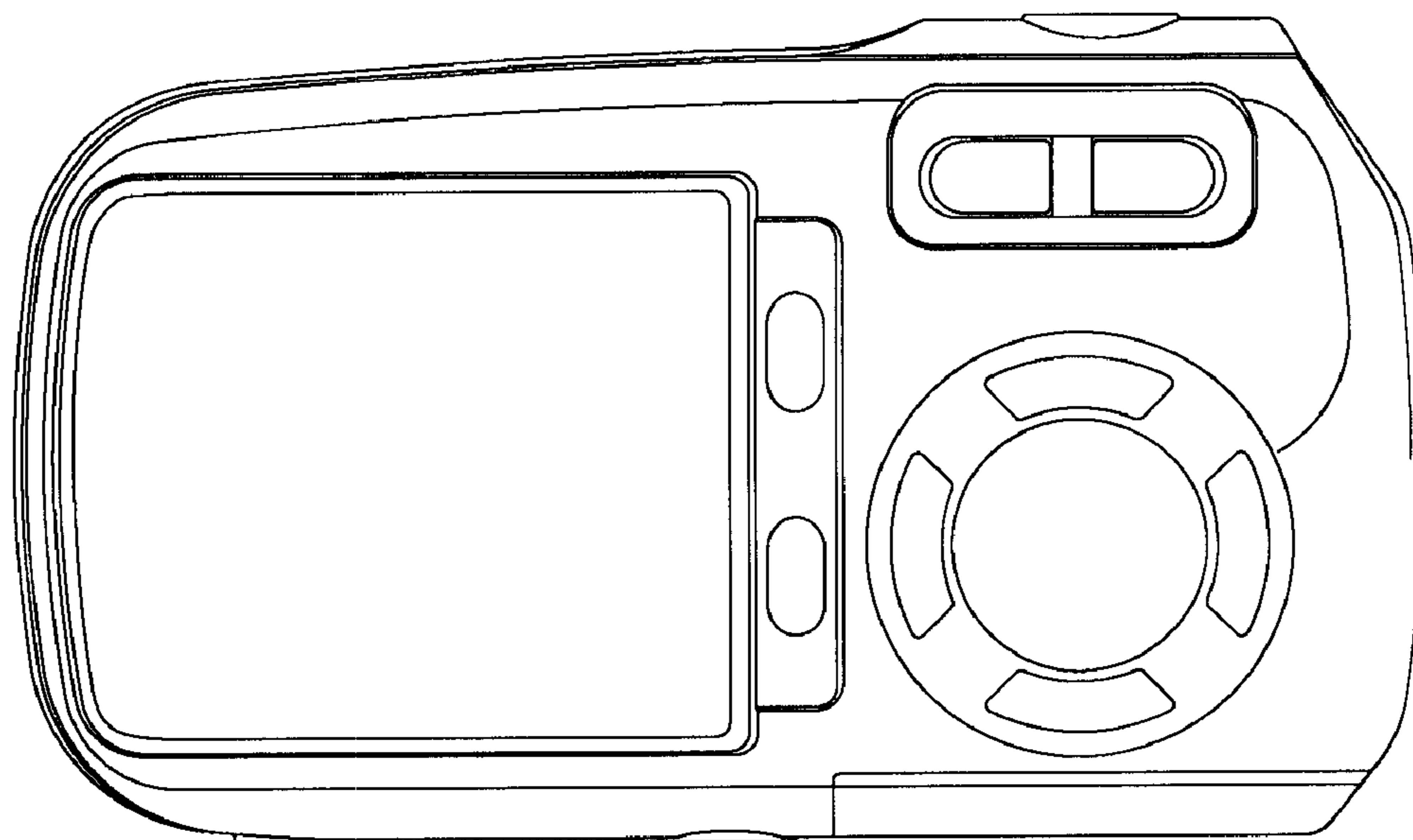


FIG. 5

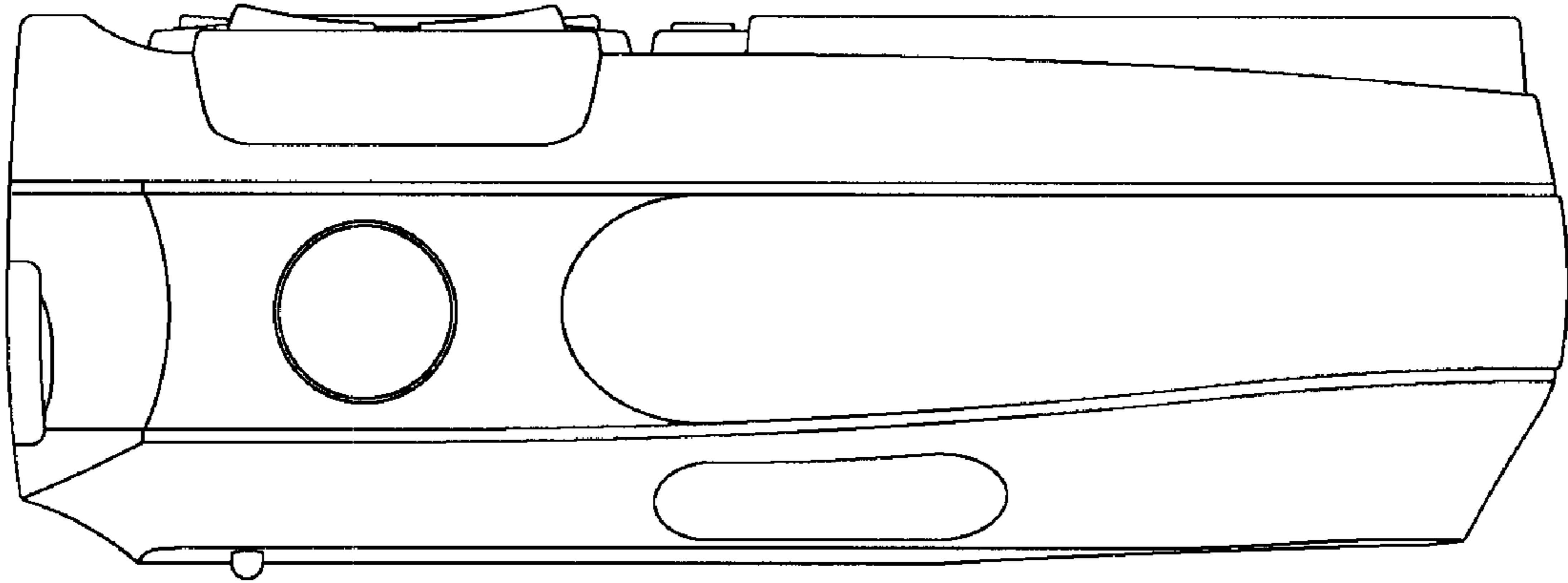


FIG. 6

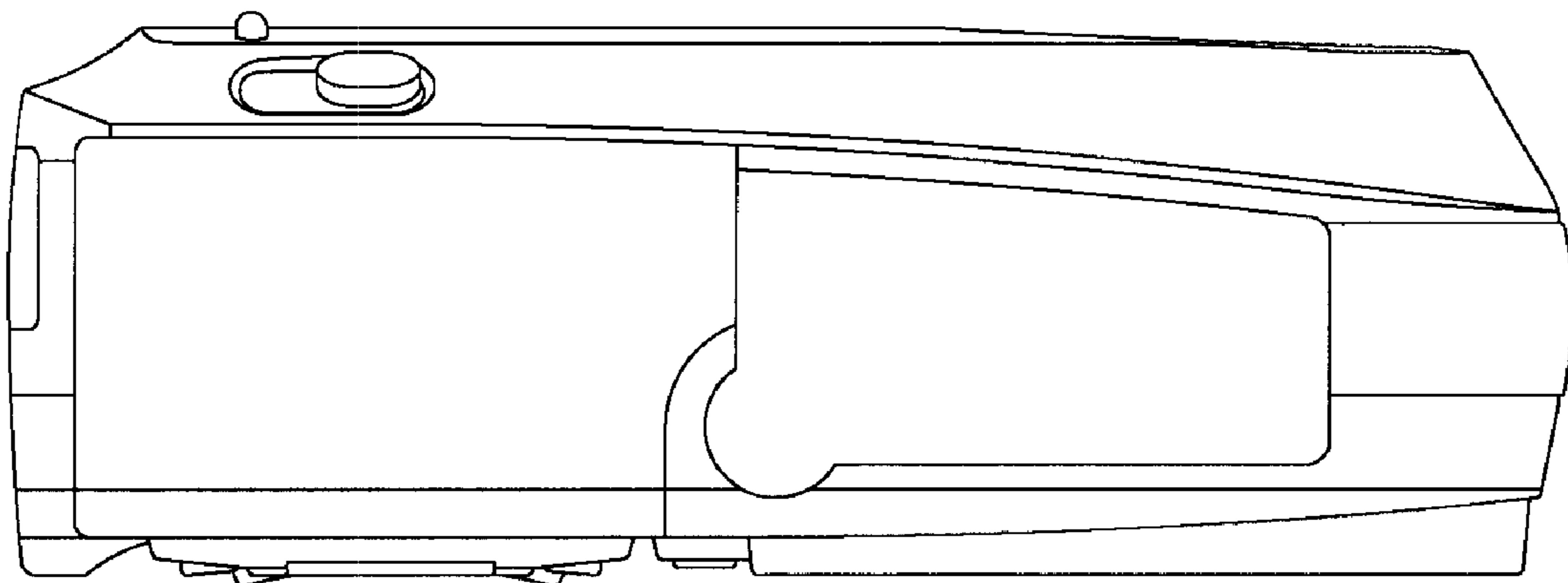


FIG. 7

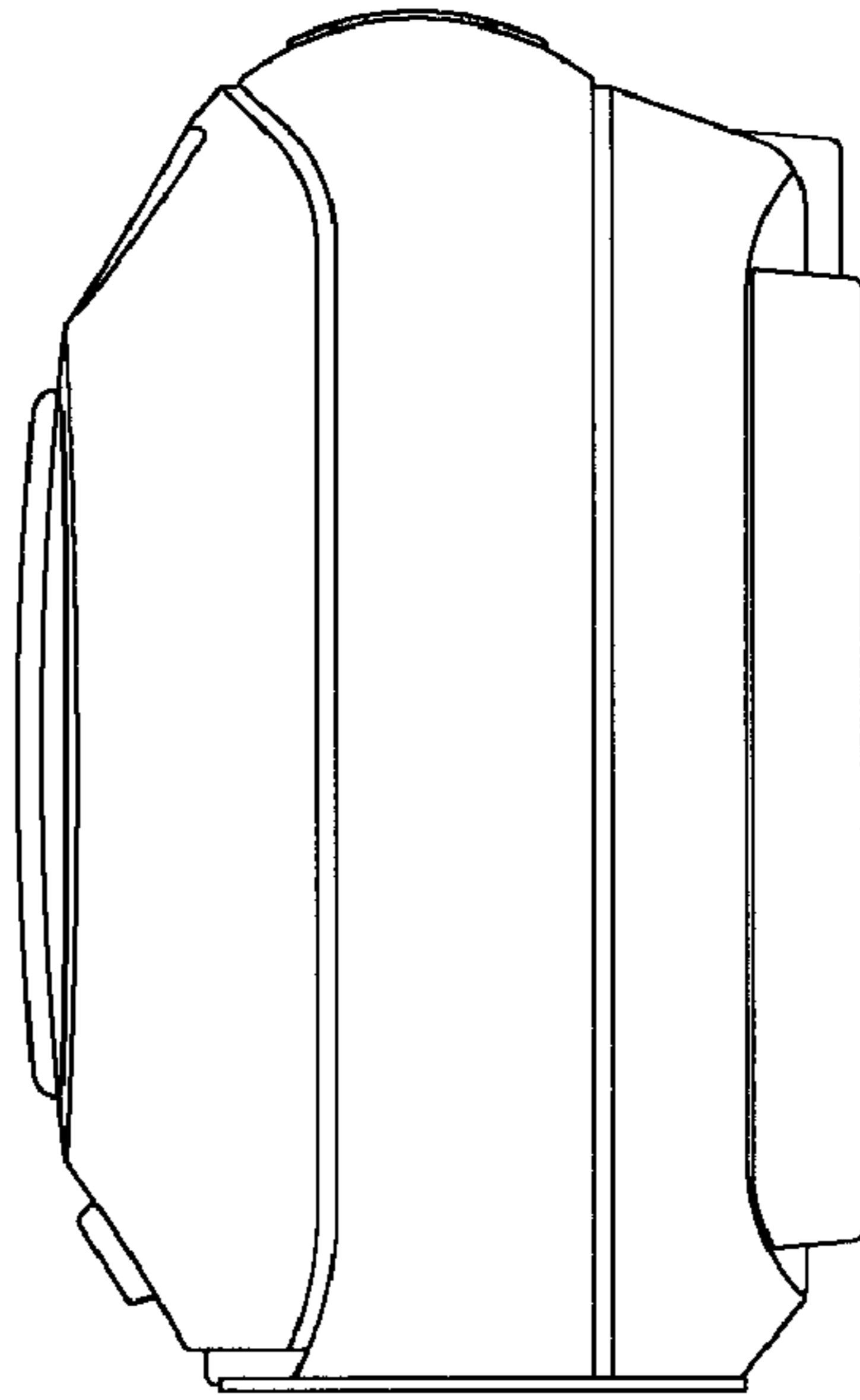


FIG. 8

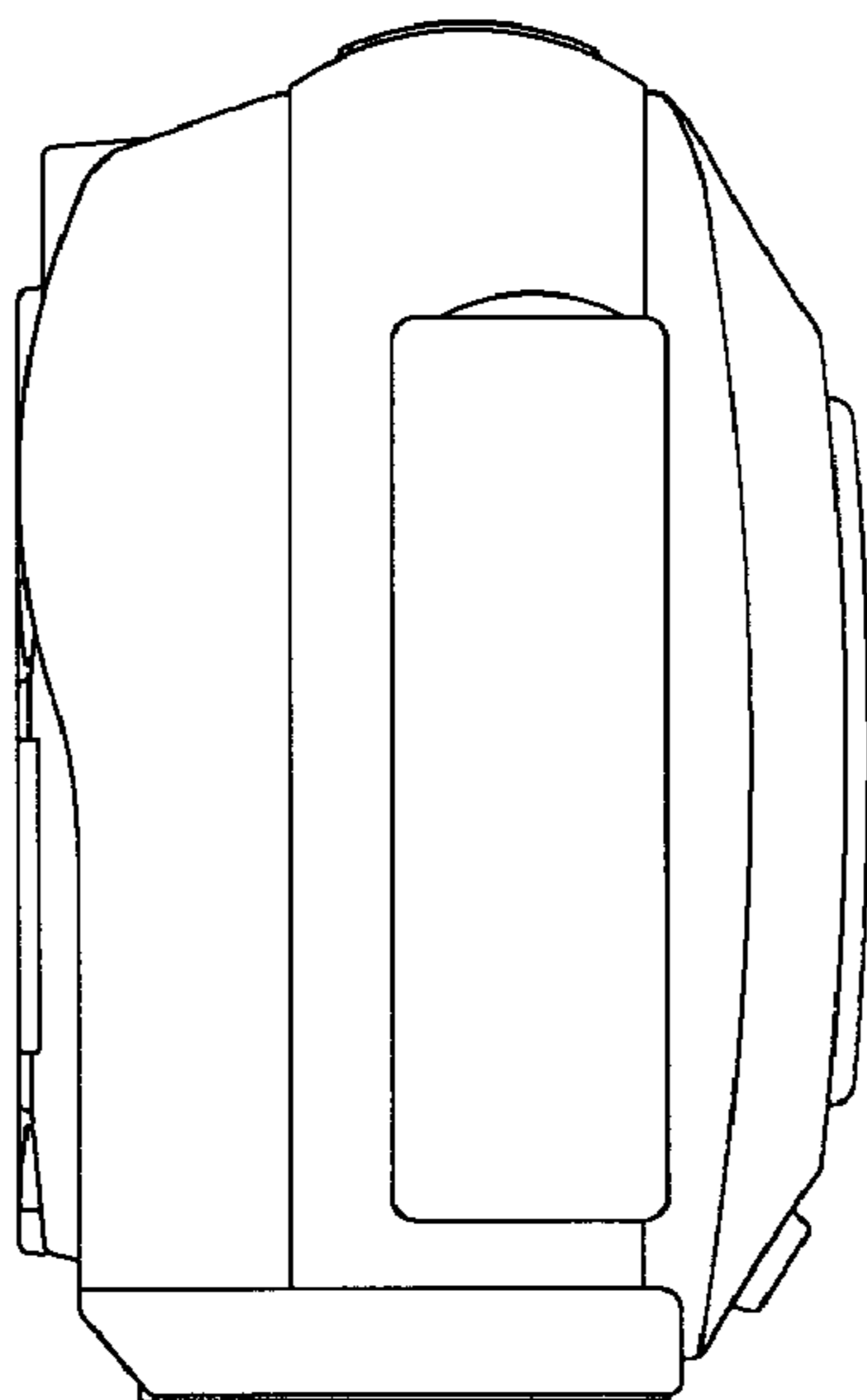


FIG.9

