



US00D516595S

(12) **United States Design Patent**  
**Apothéloz et al.**

(10) **Patent No.: US D516,595 S**  
(45) **Date of Patent: \*\* Mar. 7, 2006**

(54) **MICROSCOPE STAND**

(75) Inventors: **Christophe Apothéloz, Zurich (CH);  
Jasna Roeth, Solms (DE); Manfred  
Gilbert, Schoeffengrund (DE)**

(73) Assignee: **Leica Microsystems Wetzlar GmbH  
(DE)**

(\*\*) Term: **14 Years**

(21) Appl. No.: **29/217,821**

(22) Filed: **Nov. 22, 2004**

(30) **Foreign Application Priority Data**

Jun. 8, 2004 (DE) ..... 4 04 03 423

(51) **LOC (8) Cl. .... 16-06**

(52) **U.S. Cl. .... D16/131**

(58) **Field of Classification Search** ..... D16/130,  
D16/131; 359/368, 376, 383, 384, 385, 390,  
359/393, 372

See application file for complete search history.

(56) **References Cited**

**U.S. PATENT DOCUMENTS**

D260,402 S \* 8/1981 Hodgson ..... D16/131  
D276,351 S \* 11/1984 Janke et al. .... D16/131  
4,573,771 A \* 3/1986 Hill ..... 359/383

4,619,503 A \* 10/1986 Reinheimer et al. .... 359/372  
D291,702 S \* 9/1987 Kahute ..... D16/131  
D345,748 S \* 4/1994 Holbl ..... D16/131  
D389,163 S \* 1/1998 Hofmann-Igl ..... D16/131  
D425,921 S \* 5/2000 Holbl et al. .... D16/131  
D429,265 S \* 8/2000 Holbl et al. .... D16/131  
D444,159 S \* 6/2001 Hoelbl et al. .... D16/131

\* cited by examiner

*Primary Examiner*—Paula A. Greene

(74) *Attorney, Agent, or Firm*—Simpson & Simpson, PLLC

(57) **CLAIM**

The ornamental design for microscope stand, as shown and described.

**DESCRIPTION**

FIG. 1 is a perspective view of a microscope stand of the invention;

FIG. 2 is a front view of the microscope stand of FIG. 1;

FIG. 3 is a right side view of the microscope stand of FIG. 1;

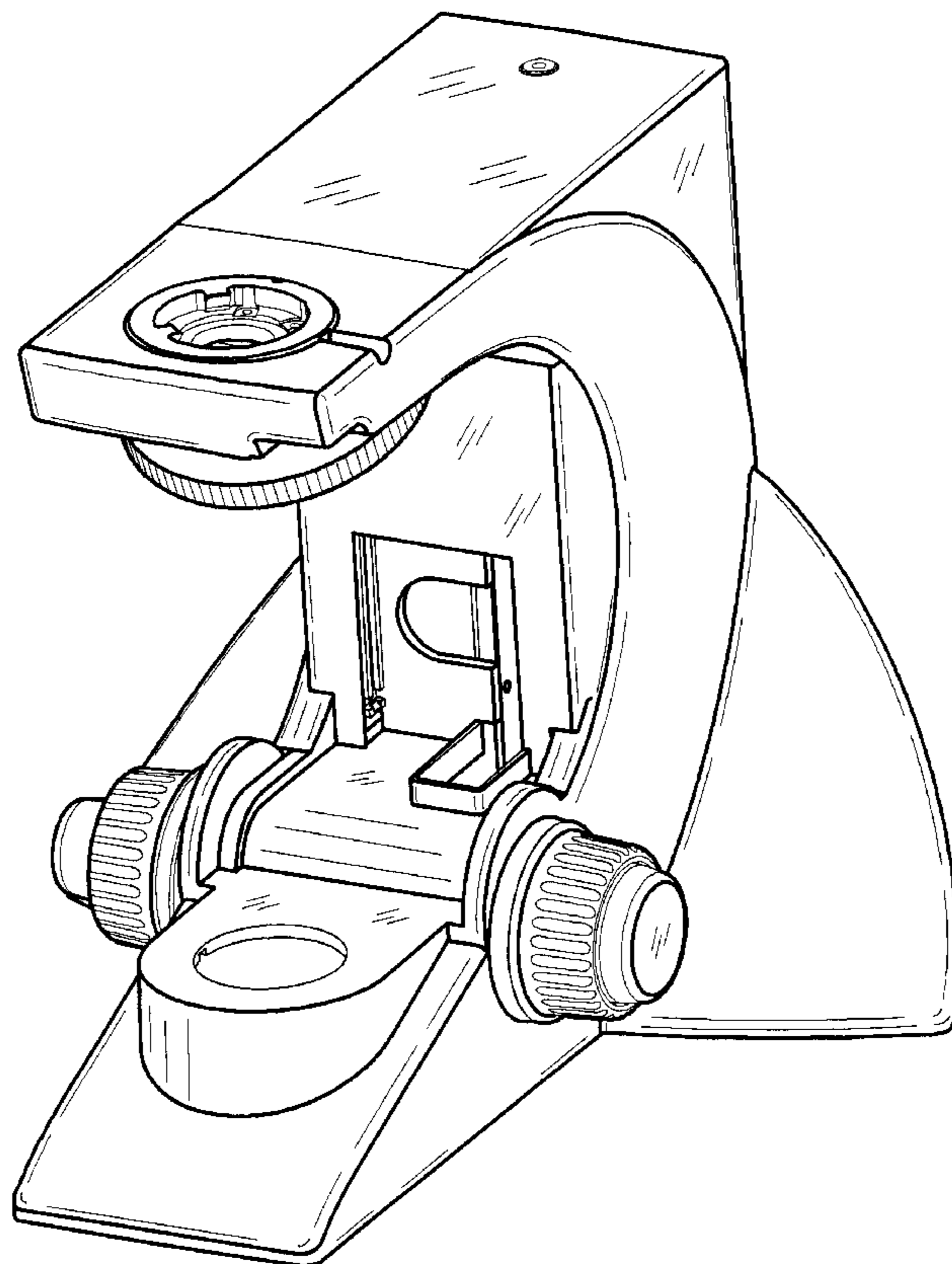
FIG. 4 is a left side view of the microscope stand of FIG. 1;

FIG. 5 is a top view of the microscope stand of FIG. 1;

FIG. 6 is a bottom view of the microscope stand of FIG. 1; and,

FIG. 7 is a rear view of the microscope stand of FIG. 1.

**1 Claim, 7 Drawing Sheets**



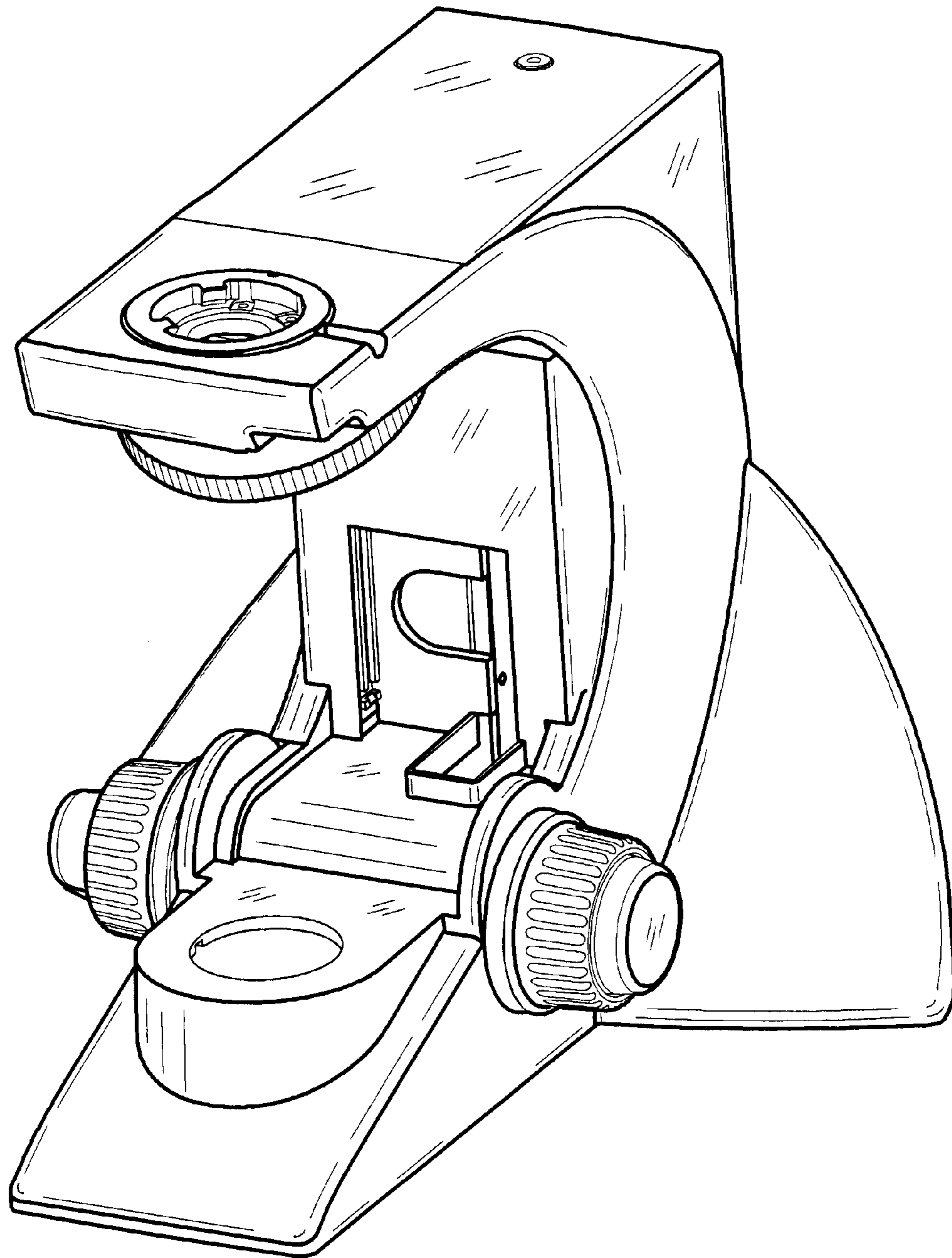


Figure 1

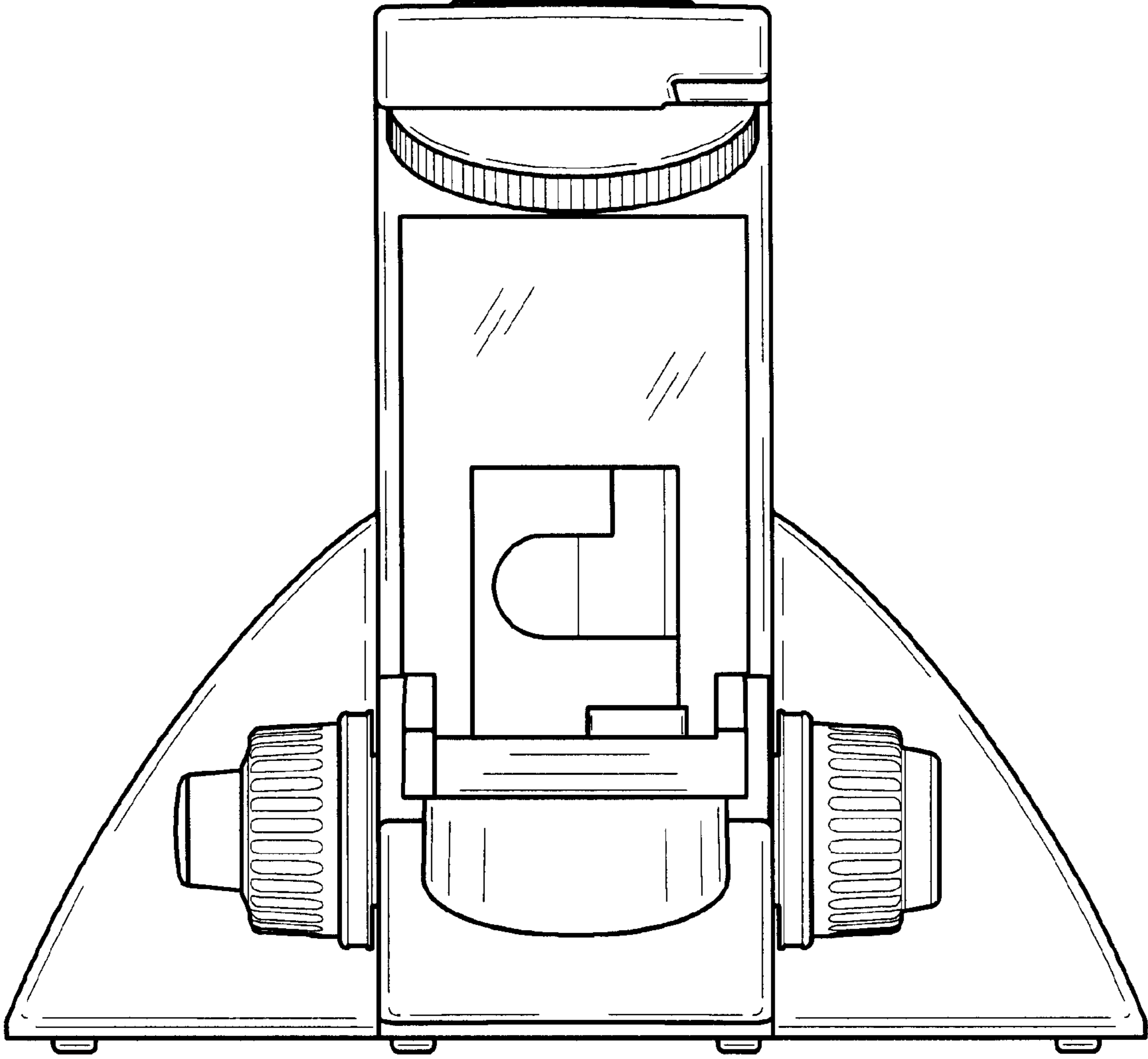


Figure 2

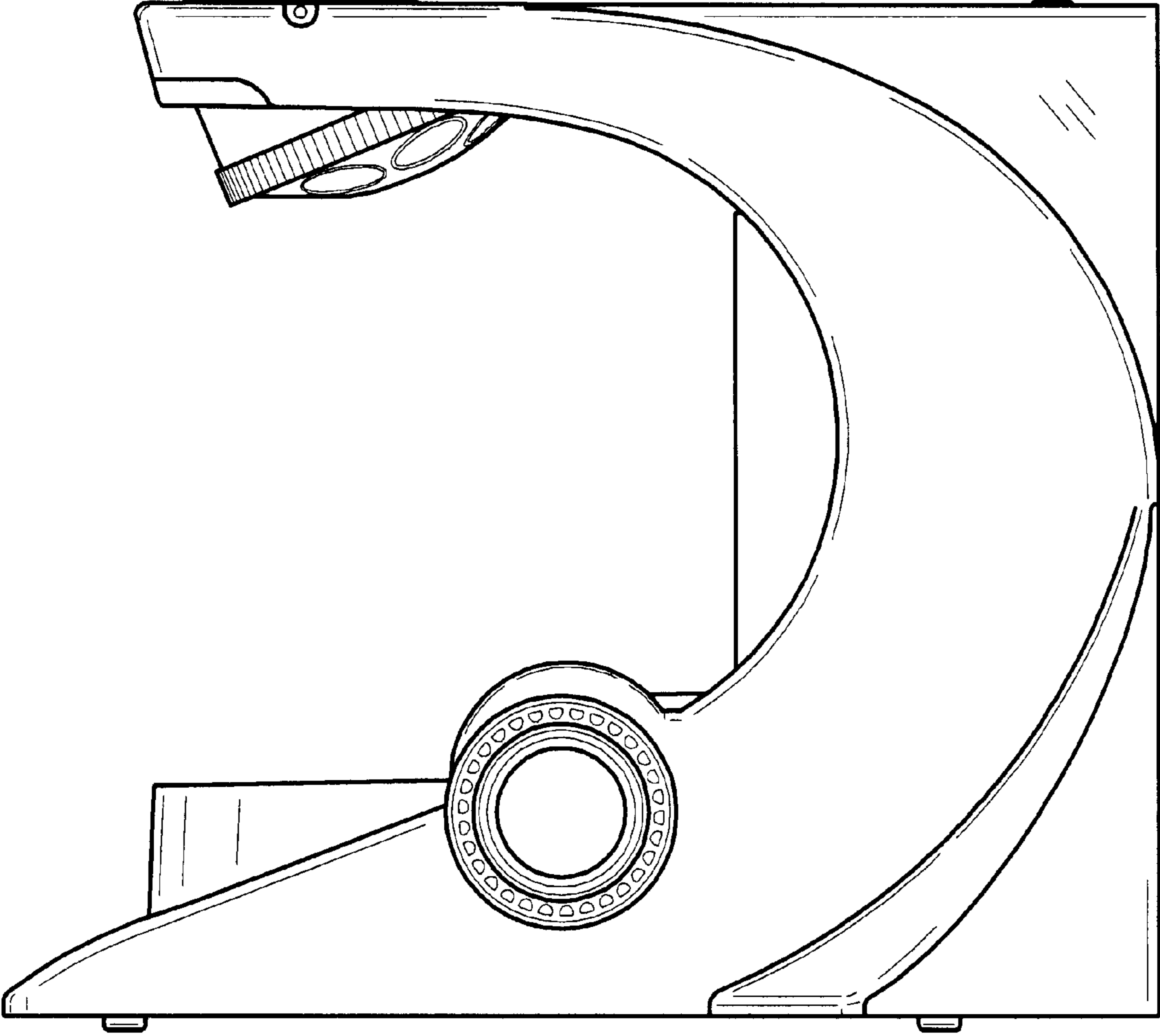


Figure 3

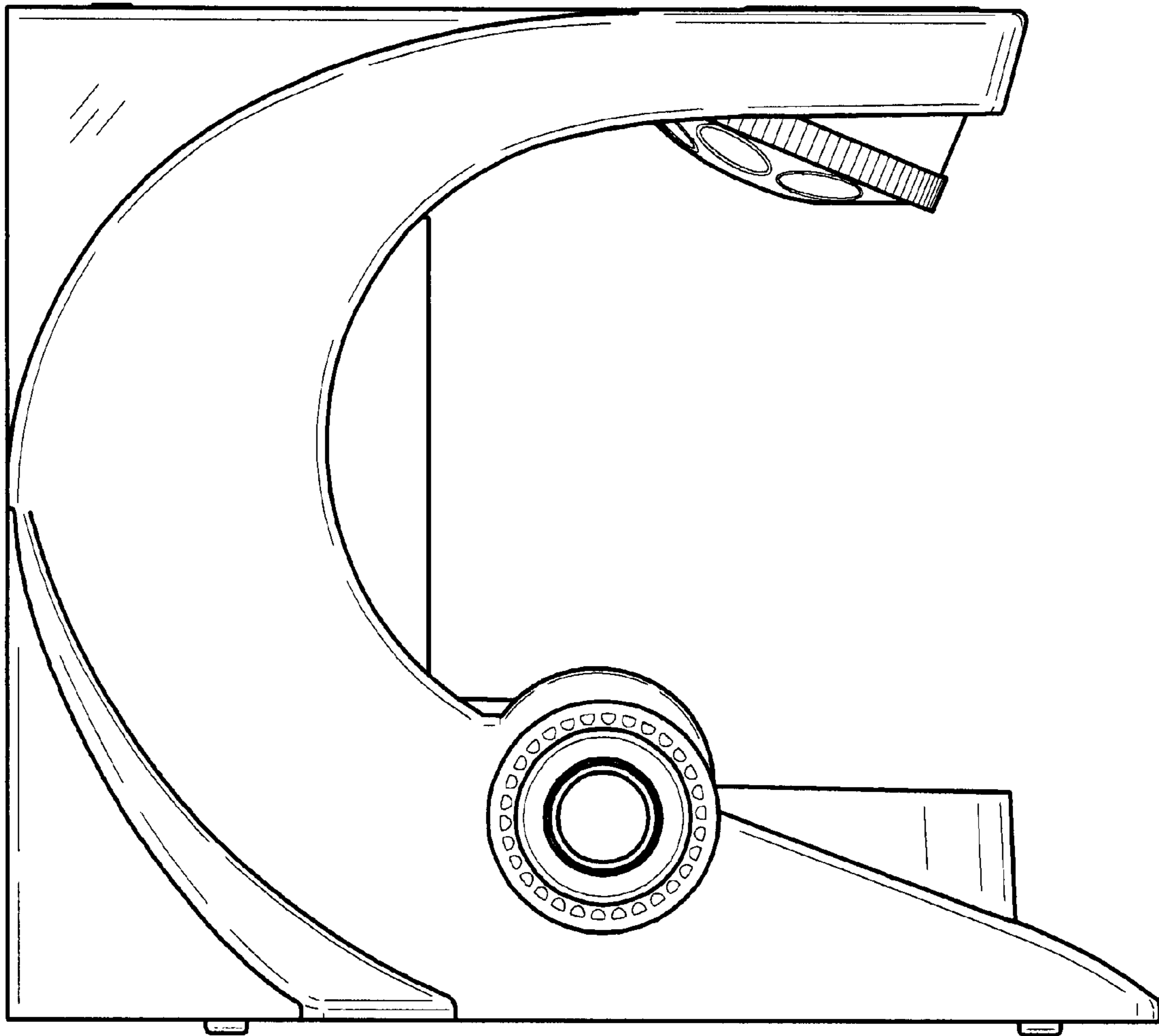


Figure 4

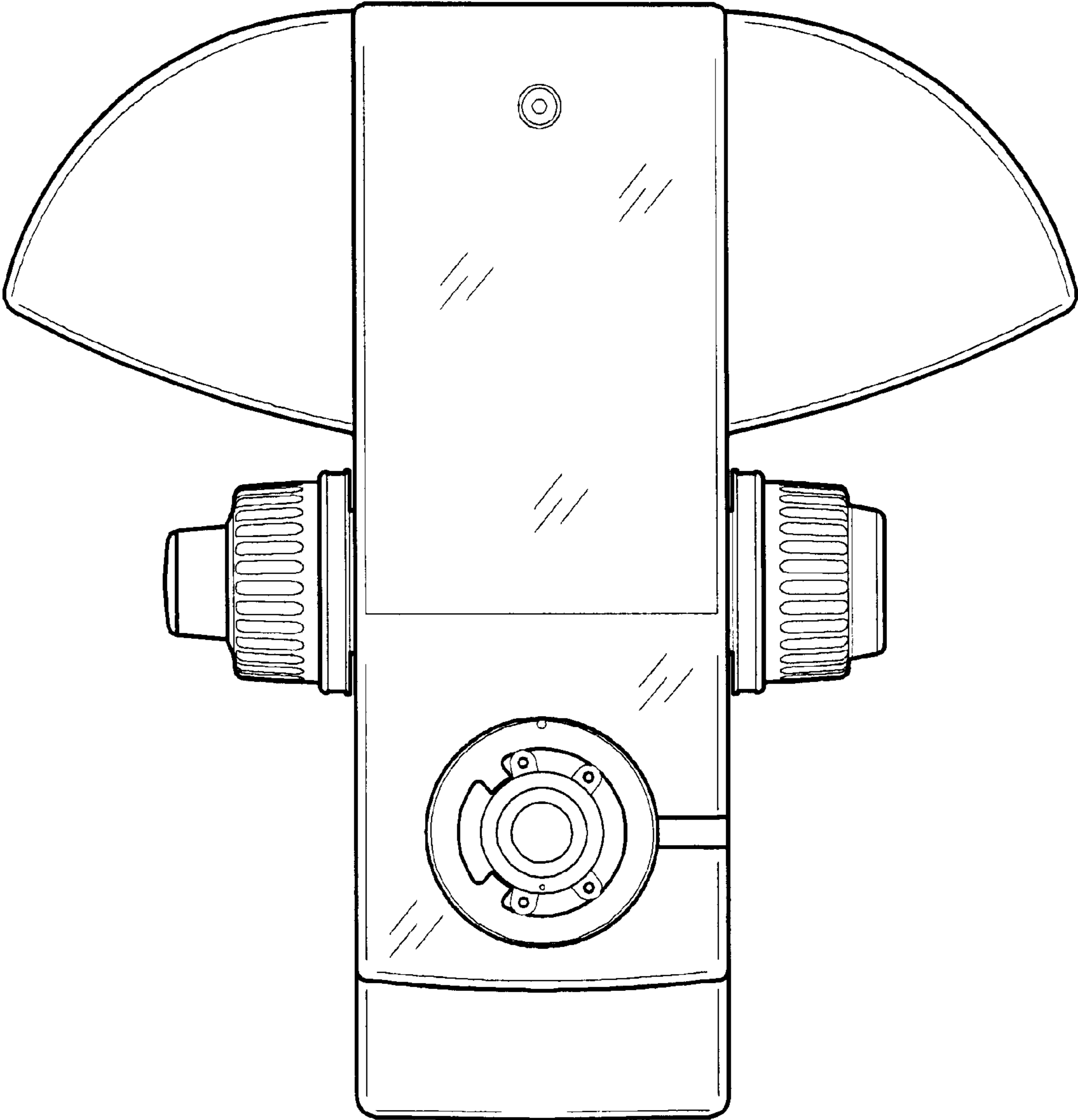


Figure 5

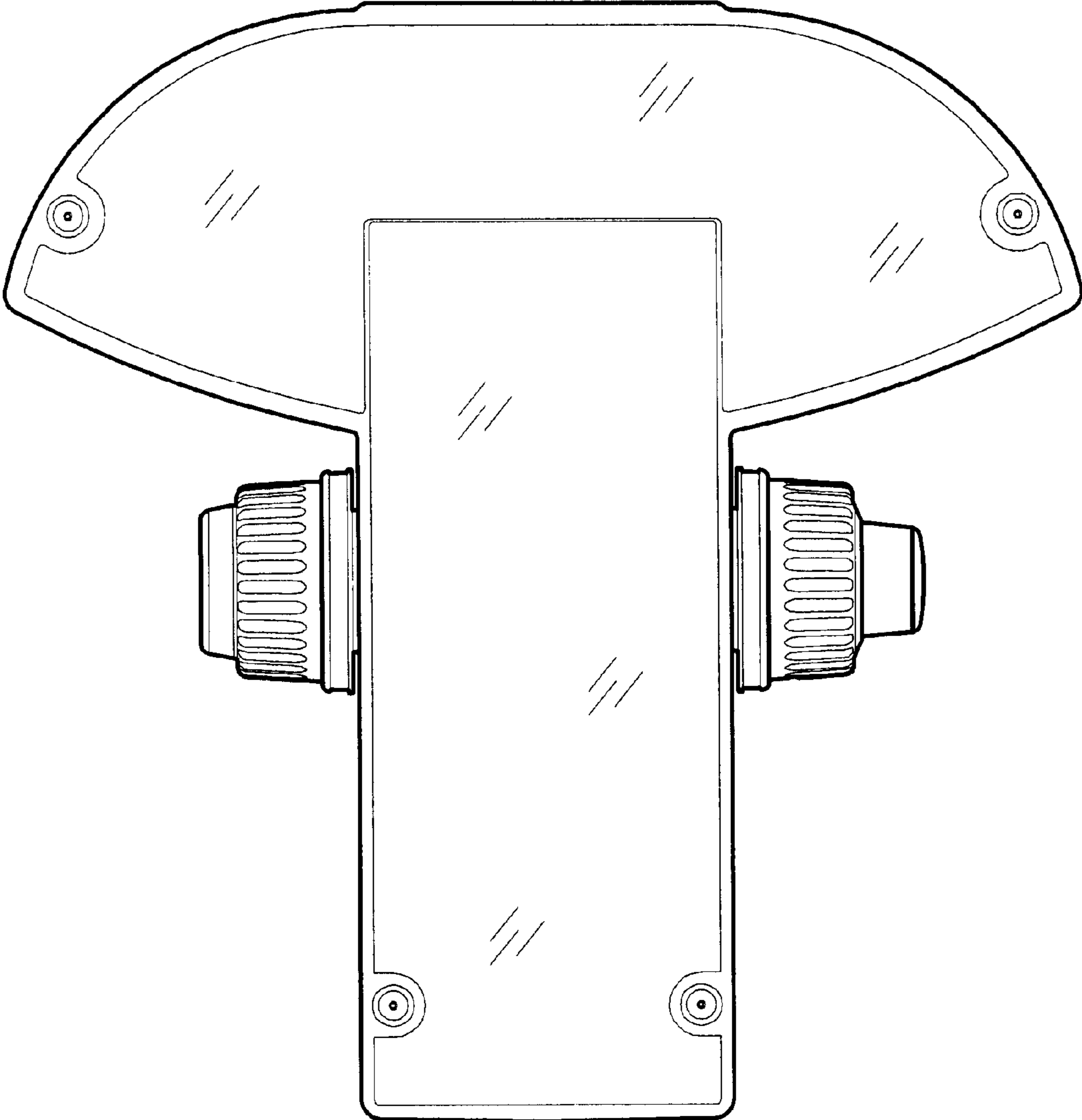


Figure 6

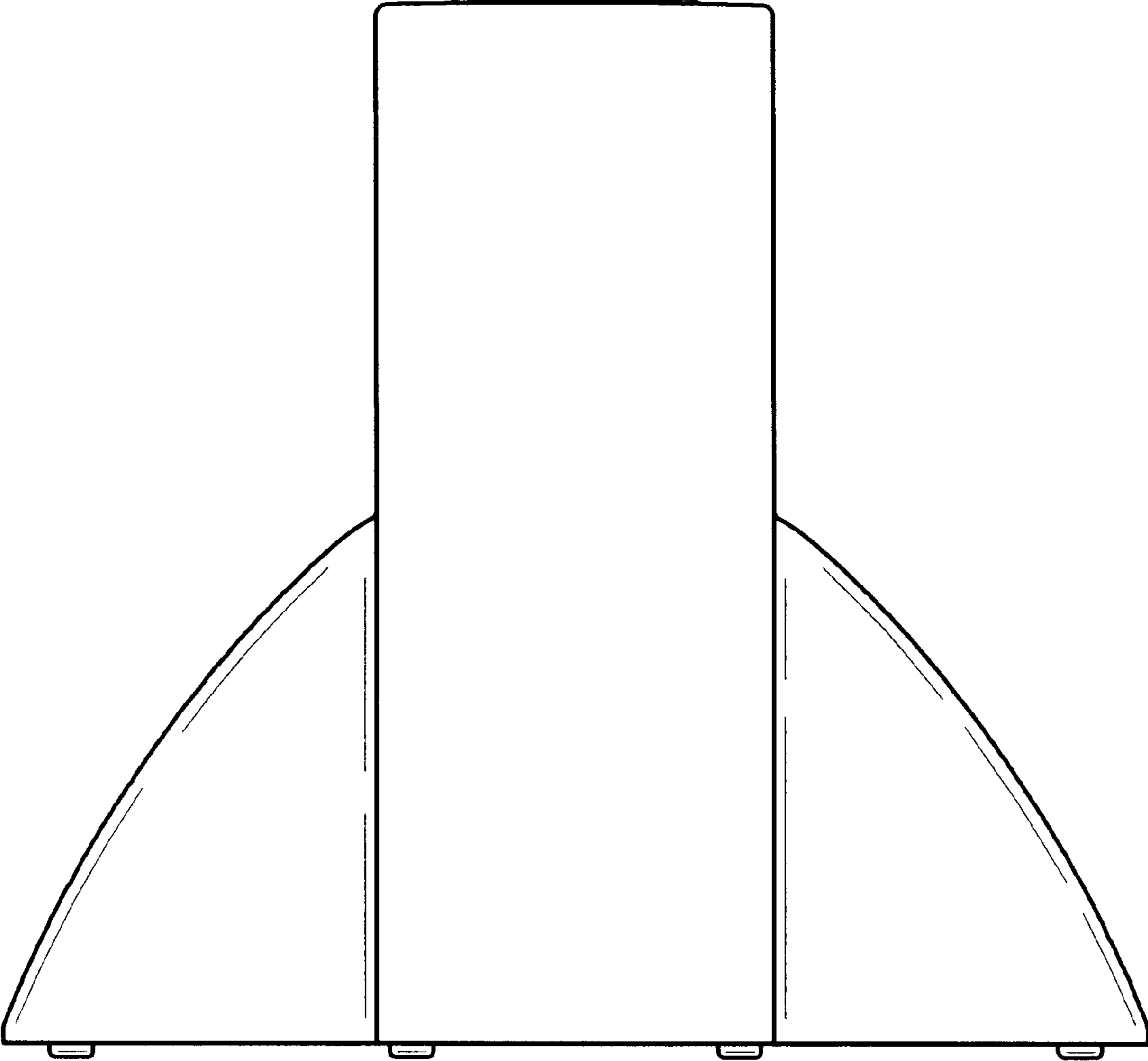


Figure 7