



US00D516590S

(12) **United States Design Patent**  
**Muto**

(10) **Patent No.: US D516,590 S**

(45) **Date of Patent: \*\* Mar. 7, 2006**

(54) **SEWING MACHINE**

(75) Inventor: **Hideki Muto, Tokyo (JP)**

(73) Assignee: **Janome Sewing Machine Company Limited, Tokyo (JP)**

(\*\*) Term: **14 Years**

(21) Appl. No.: **29/226,168**

(22) Filed: **Mar. 25, 2005**

(30) **Foreign Application Priority Data**

Nov. 16, 2004 (JP) ..... 2004-034942

(51) **LOC (8) Cl. .... 15-06**

(52) **U.S. Cl. .... D15/69**

(58) **Field of Classification Search** ..... D15/66-78;  
D21/527; 112/2, 63, 154, 217.1, 217.2, 217.3,  
112/217.4, 256-261, 475.01  
See application file for complete search history.

(56) **References Cited**

**U.S. PATENT DOCUMENTS**

- D434,426 S \* 11/2000 Kuroki ..... D15/69
- D435,052 S \* 12/2000 Kuroki ..... D15/70
- D450,722 S \* 11/2001 Kawaguchi ..... D15/69

- D459,737 S \* 7/2002 Kuroki ..... D15/69
- D460,765 S \* 7/2002 Kuroki ..... D15/69
- D474,208 S \* 5/2003 Kawaguchi ..... D15/69
- D503,726 S \* 4/2005 Iwai ..... D15/69
- D506,478 S \* 6/2005 Kuroki ..... D15/70
- D507,583 S \* 7/2005 Muto ..... D15/70

\* cited by examiner

*Primary Examiner*—Nanda Bondade

*Assistant Examiner*—Shanda C. Hill

(74) *Attorney, Agent, or Firm*—Jacobson Holman PLLC

(57) **CLAIM**

The ornamental design for a sewing machine, as shown and described.

**DESCRIPTION**

FIG. 1 is a front perspective view showing my new design for a sewing machine,  
 FIG. 2 is a rear perspective view thereof;  
 FIG. 3 is a top view thereof;  
 FIG. 4 is a bottom view thereof;  
 FIG. 5 is a front view thereof;  
 FIG. 6 is a rear view thereof;  
 FIG. 7 is a left side view thereof; and,  
 FIG. 8 is a right side view thereof.

**1 Claim, 7 Drawing Sheets**

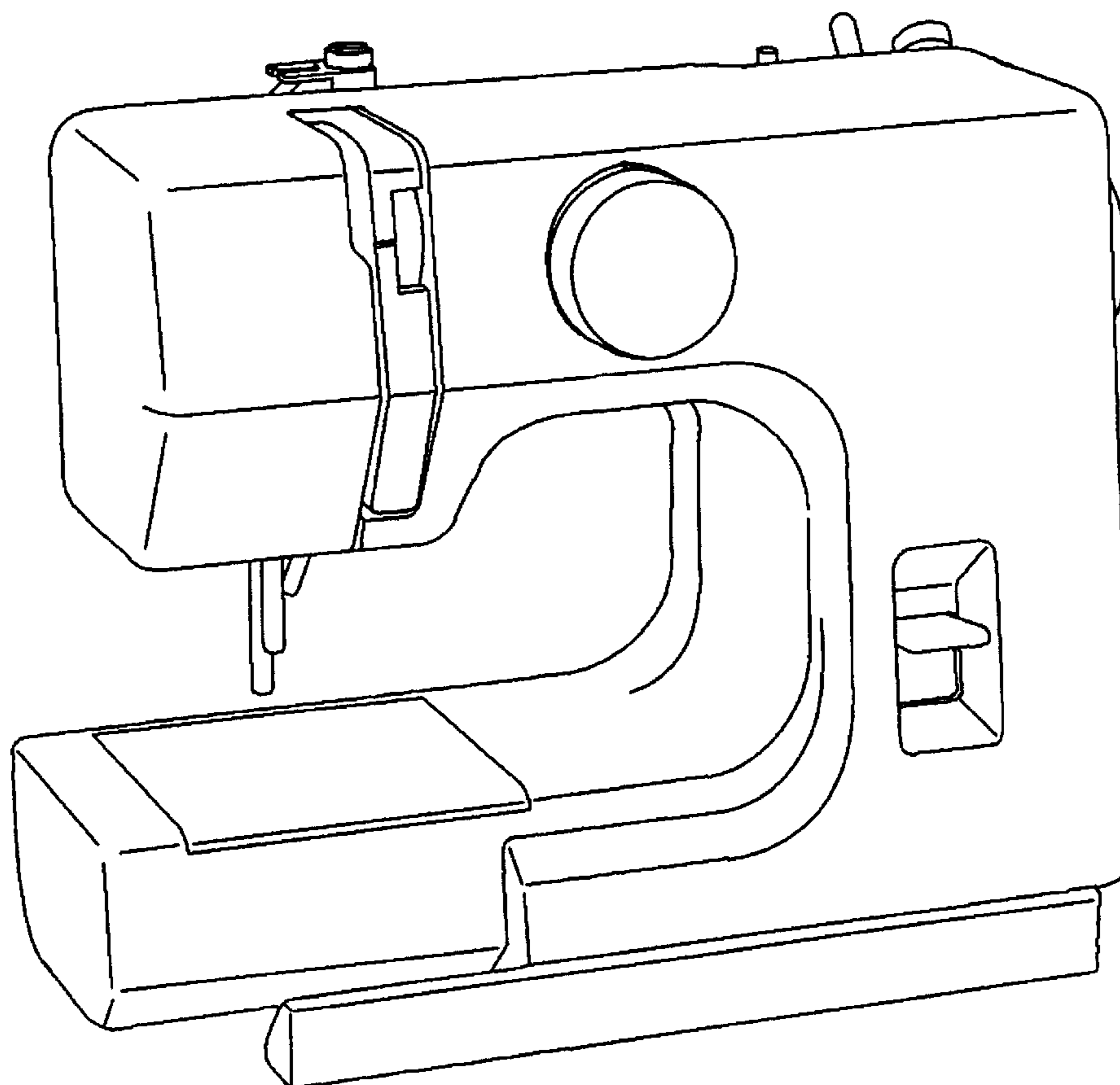


FIG. 1

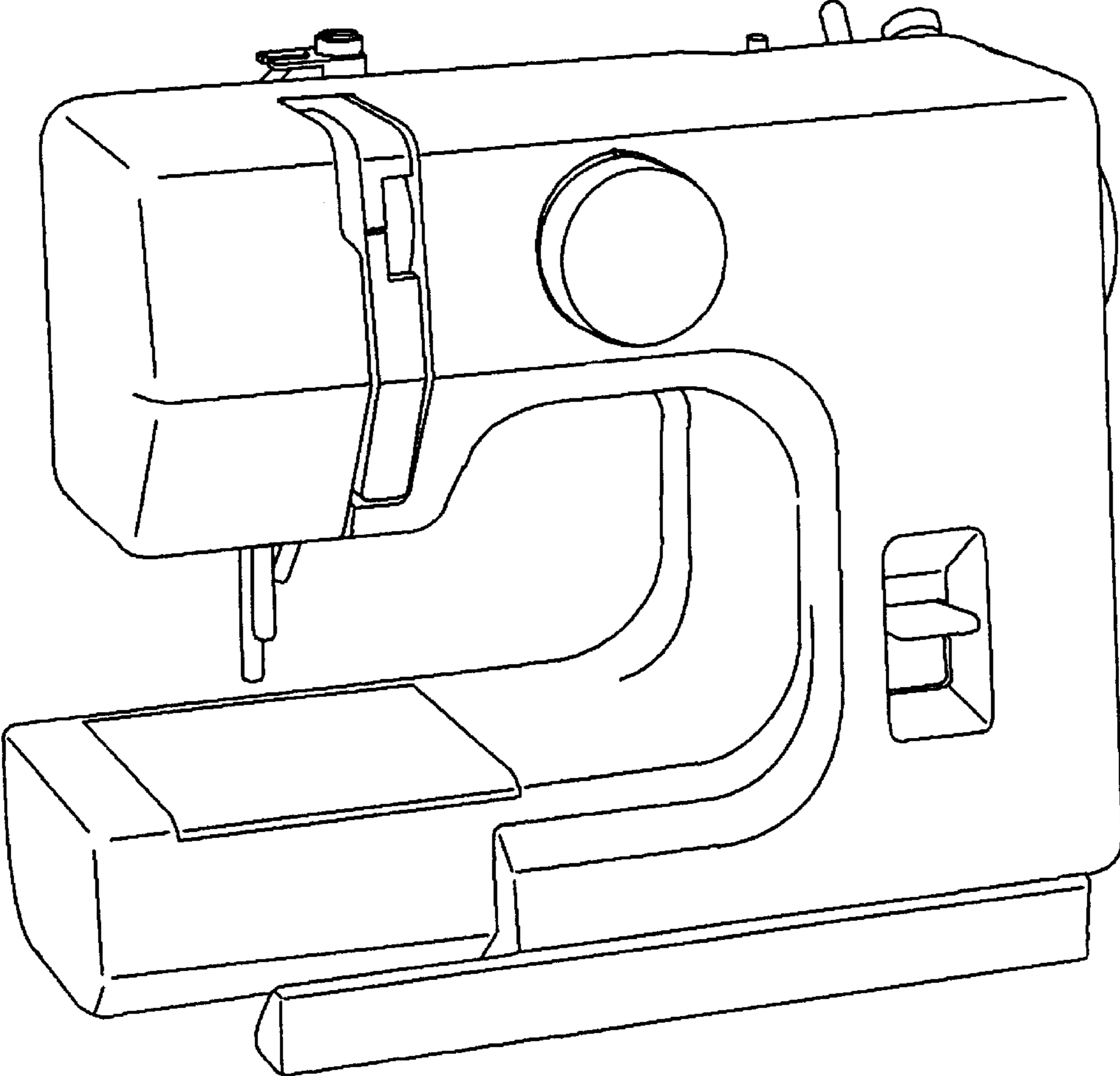


FIG. 2

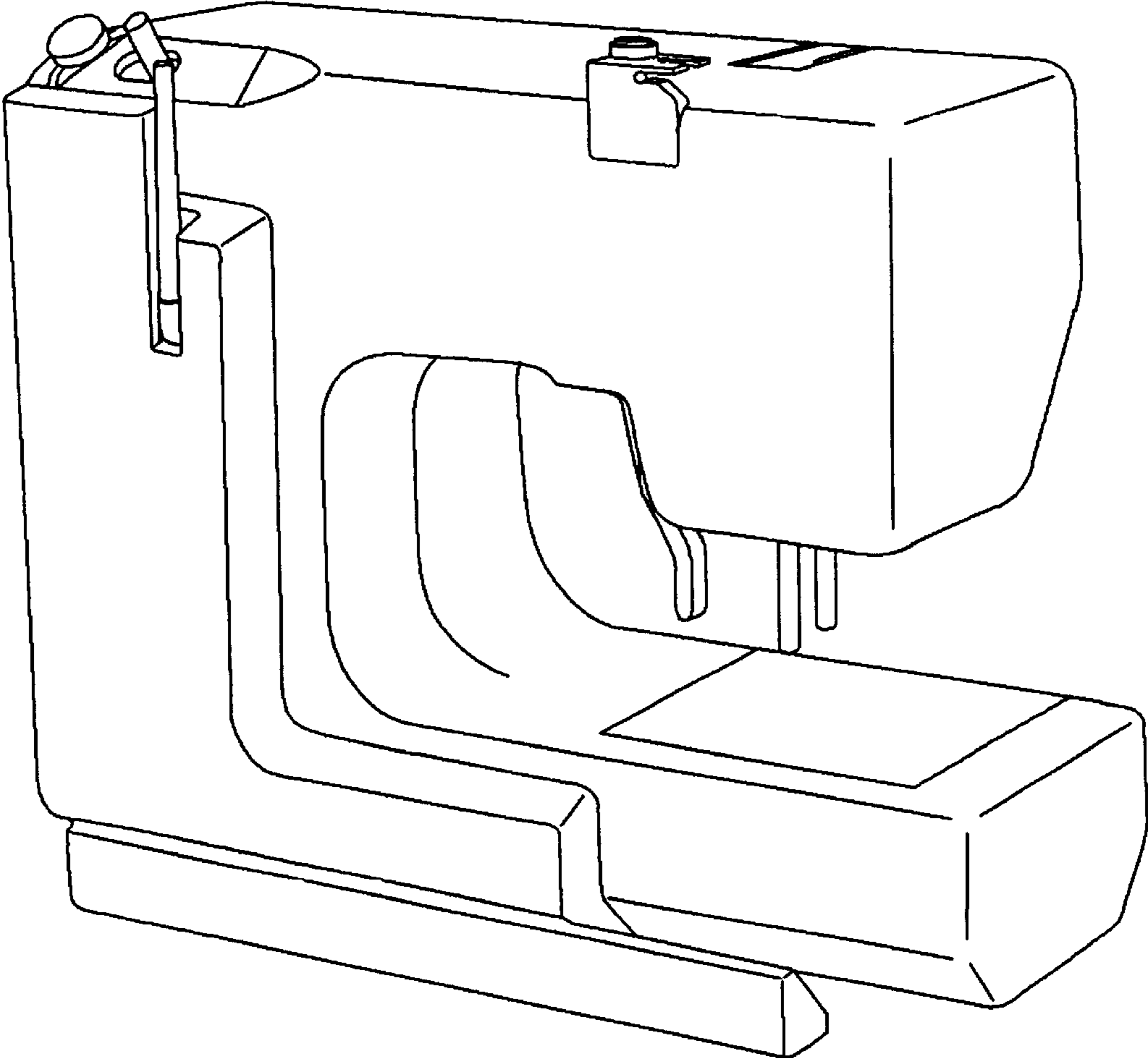


FIG. 3

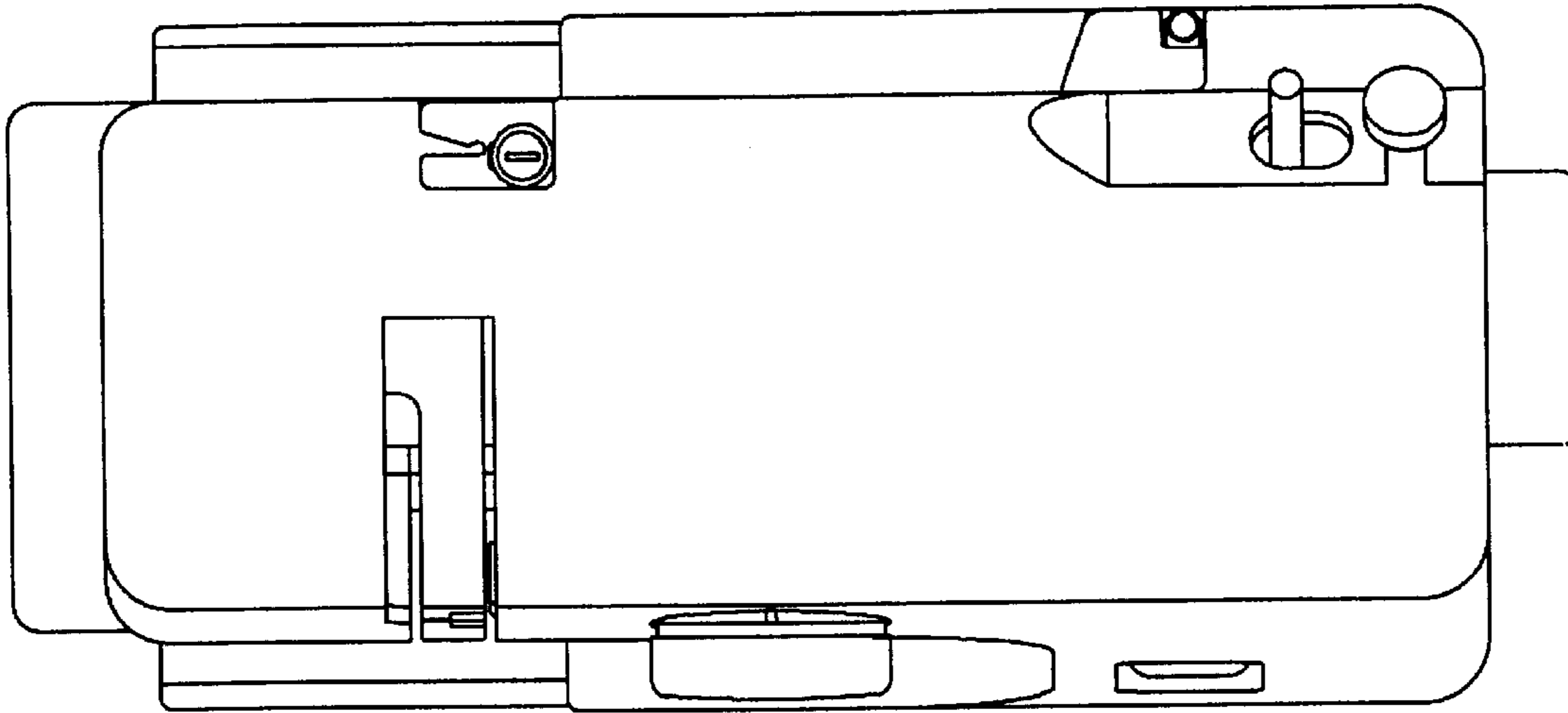


FIG. 4

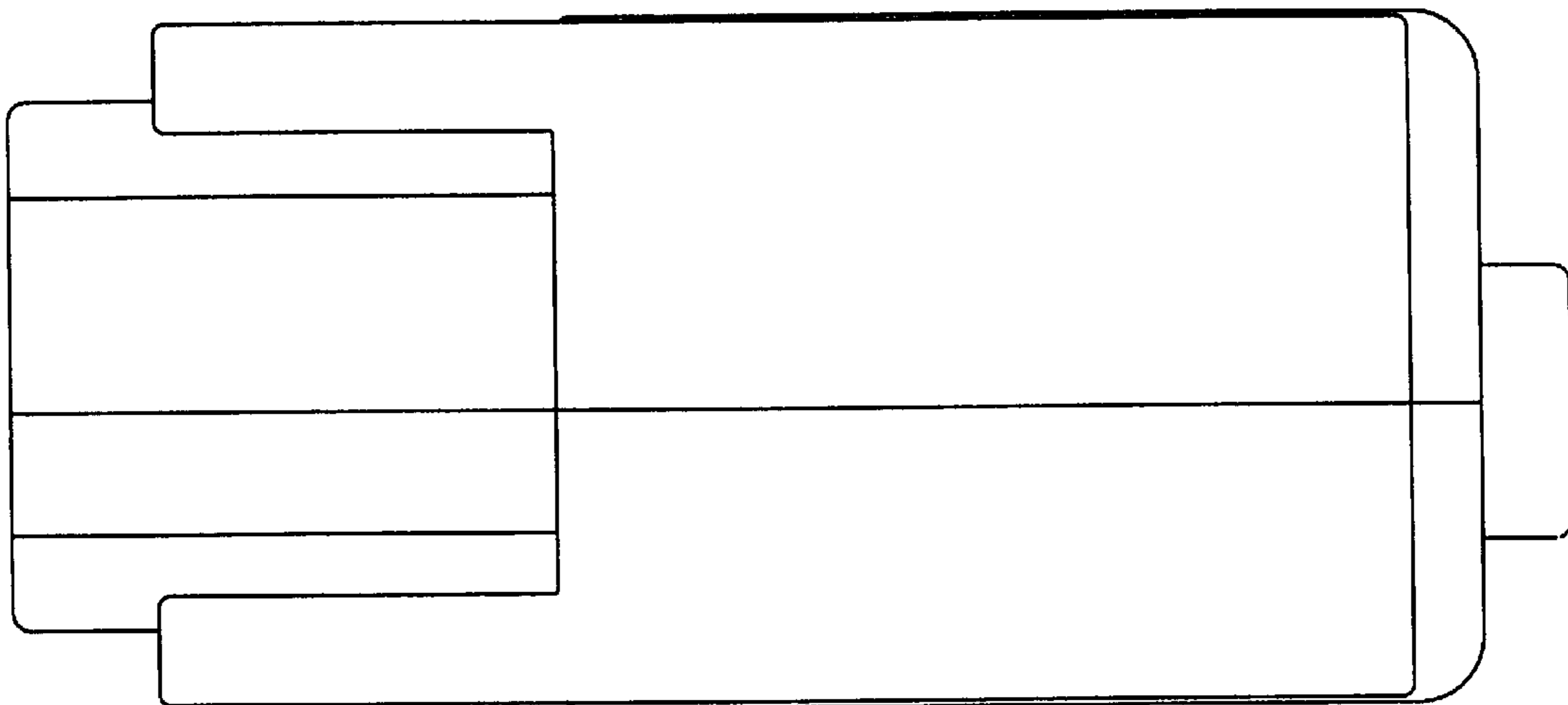


FIG. 5

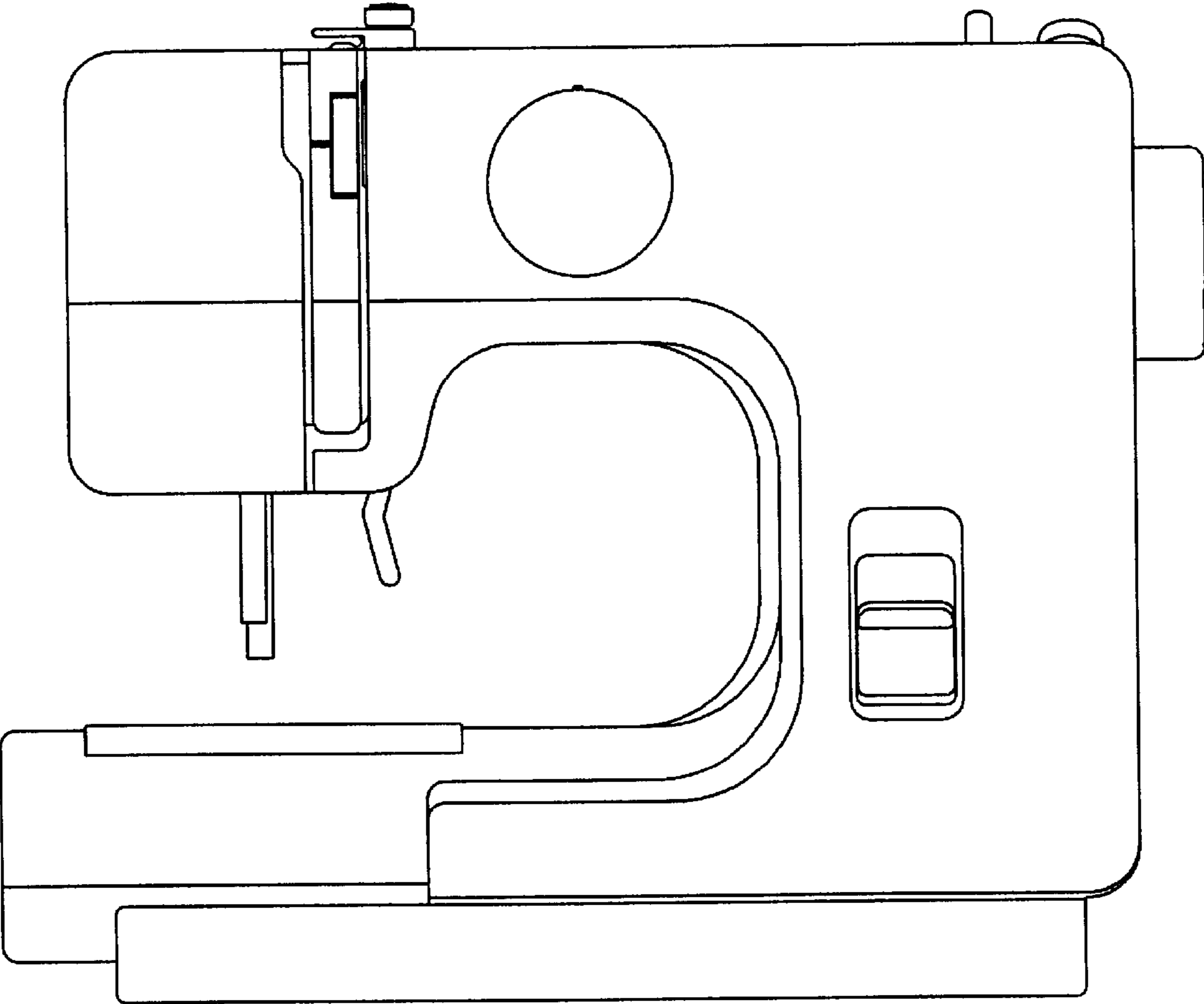


FIG. 6

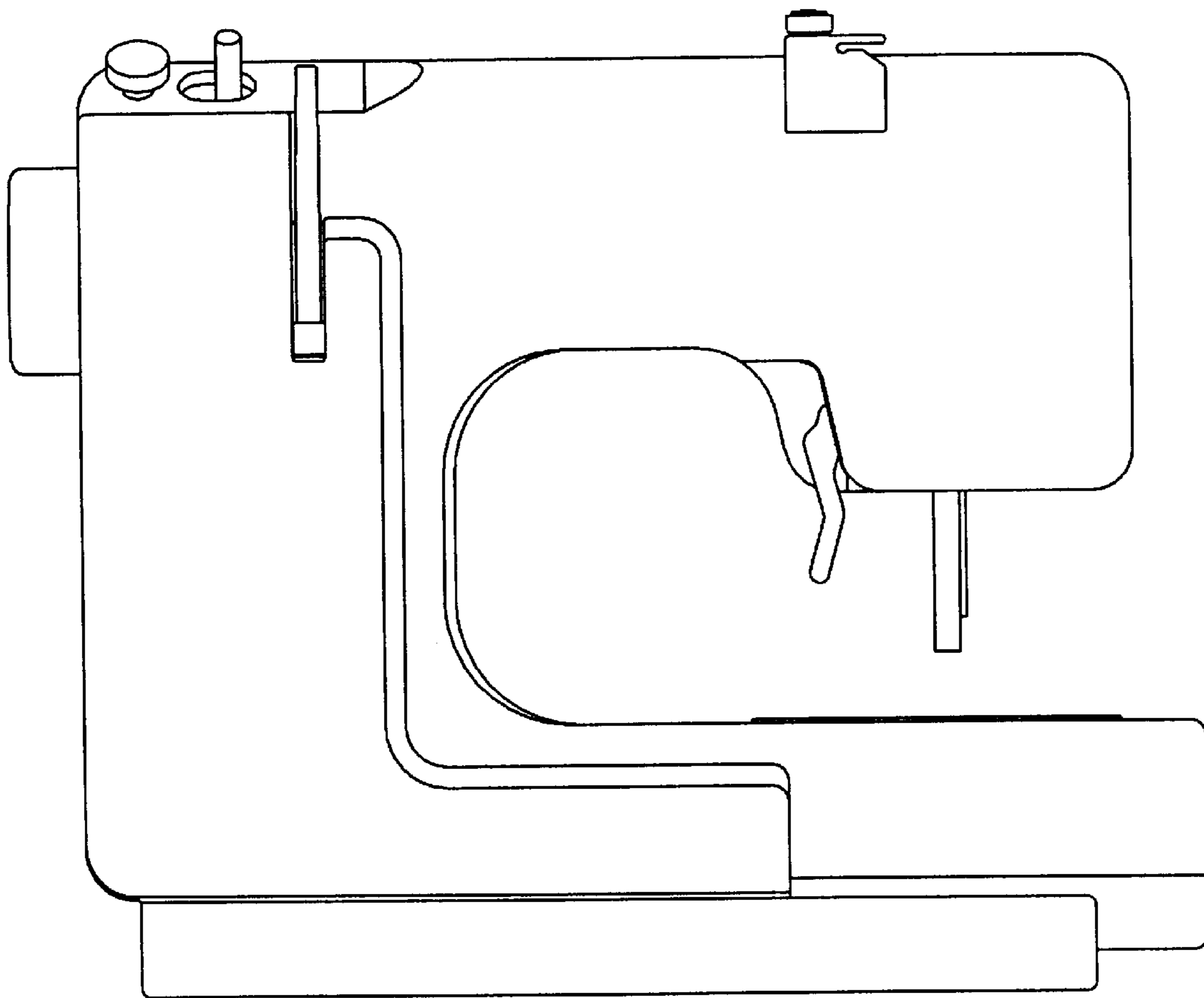


FIG. 7

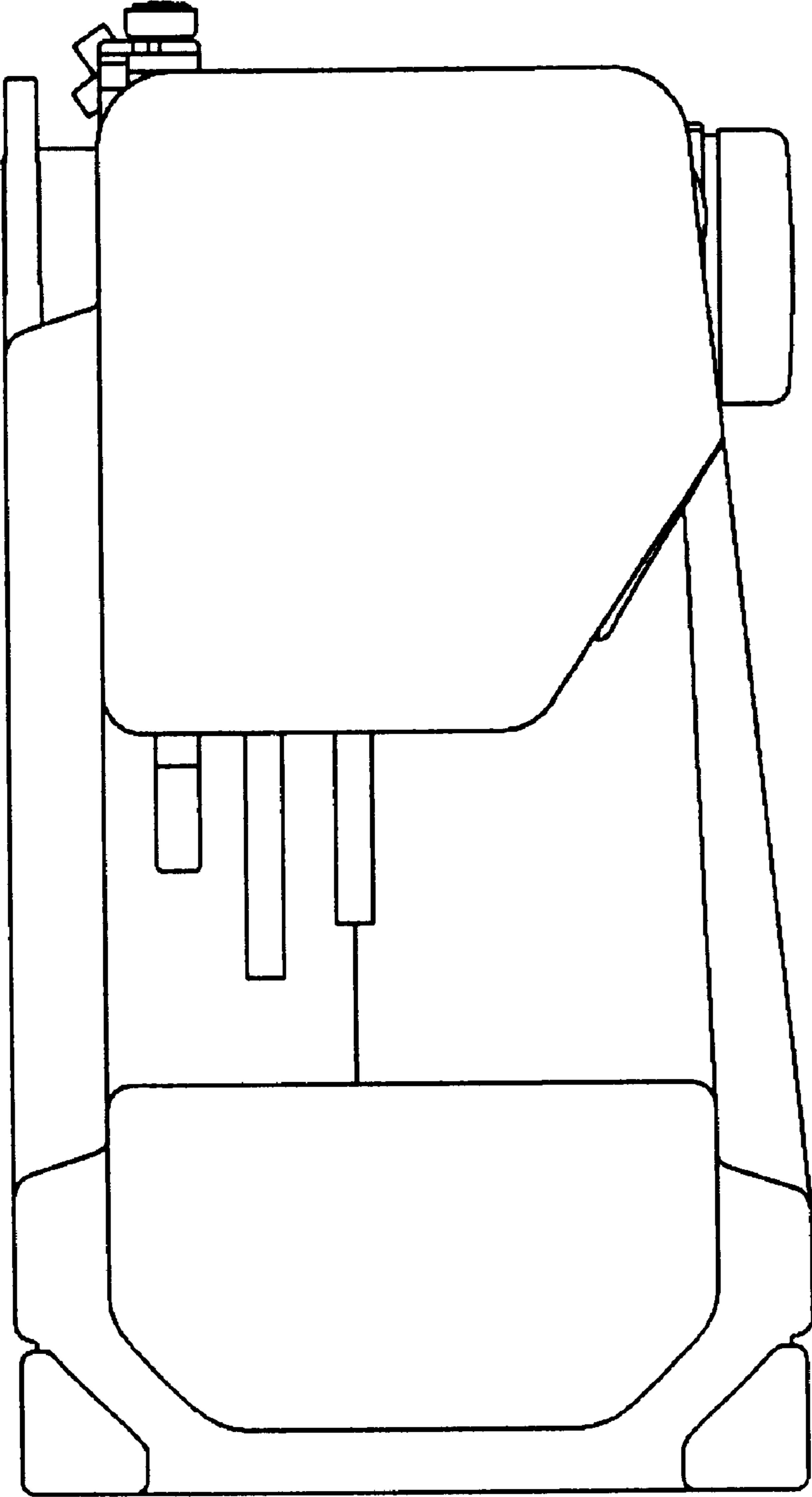


FIG. 8

