



US00D516589S

(12) **United States Design Patent**  
**Katsuyama et al.**

(10) **Patent No.:** **US D516,589 S**  
(45) **Date of Patent:** **\*\* Mar. 7, 2006**

(54) **SEWING MACHINE**

(75) Inventors: **Masayuki Katsuyama**, Toyota (JP);  
**Hiroyasu Hosoi**, Kariya (JP)

(73) Assignee: **Aisin Seiki Kabushiki Kaisha**, Kariya (JP)

(\*\*) Term: **14 Years**

(21) Appl. No.: **29/221,997**

(22) Filed: **Jan. 26, 2005**

(30) **Foreign Application Priority Data**

Oct. 26, 2004 (JP) ..... 2004-032457  
Dec. 28, 2004 (JP) ..... 2004-040258

(51) **LOC (8) Cl.** ..... **15-06**

(52) **U.S. Cl.** ..... **D15/69; D15/70**

(58) **Field of Classification Search** ..... D15/66-78;  
D21/527; 112/2, 63, 154, 217.1, 217.2, 217.3,  
112/217.4, 255-261, 475.01

See application file for complete search history.

(56) **References Cited**

**U.S. PATENT DOCUMENTS**

D366,490 S \* 1/1996 Wu ..... D15/69  
D392,652 S \* 3/1998 Takada et al. .... D15/70  
D403,333 S \* 12/1998 Takada et al. .... D15/70

D430,886 S \* 9/2000 Yamamoto ..... D15/69  
D450,720 S \* 11/2001 Kuroki ..... D15/69  
D504,692 S \* 5/2005 Kuroki ..... D15/69

\* cited by examiner

*Primary Examiner*—Mitchell Siegel

*Assistant Examiner*—Shanda C. Hill

(74) *Attorney, Agent, or Firm*—Buchanan Ingersoll PC

(57) **CLAIM**

The ornamental design for a sewing machine, as shown and described.

**DESCRIPTION**

FIG. 1 is a perspective view of a sewing machine showing our new design;

FIG. 2 is another perspective view thereof;

FIG. 3 is a front elevational view thereof;

FIG. 4 is a rear elevational view thereof;

FIG. 5 is a top plan view thereof;

FIG. 6 is a bottom plan view thereof;

FIG. 7 is a right side elevational view thereof;

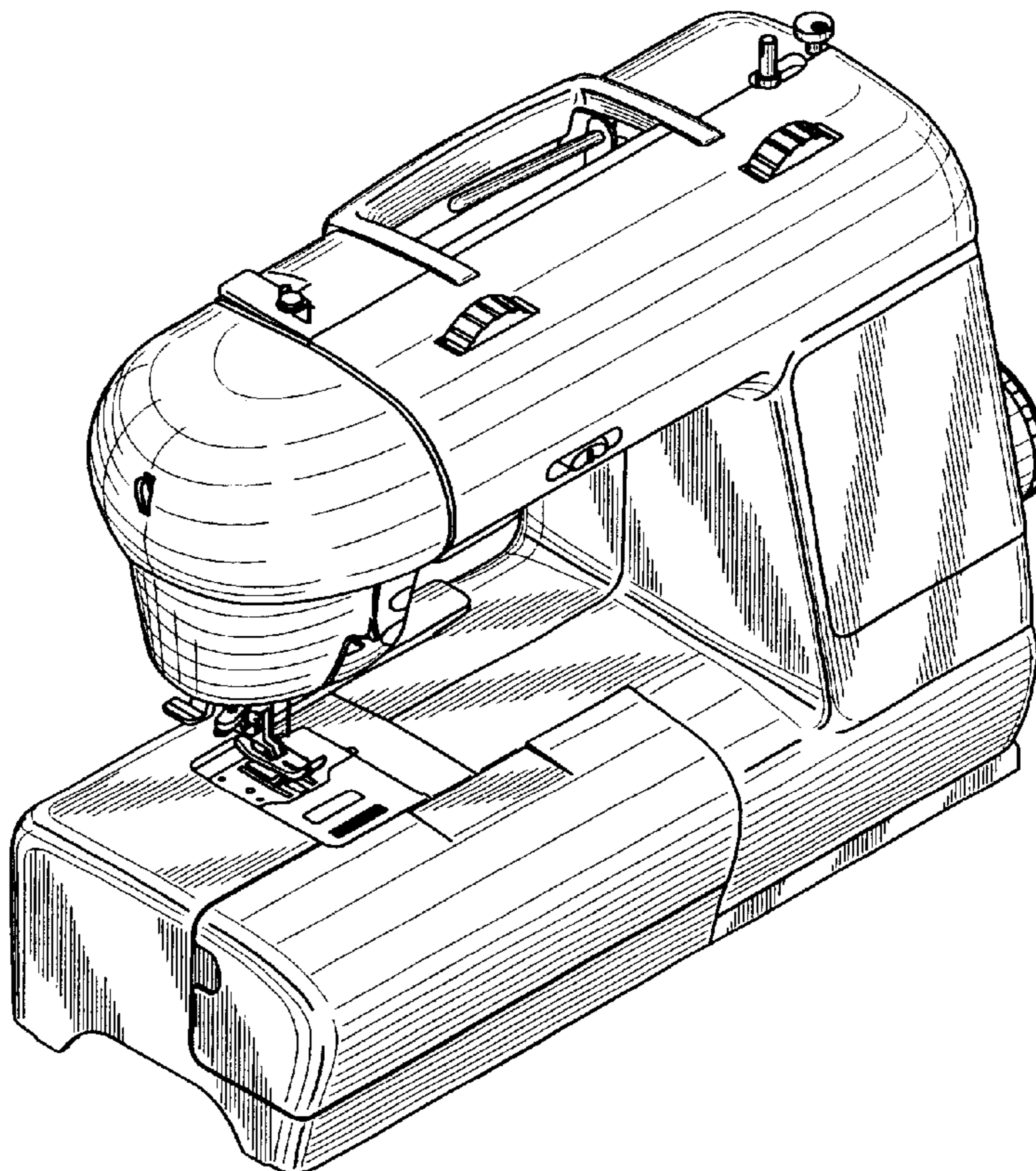
FIG. 8 is a left side elevational view thereof;

FIG. 9 is a perspective view showing the sewing machine with the removable bed extended;

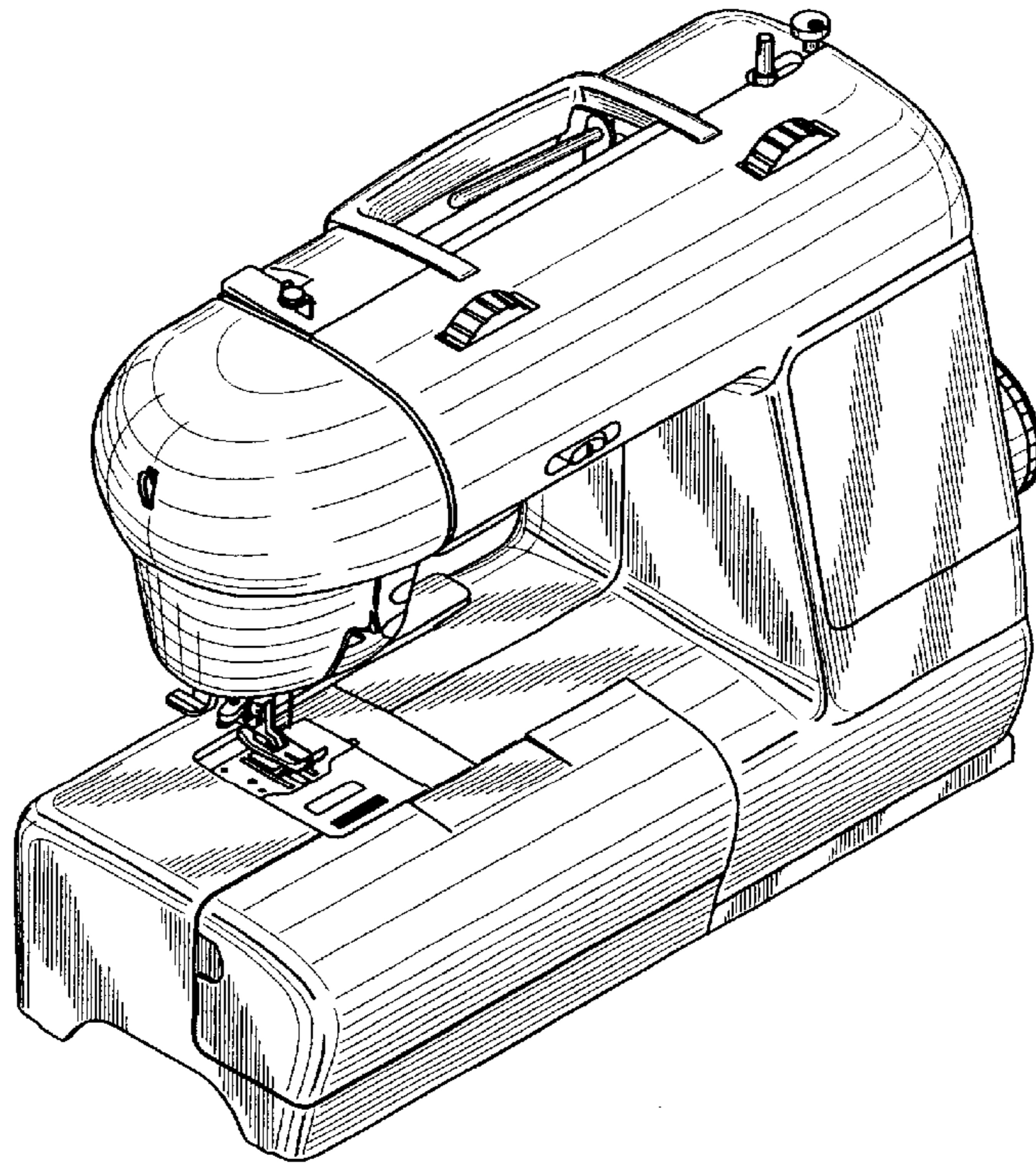
FIG. 10 is a front view of FIG. 9; and,

FIG. 11 is an exploded perspective view thereof.

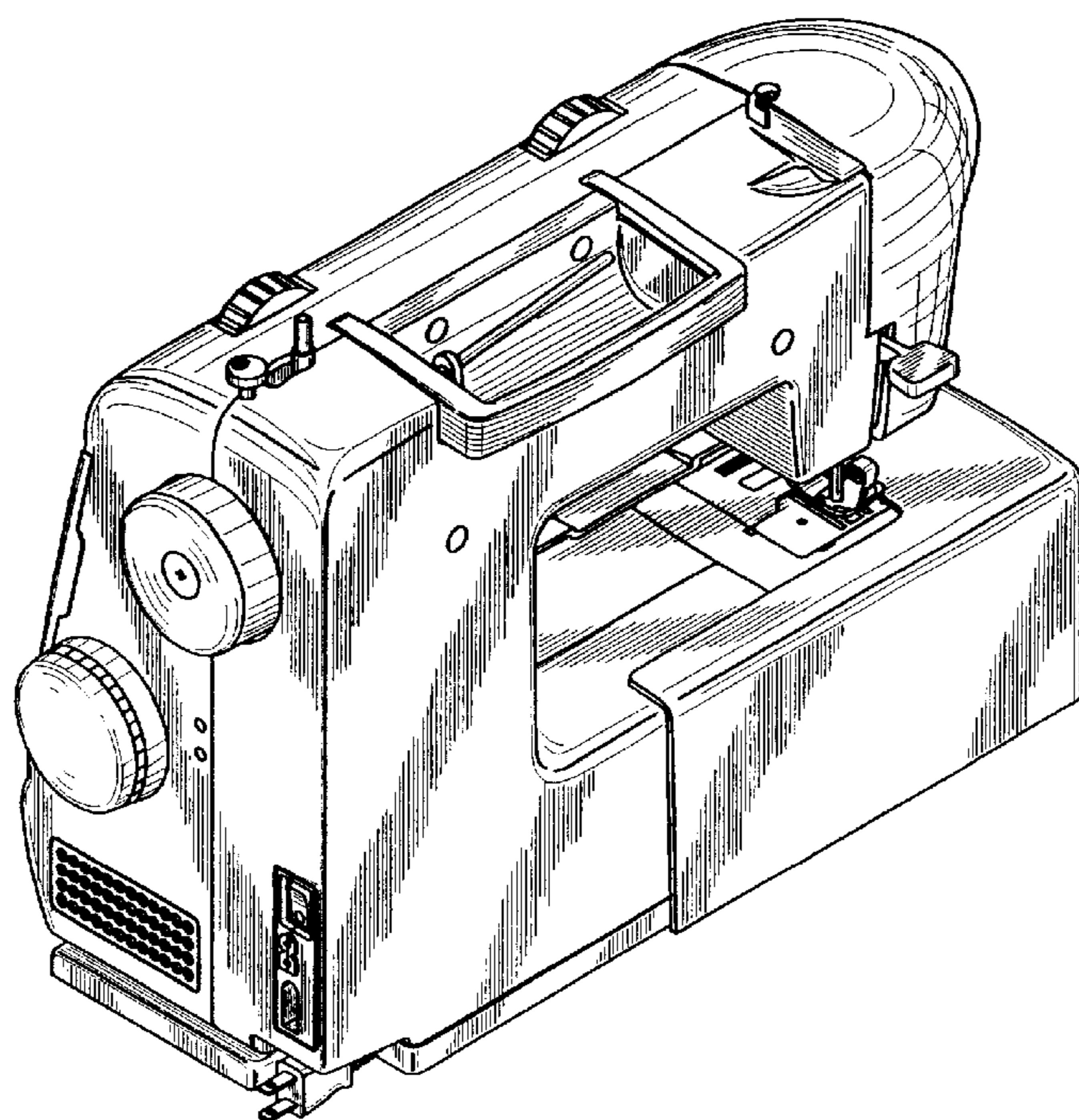
**1 Claim, 5 Drawing Sheets**



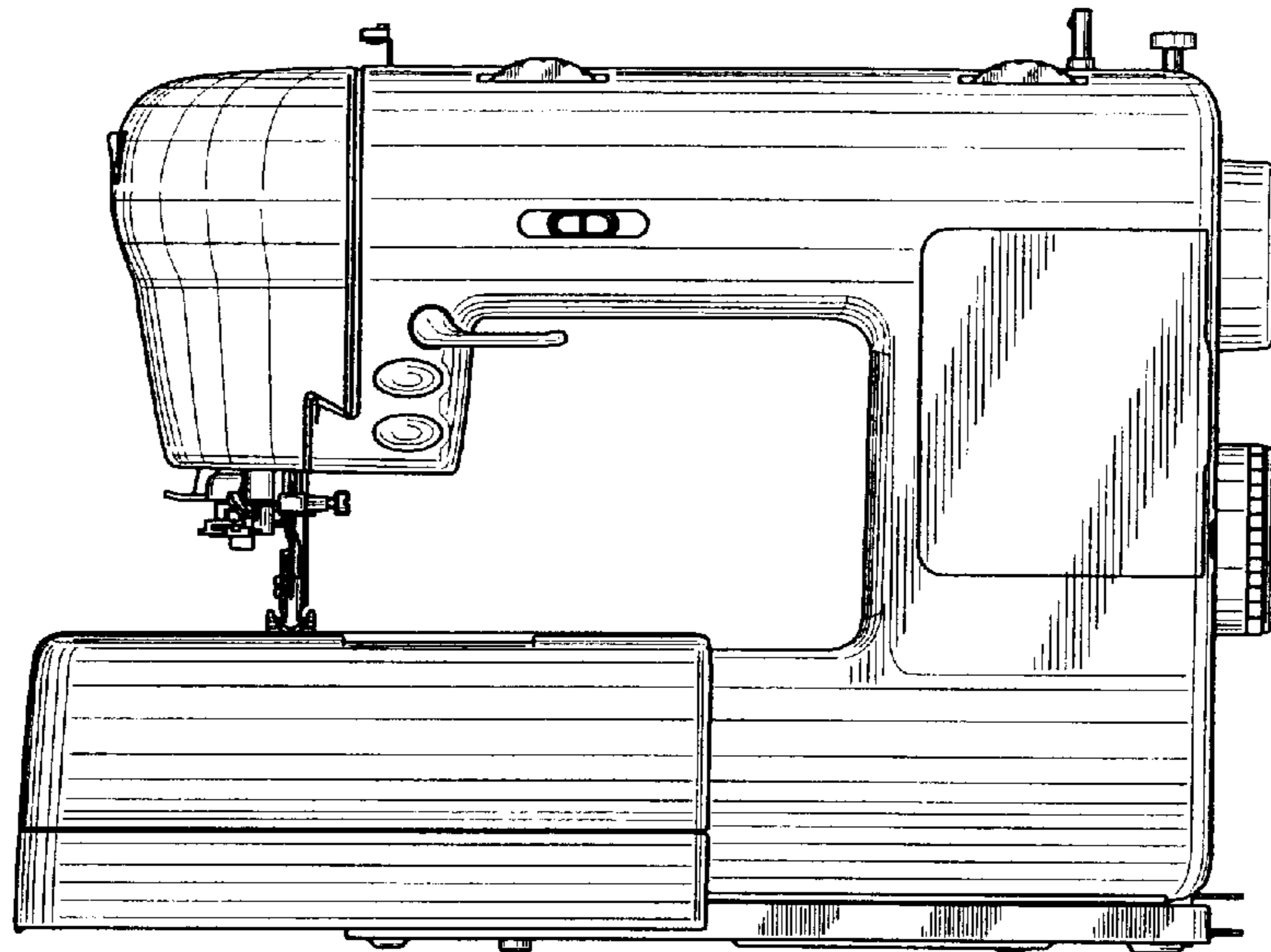
**FIG. 1**



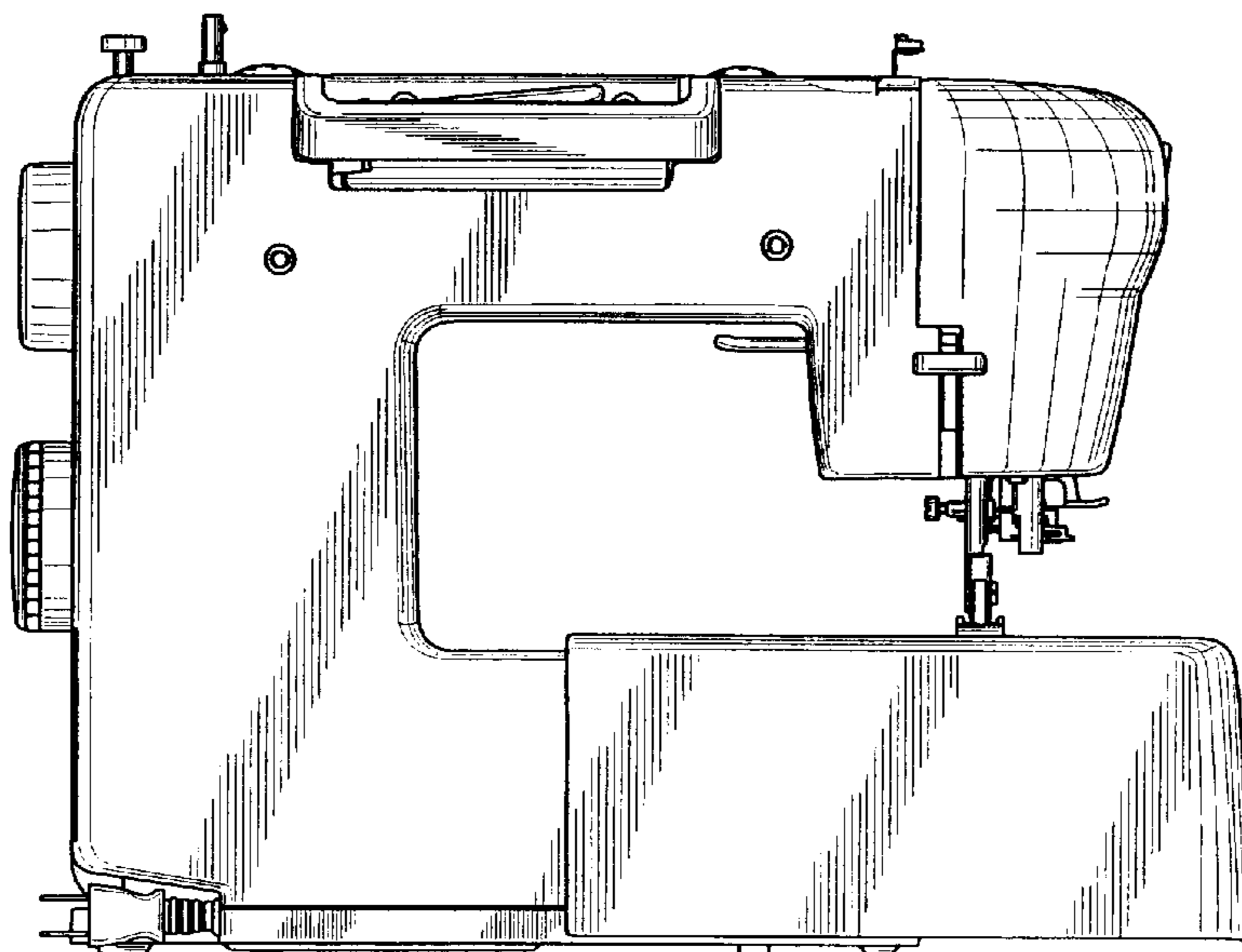
**FIG. 2**



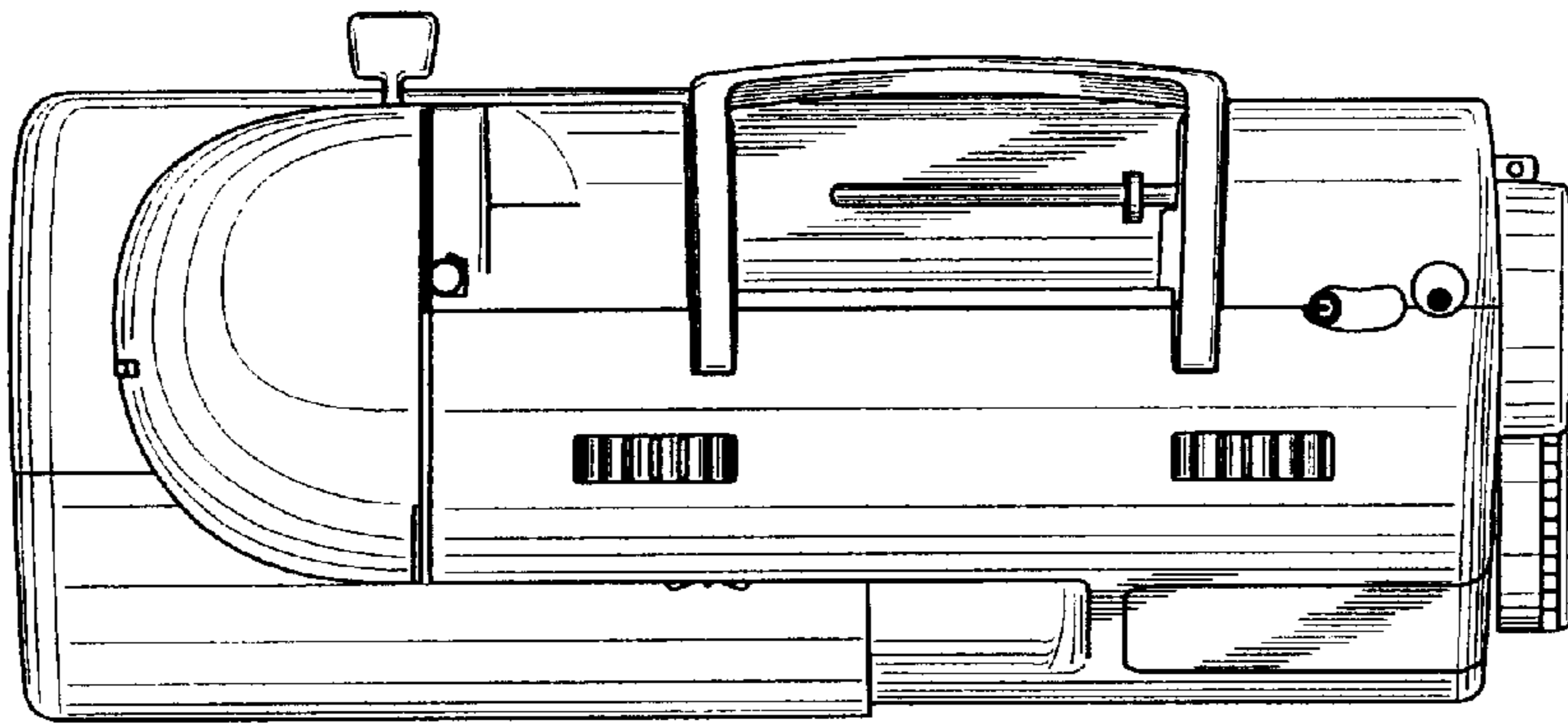
**FIG. 3**



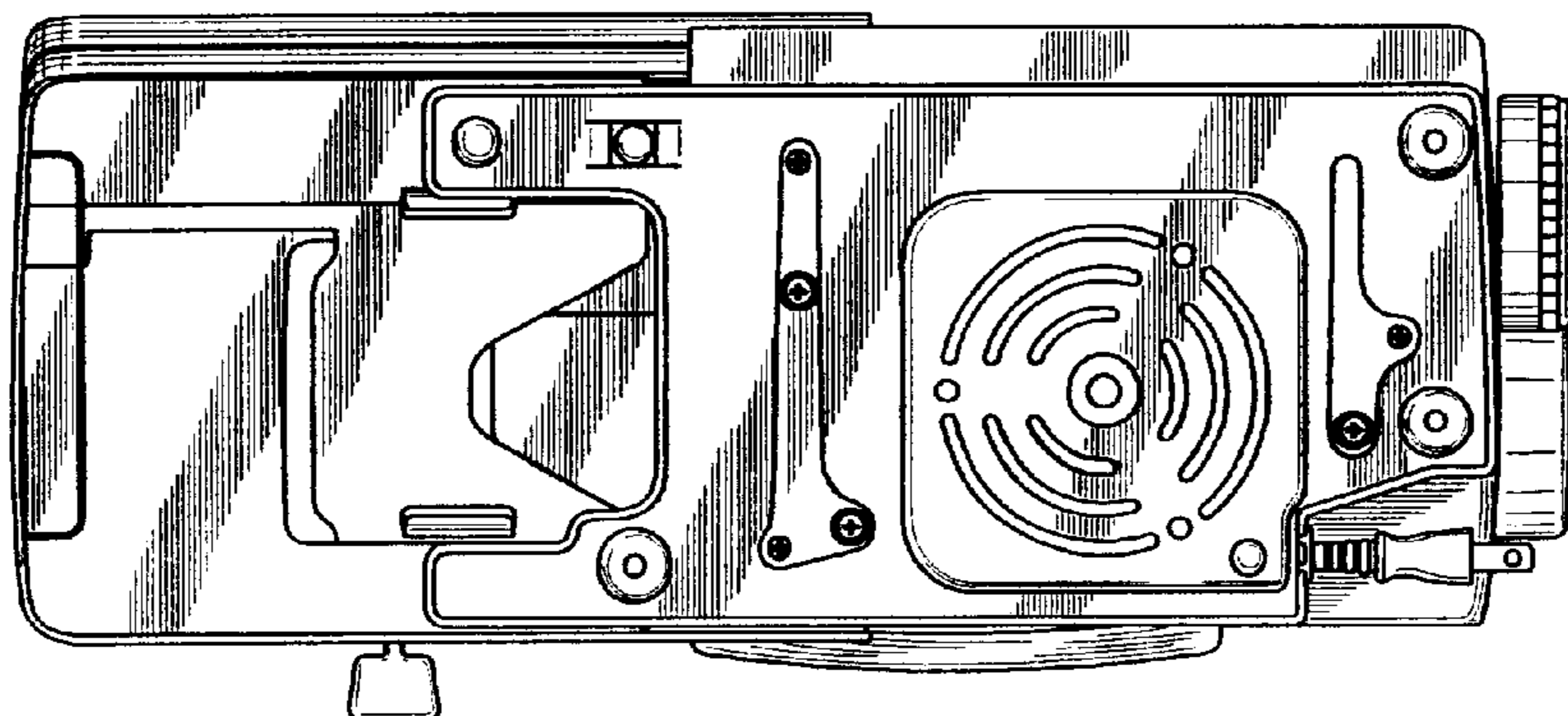
**FIG. 4**



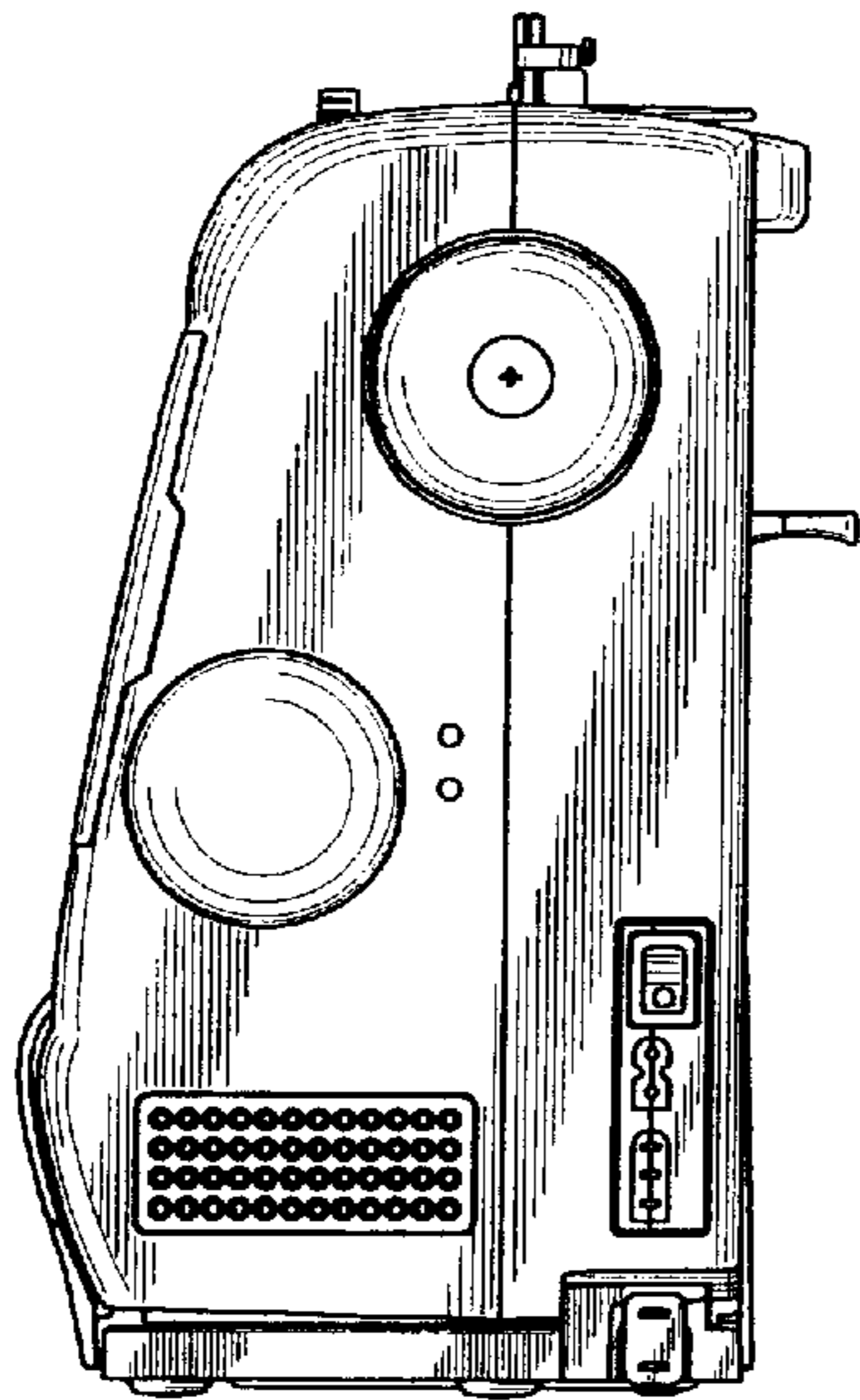
**FIG. 5**



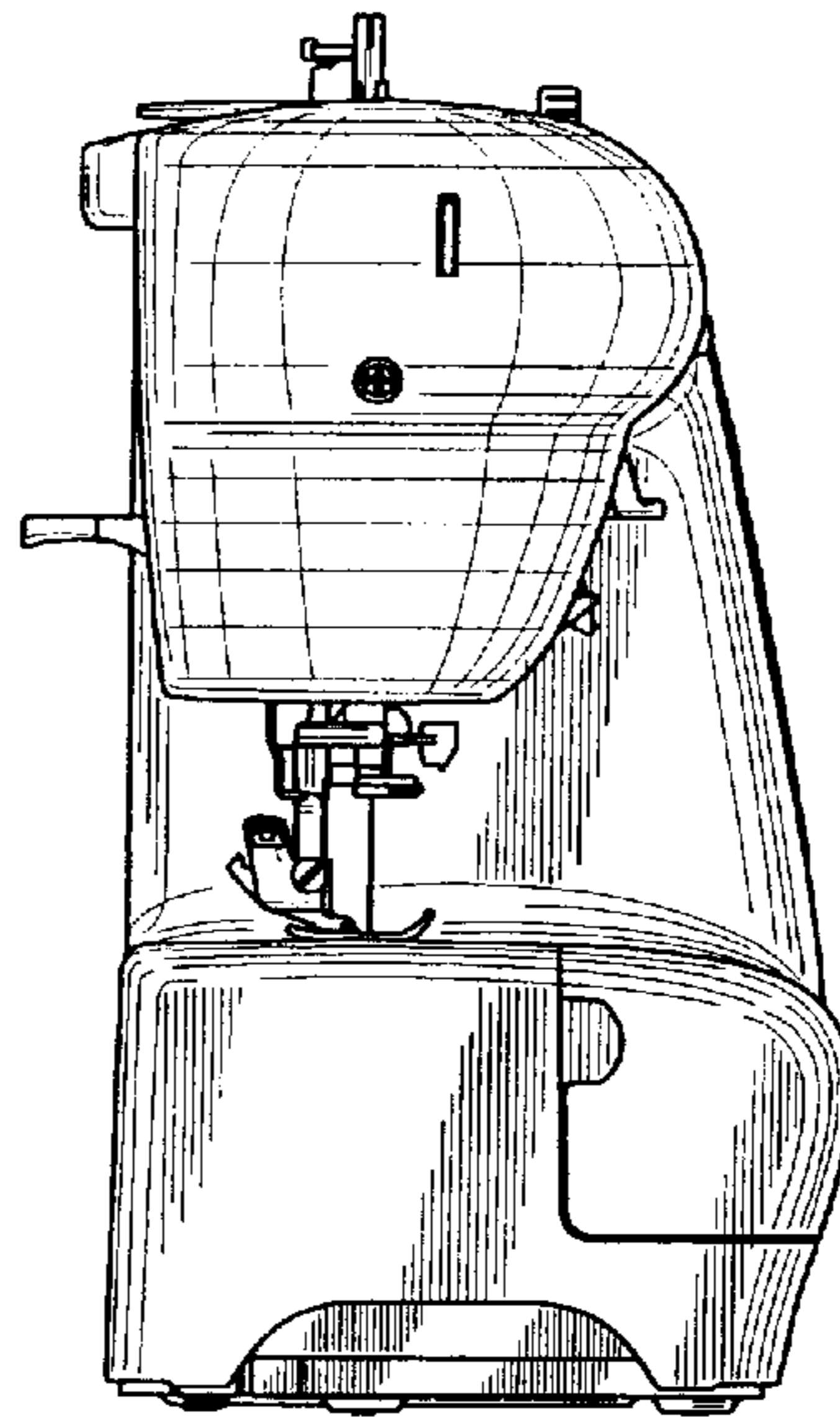
**FIG. 6**



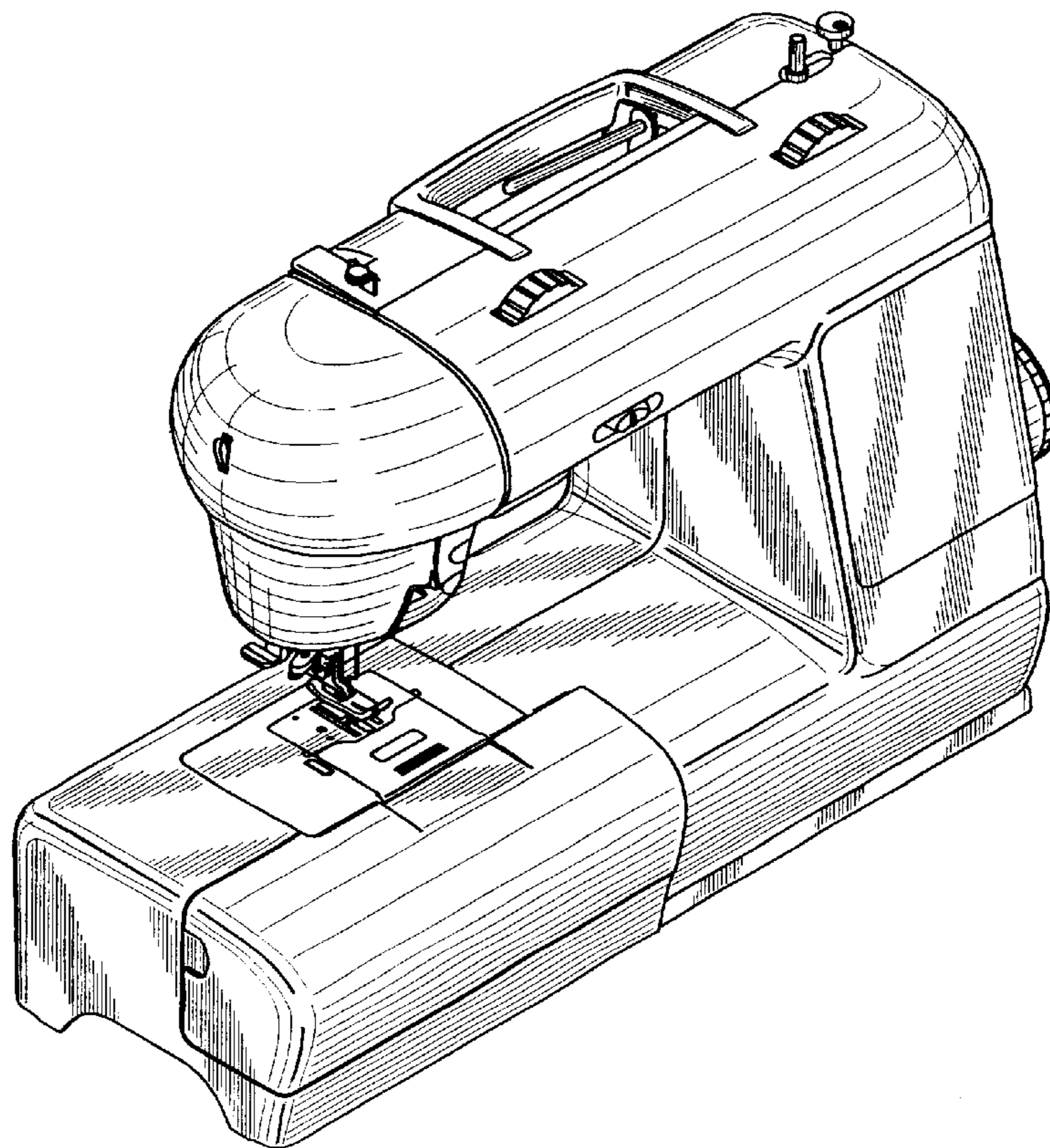
*FIG. 7*



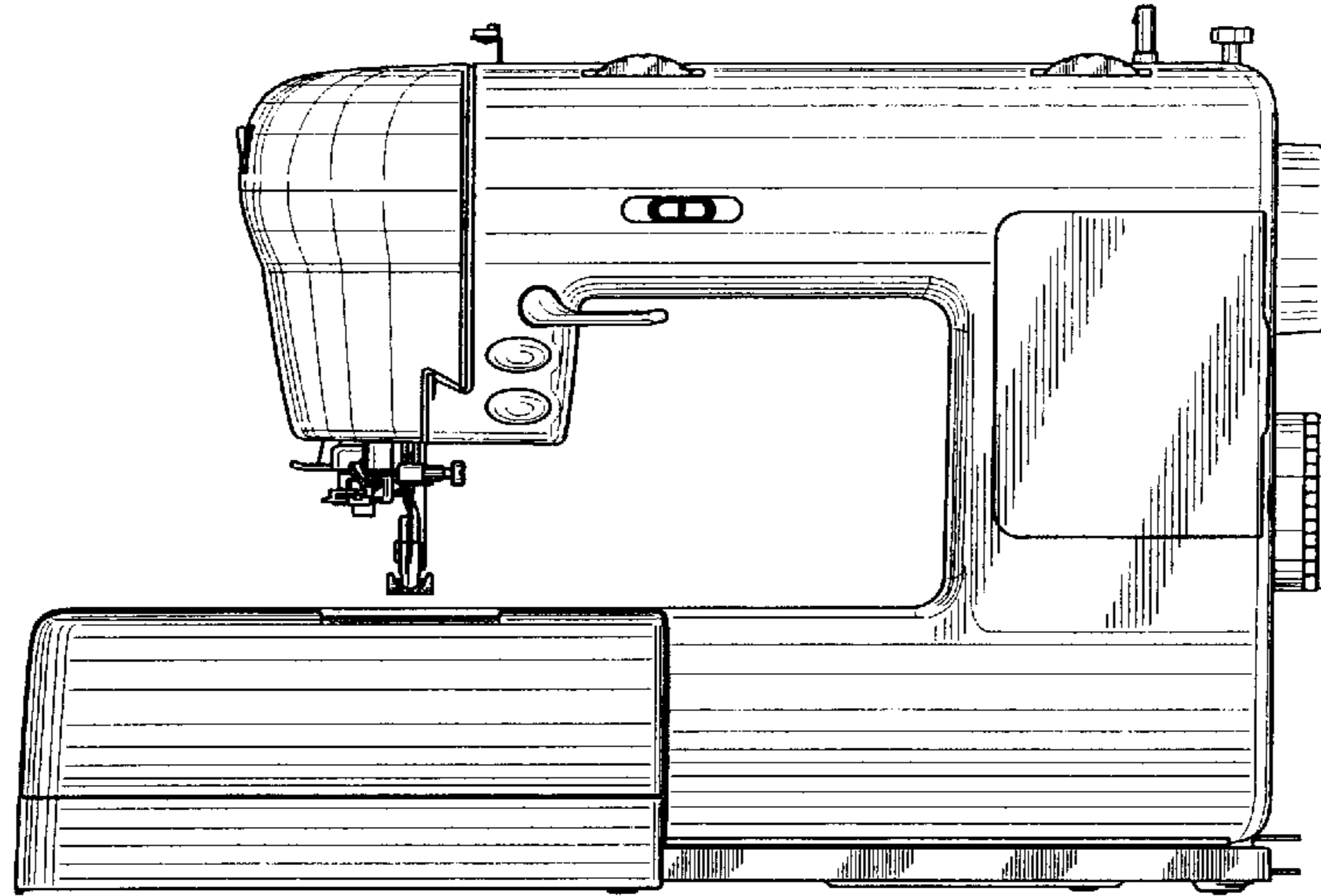
*FIG. 8*



*FIG. 9*



**FIG. 10**



**FIG. 11**

