



US00D516588S

(12) **United States Design Patent**
Higashikawa

(10) **Patent No.:** **US D516,588 S**
(45) **Date of Patent:** **** Mar. 7, 2006**

(54) **FENDER PORTION OF AN AGRICULTURAL TRACTOR**

(75) Inventor: **Yoshitaka Higashikawa, Sakai (JP)**

(73) Assignee: **Kubota Corporation, Osaka (JP)**

(**) Term: **14 Years**

(21) Appl. No.: **29/212,327**

(22) Filed: **Aug. 30, 2004**

(30) **Foreign Application Priority Data**

Mar. 30, 2004 (JP) 2004-9723

(51) **LOC (8) Cl.** **15-03**

(52) **U.S. Cl.** **D15/28**

(58) **Field of Classification Search** D15/10,
D15/15, 17, 22-26, 28, 31, 33; 180/68.1,
180/900, 69.21, 69.22, 69.23, 69.24, 69.25,
180/89.1, 69.2, 89.12, 89.19, 273, 68.6; 56/13.3,
56/15.9, 16.1, 16.7, 17.4, 202, 255, 320.1,
56/13.4, 15.8, 294, 320.2

See application file for complete search history.

(56) **References Cited**

U.S. PATENT DOCUMENTS

D326,660 S * 6/1992 Flenniken et al. D15/17

D326,661 S * 6/1992 Flenniken et al. D15/17
D422,606 S * 4/2000 Katoh et al. D15/23
D440,233 S * 4/2001 Smith D15/17
D441,769 S * 5/2001 Surridge D15/17
D448,036 S * 9/2001 Goebert et al. D15/17
D484,894 S * 1/2004 McCord et al. D15/28
D493,472 S * 7/2004 Higashikawa et al. D15/28

* cited by examiner

Primary Examiner—Mitchell Siegel

Assistant Examiner—Mark A. Goodwin

(74) *Attorney, Agent, or Firm*—The Webb Law Firm

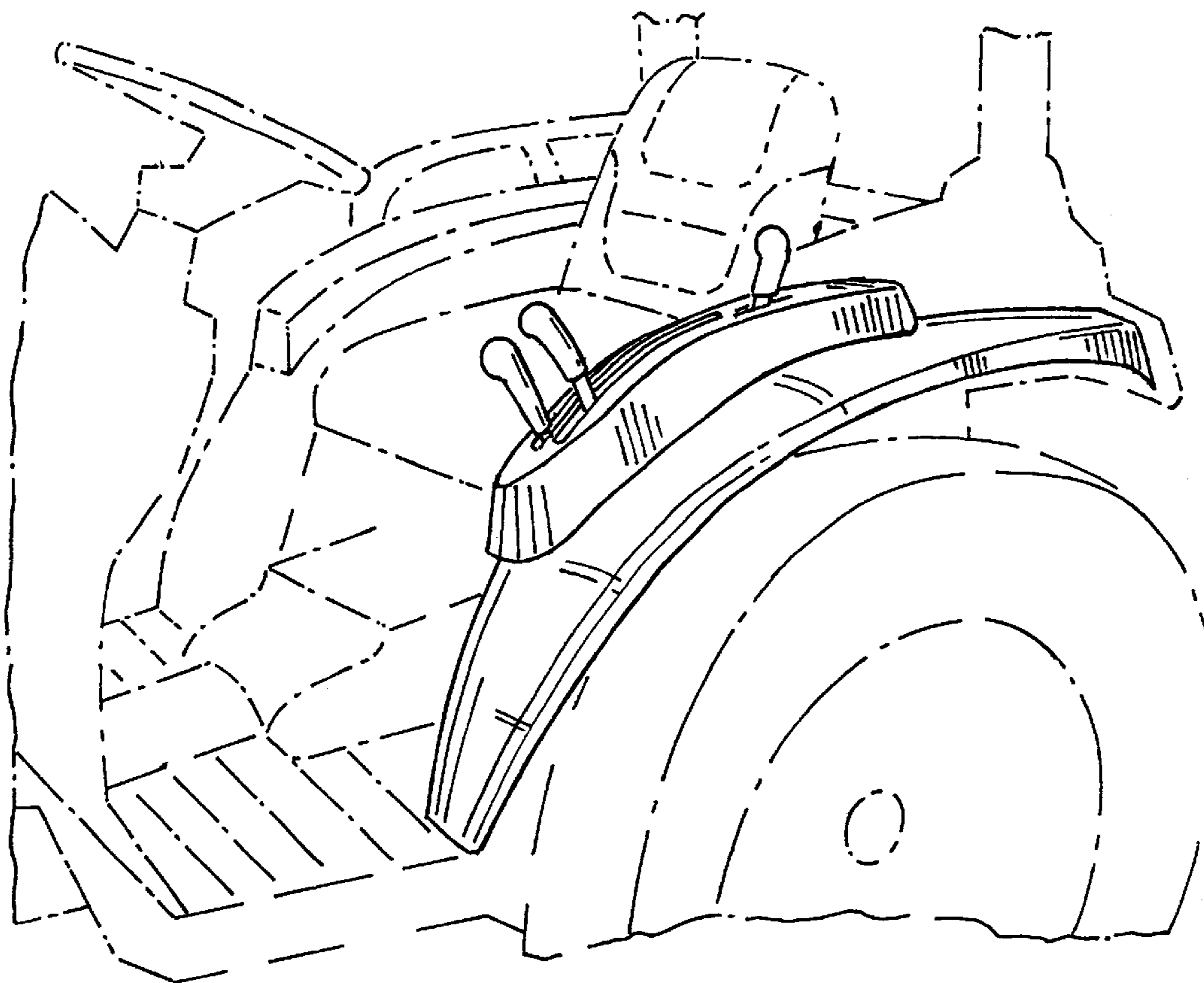
(57) **CLAIM**

The ornamental design for a fender portion of an agricultural tractor, as shown and described.

DESCRIPTION

FIG. 1 is a perspective view looking at the front and top of a fender portion of an agricultural tractor;
FIG. 2 is a perspective view looking at the top thereof;
FIG. 3 is a side view looking at the right side thereof;
FIG. 4 is a side view looking at the left side thereof; and,
FIG. 5 is a perspective view looking at the right side thereof. Broken-line illustrations in the drawings are intended to represent the environment of the subject invention and are not part of the design sought to be patented.

1 Claim, 3 Drawing Sheets



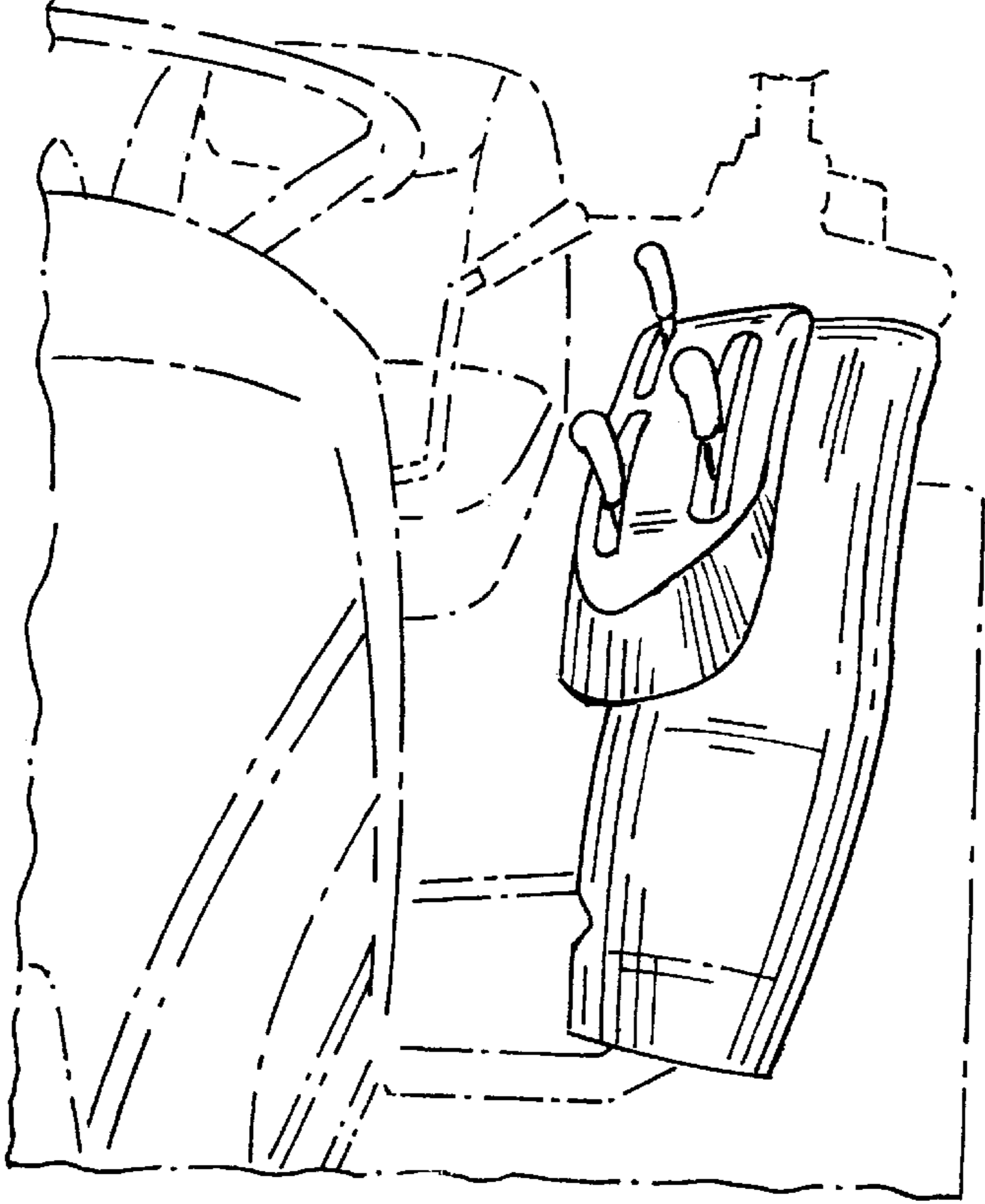


FIG. 1

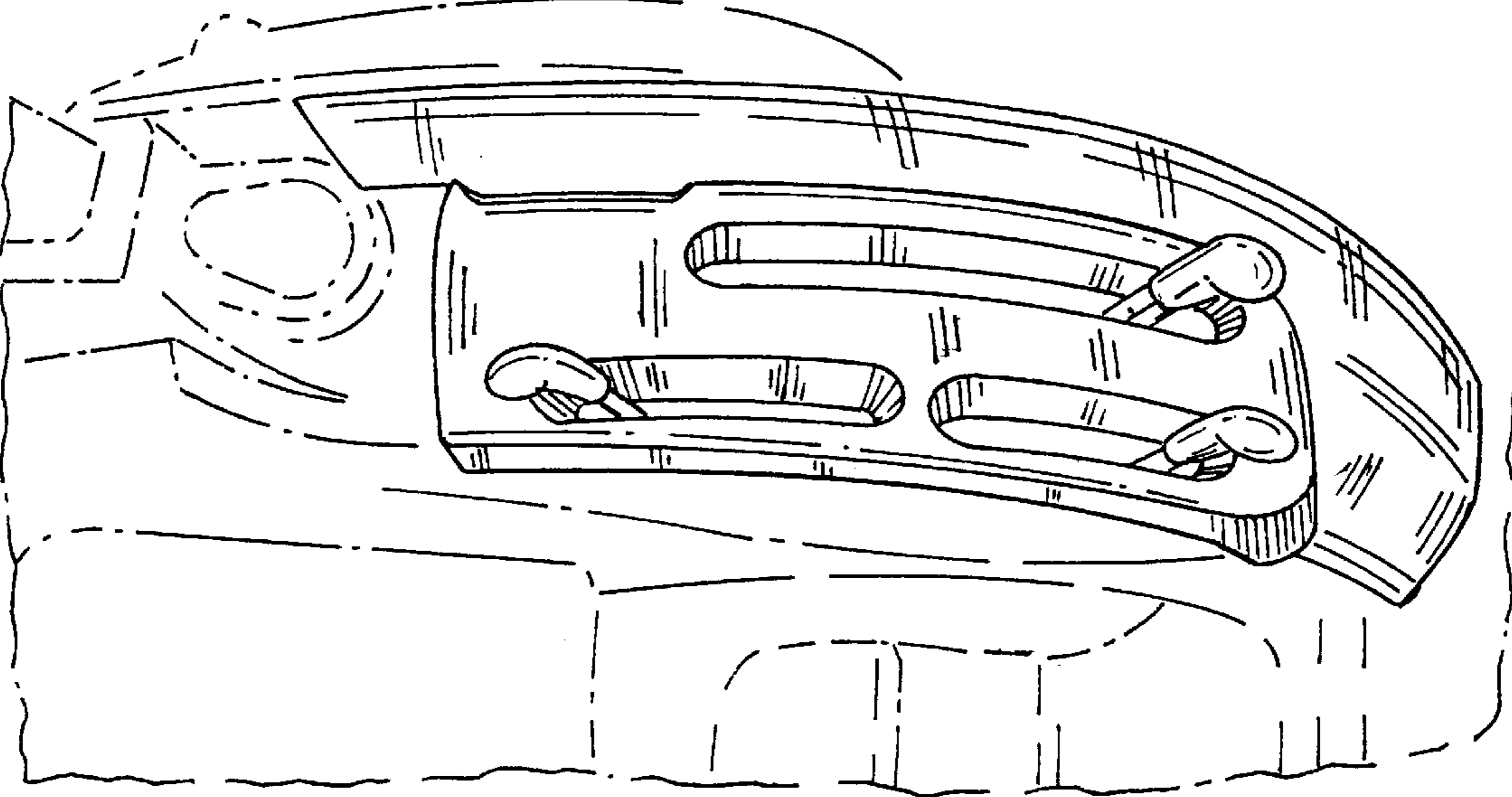


FIG. 2

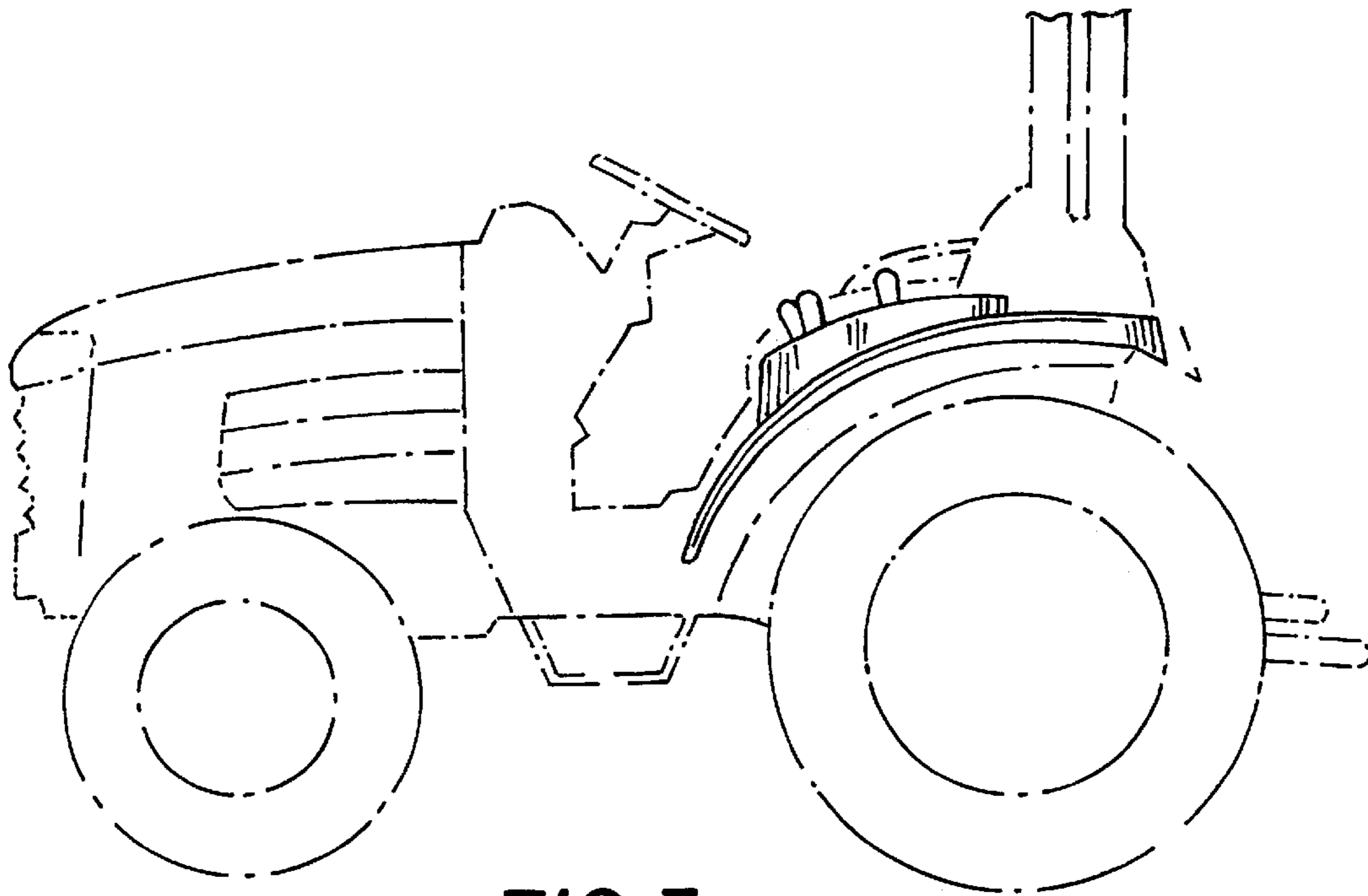


FIG. 3

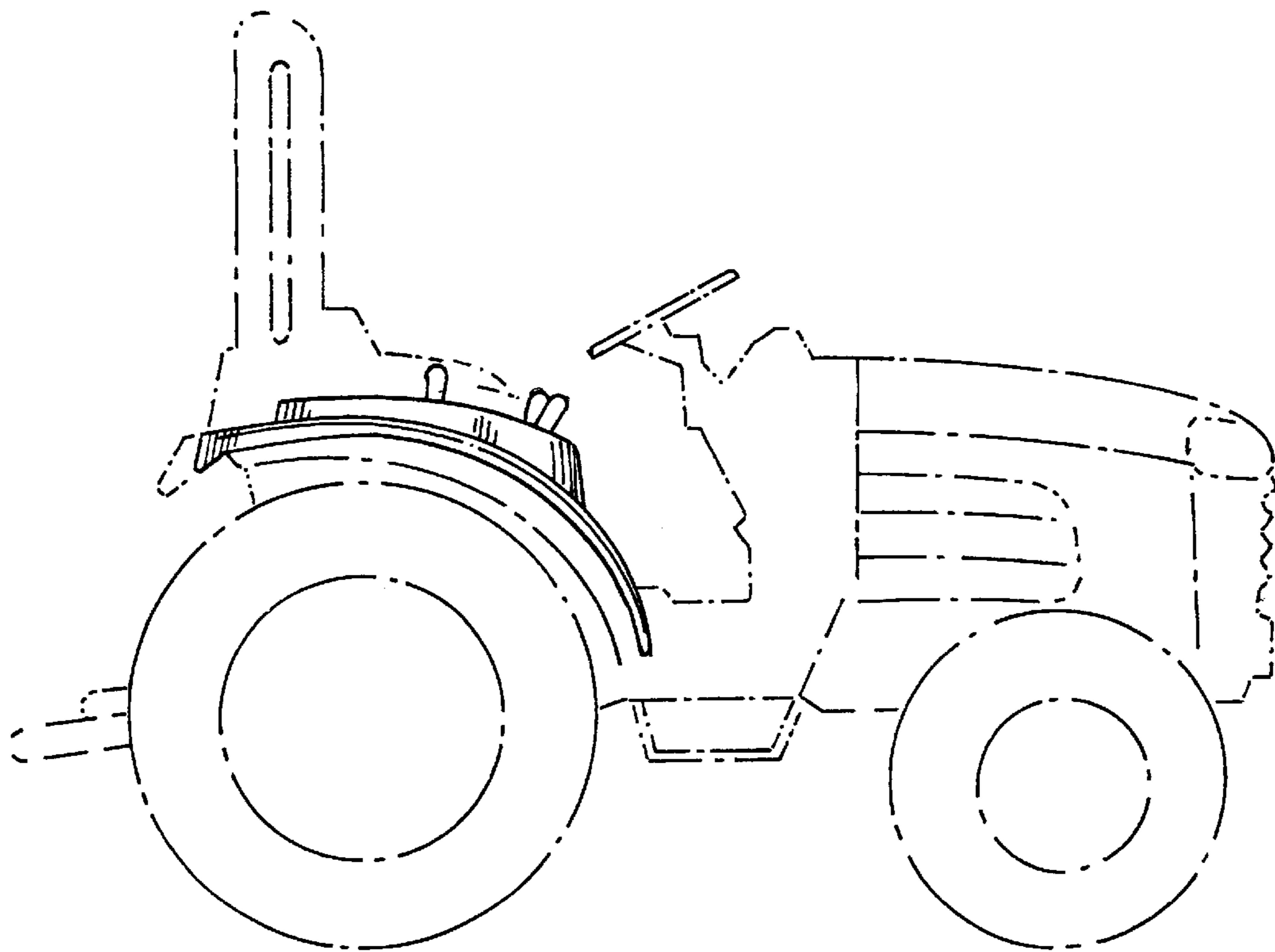


FIG. 4

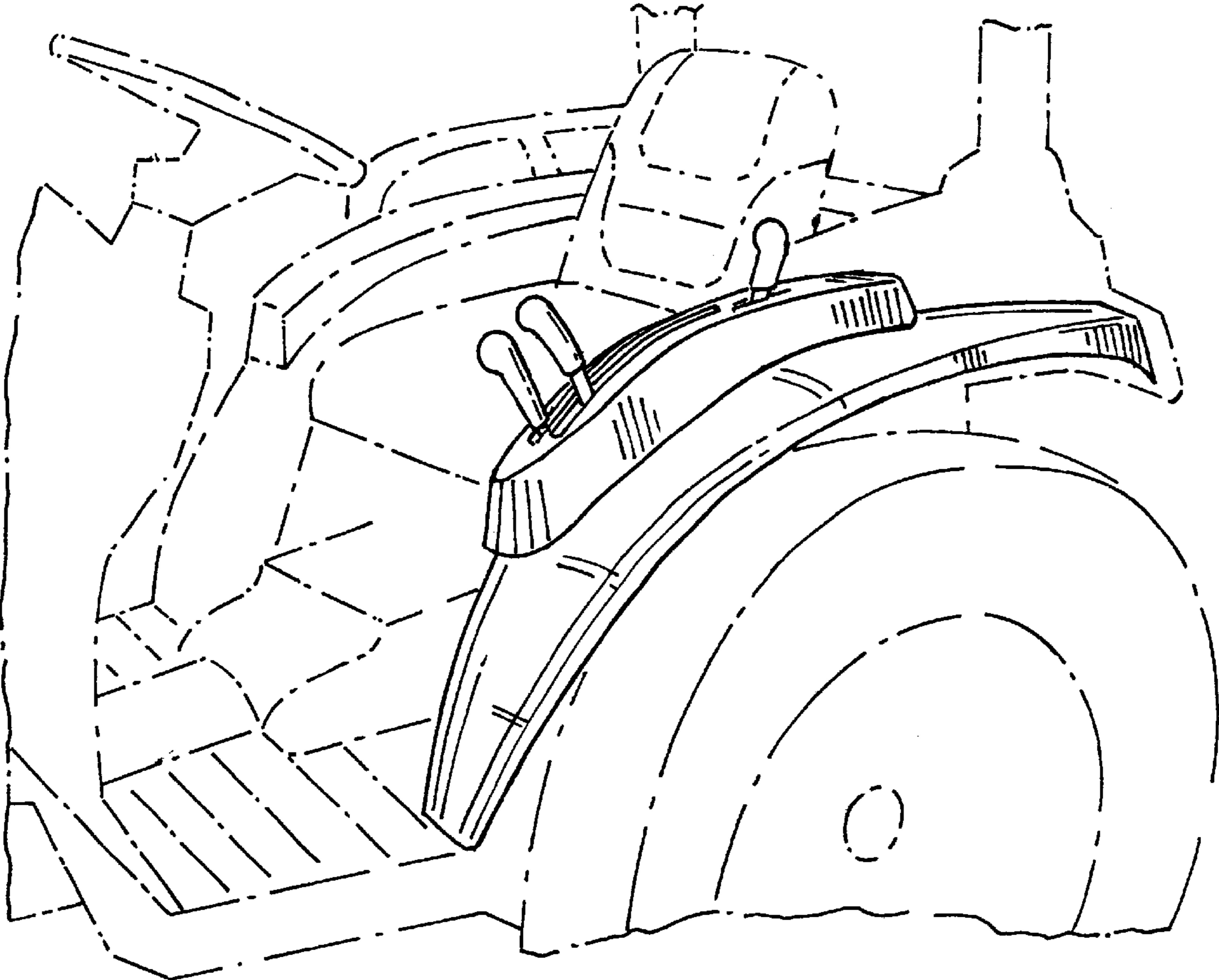


FIG. 5