



US00D516587S

(12) **United States Design Patent** (10) **Patent No.:** **US D516,587 S**  
**Bares et al.** (45) **Date of Patent:** **\*\* Mar. 7, 2006**

(54) **SMALL LOADER**

(75) Inventors: **Mark F. Bares**, Oakes, ND (US);  
**James H. Page**, Bottineau, ND (US)

(73) Assignee: **Clark Equipment Company**, Woodcliff  
Lake, NJ (US)

(\*\*) Term: **14 Years**

(21) Appl. No.: **29/205,976**

(22) Filed: **May 24, 2004**

(51) **LOC (8) Cl.** ..... **12-09**

(52) **U.S. Cl.** ..... **D15/23**

(58) **Field of Classification Search** ..... D15/10,  
D15/22-27, 33; 180/89.1, 89.12, 89.13, 306,  
180/308, 291; 414/680, 684, 685, 722, 723,  
414/743

See application file for complete search history.

(56) **References Cited**

**U.S. PATENT DOCUMENTS**

D294,032 S	*	2/1988	Whiffin	.....	D15/25
5,343,960 A		9/1994	Gilbert	.....	172/823
5,358,064 A		10/1994	Oertley	.....	180/9.5
D359,497 S	*	6/1995	Rayner	.....	D15/25
D376,372 S	*	12/1996	Little et al.	.....	D15/23
5,997,109 A		12/1999	Kautsch	.....	305/129
D423,521 S	*	4/2000	Walter et al.	.....	D15/23
6,065,818 A		5/2000	Fischer	.....	305/179
D431,574 S	*	10/2000	Porter	.....	D15/25
6,397,967 B1		6/2002	McIlraith	.....	180/308
D463,454 S		9/2002	Miller et al.	.....	D15/22
D469,448 S		1/2003	Bares et al.	.....	D15/32
D472,904 S		4/2003	Bares et al.	.....	D15/24
D482,701 S	*	11/2003	Bares et al.	.....	D15/24
6,695,568 B2	*	2/2004	Bares et al.	.....	414/722
6,709,223 B2	*	3/2004	Walto et al.	.....	414/685
6,860,707 B2	*	3/2005	Roan et al.	.....	414/723

**OTHER PUBLICATIONS**

Mertz, Inc. Boxer Advertisement, published at least as early as Nov. 1, 2000, 3 pages.

Toro Dingo Tract Utility Loaders, TX400 Series Advertisement, published at least as early as Nov. 1, 2000, 3 pages.  
Finn Skid Steer 250, Finn Corporation, published at least as early as Nov. 1, 2000, 5 pages.

Publications by Ramrod Equipment, Taskmaster Loaders, showing models 550, 750, 900, 910 and 944 with attachment pages, a total of 11 pages. Published at least as early as Nov. 1, 2000.

Gravelly Skid Steer Loader information, published at least as early as Nov. 1, 2000, 7 pages.

Mertz, Inc. Brochure, entitled "TrackMaster HP 800" (2 pages), Published before Nov. 1, 2000.

Mertz, Inc. Brochure, entitled "BOXER, America's first mini-skid steer with hydraulically adjustable track system." (2 pages), Published before Nov. 1, 2000.

\* cited by examiner

*Primary Examiner*—Mitchell Siegel

*Assistant Examiner*—Mark Goodwin

(74) *Attorney, Agent, or Firm*—Westman, Champlin & Kelly, P.A.

(57) **CLAIM**

The ornamental design for small loader, as shown and described.

**DESCRIPTION**

FIG. 1 is a front perspective view of a small loader showing our new design;

FIG. 2 is a top plan view thereof;

FIG. 3 is a front elevational view thereof;

FIG. 4 is a left side elevational view thereof;

FIG. 5 is a right side elevational view thereof;

FIG. 6 is a rear elevational view thereof;

FIG. 7 is a bottom plan view thereof;

FIG. 8 is a front perspective view of a second embodiment of a small loader showing our new design;

FIG. 9 is a top plan view thereof;

FIG. 10 is a front elevational view thereof;

FIG. 11 is a left side elevational view thereof;

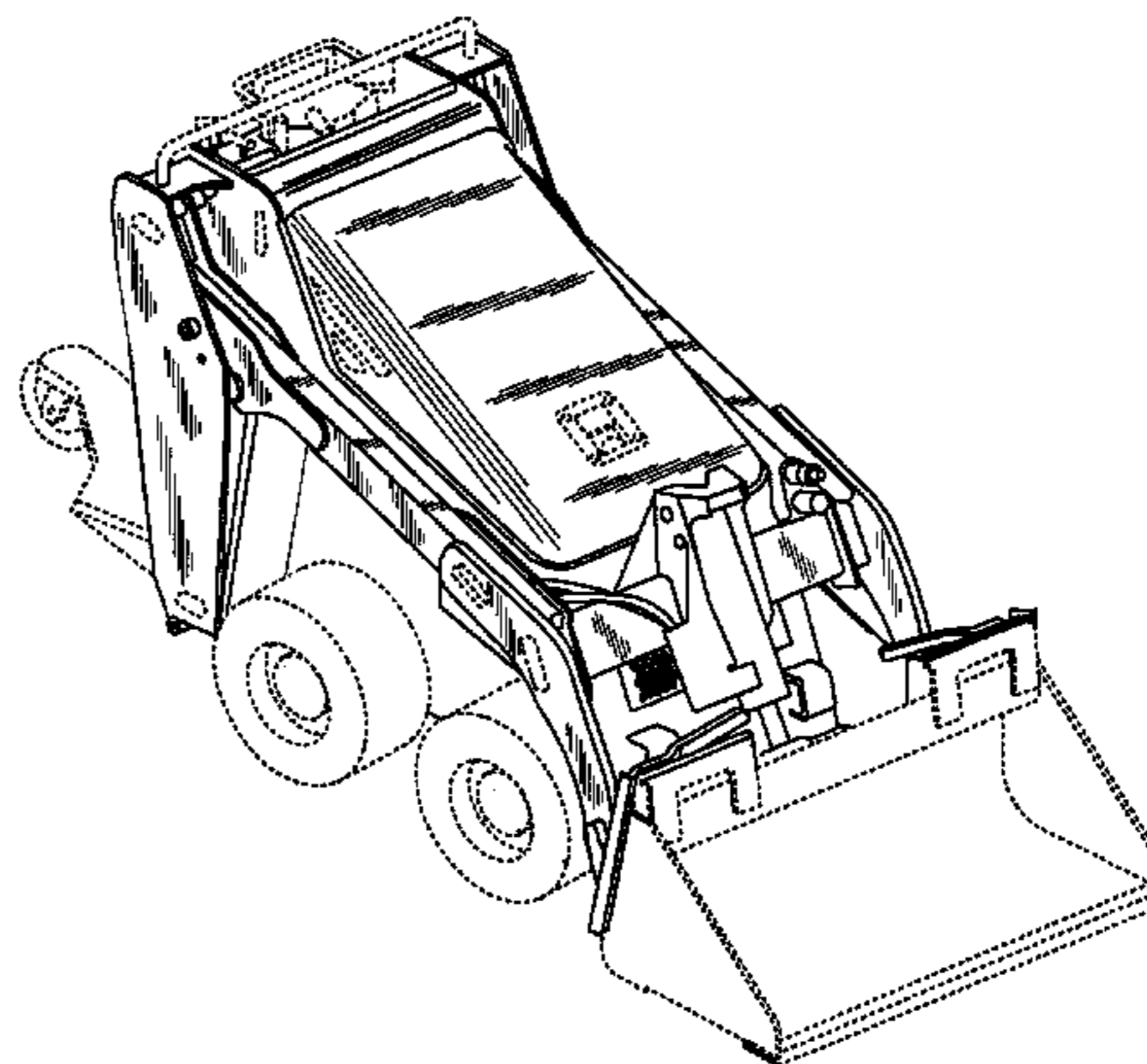
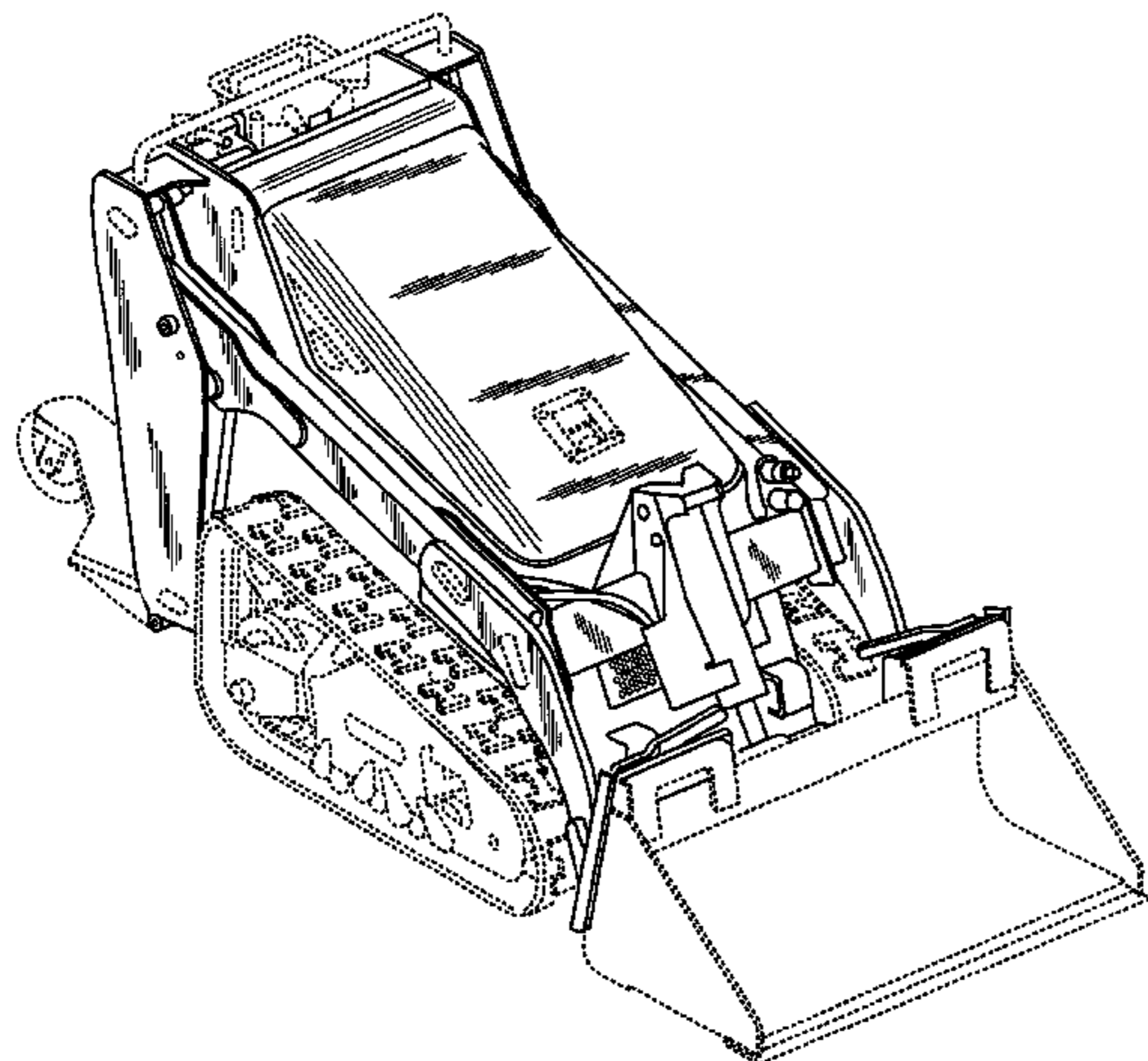
FIG. 12 is a right side elevational view thereof;

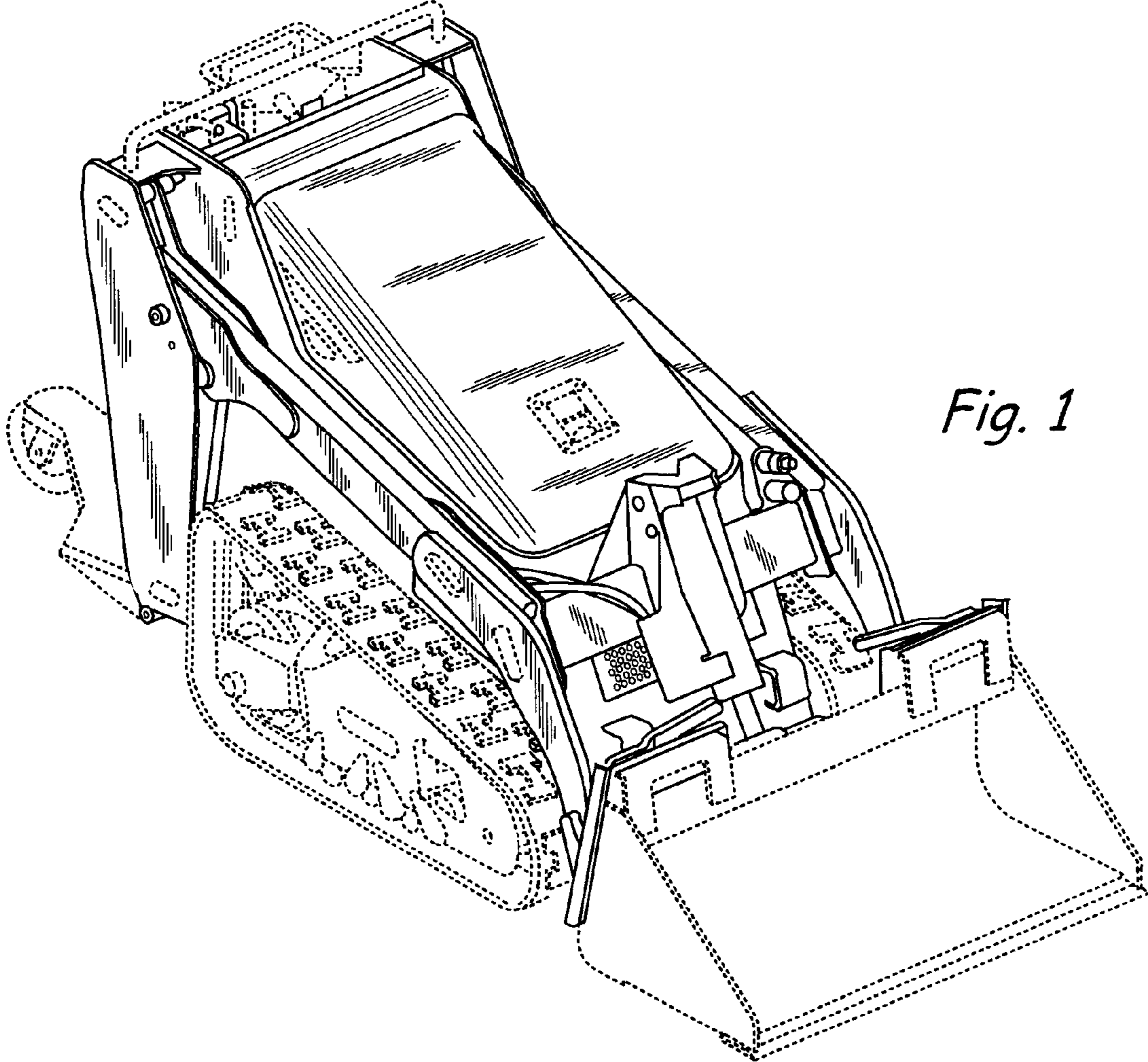
FIG. 13 is a rear elevational view thereof; and,

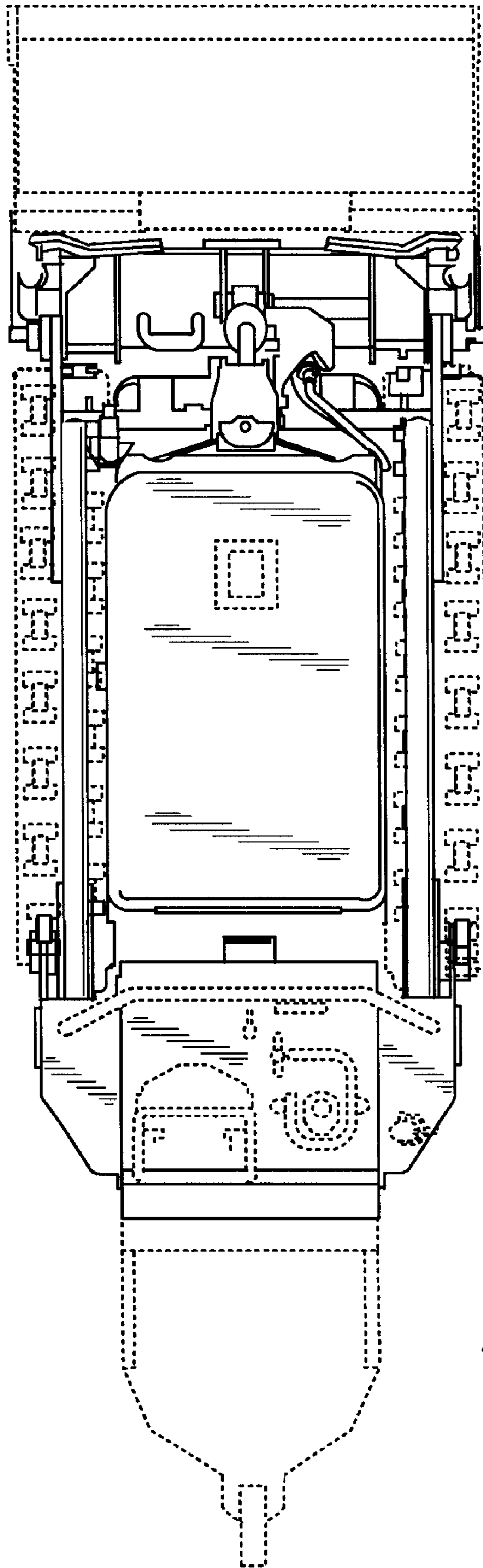
FIG. 14 is a bottom plan view thereof.

The dotted line representations are for illustrative purposes only and form no part of the claimed design.

**1 Claim, 14 Drawing Sheets**

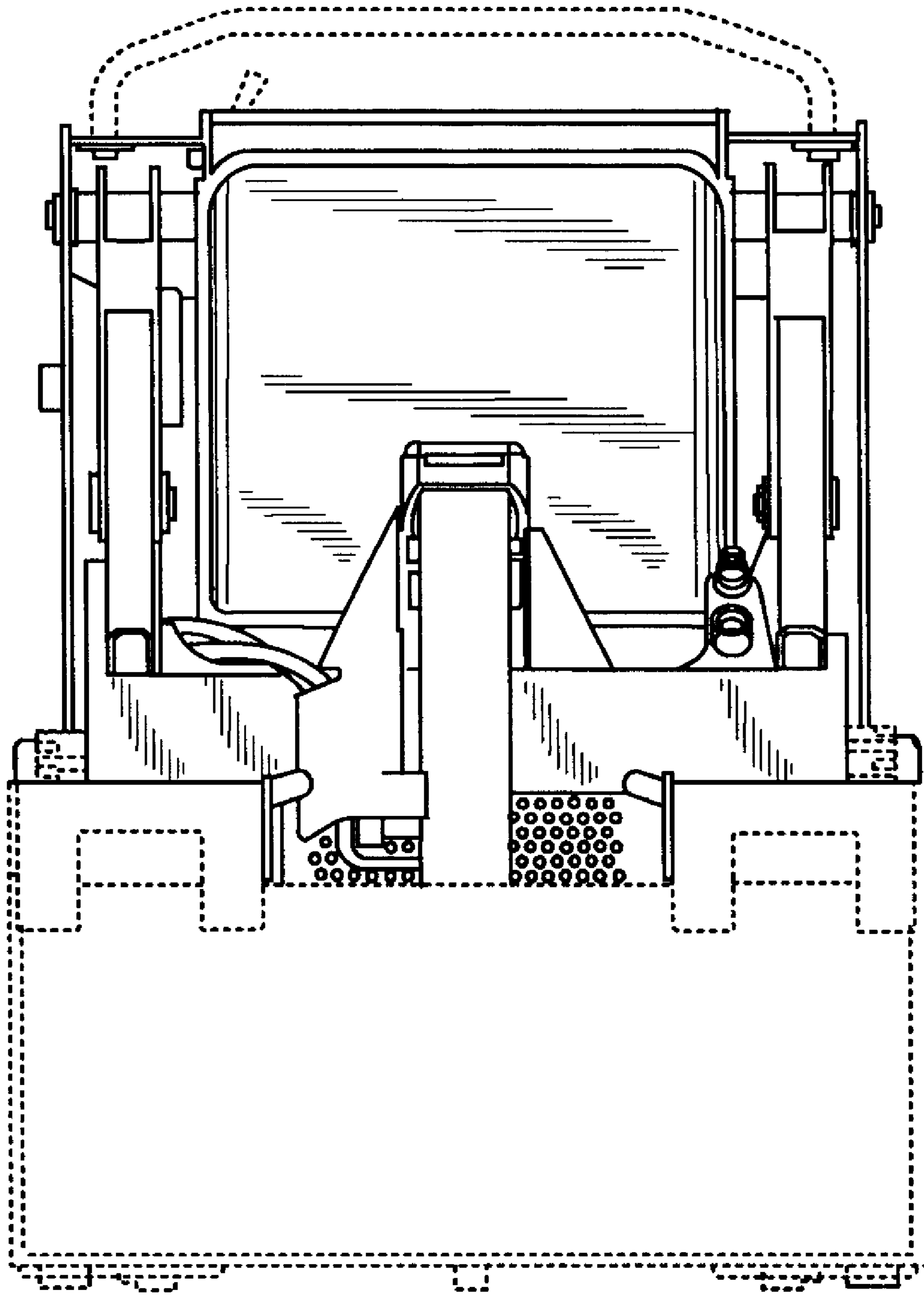






*Fig. 2*





*Fig. 3*

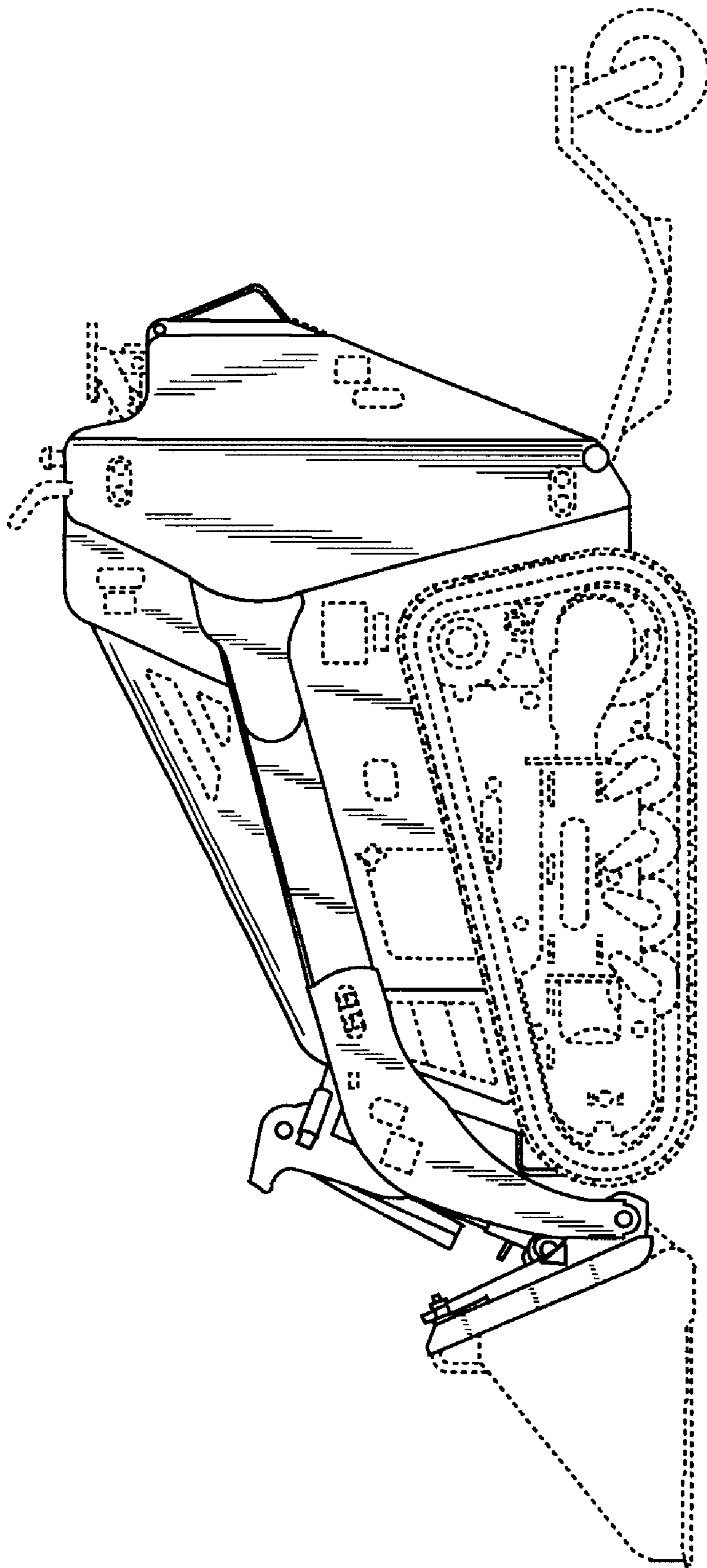


Fig. 4

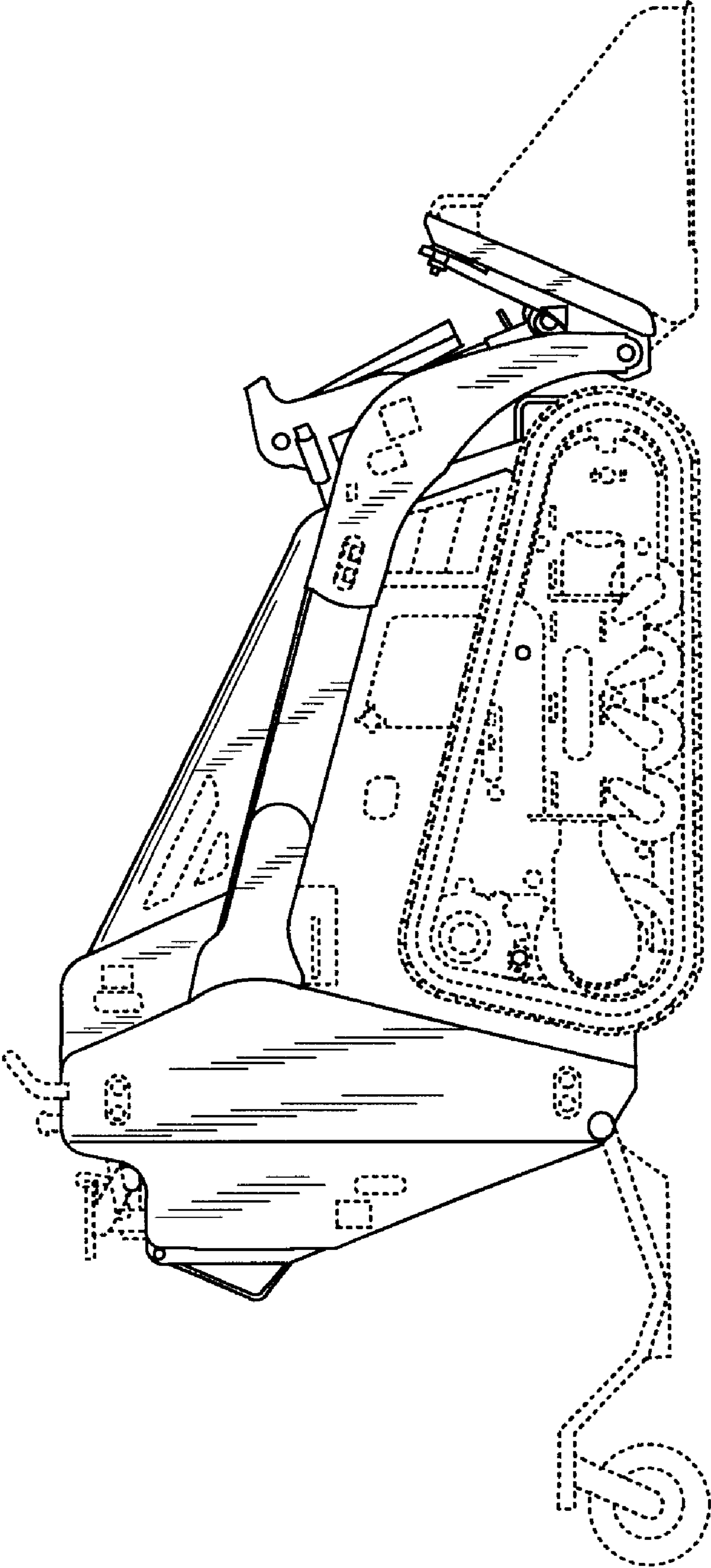


Fig. 5

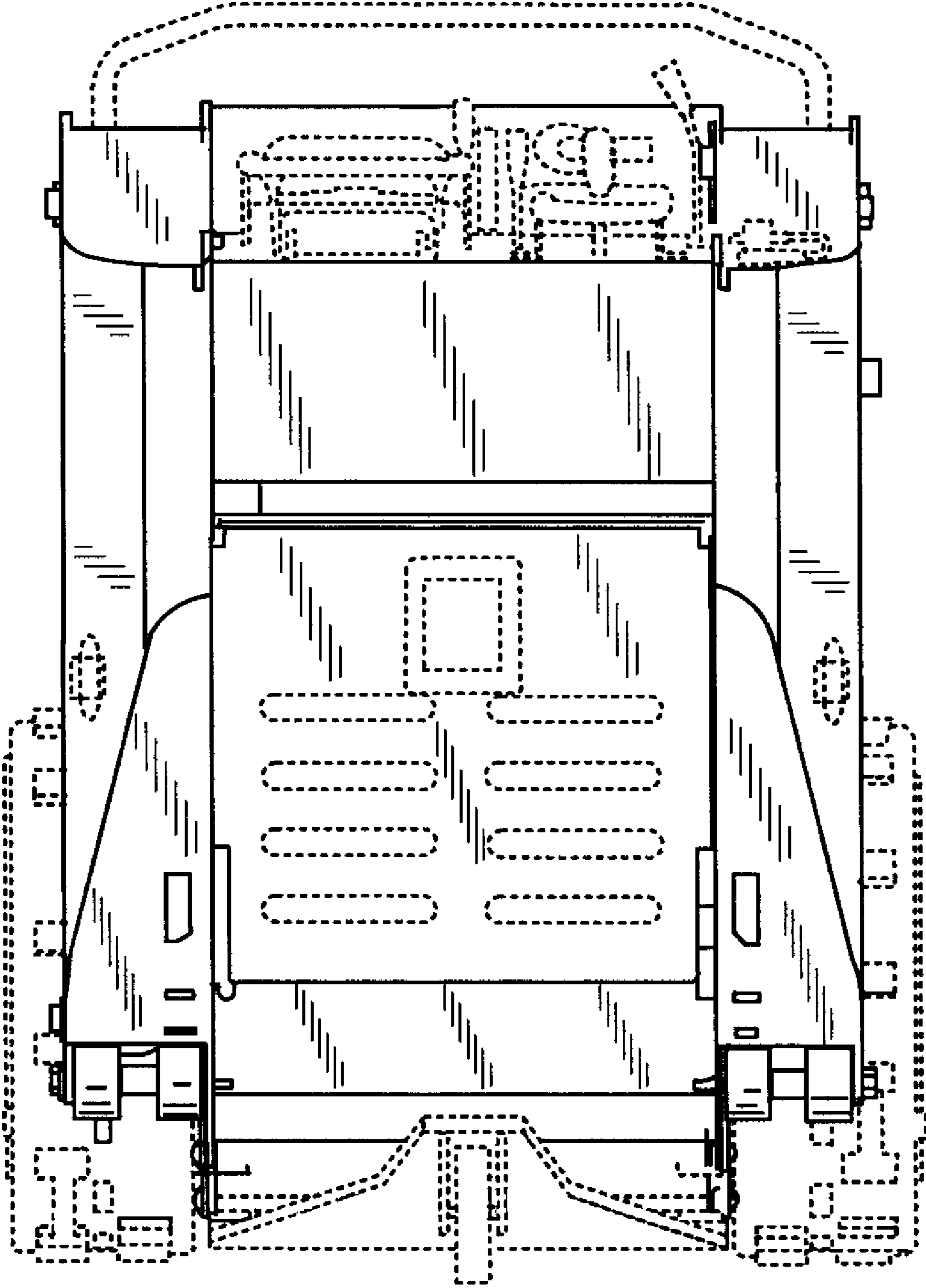
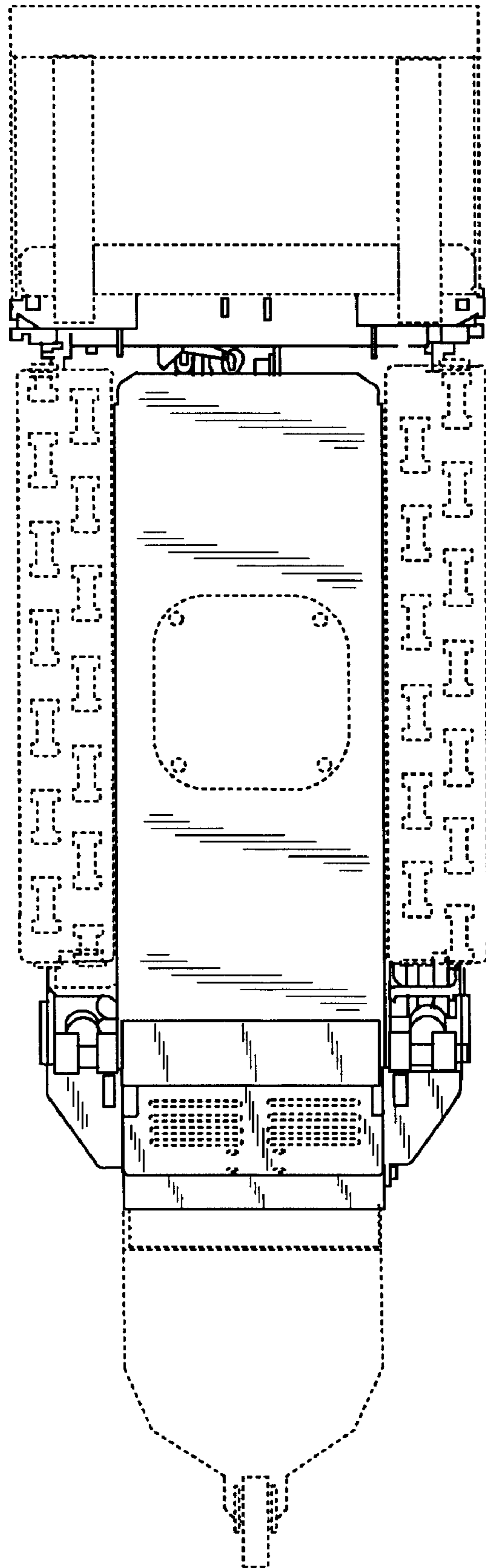


Fig. 6



*Fig. 7*



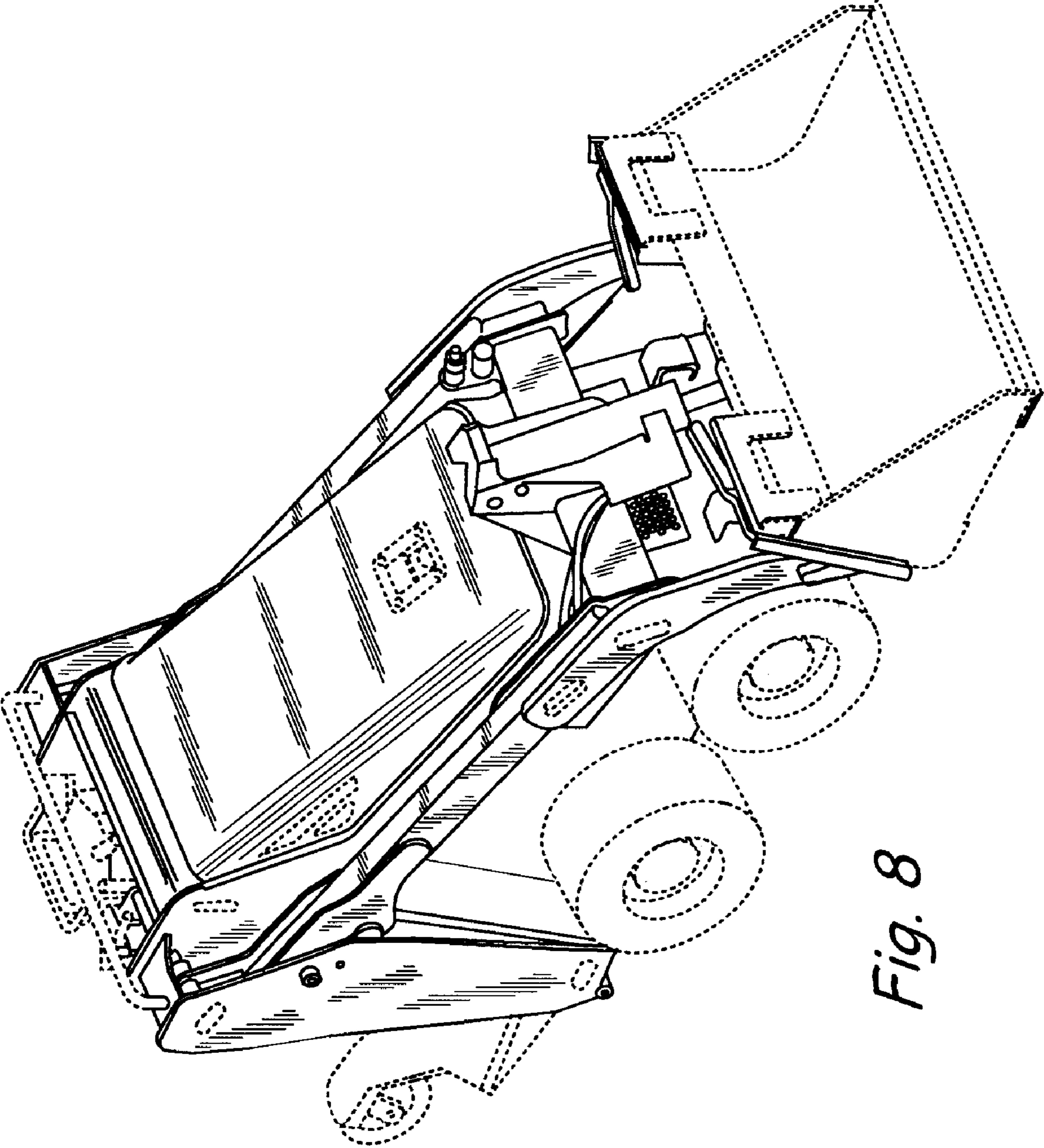
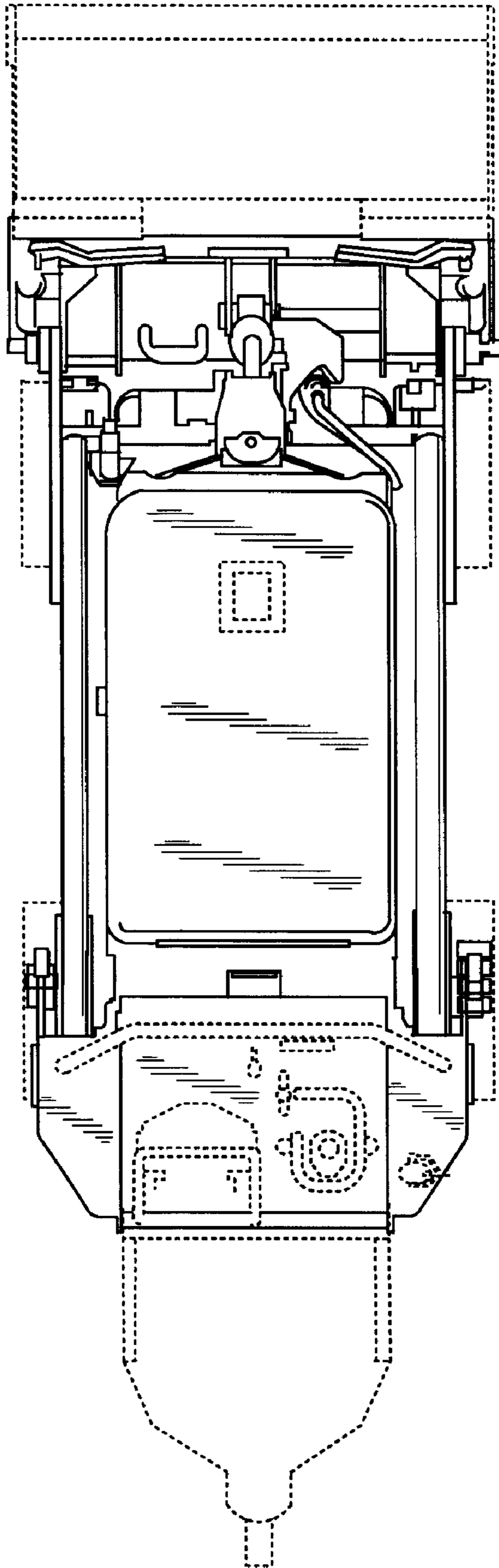
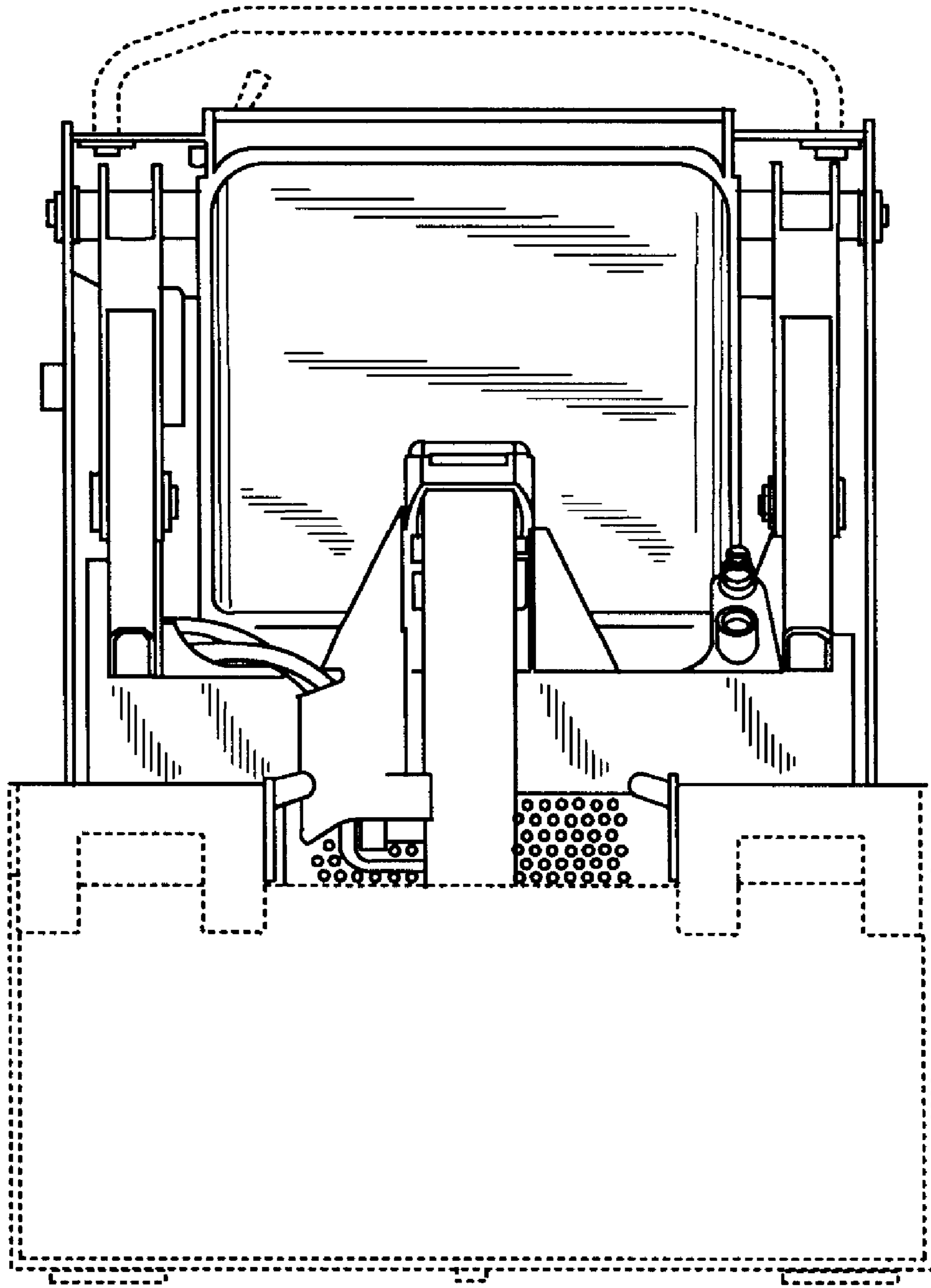


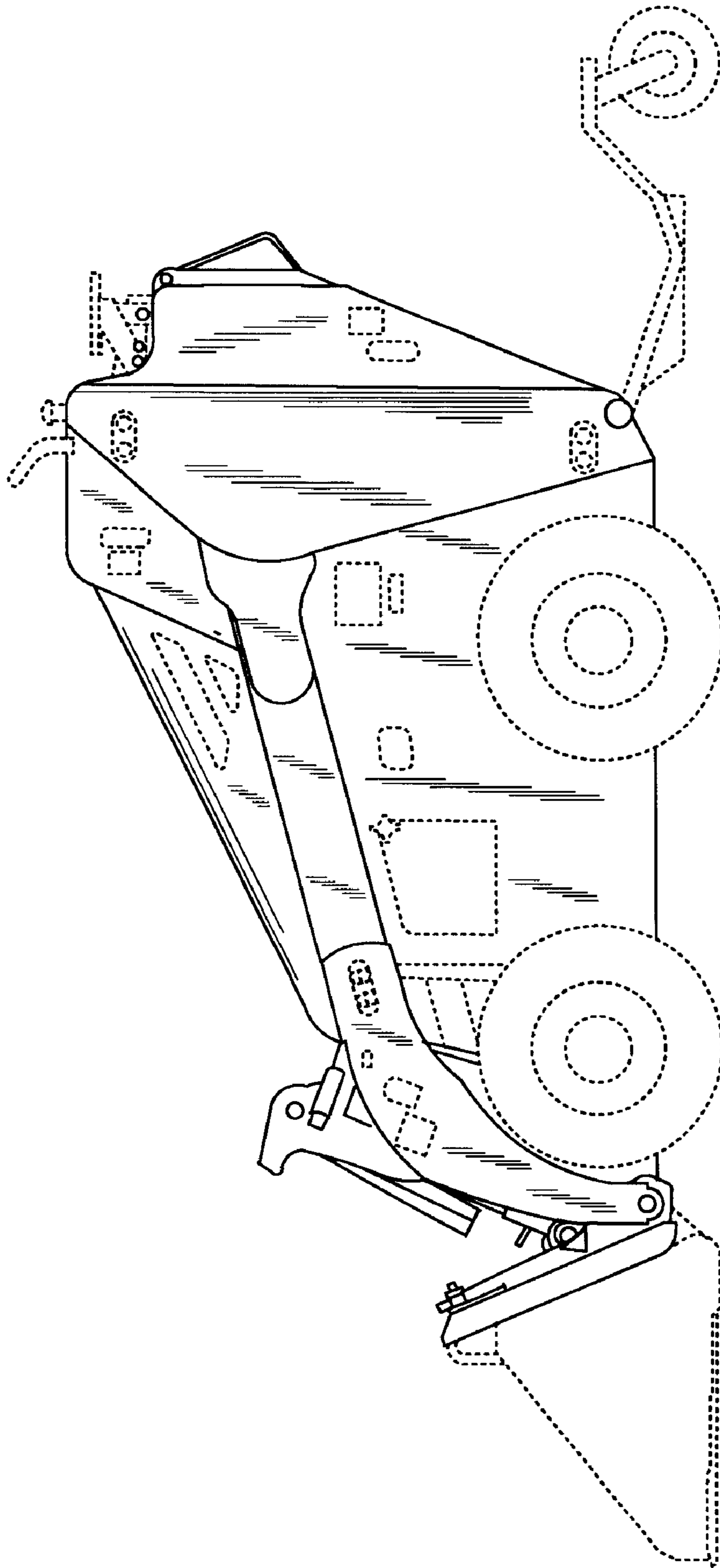
Fig. 8



*Fig. 9*



*Fig. 10*



*Fig. 11*



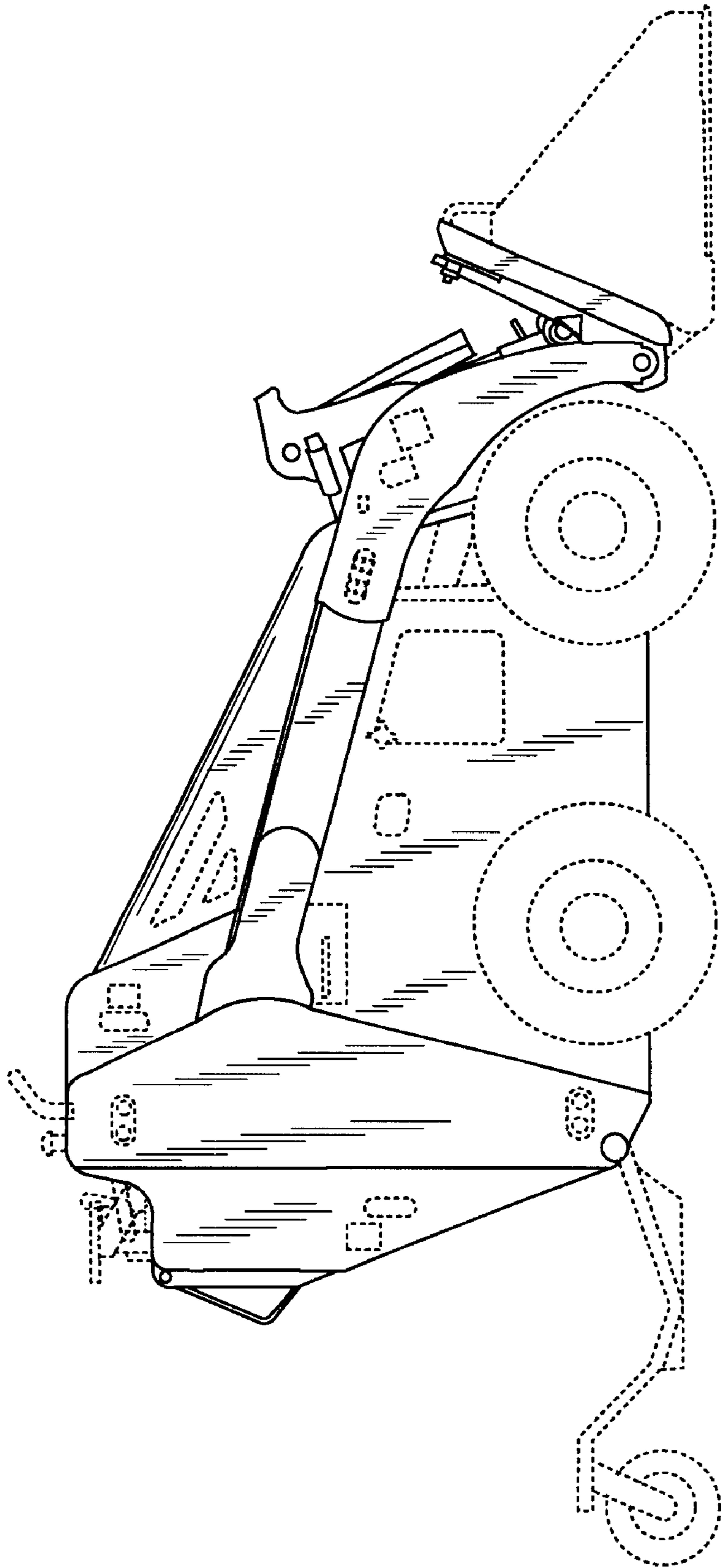
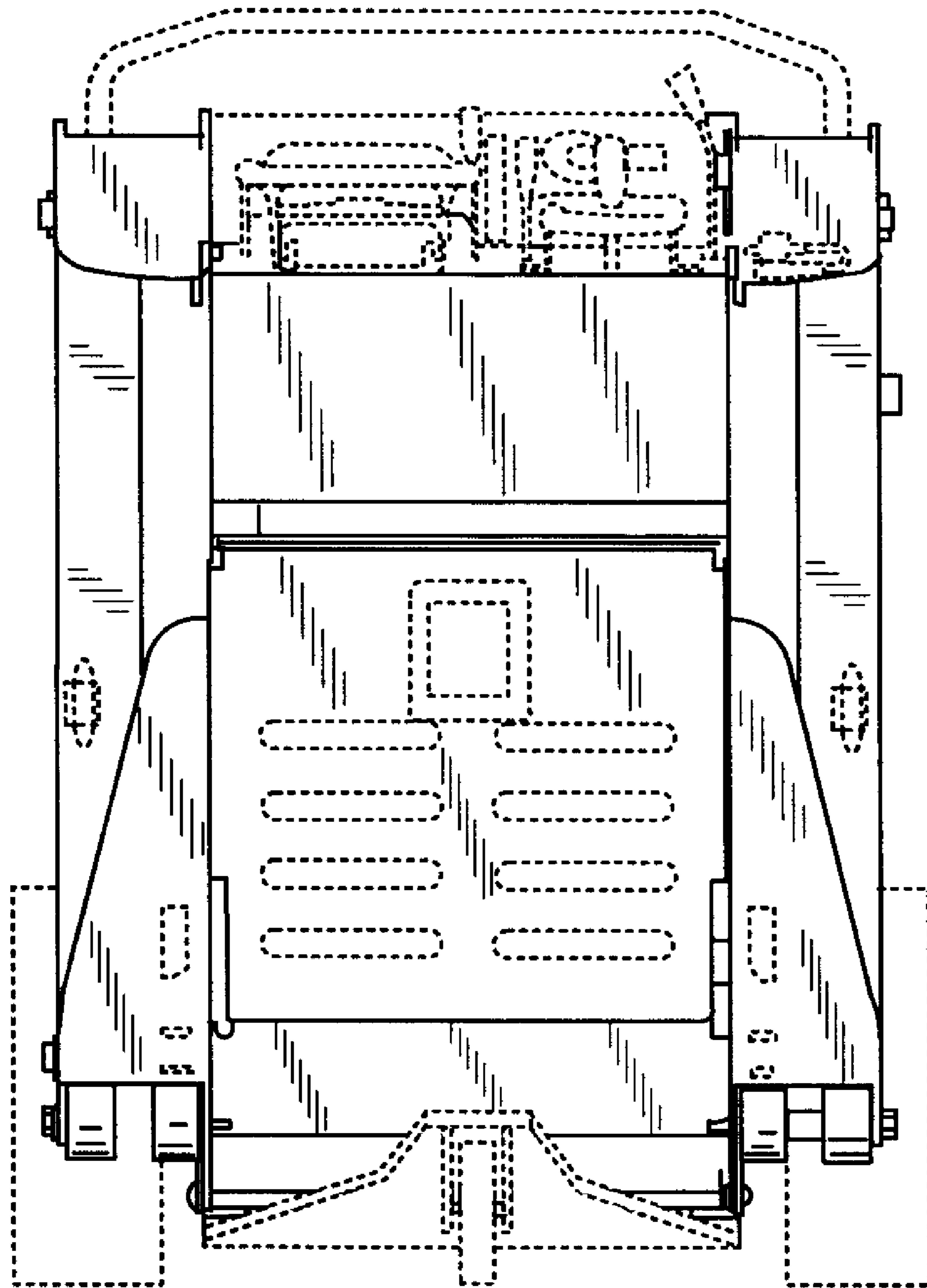
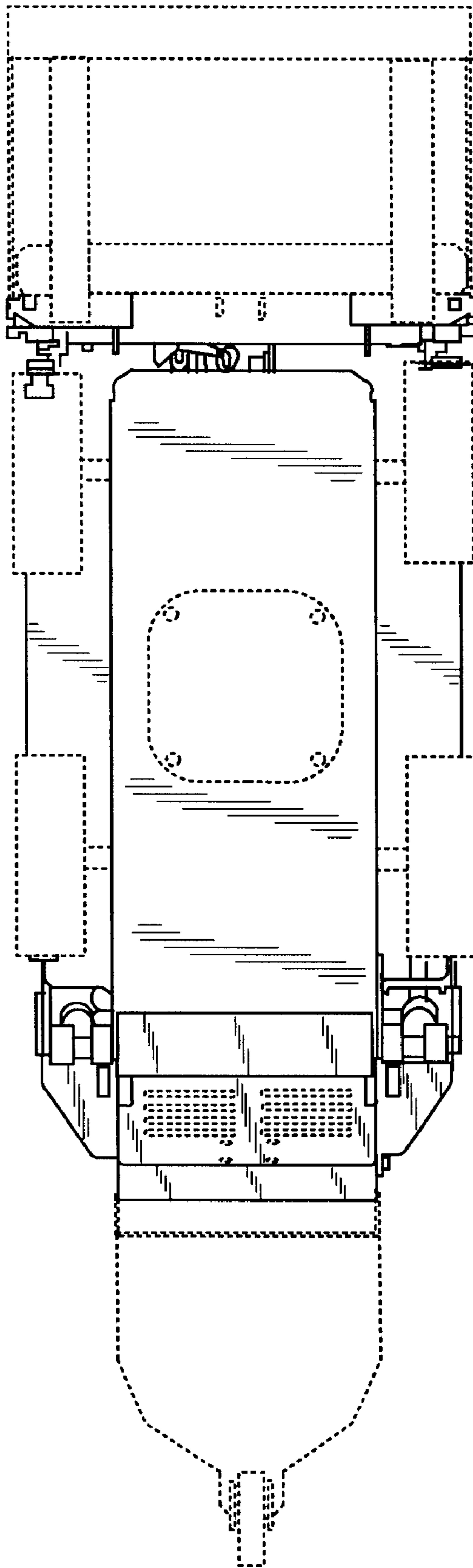


Fig. 12



*Fig. 13*



*Fig. 14*