



US00D516586S

(12) **United States Design Patent**
Tsuji et al.

(10) **Patent No.: US D516,586 S**
(45) **Date of Patent: ** Mar. 7, 2006**

(54) **REACH STACKER**

(75) Inventors: **Hajime Tsuji**, Kanagawa-ken (JP); **Yuji Mori**, Kanagawa-ken (JP)

(73) Assignee: **Mitsubishi Heavy Industries, Ltd.** (JP)

(**) Term: **14 Years**

(21) Appl. No.: **29/201,719**

(22) Filed: **Mar. 19, 2004**

(30) **Foreign Application Priority Data**

Sep. 26, 2003 (JP) 2003-027984

(51) **LOC (8) Cl. 15-03**

(52) **U.S. Cl. D15/10**

(58) **Field of Classification Search** D15/10,
D15/22-26; 414/592, 618, 633, 680, 785,
414/708; D34/34, 37; 187/222; 180/49, 89.1,
180/89.12, 900, 307; D2/719; D12/1
See application file for complete search history.

(56) **References Cited**

U.S. PATENT DOCUMENTS

3,858,675	A	*	1/1975	Geis	180/307
D271,071	S	*	10/1983	Koether	D2/719
D276,799	S	*	12/1984	Bays et al.	D12/1
4,674,944	A	*	6/1987	Addleman	414/708
D295,523	S	*	5/1988	Gano	D15/25
D316,468	S	*	4/1991	Sandrock et al.	D34/37
D366,489	S	*	1/1996	Brown	D15/22
6,047,791	A	*	4/2000	Hoebelheinrich	187/222
D480,529	S	*	10/2003	Pini	D34/34
6,726,436	B2	*	4/2004	Baumann et al.	414/680

* cited by examiner

Primary Examiner—Stella Reid
Assistant Examiner—Mark A. Goodwin
(74) *Attorney, Agent, or Firm—Anderson Kill & Olick, P.C.*

(57) **CLAIM**

The ornamental design for a reach stacker, as shown and described.

DESCRIPTION

FIG. 1 is a front view of the reach stacker showing our new design:

FIG. 2 is a rear view thereof;

FIG. 3 is a left side view thereof;

FIG. 4 is a right side view thereof;

FIG. 5 is a top (plan) view thereof;

FIG. 6 is a bottom view thereof;

FIG. 7 is a front view showing a transparent portion of the reach stacker showing our new design:

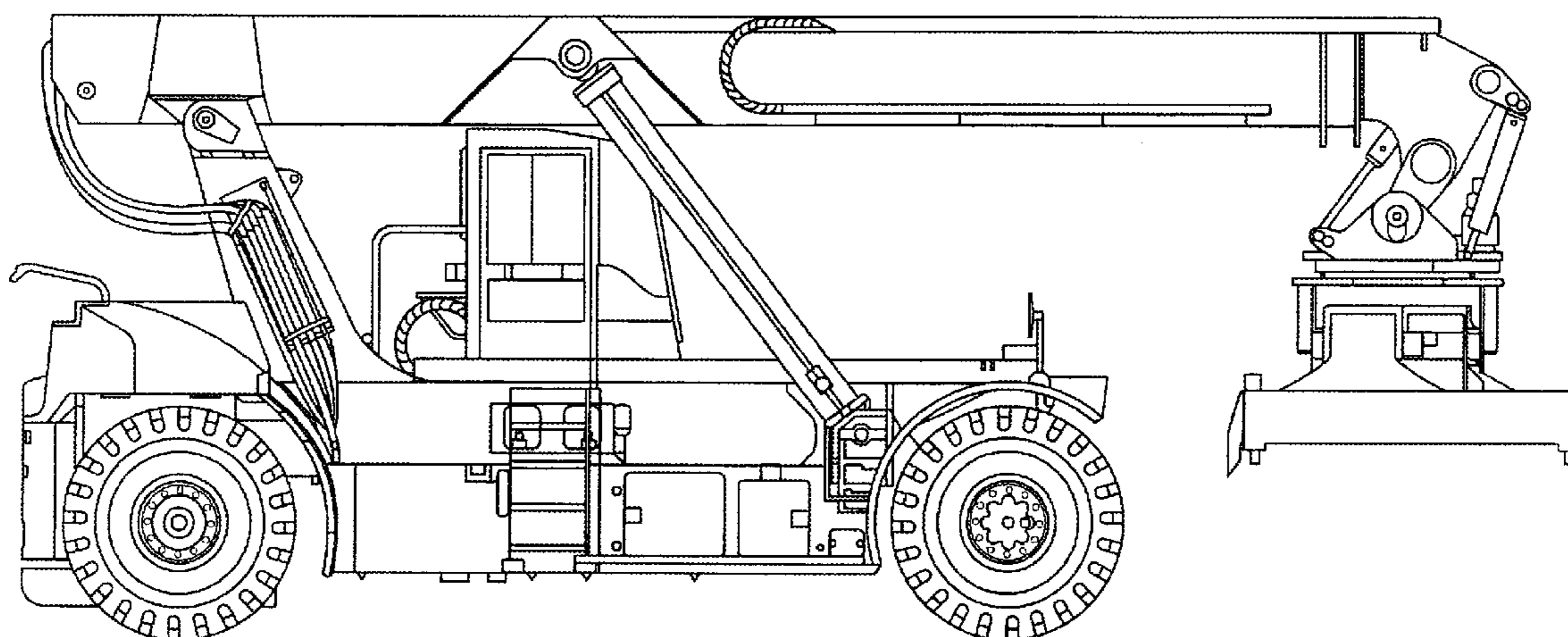
FIG. 8 is a rear view showing a transparent portion thereof;

FIG. 9 is a left side view showing a transparent portion thereof; and,

FIG. 10 is a right side view showing a transparent portion thereof.

In the elevational view showing a transparent portion, the portion which gives the slash is transparent. In the rear elevation showing a transparent portion, the portion which gives the slash is transparent. In the left-hand side side figure which shows a transparent portion, the portion which gives the slash is transparent. In the right-hand side side figure which shows a transparent portion, the portion which gives the slash is transparent.

1 Claim, 10 Drawing Sheets



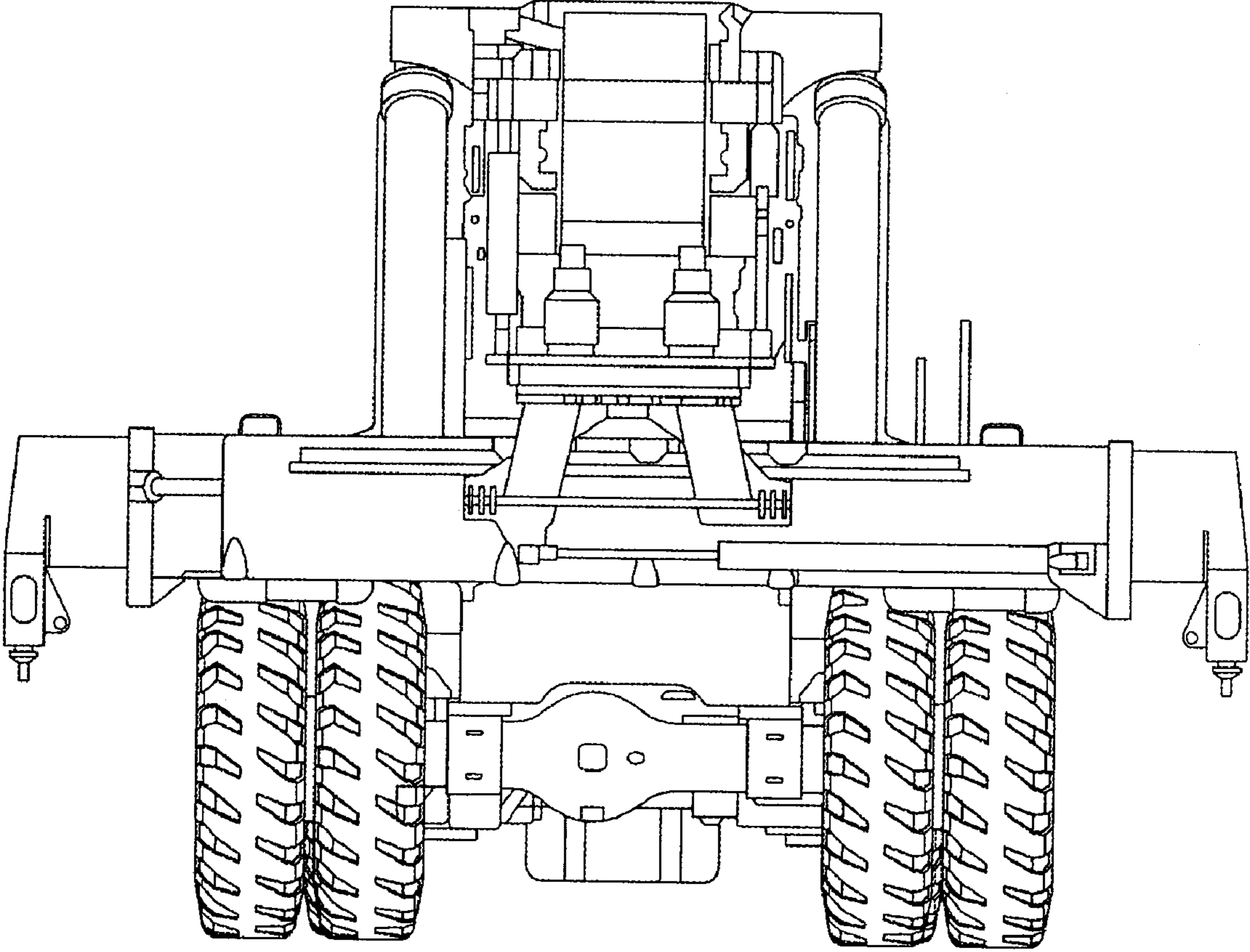


FIG. 1

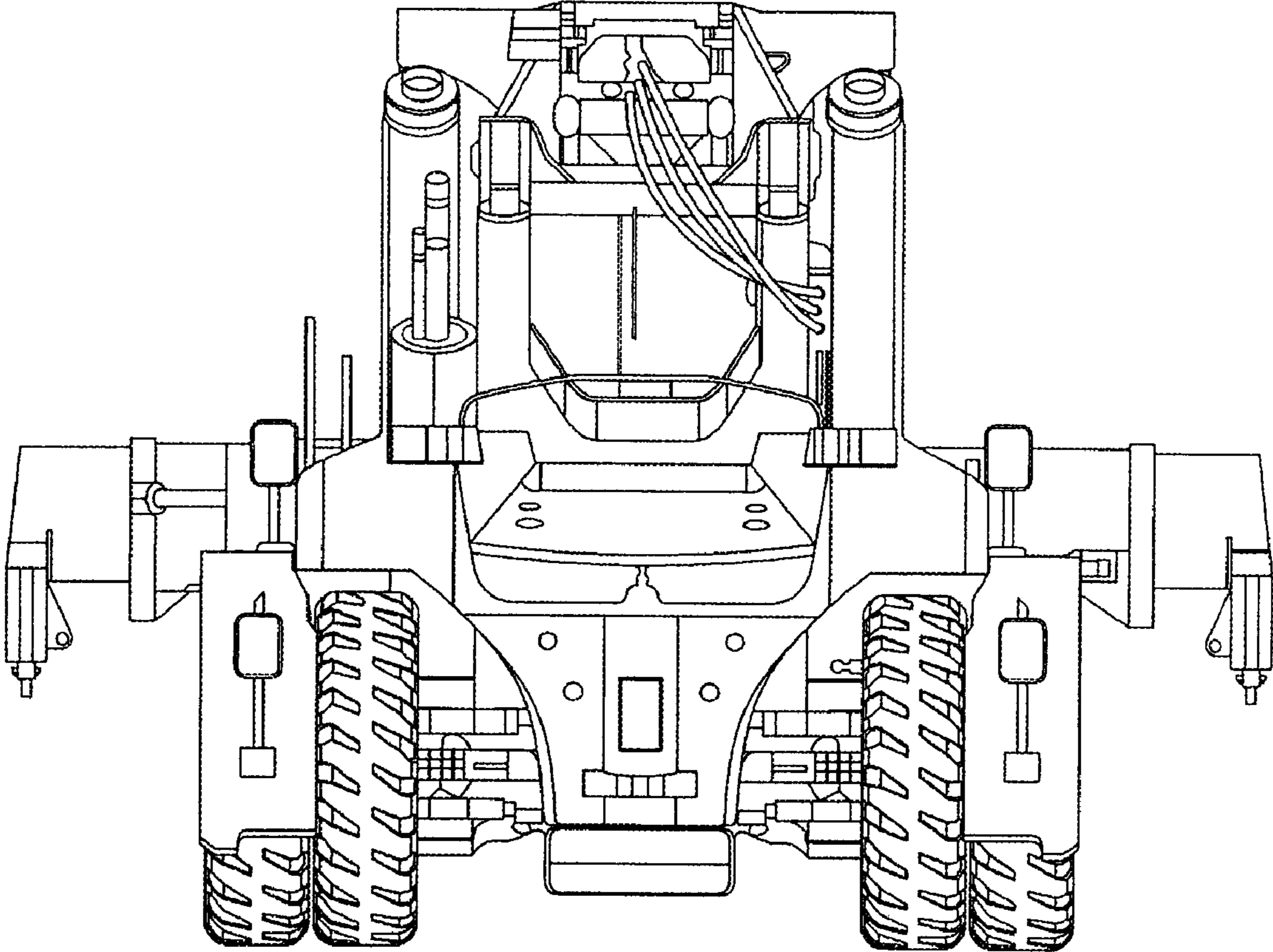


FIG. 2

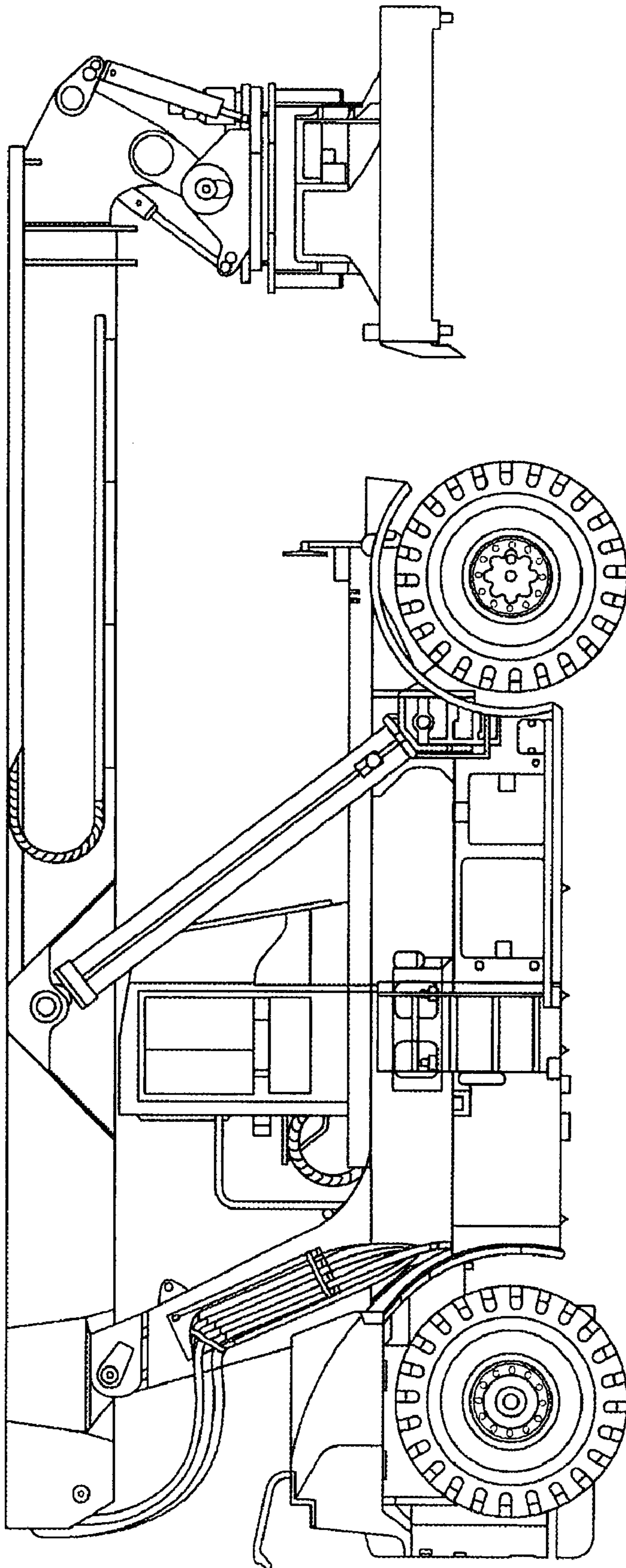


FIG. 3

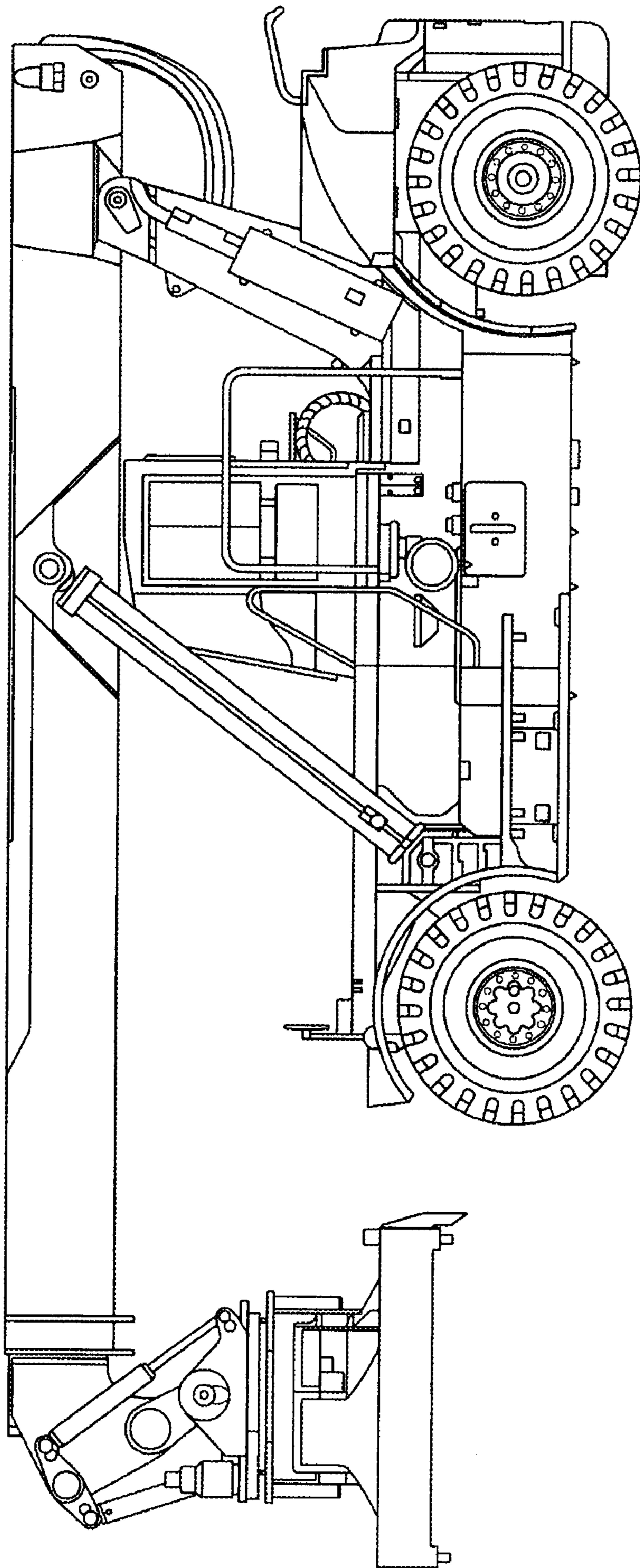


FIG. 4

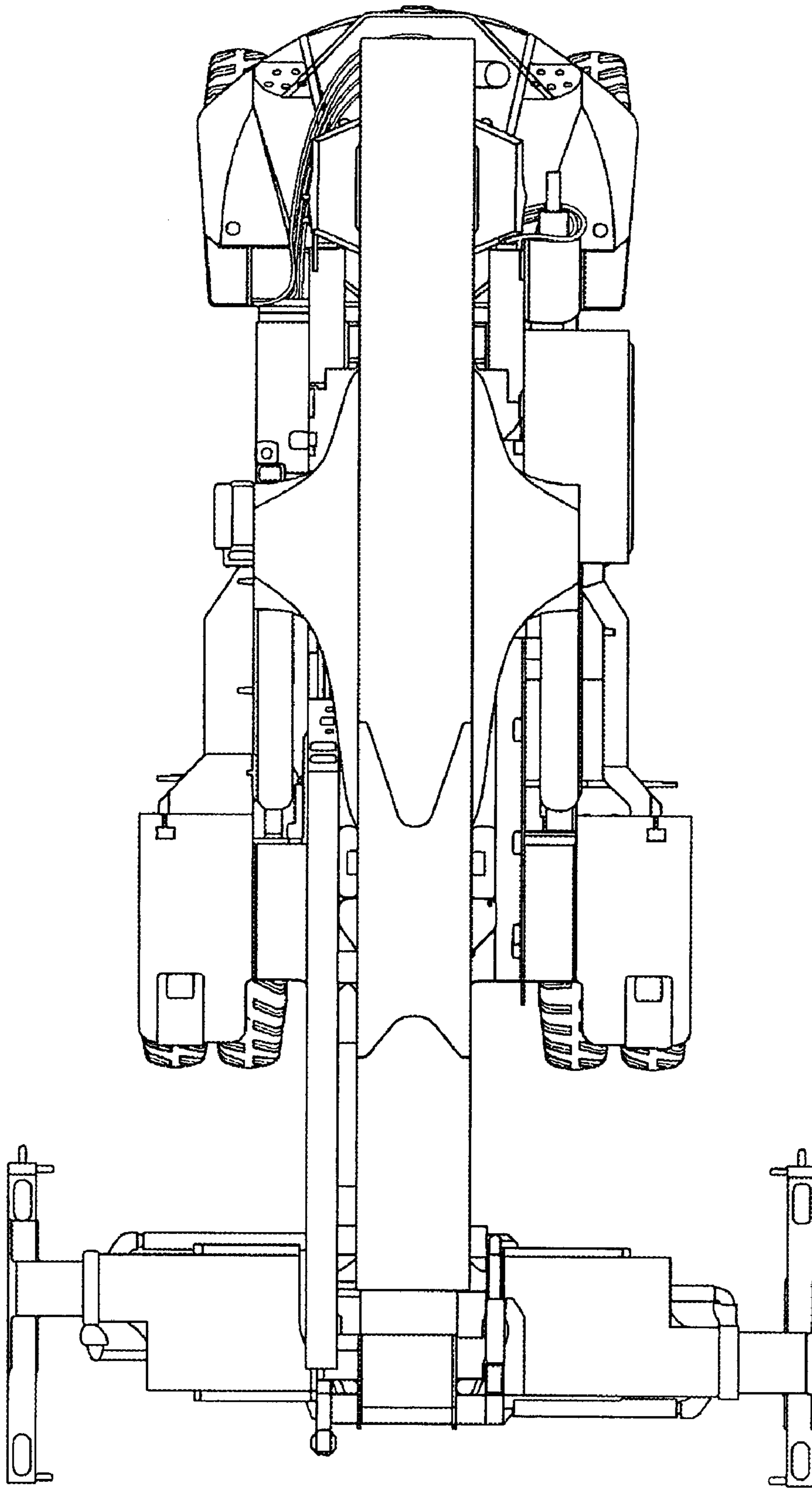


FIG. 5

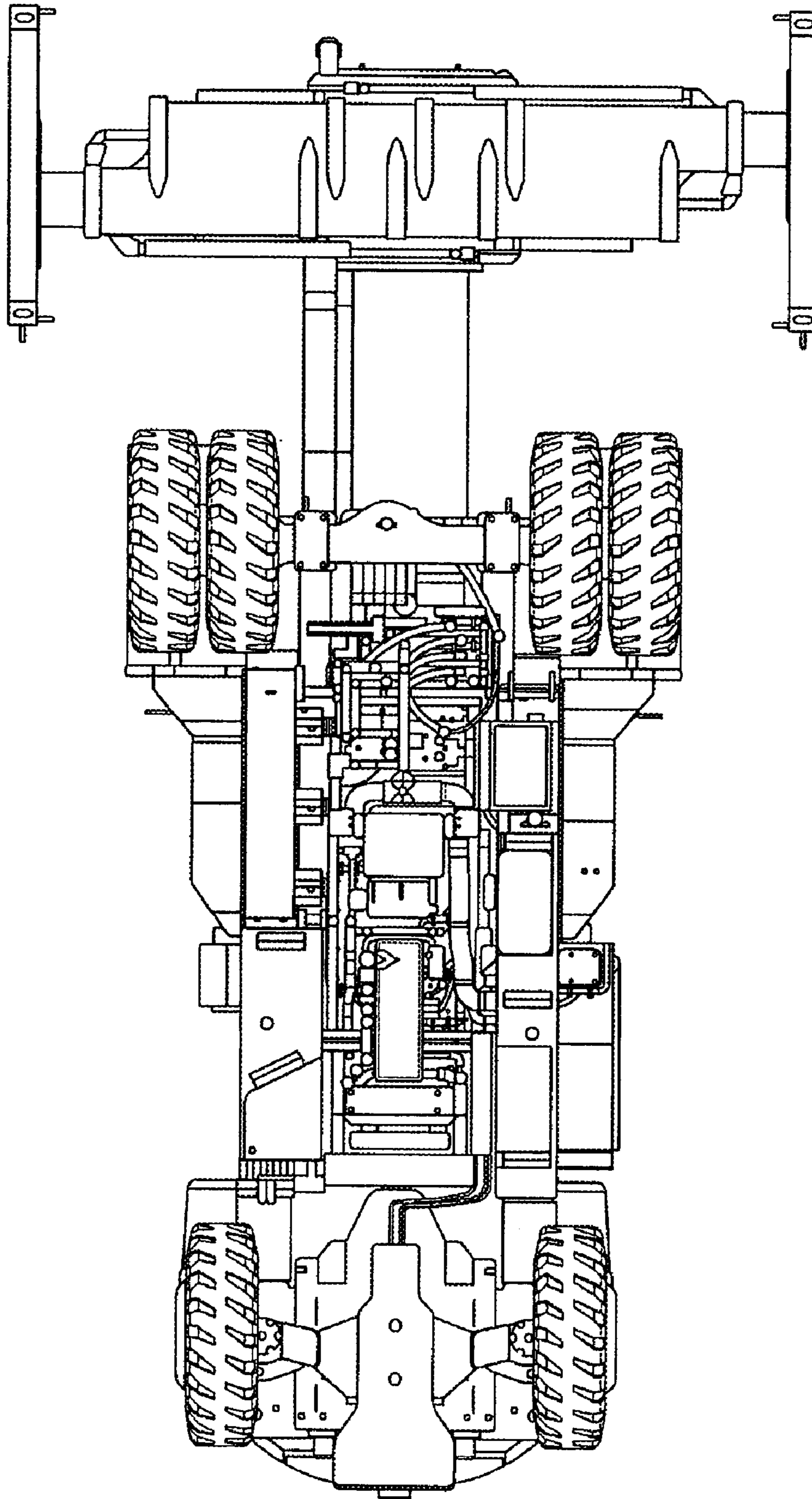


FIG. 6

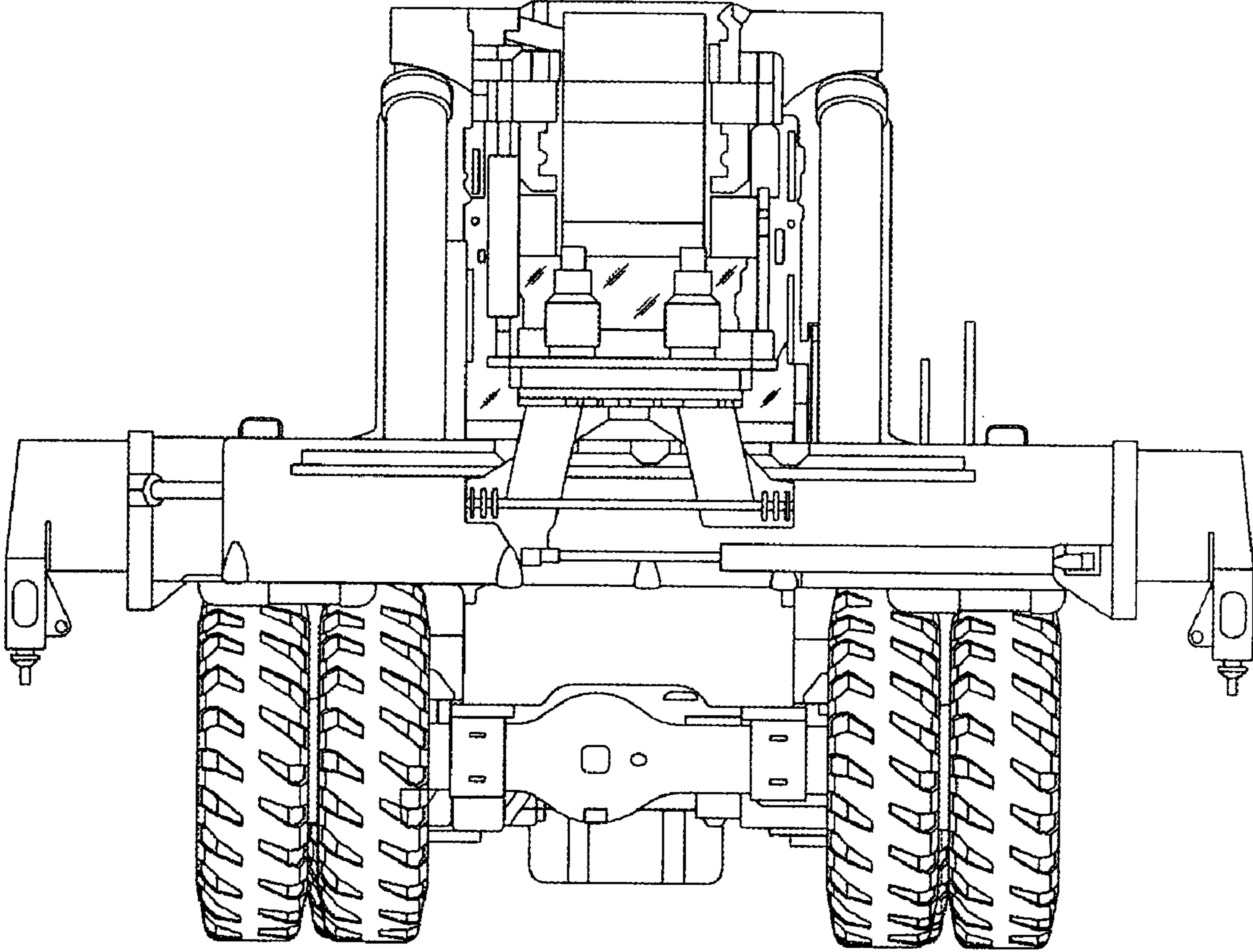


FIG. 7

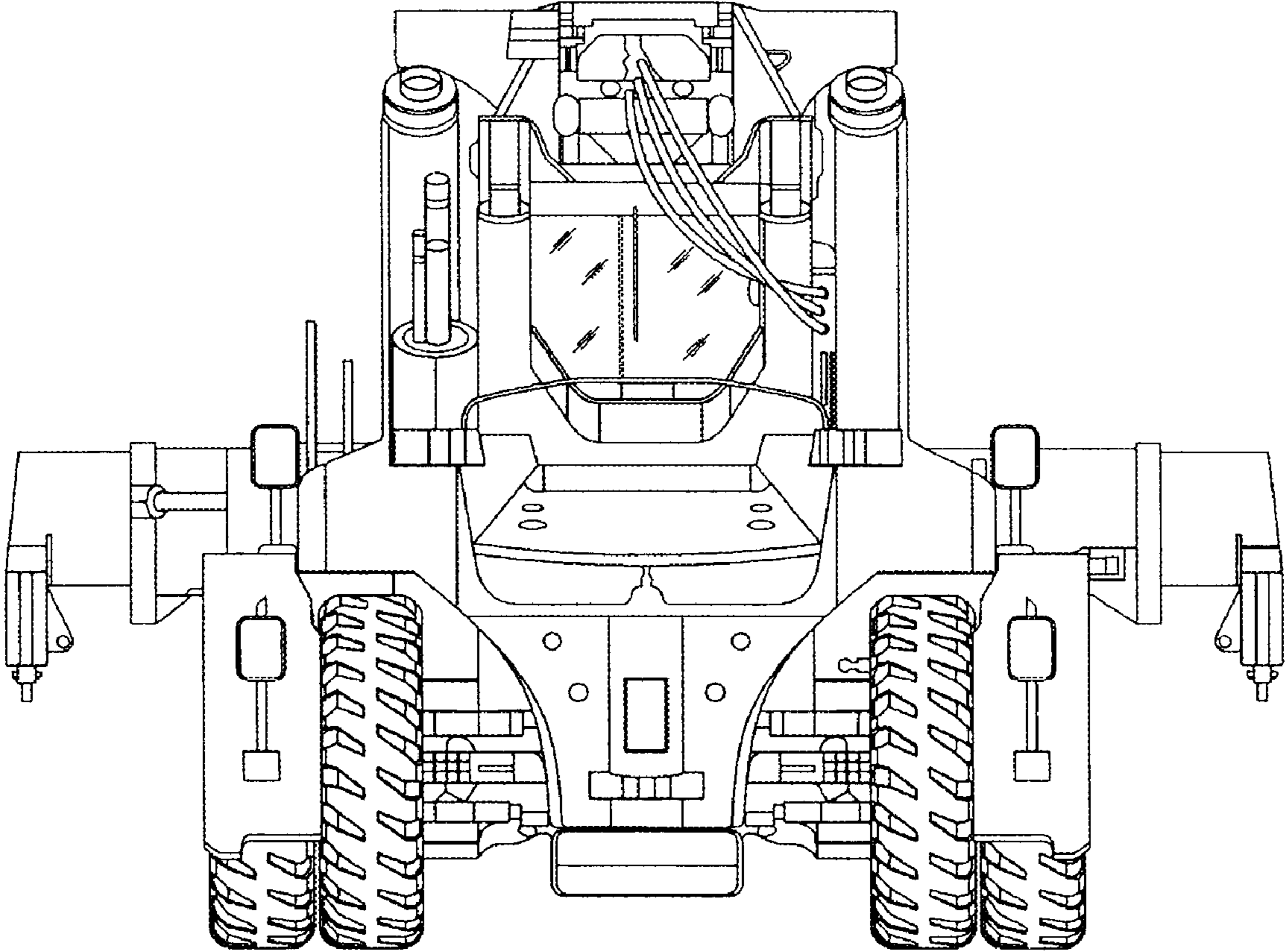


FIG. 8

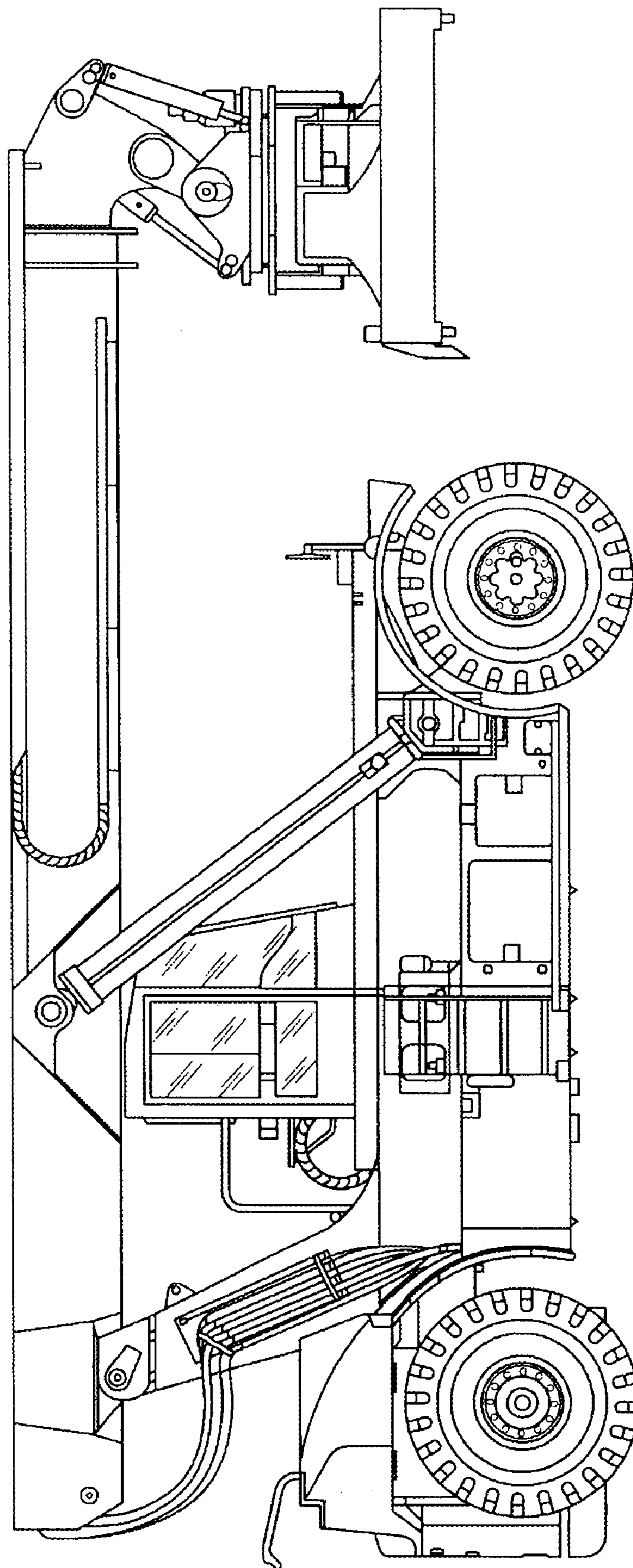


FIG. 9

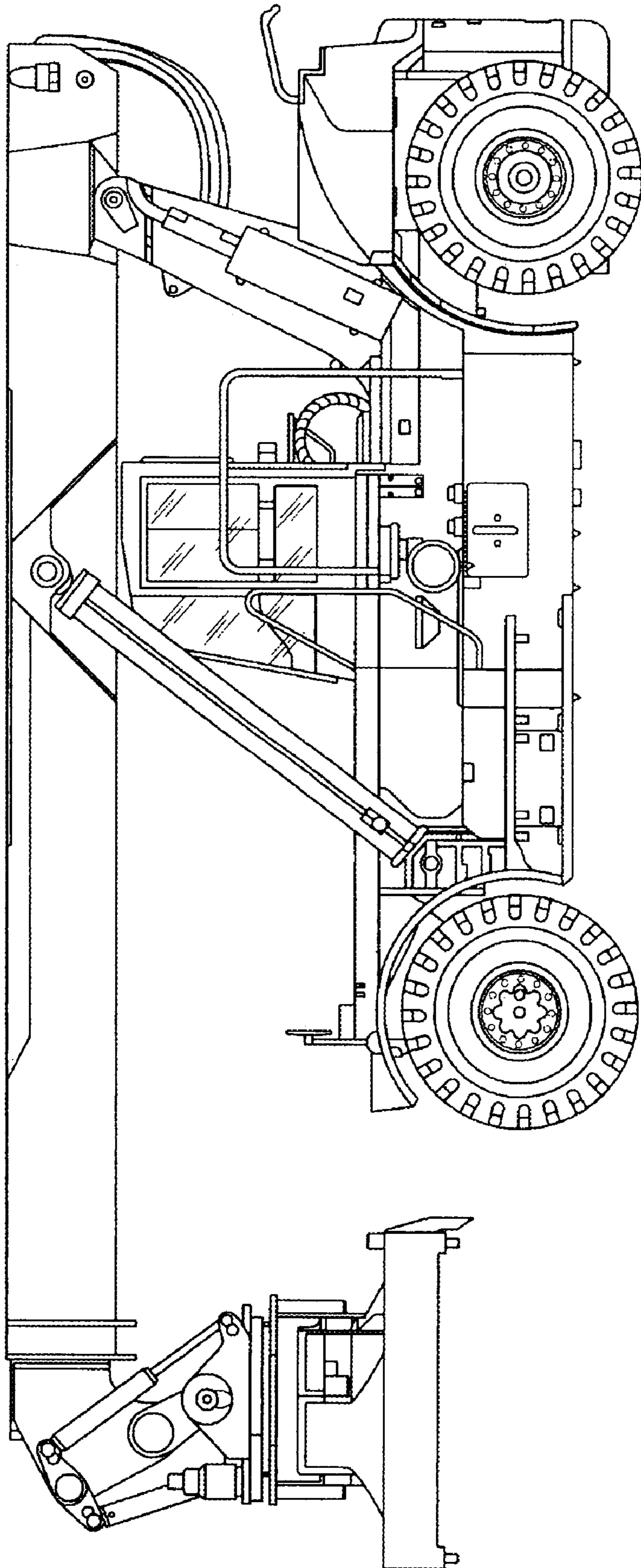


FIG. 10