



US00D516583S

(12) **United States Design Patent** (10) **Patent No.:** **US D516,583 S**
Strong (45) **Date of Patent:** **** Mar. 7, 2006**

(54) **PUMP**

(75) Inventor: **Christopher L. Strong**, Frederick, CO (US)

(73) Assignee: **Illinois Tool Works Inc.**, Glenview, IL (US)

(**) Term: **14 Years**

(21) Appl. No.: **29/216,034**

(22) Filed: **Oct. 28, 2004**

(51) **LOC (8) Cl.** **15-02**

(52) **U.S. Cl.** **D15/7**

(58) **Field of Classification Search** D15/7-9;
417/321, 410, 413.1, 415, 423.3, 486, 521,
417/534; 415/148

See application file for complete search history.

(56) **References Cited**

U.S. PATENT DOCUMENTS

2,281,933	A	5/1942	Gage	103/195
4,432,470	A	2/1984	Sopha	222/135
4,775,303	A	10/1988	Liska	417/554
D303,393	S *	9/1989	Stoll	D15/7
5,435,697	A	7/1995	Guebeli et al.	417/53
D370,683	S *	6/1996	Stahlman et al.	D15/7
5,524,983	A	6/1996	Dittgen et al.	366/160.4
D378,680	S *	4/1997	Ikumi	D15/7
5,647,737	A	7/1997	Gardner et al.	417/454
D404,040	S *	1/1999	Suthmann	D15/7
6,015,268	A	1/2000	Hetherington	417/63
D428,617	S *	7/2000	Hariwara	D15/7
6,168,308	B1	1/2001	Pittman et al.	366/162.3
D439,533	S *	3/2001	Wakasugi et al.	D10/85
D471,561	S *	3/2003	Kohsaka	D15/7
6,821,096	B1	11/2004	Kosmyna et al.	417/399

* cited by examiner

Primary Examiner—Ralf Seifert
(74) *Attorney, Agent, or Firm*—Fletcher Yoder

(57) **CLAIM**

The ornamental design for a pump, as shown and described.

DESCRIPTION

FIG. 1 is a perspective view of the design for the pump, wherein broken lines illustrate environmental features including flanges, a fluid inlet, and a fluid outlet;

FIG. 2 is a front elevational view of the design for the pump of FIG. 1, wherein broken lines illustrate environmental features including flanges, the fluid inlet, and the fluid outlet;

FIG. 3 is a right side elevational view of the design for the pump of FIG. 1, wherein broken lines illustrate environmental features including flanges, the fluid inlet, and the fluid outlet;

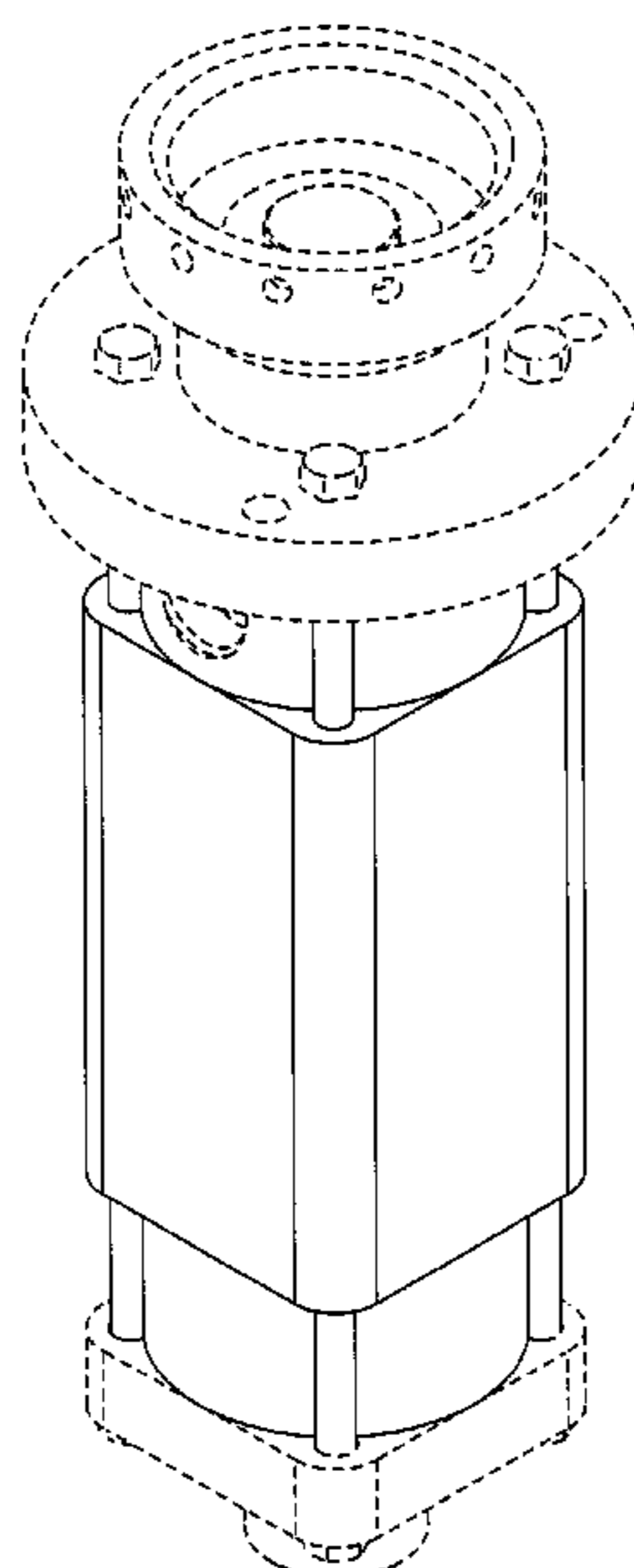
FIG. 4 is a perspective view of the design for the pump of FIG. 1, wherein broken lines illustrate environmental features including a secondary pump, a drive mechanism, a motor, and a first panel structure;

FIG. 5 is a front/right side elevational view of the design for the pump of FIG. 1, wherein broken lines illustrate environmental features including the secondary pump, the drive mechanism, the motor, and the first panel structure; and,

FIG. 6 is a front/right side elevational view of the design for the pump of FIG. 1, wherein broken lines illustrate environmental features including the motor a second panel structure that cooperates with the first panel structure to surround a portion of the secondary pump and the drive mechanism.

In these drawings, the solid lines illustrate the claimed ornamental design, whereas the broken lines illustrate environmental features that form no part of the claimed ornamental design.

1 Claim, 6 Drawing Sheets



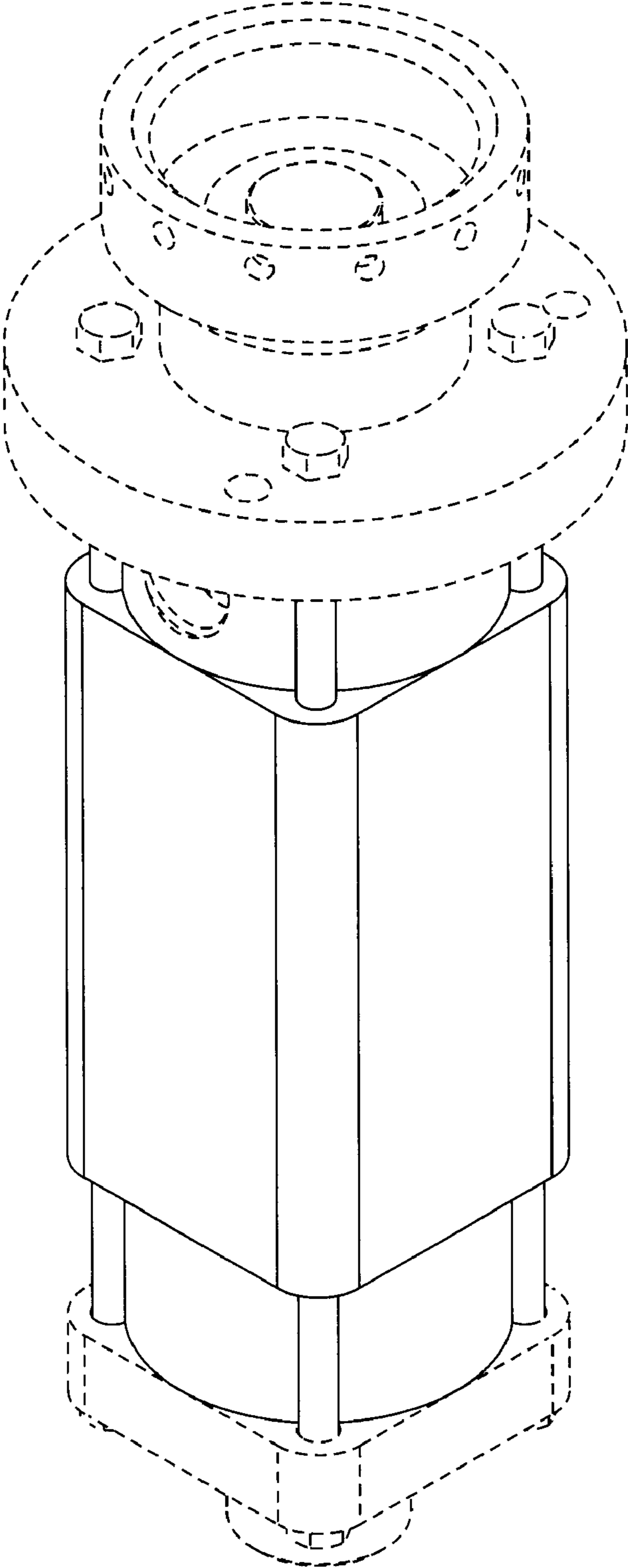


FIG. 1

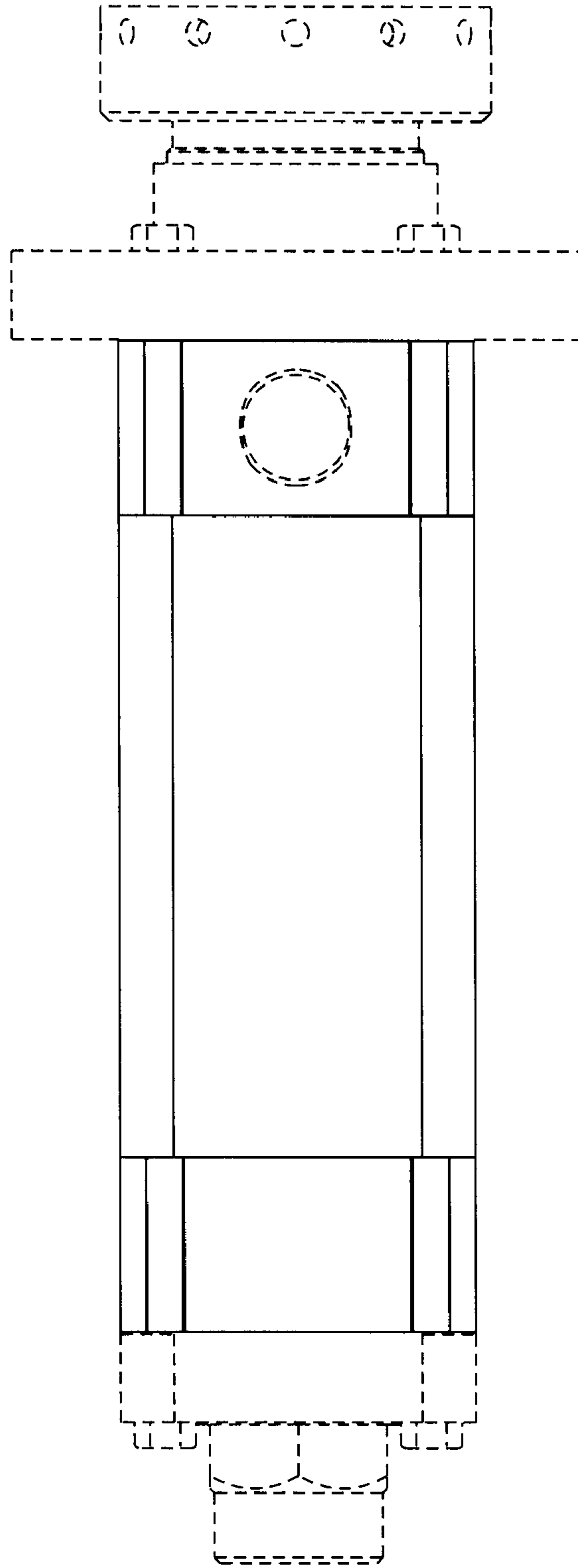


FIG. 2

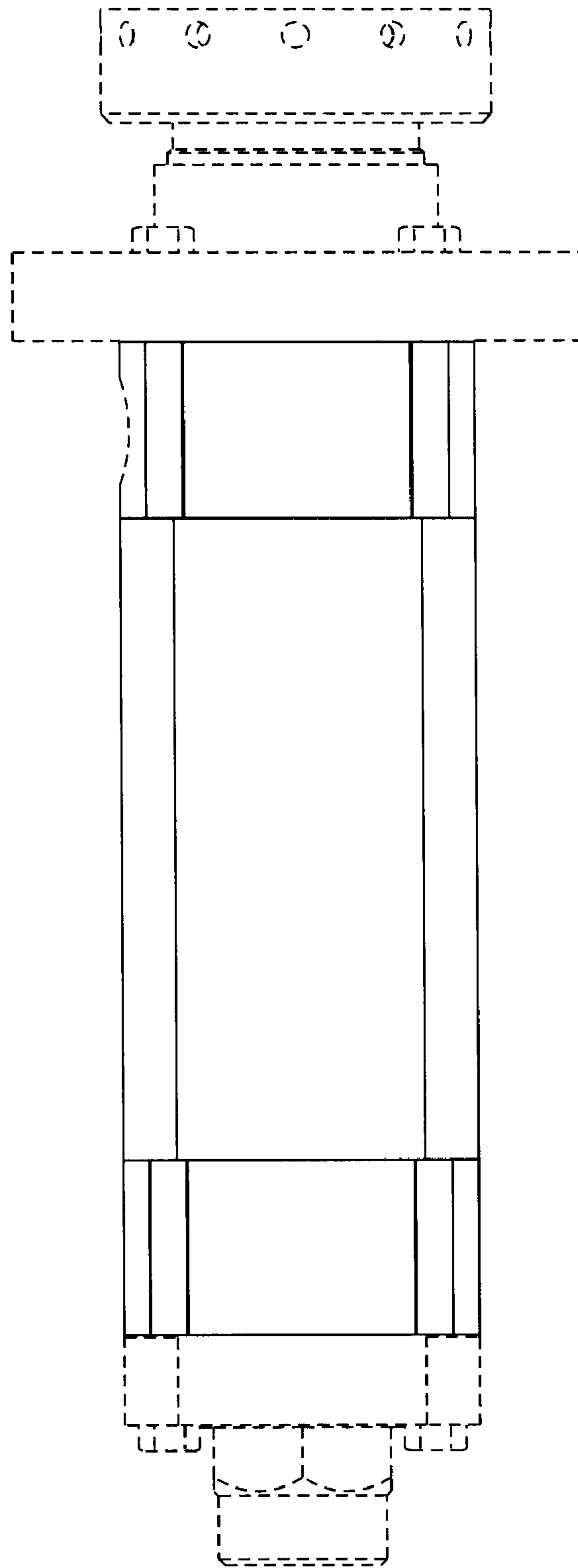


FIG. 3

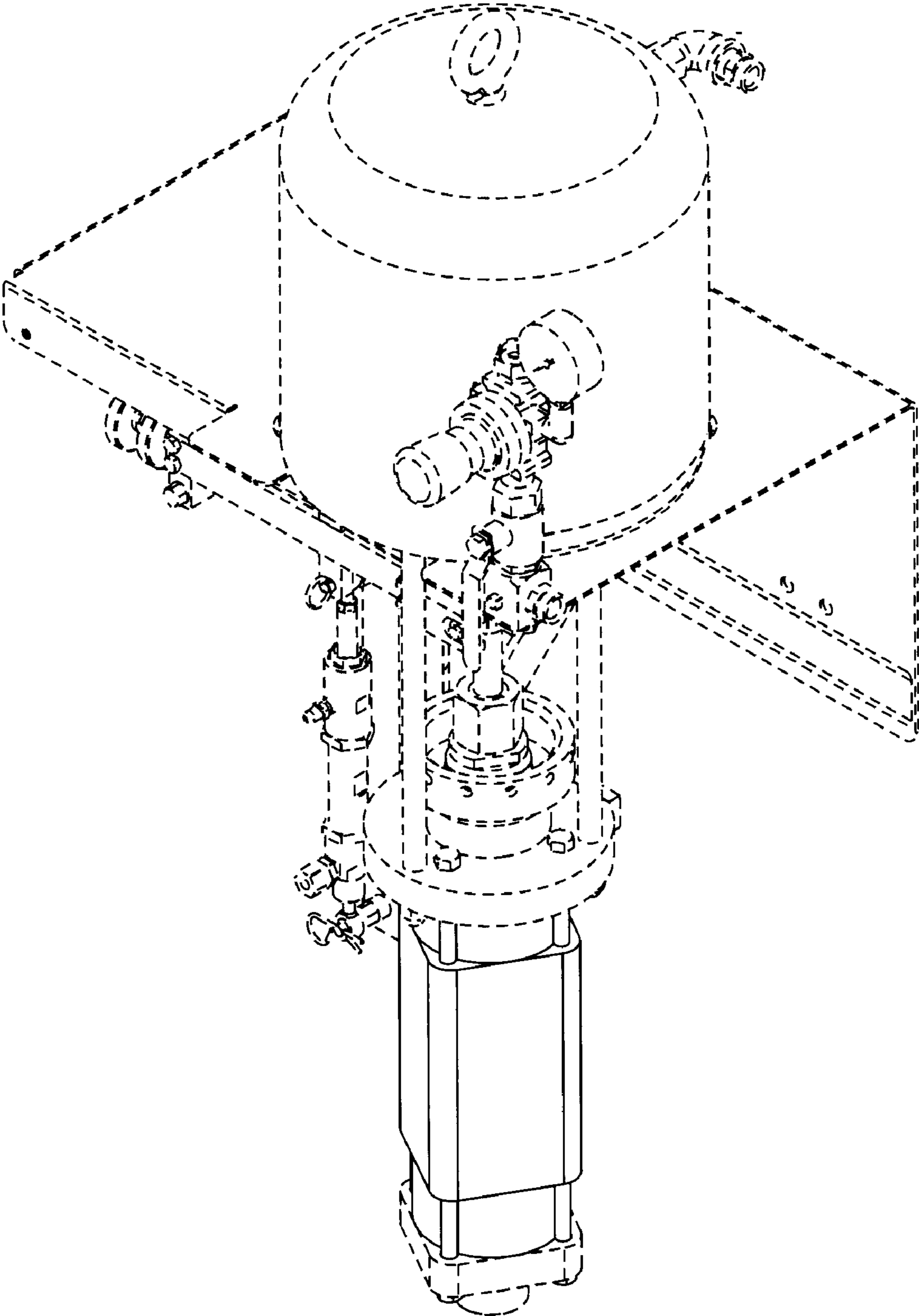


FIG. 4

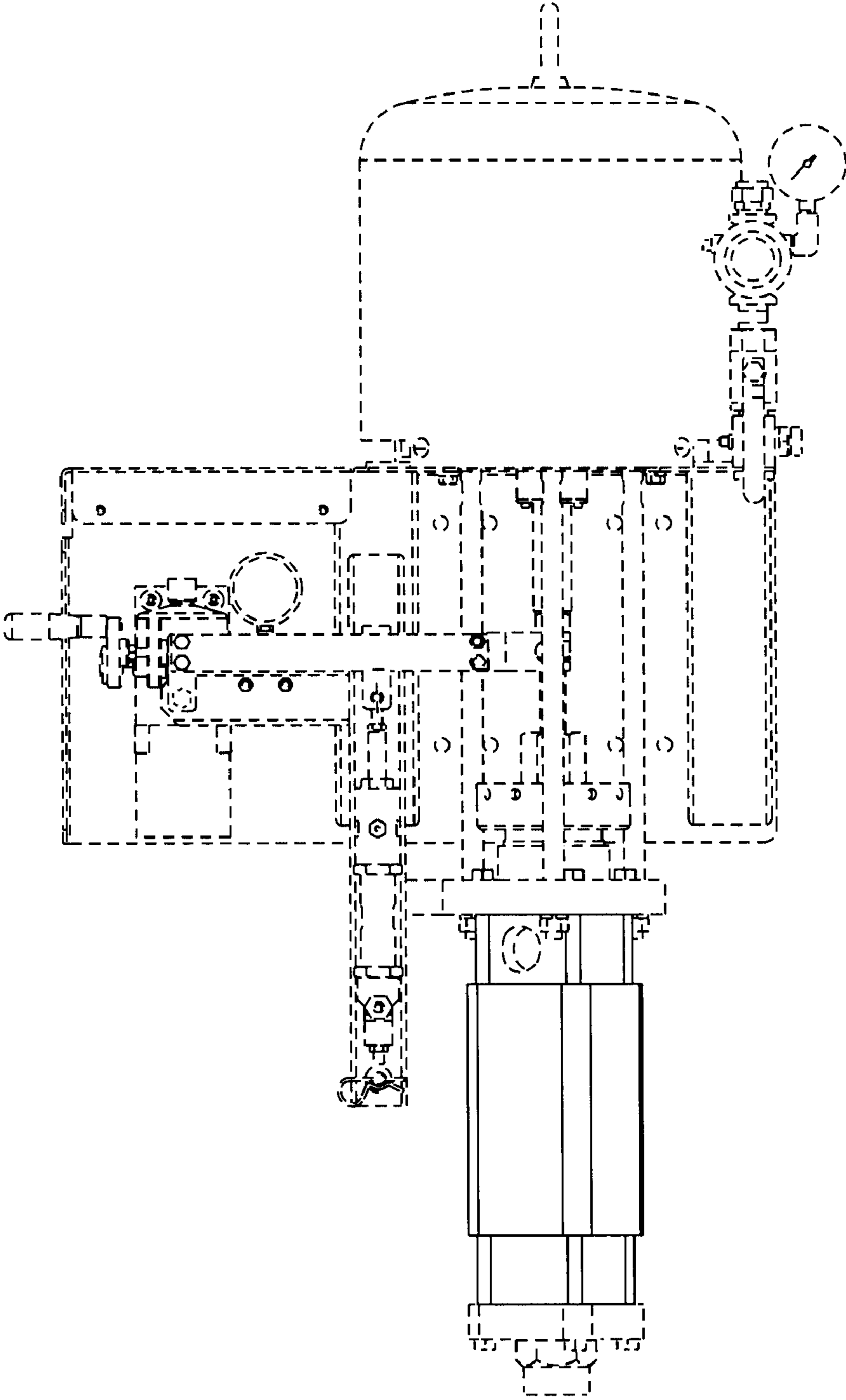


FIG. 5

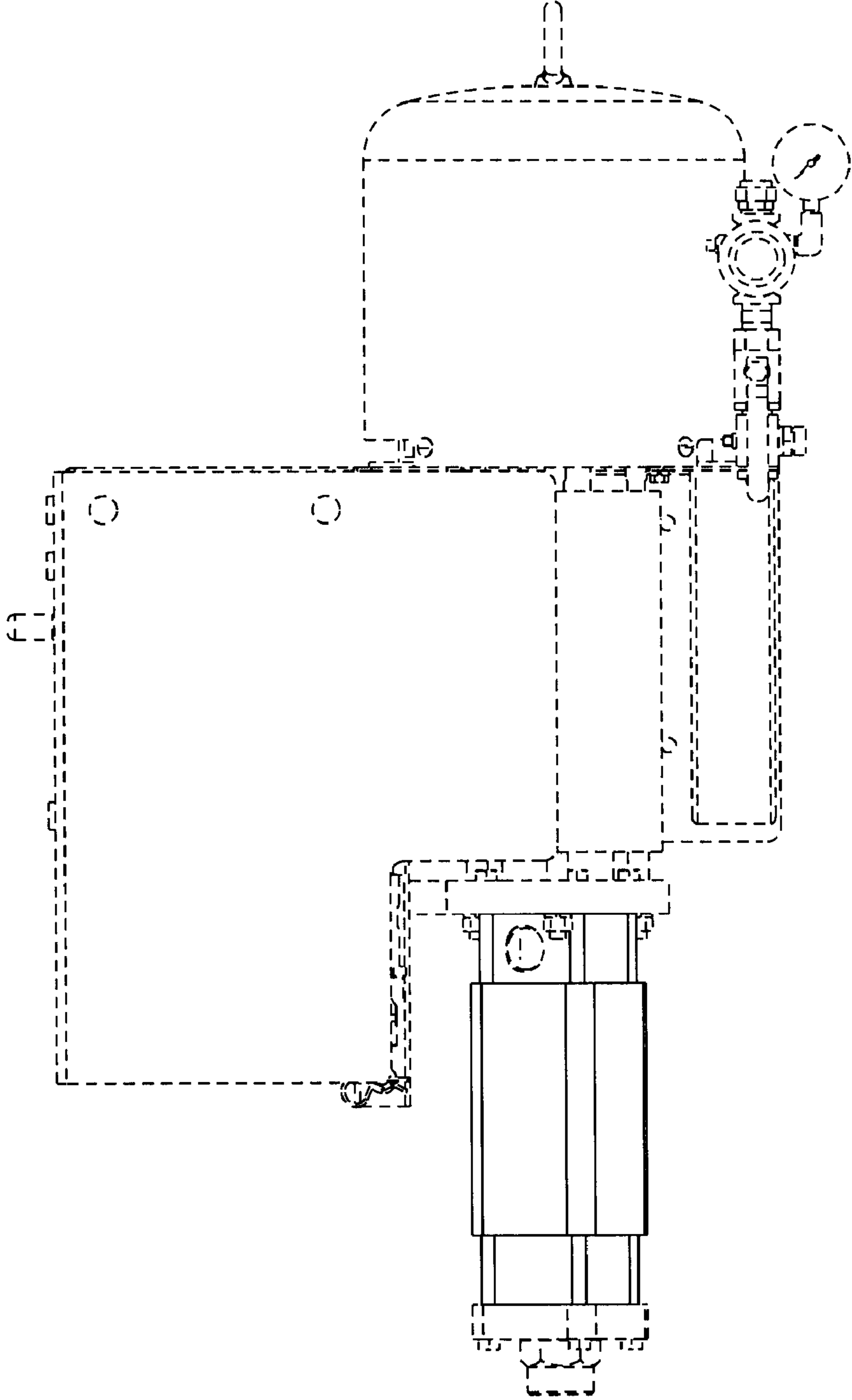


FIG. 6